



US00D940520S

(12) **United States Design Patent** (10) **Patent No.:** **US D940,520 S**
Avellanet (45) **Date of Patent:** **** Jan. 11, 2022**

- (54) **MOBILE BEVERAGE HOLDER**
- (71) Applicant: **Blue Box Ventures LLC**, Miami Lakes, FL (US)
- (72) Inventor: **Alejandra Avellanet**, Miami Lakes, FL (US)
- (73) Assignee: **BLUE BOX VENTURES LLC**, Miami Lakes, FL (US)
- (**) Term: **15 Years**
- (21) Appl. No.: **29/726,470**
- (22) Filed: **Mar. 3, 2020**

6,390,431	B1	5/2002	Ott	
6,409,137	B1	6/2002	Tran	
6,749,204	B2	7/2004	Werner	
7,510,157	B2	3/2009	Oliver	
D650,639	S *	12/2011	Freese	D7/620
8,235,190	B2	8/2012	Porte et al.	
8,485,327	B1	6/2013	Dalrymple	
9,114,734	B2	8/2015	Hackney	
D777,441	S *	1/2017	Li	D3/318
D777,528	S *	1/2017	Landphere	D7/620
9,578,939	B2	2/2017	Nebeling	
10,959,557	B1 *	3/2021	Nazarian	A47G 23/0641
2006/0037825	A1	2/2006	Dayton et al.	
2007/0007425	A1 *	1/2007	Perotti	A47G 23/0225 248/530
2011/0139948	A1	6/2011	Bergin	
2013/0075351	A1 *	3/2013	Lueker	A47G 23/0225 211/26
2014/0110202	A1	4/2014	Vesterby	
2014/0299428	A1	10/2014	Gadbois	
2016/0227949	A1 *	8/2016	Klugh	A45C 13/28
2018/0023887	A1 *	1/2018	Oh	F25D 17/06 62/3.3

Related U.S. Application Data

- (63) Continuation-in-part of application No. 16/751,939, filed on Jan. 24, 2020.
- (51) **LOC (13) Cl.** **07-06**
- (52) **U.S. Cl.**
USPC **D7/701**; D3/318
- (58) **Field of Classification Search**
USPC D7/619.1-625; D3/8, 10, 318, 328;
D12/419
CPC ... A45C 2200/20; A45C 13/001; A45C 11/20;
A45G 23/0225; A45G 23/0641; A45G
23/06; A45G 23/02; A45G 23/0208;
A45G 23/0241; A45G 23/0216; A45F
5/00; A47C 7/622; B60N 3/103
See application file for complete search history.

* cited by examiner

Primary Examiner — Terry A Wallace
(74) *Attorney, Agent, or Firm* — Malloy & Malloy, PL

(57) **CLAIM**

The ornamental design for a mobile beverage holder, as shown and described.

DESCRIPTION

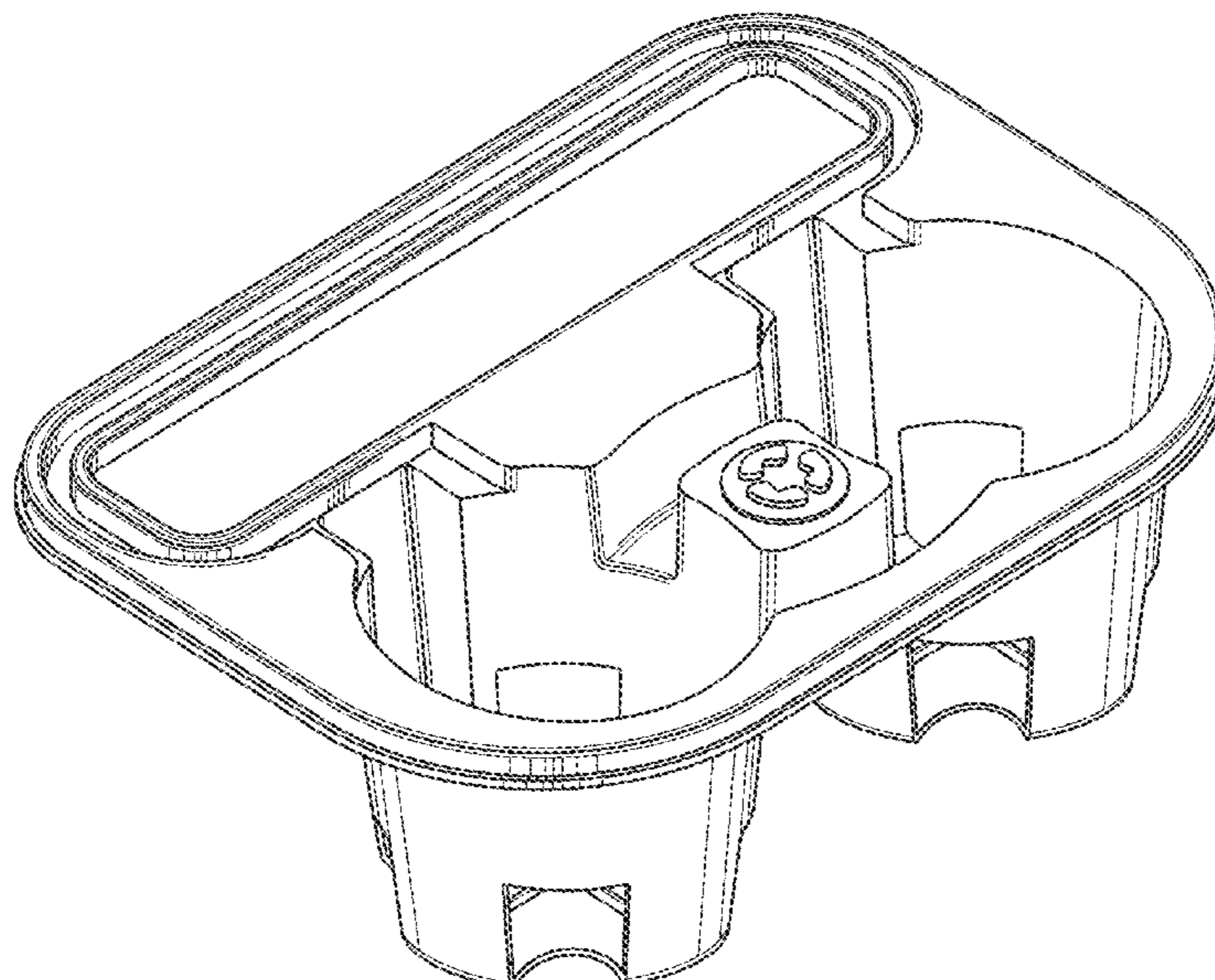
FIG. 1 is a front perspective view illustrating a mobile beverage holder;
FIG. 2 is a front elevation view thereof;
FIG. 3 is a right side elevation view thereof;
FIG. 4 is a top plan view thereof;
FIG. 5 is a left side elevation view thereof;
FIG. 6 is a bottom plan view thereof; and,
FIG. 7 is a rear elevation thereof.

1 Claim, 7 Drawing Sheets

(56) **References Cited**

U.S. PATENT DOCUMENTS

- 4,560,128 A * 12/1985 Willeby A47G 23/0225
248/230.4
- D417,763 S * 12/1999 Monem D34/27
- 6,076,876 A 6/2000 Letourneau et al.



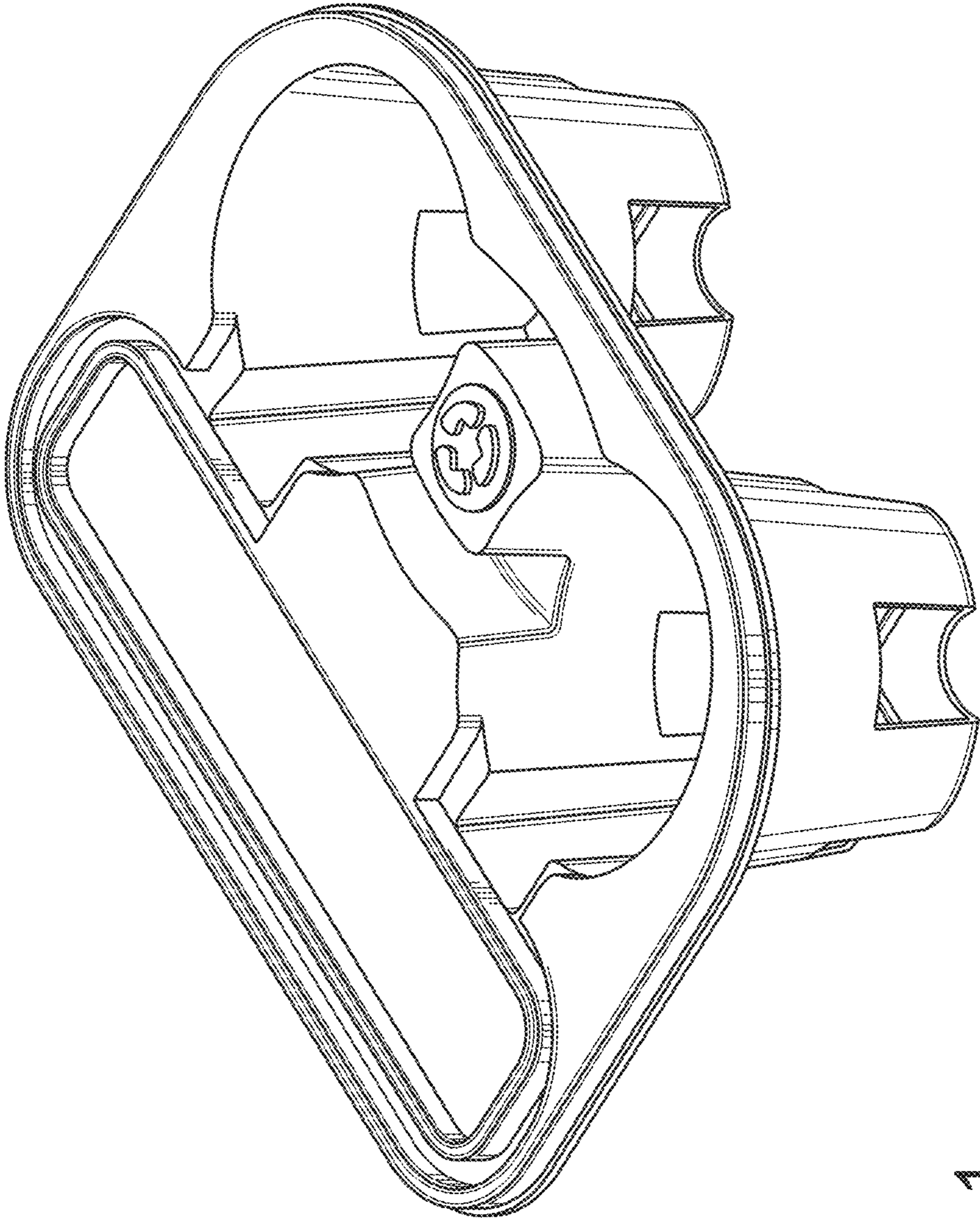


FIG. 1

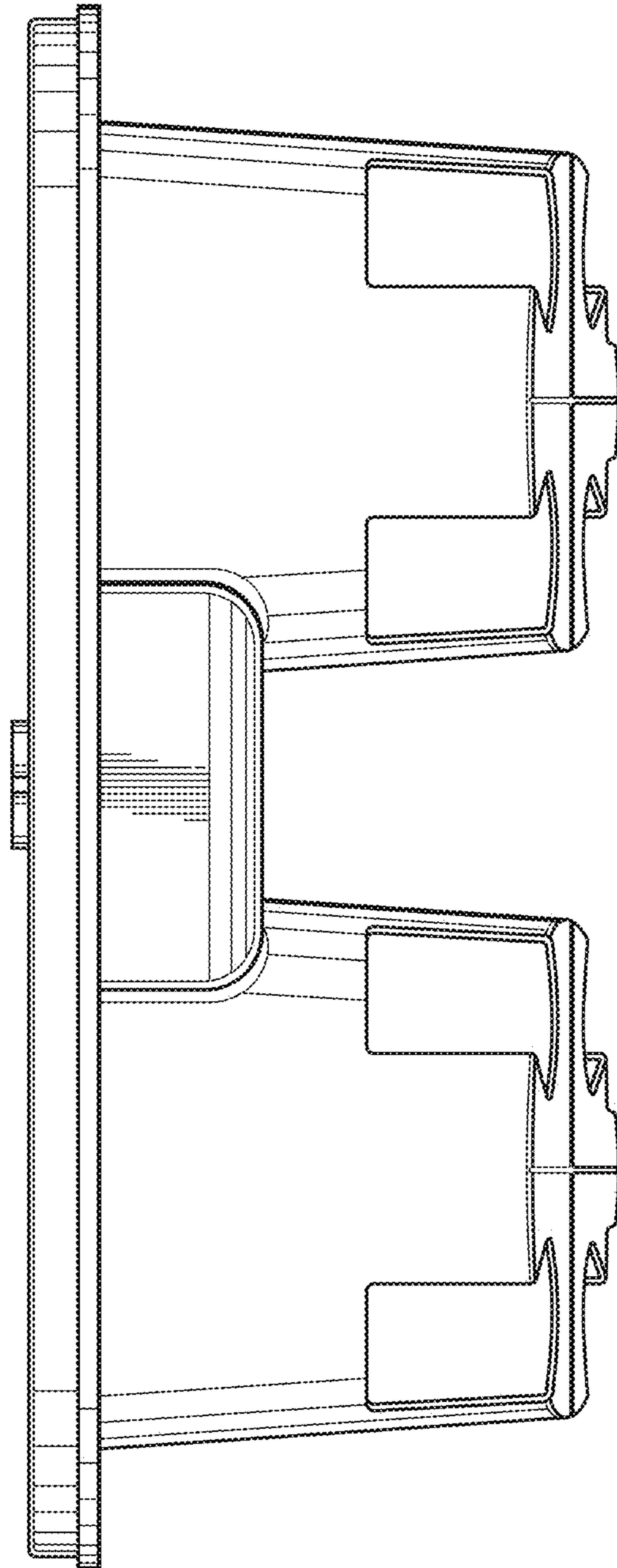


FIG. 2

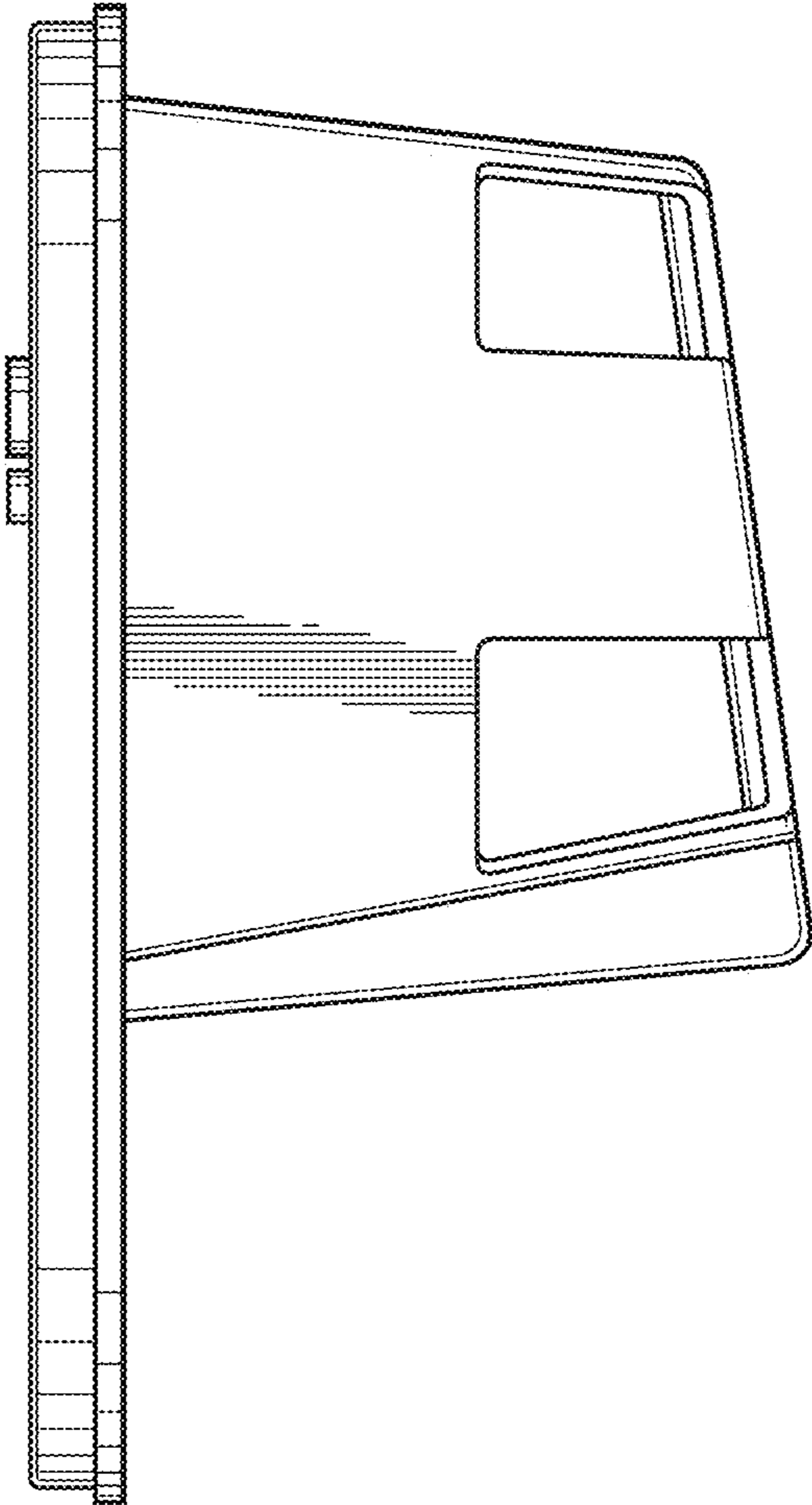


FIG. 3

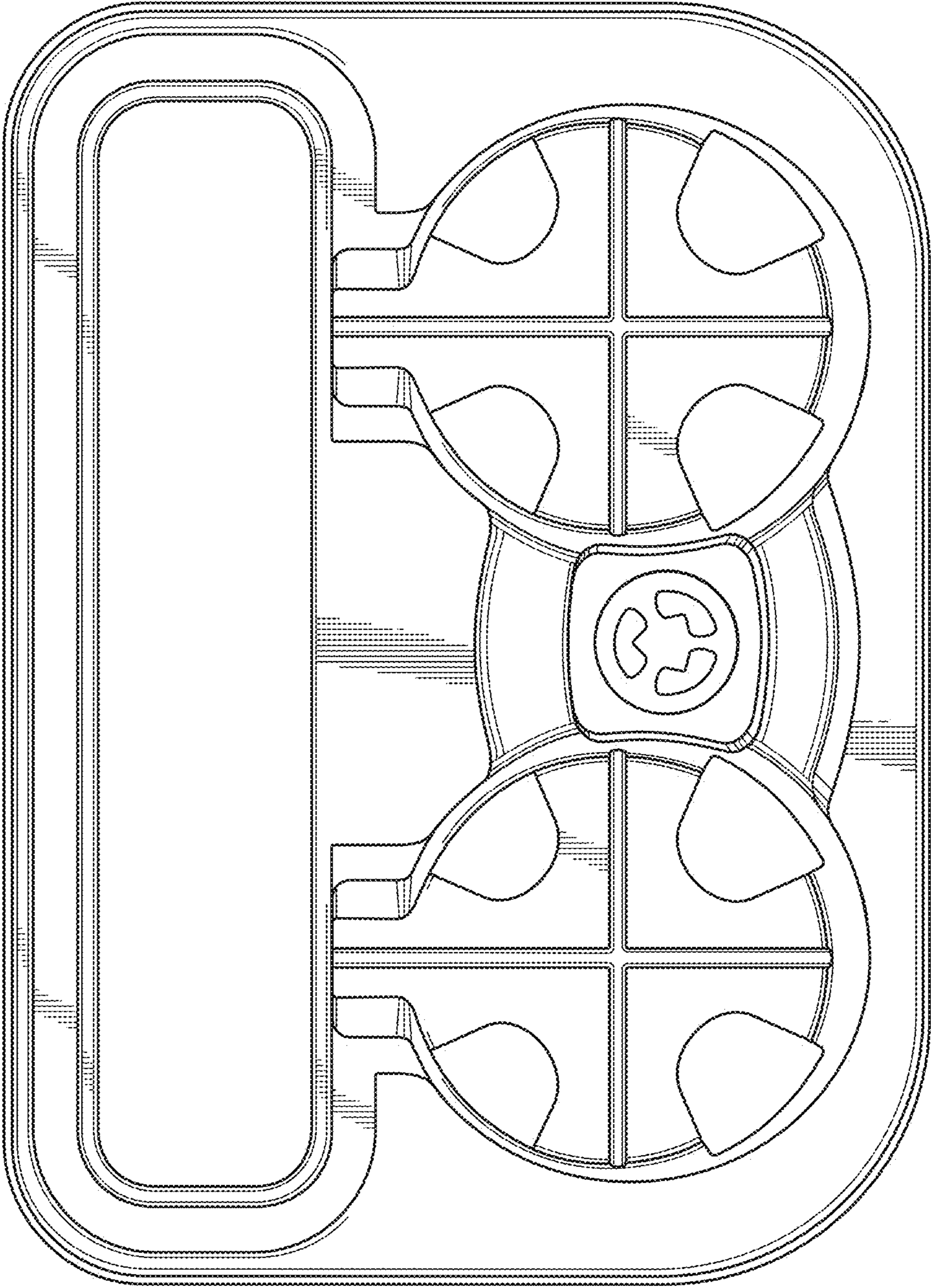


FIG. 4

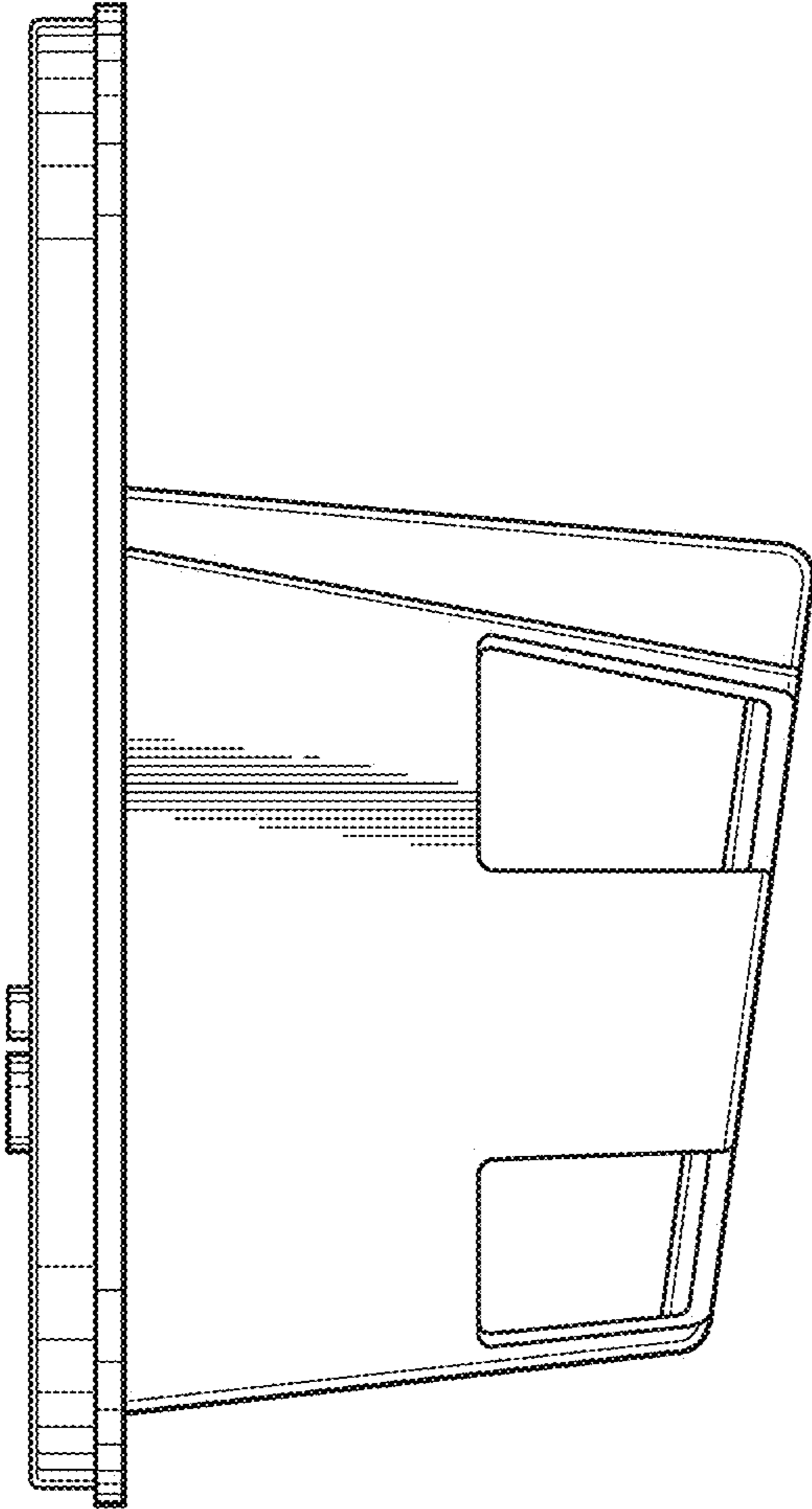


FIG. 5

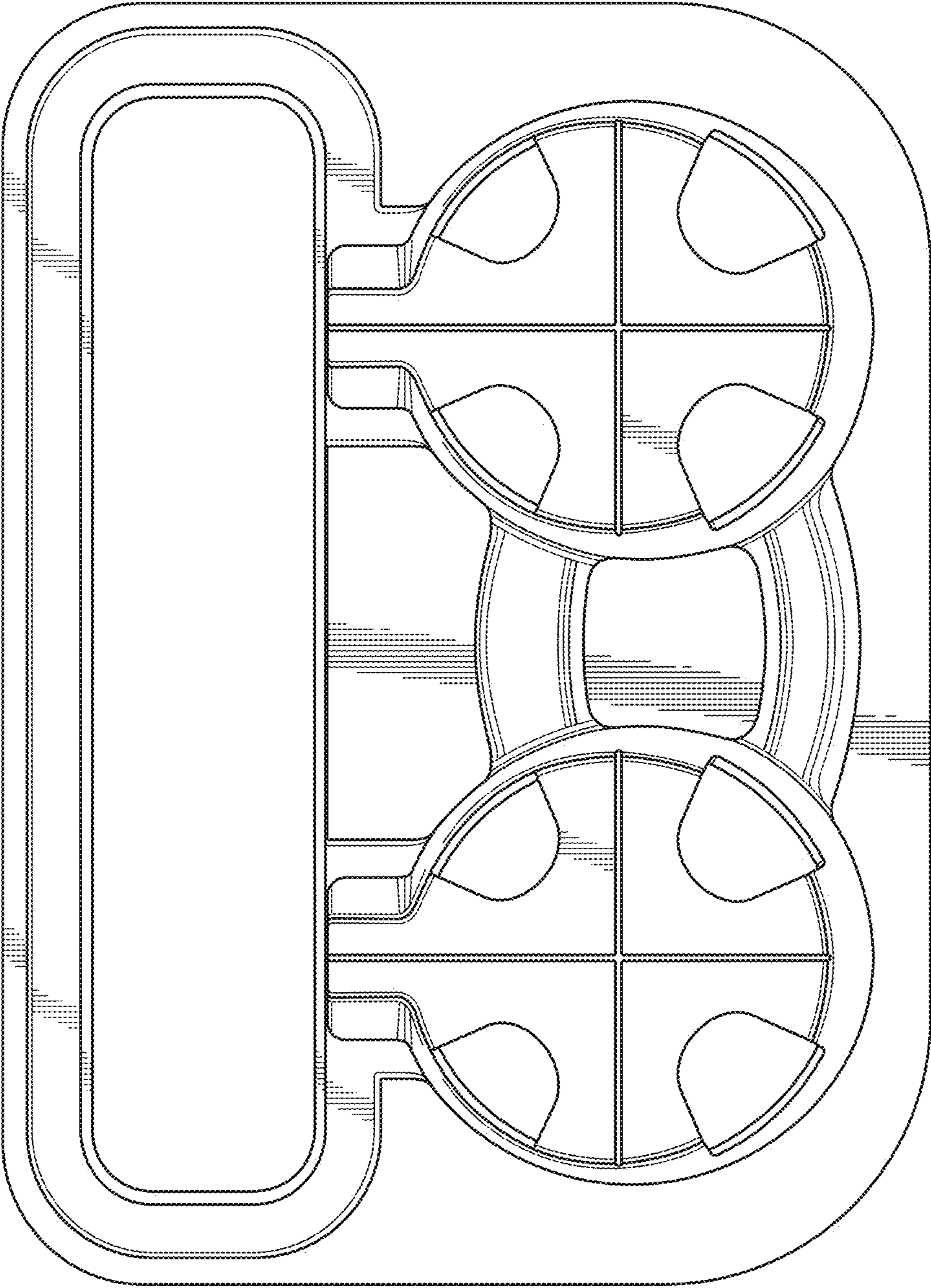


FIG. 6

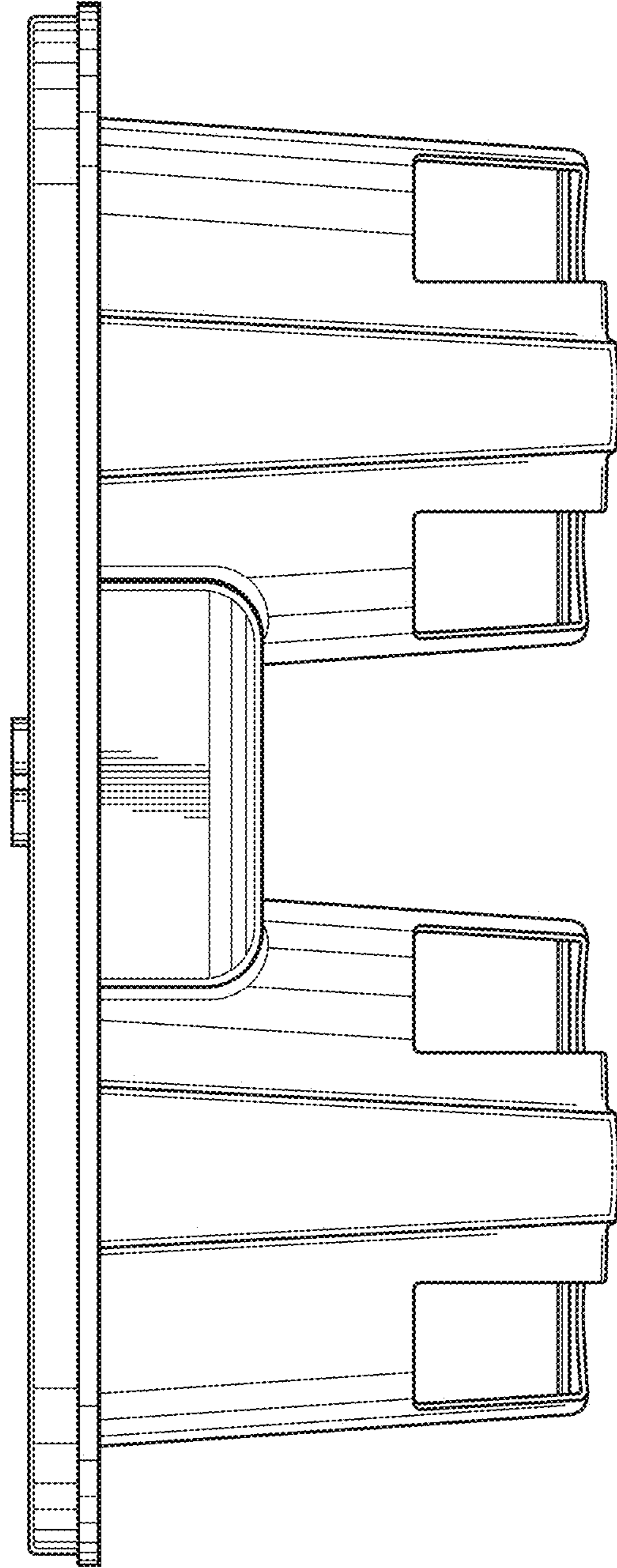


FIG. 7