



US00D940516S

(12) **United States Design Patent** (10) **Patent No.:** **US D940,516 S**
Edge et al. (45) **Date of Patent:** **** Jan. 11, 2022**

(54) **INFANT FEEDING DEVICE**
(71) Applicant: **EZTOTZ, LLC**, Xenia, OH (US)
(72) Inventors: **Matthew Edge**, Xenia, OH (US);
Kenneth Edge, Xenia, OH (US)
(73) Assignee: **EZTOTZ, LLC**, Xenia, OH (US)
(**) Term: **15 Years**
(21) Appl. No.: **29/738,064**

(22) Filed: **Jun. 15, 2020**
(51) **LOC (13) Cl.** **07-03**
(52) **U.S. Cl.**
USPC **D7/653**; D7/401.2
(58) **Field of Classification Search**
USPC D7/368, 401.2, 642-647, 653-664, 669,
D7/675-677, 683, 688-689, 691;
D8/107, 300-301; D21/525;
D22/117-118
CPC ... A01D 9/02; A01D 9/04; A01D 9/06; A47G
21/00; A47G 21/004; A47G 21/005;
A47G 21/02; A47G 21/023; A47G 21/04;
A47G 21/06; A47G 21/08; A47G 19/16;
A47J

(Continued)

(56) **References Cited**
U.S. PATENT DOCUMENTS
1,367,568 A * 2/1921 Smith A47G 19/16
99/323
D188,620 S * 8/1960 Latham D7/647

(Continued)

OTHER PUBLICATIONS

ChooMee Silicone Baby Spoons. Latest Date reviewed on Amazon.com Dec. 15, 2019. <https://www.amazon.com/ChooMee-FlexiDip-Silicone-Teething-Friendly/dp/B01LDIJVAM/ref> (Year: 2019).*

(Continued)

Primary Examiner — Ricky Pham
(74) *Attorney, Agent, or Firm* — Porter Wright Morris & Arthur LLP

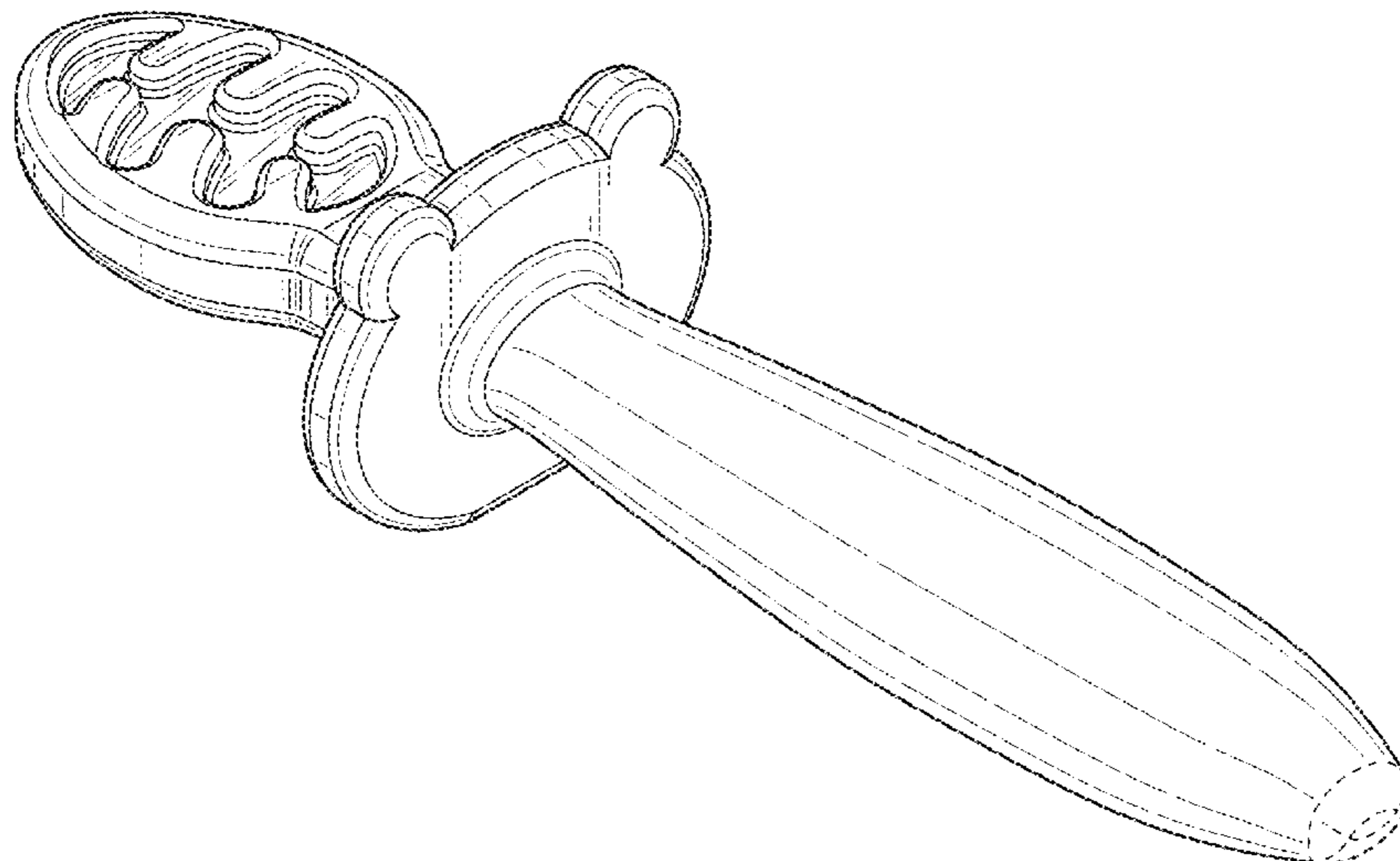
(57) **CLAIM**

The ornamental design for an infant feeding device, as shown and described.

DESCRIPTION

FIG. 1 is a perspective view of an infant feeding device according to one embodiment of our new design; FIG. 2 is a front view of the infant feeding device of FIG. 1; FIG. 3 is a rear view of the infant feeding device of FIG. 1; FIG. 4 is a left side view of the infant feeding device of FIG. 1; FIG. 5 is a right side view of the infant feeding device of FIG. 1; FIG. 6 is a top view of the infant feeding device of FIG. 1; FIG. 7 is a bottom view of the infant feeding device of FIG. 1; FIG. 8 is a perspective view of an infant feeding device according to an alternative embodiment of our new design; FIG. 9 is a front view of the infant feeding device of FIG. 8; FIG. 10 is a rear view of the infant feeding device of FIG. 8; FIG. 11 is a left side view of the infant feeding device of FIG. 8; FIG. 12 is a right side view of the infant feeding device of FIG. 8; FIG. 13 is a top view of the infant feeding device of FIG. 8; and, FIG. 14 is a bottom view of the infant feeding device of FIG. 8. The broken lines shown in the figures are for illustrative purposes, and form no part of the claimed design.

1 Claim, 12 Drawing Sheets



(58) **Field of Classification Search**

CPC 43/28; A47J 43/281; A47J 43/282; A61F
13/10; A61J 7/0023; A61J 17/107; B25G
1/00; B25G 1/01; B25G 1/02; B25G
3/00; B65D 75/56; B65D 75/563; B65D
75/566; B67B 7/00; B67B 7/724; B67B
7/73; A61C 13/097

See application file for complete search history.

(56) **References Cited**

U.S. PATENT DOCUMENTS

3,755,895 A * 9/1973 Claasen A61C 13/097
30/326
D309,236 S * 7/1990 Cheng D7/647
D339,036 S * 9/1993 McDaniel D7/643
6,134,790 A * 10/2000 Watson A47G 21/02
30/295
D491,420 S * 6/2004 Shibata D7/653
8,211,144 B2 * 7/2012 Rohrig A46B 5/023
606/235
D707,307 S * 6/2014 Roehrig D21/525
D790,929 S * 7/2017 Perez D7/653
D800,515 S * 10/2017 Gonterman A47J 43/28
D7/653
D808,744 S 1/2018 Hammi et al.
D917,240 S * 4/2021 Seagren D7/653
2014/0130359 A1 5/2014 Gonterman et al.

OTHER PUBLICATIONS

Photographs and marketing material for numnum® Pre-Spoon
GOOtensils™, from Amazon.com website, May 2020.

* cited by examiner

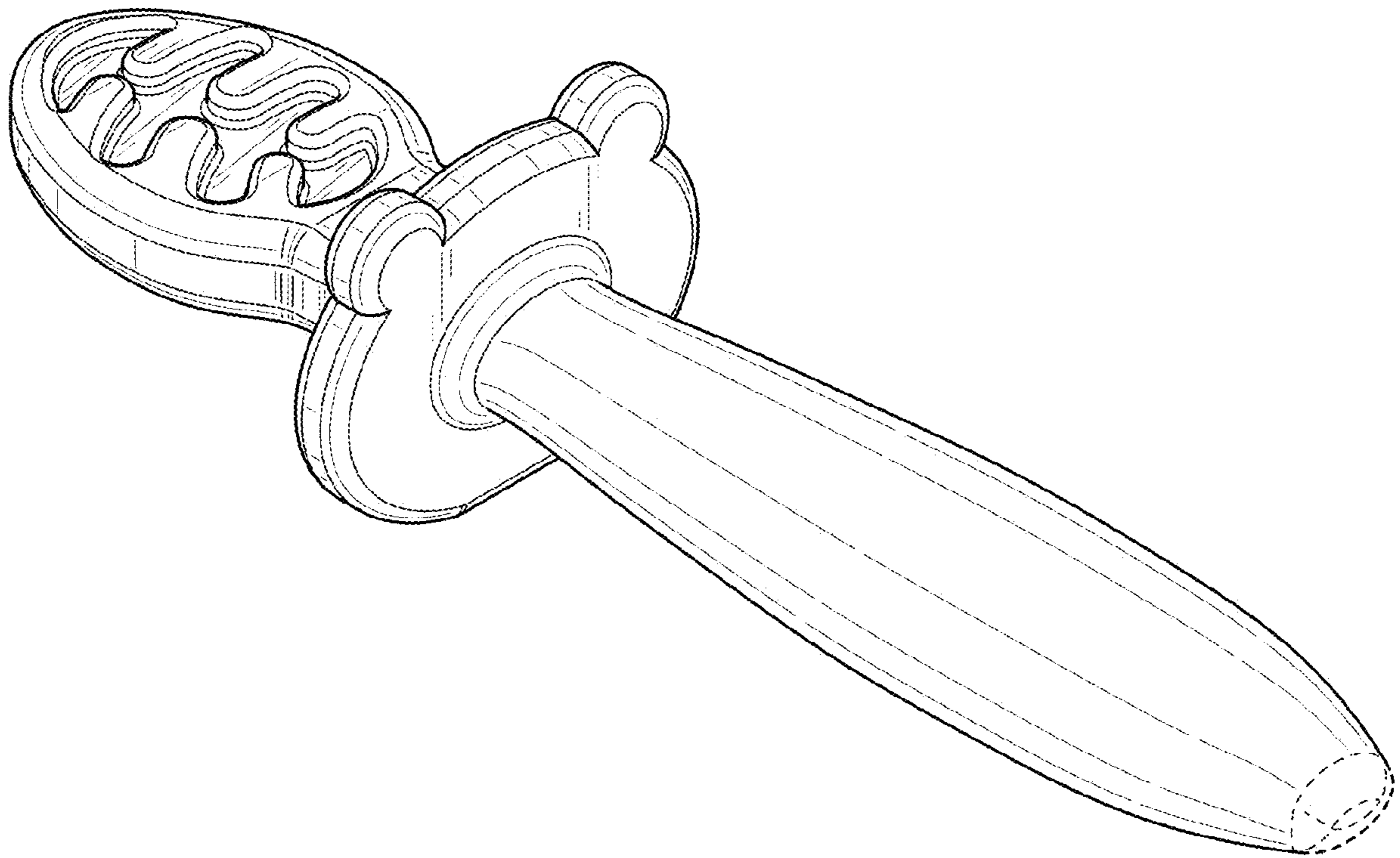


FIG. 1

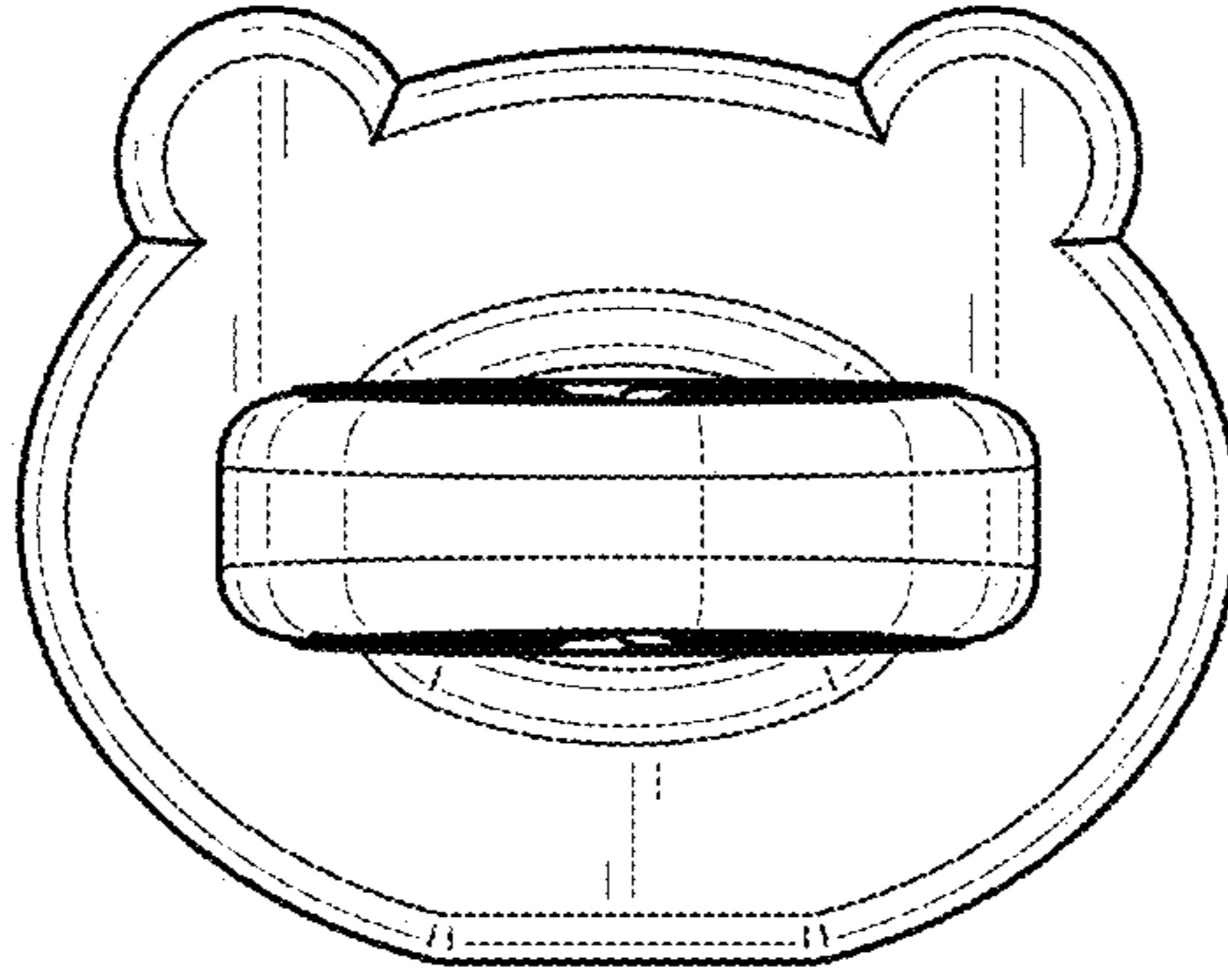


FIG. 2

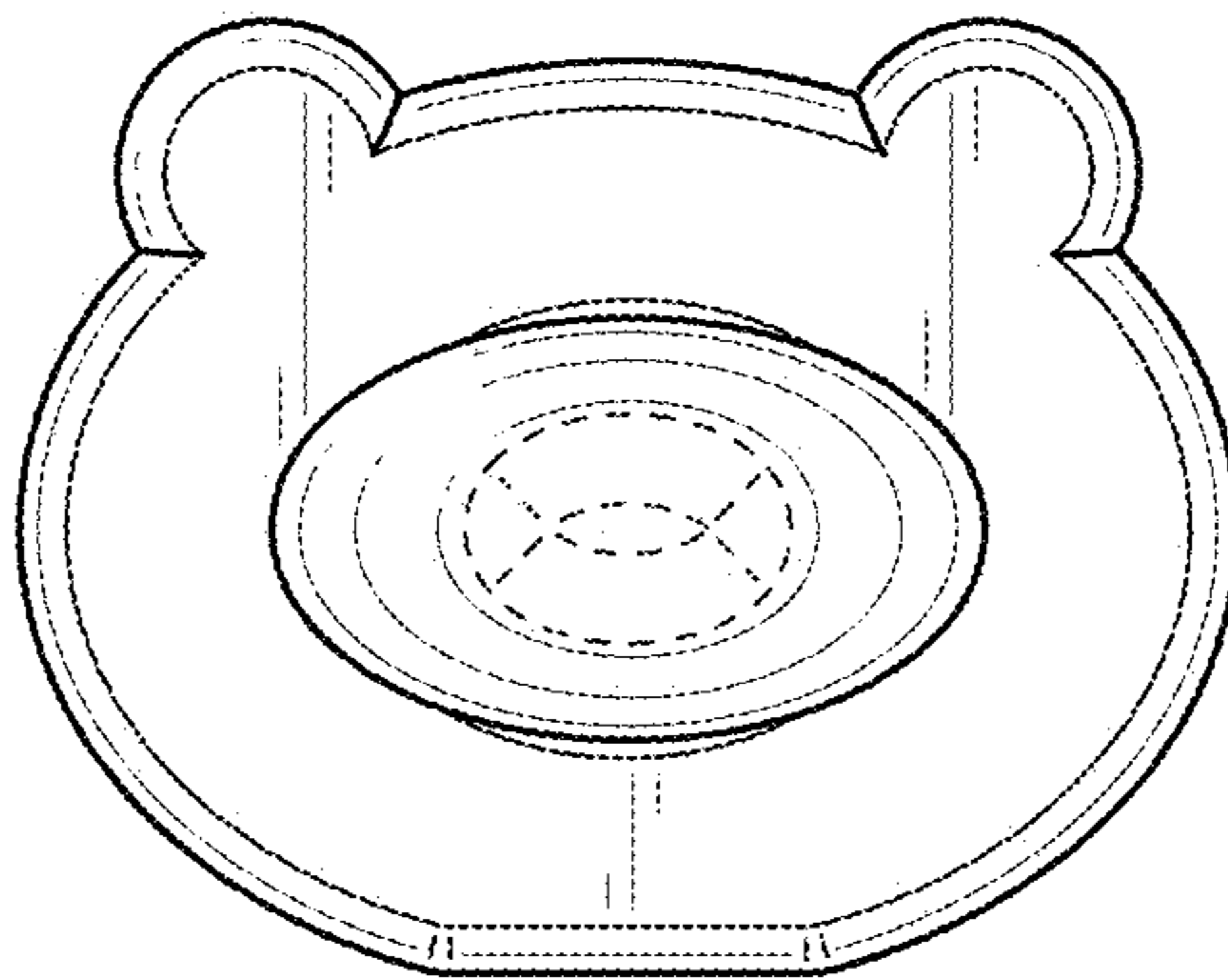


FIG. 3

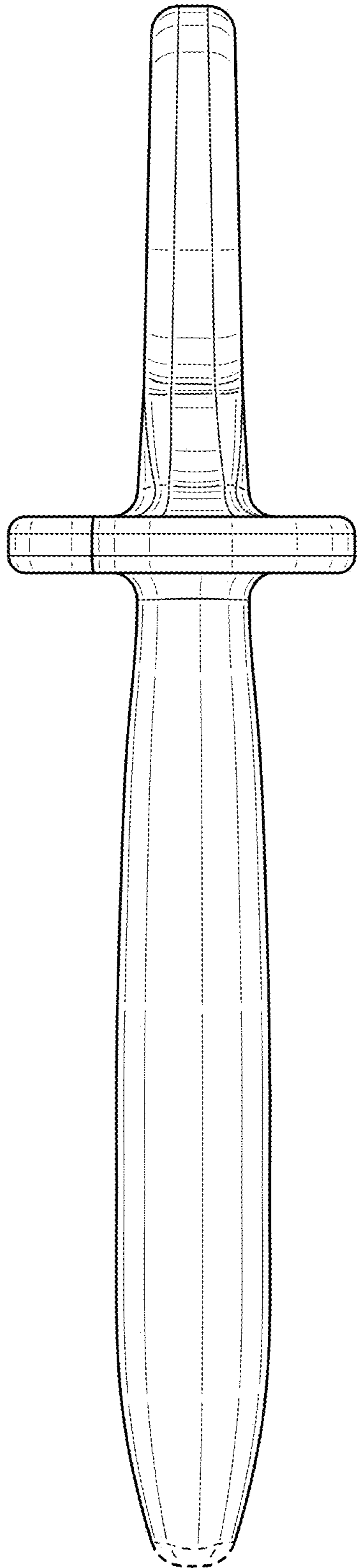


FIG. 4

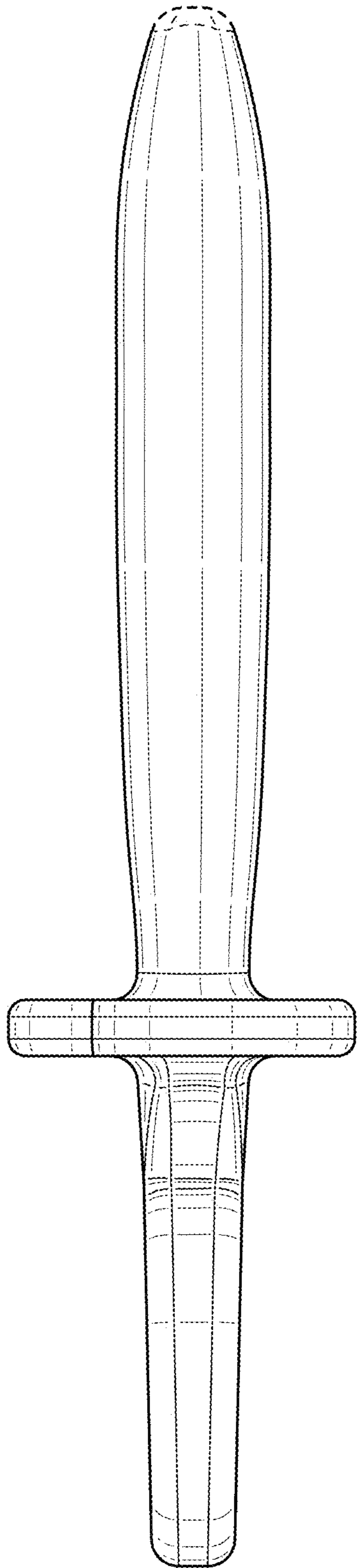


FIG. 5

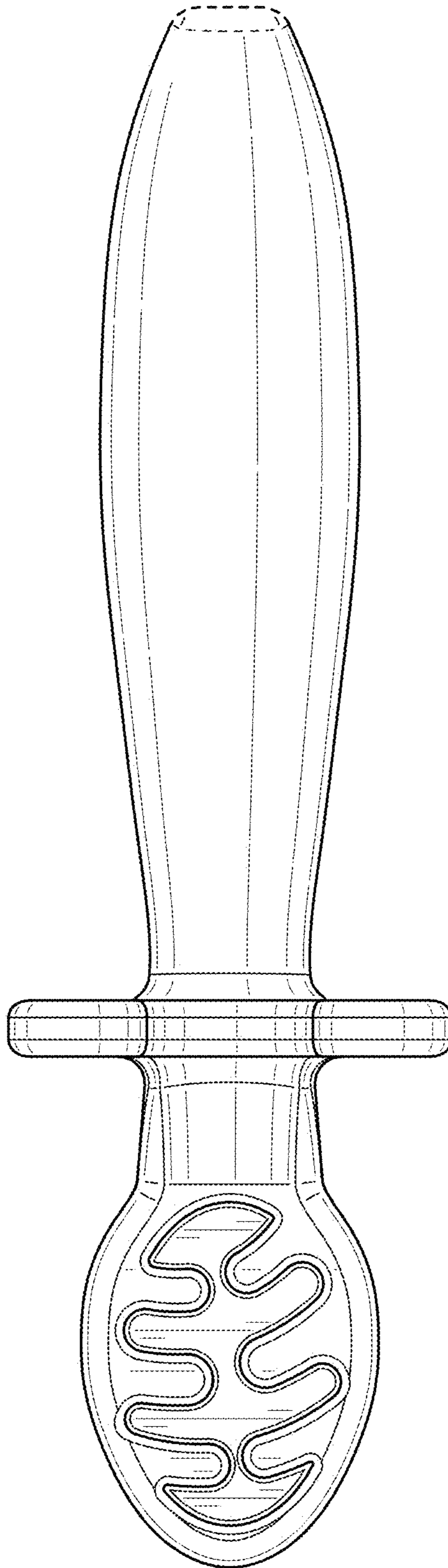


FIG. 6

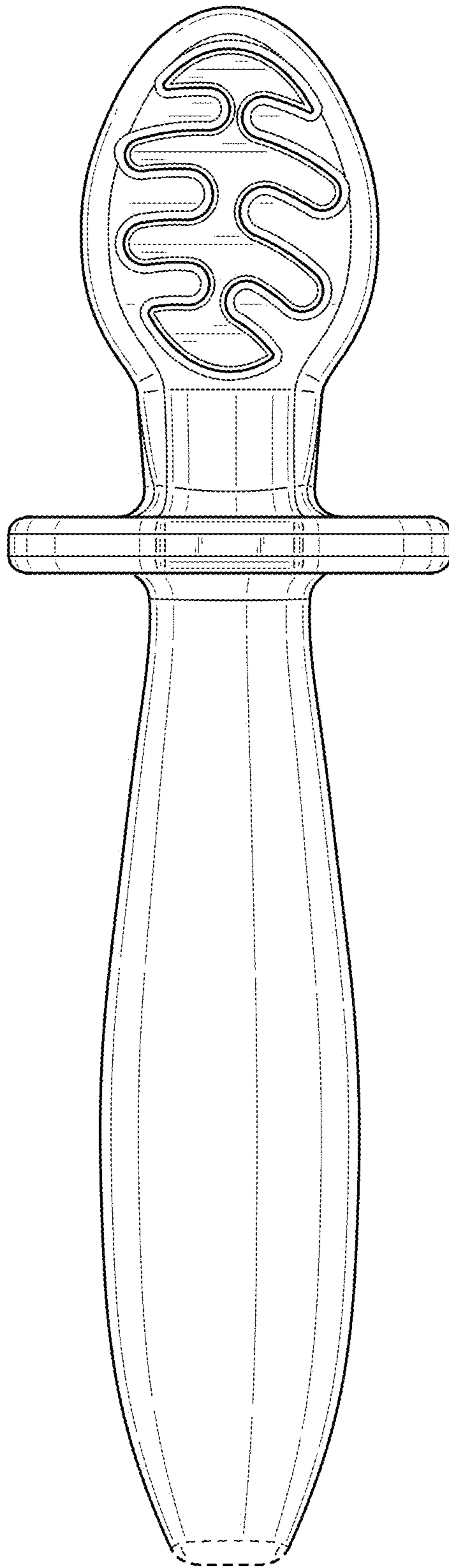


FIG. 7

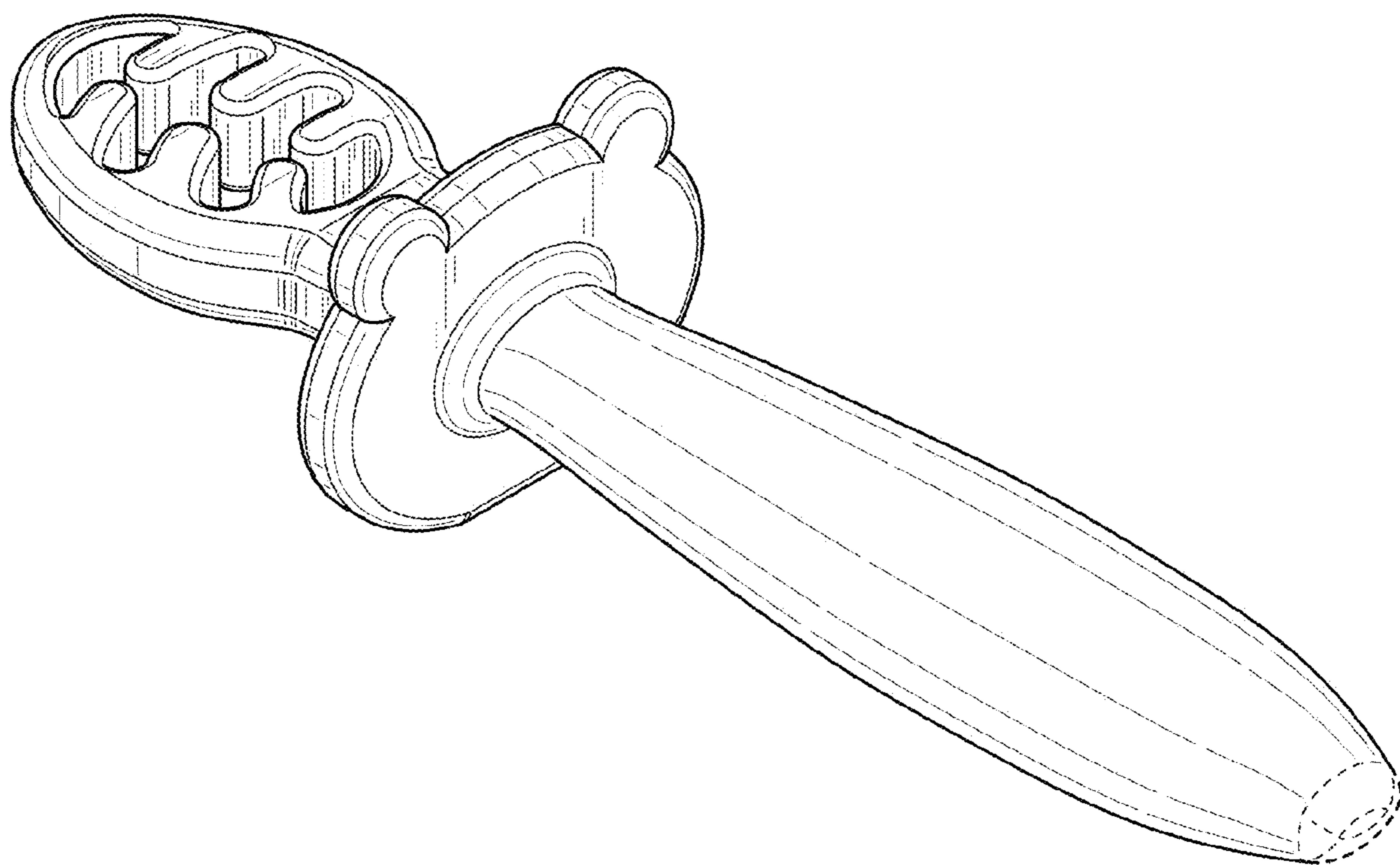


FIG. 8

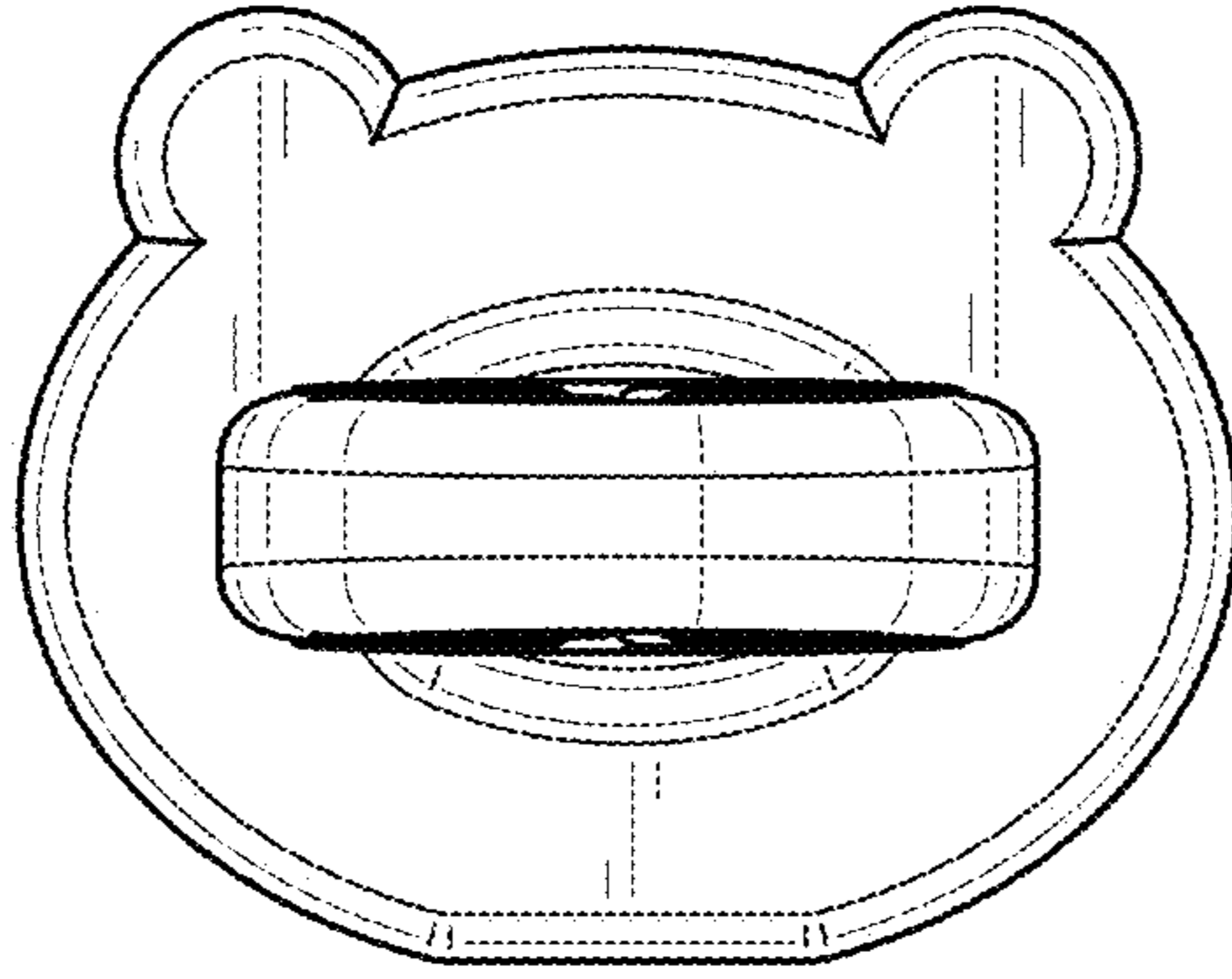


FIG. 9

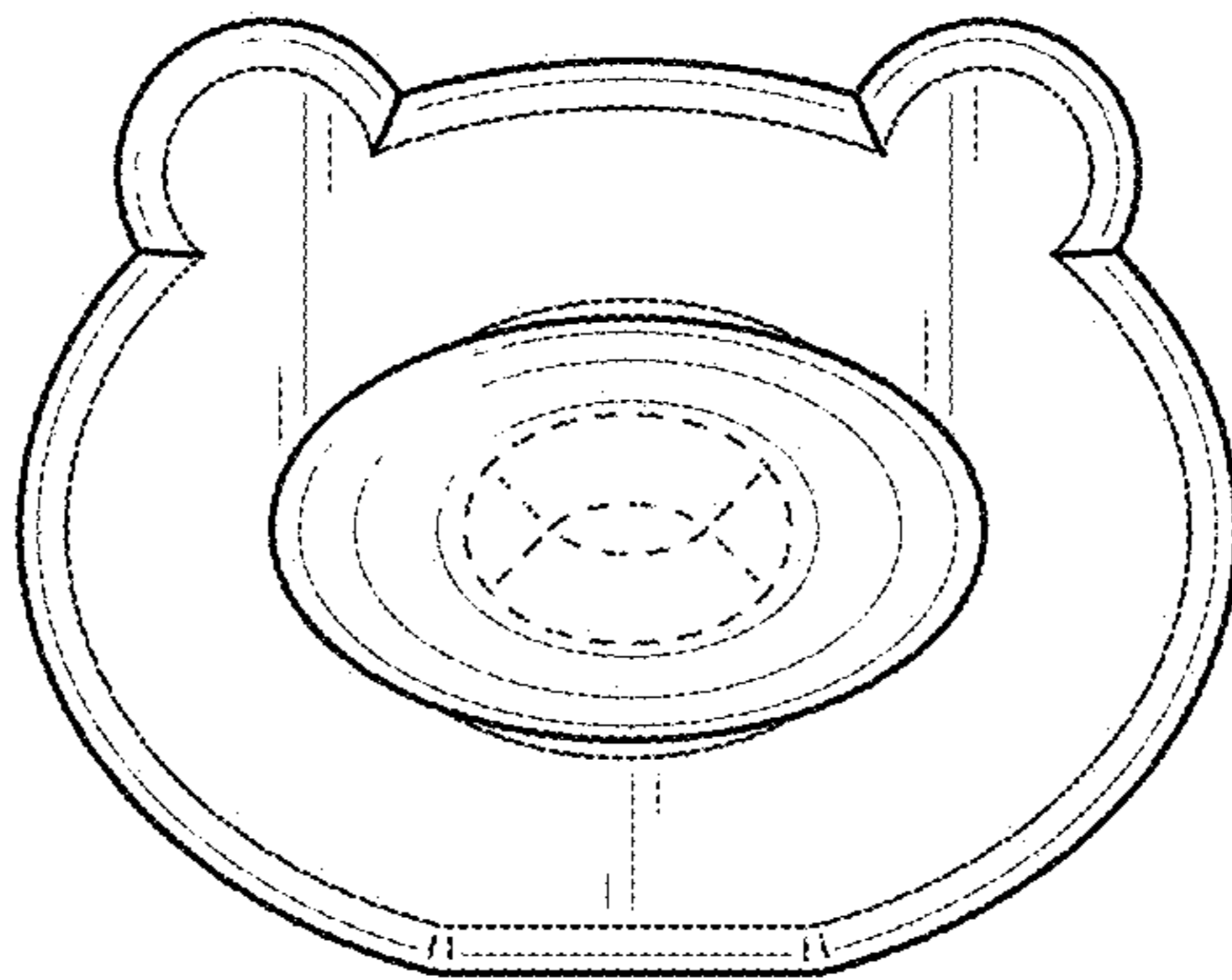


FIG. 10

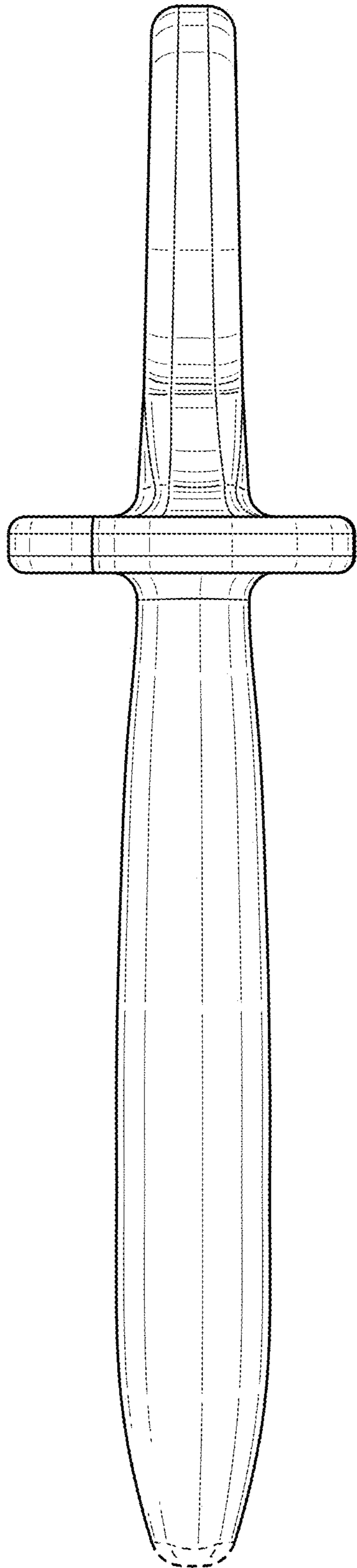


FIG. 11

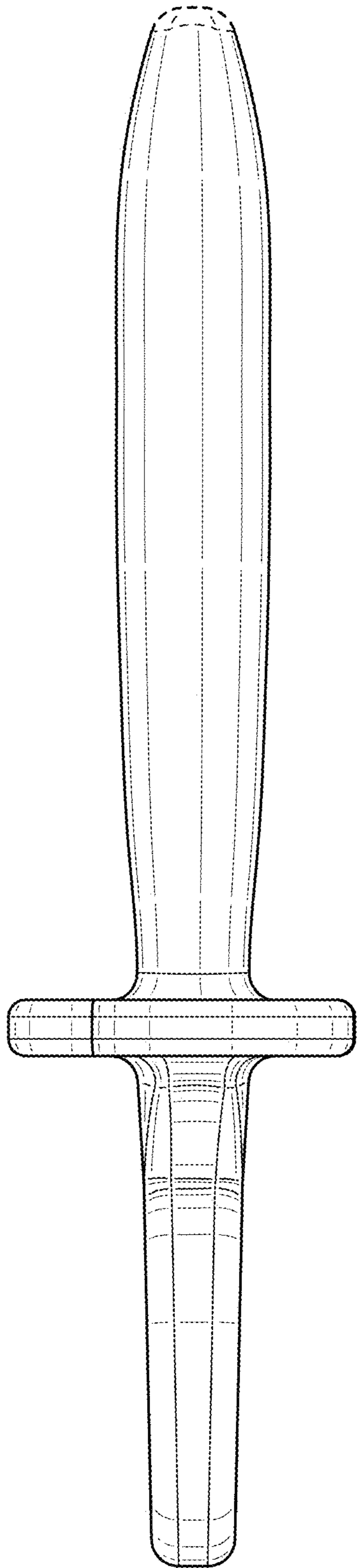


FIG. 12

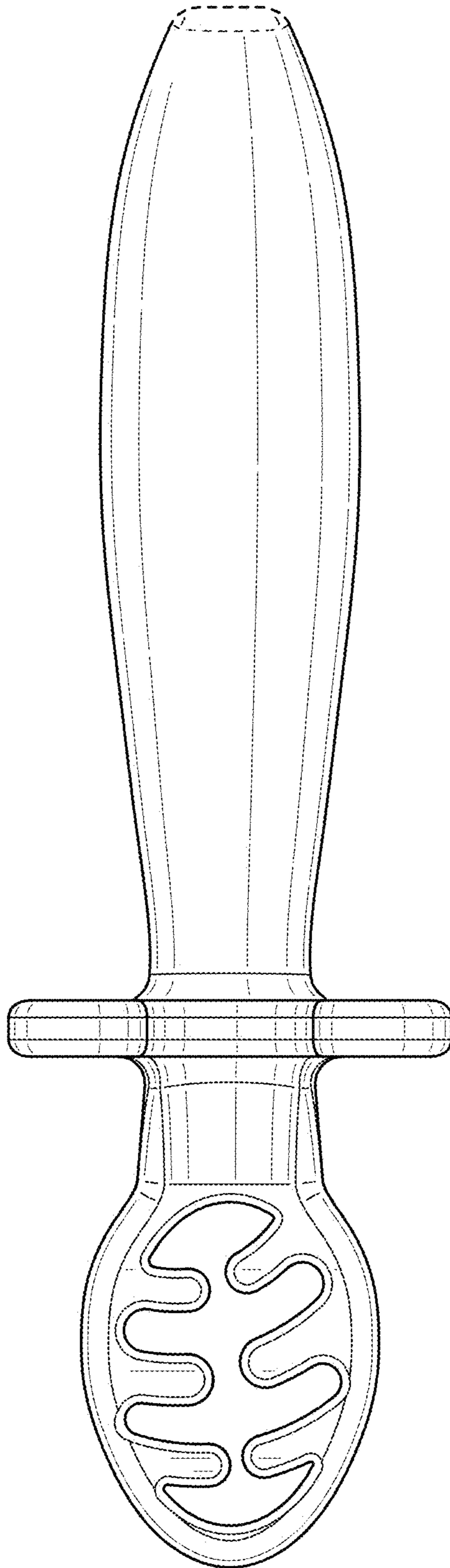


FIG. 13

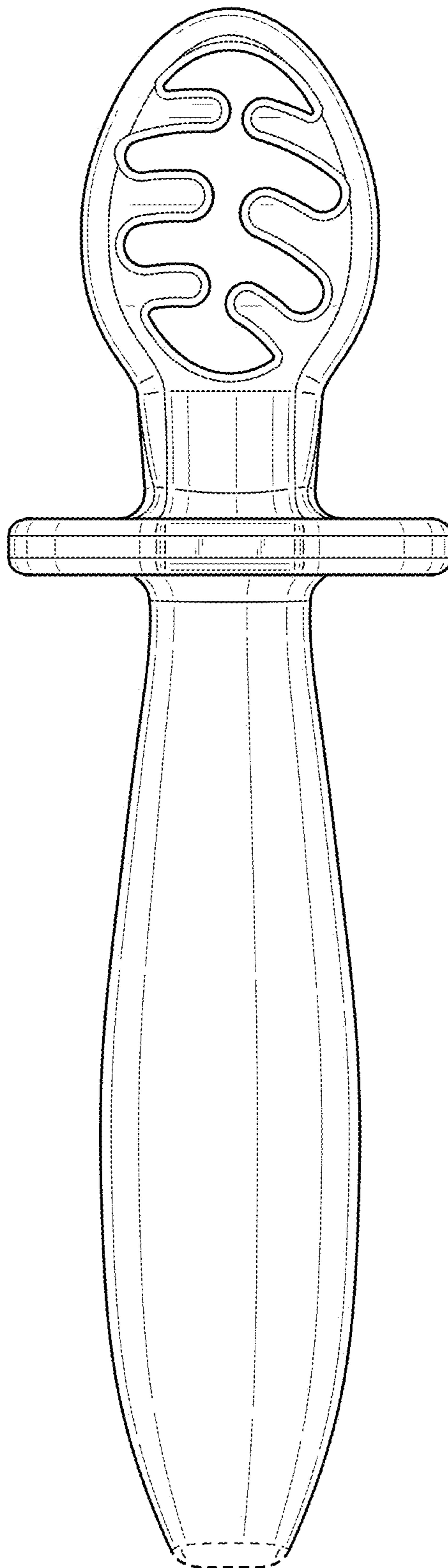


FIG. 14