



US00D940509S

(12) **United States Design Patent** (10) **Patent No.:** **US D940,509 S**
Hazen et al. (45) **Date of Patent:** **** Jan. 11, 2022**

(54) **INSULATING SLEEVE FOR A BEVERAGE CONTAINER**
 (71) Applicant: **Puffin Coolers, LLC**, Bend, OR (US)
 (72) Inventors: **Tyrone Hugh Hazen**, Bend, OR (US);
Byron Jay Linton, Jr., Bend, OR (US);
Christina Joy Linton, Bend, OR (US)
 (73) Assignee: **PUFFIN COOLERS, LLC**, Bend, OR (US)
 (**) Term: **15 Years**

D290,922 S * 7/1987 Herrera D21/805
 D303,150 S 8/1989 Falcon
 D335,245 S * 5/1993 Bauer D7/608
 D335,614 S 5/1993 Diab
 D388,663 S 1/1998 Rausch
 D480,609 S * 10/2003 Hicks D7/625
 D481,267 S * 10/2003 Yamane D2/831
 D482,242 S * 11/2003 Yamane D2/831
 D482,243 S * 11/2003 Yamane D2/828
 D482,244 S * 11/2003 Yamane D2/828
 D482,935 S * 12/2003 Yamane D2/741
 D484,366 S * 12/2003 Yamane D2/831
 D494,423 S * 8/2004 Wright D7/606
 D497,780 S * 11/2004 Hicks D7/624.2
 D499,309 S * 12/2004 Hicks D2/717
 D505,049 S 5/2005 Ramsdale

(21) Appl. No.: **29/739,785**
 (22) Filed: **Jun. 29, 2020**
 (51) **LOC (13) Cl.** **07-07**
 (52) **U.S. Cl.**
 USPC **D7/606**
 (58) **Field of Classification Search**
 USPC D7/300, 301, 507, 509, 510, 511, 602,
 D7/603, 605, 606, 607, 608, 619.1, 619.2,
 D7/624.2, 624.3, 625, 710
 CPC A47J 31/00; A47J 31/441; A47J 41/00;
 A47J 41/02; A47J 43/00; A47J 47/00;
 A47J 47/02; A47J 47/08; A47G 19/027;
 A47G 19/127; A47G 19/2288; A47G
 19/285; A47G 23/04; A45F 2200/00;
 A45F 2200/0583; B64D 11/06; B63C
 9/11; B63C 9/115; B65D 1/265; B65D
 3/22; B65D 81/3453; B65D 81/3865
 See application file for complete search history.

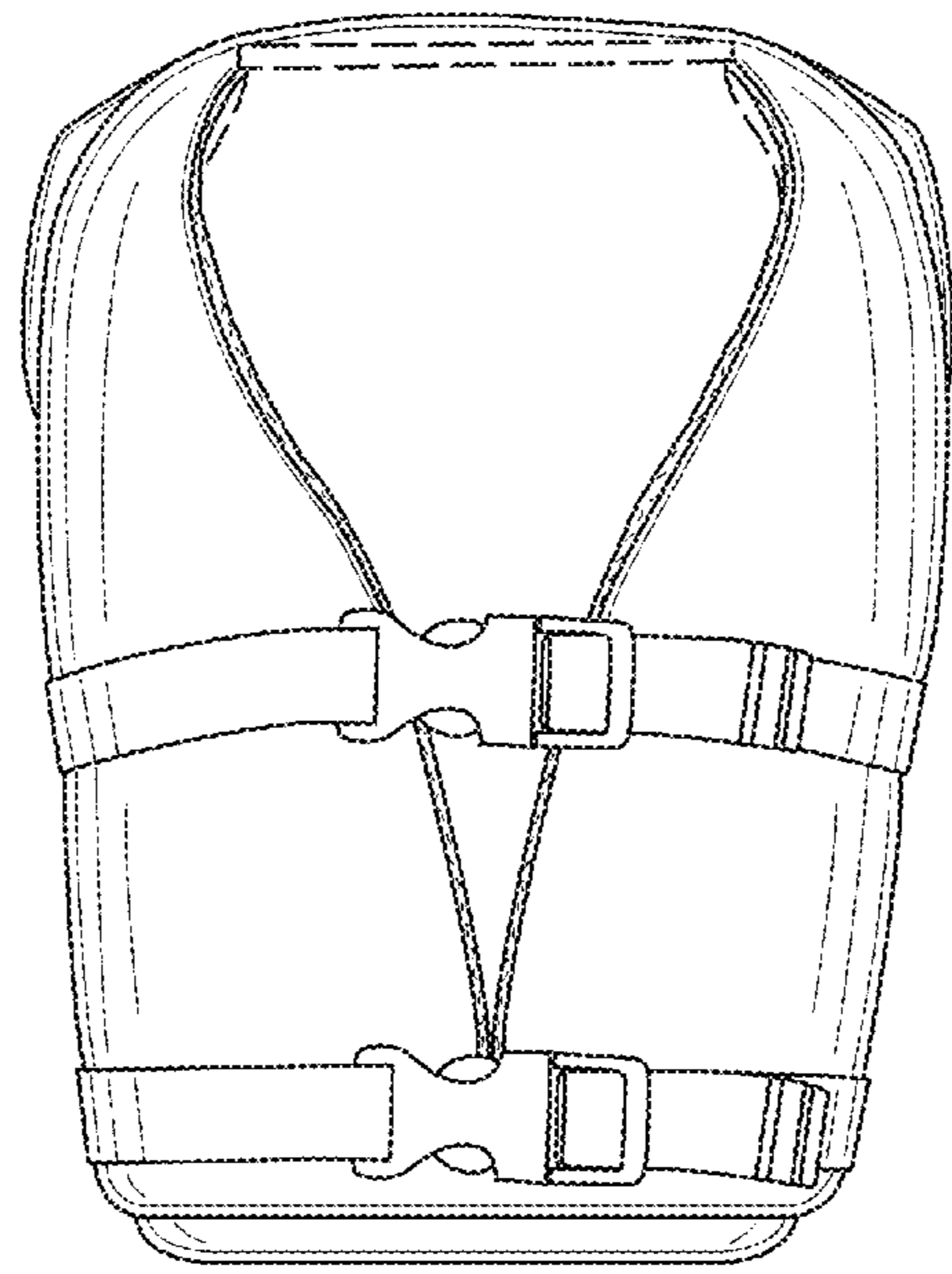
(Continued)
Primary Examiner — George D. Kirschbaum
Assistant Examiner — Darryl J Dardenne
 (74) *Attorney, Agent, or Firm* — Leber IP Law; Celia H. Leber

(56) **References Cited**
 U.S. PATENT DOCUMENTS
 D228,811 S * 10/1973 Maxey D21/805
 4,401,245 A * 8/1983 Zills B65D 81/3886
 215/12.1

(57) **CLAIM**
 The ornamental design for an insulating sleeve for a beverage container, as shown and described.

DESCRIPTION
 FIG. 1 is a front elevation view of a first illustrated embodiment of an insulating sleeve for a beverage container showing our new design;
 FIG. 2 is a rear elevation view thereof;
 FIG. 3 is a right side elevation view thereof.
 FIG. 4 is a left side elevation view thereof;
 FIG. 5 is a top plan view thereof; and,
 FIG. 6 is a bottom plan view thereof.
 In the drawings the long dash broken lines in the drawings depict environmental subject matter that forms no part of the claimed design; the short dash lines depict portions of the article that form no part of the claimed design.

1 Claim, 3 Drawing Sheets



(56)

References Cited

U.S. PATENT DOCUMENTS

D505,838	S	*	6/2005	Hicks	D7/624.2
D623,022	S	*	9/2010	Phillips	D7/606
D651,862	S	*	1/2012	Fontana-Kwon	D7/625
D677,127	S		3/2013	Brown	
D677,995	S	*	3/2013	Chickering, II	D7/625
D688,102	S	*	8/2013	Chu	D7/606
D696,858	S	*	1/2014	Kowalsky	D3/229
D714,100	S	*	9/2014	Hiner	D7/607
D785,807	S		5/2017	Saadia	
2019/0225405	A1		7/2019	Hazen	

* cited by examiner

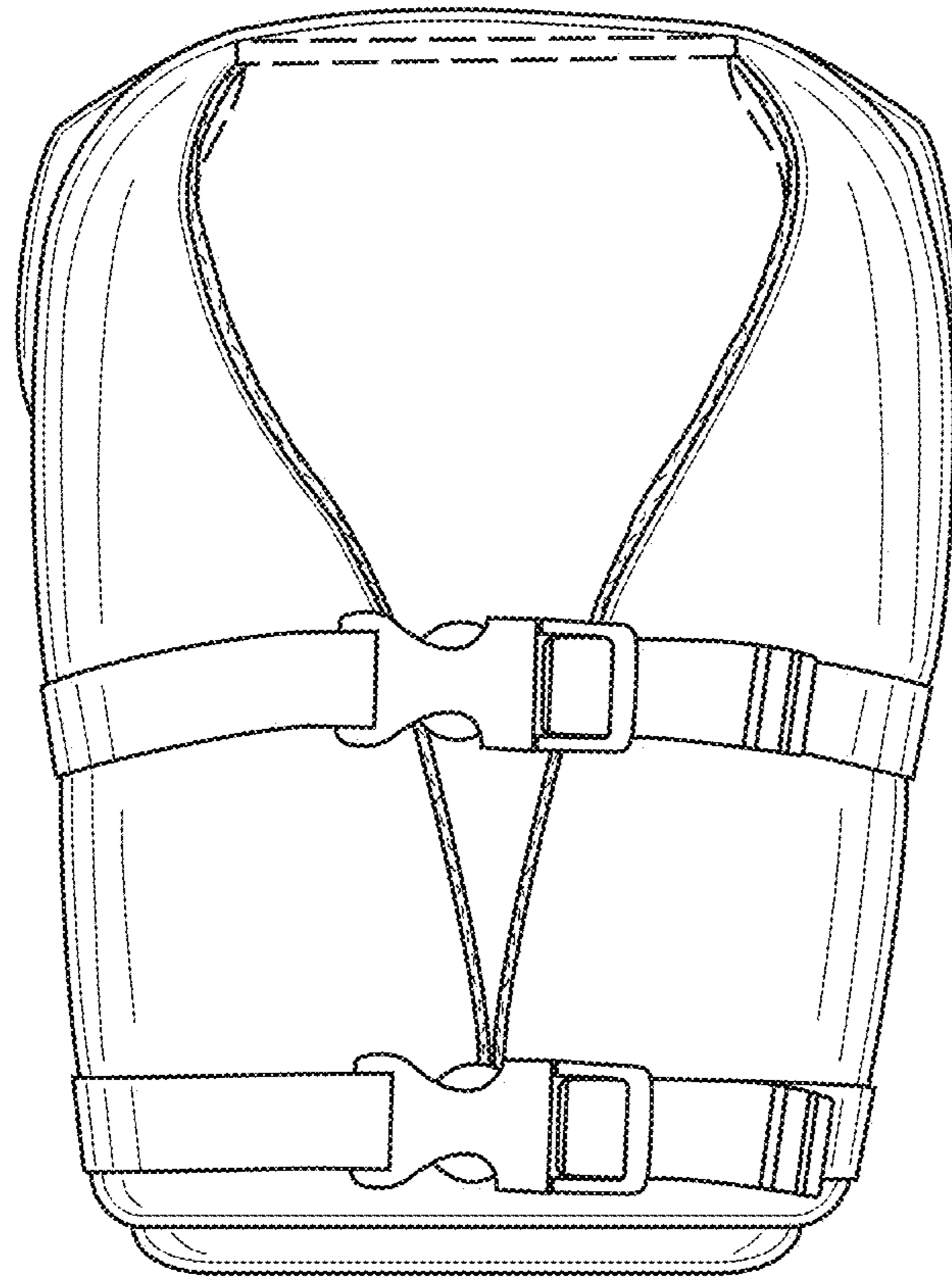


FIG. 1

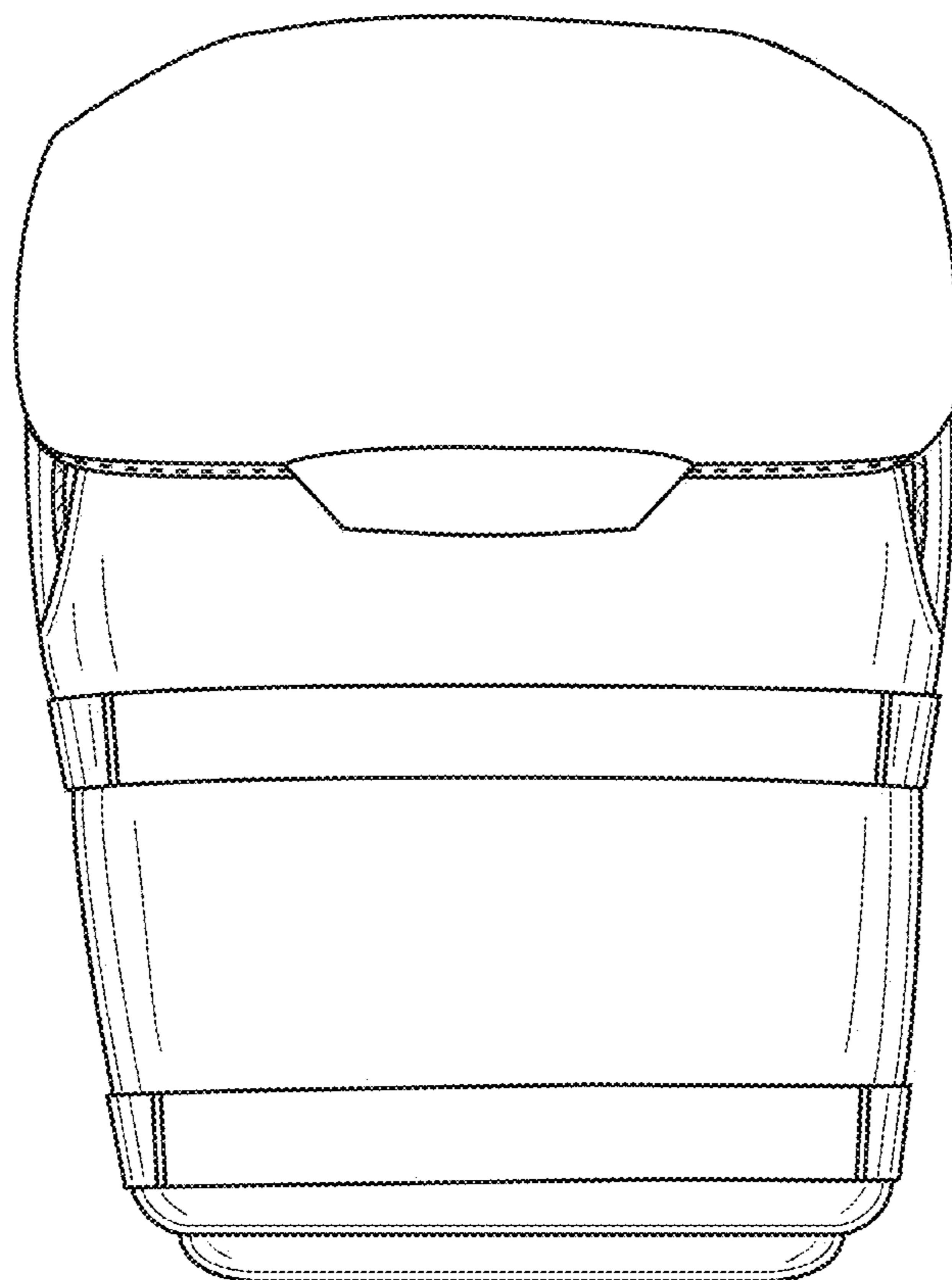


FIG. 2

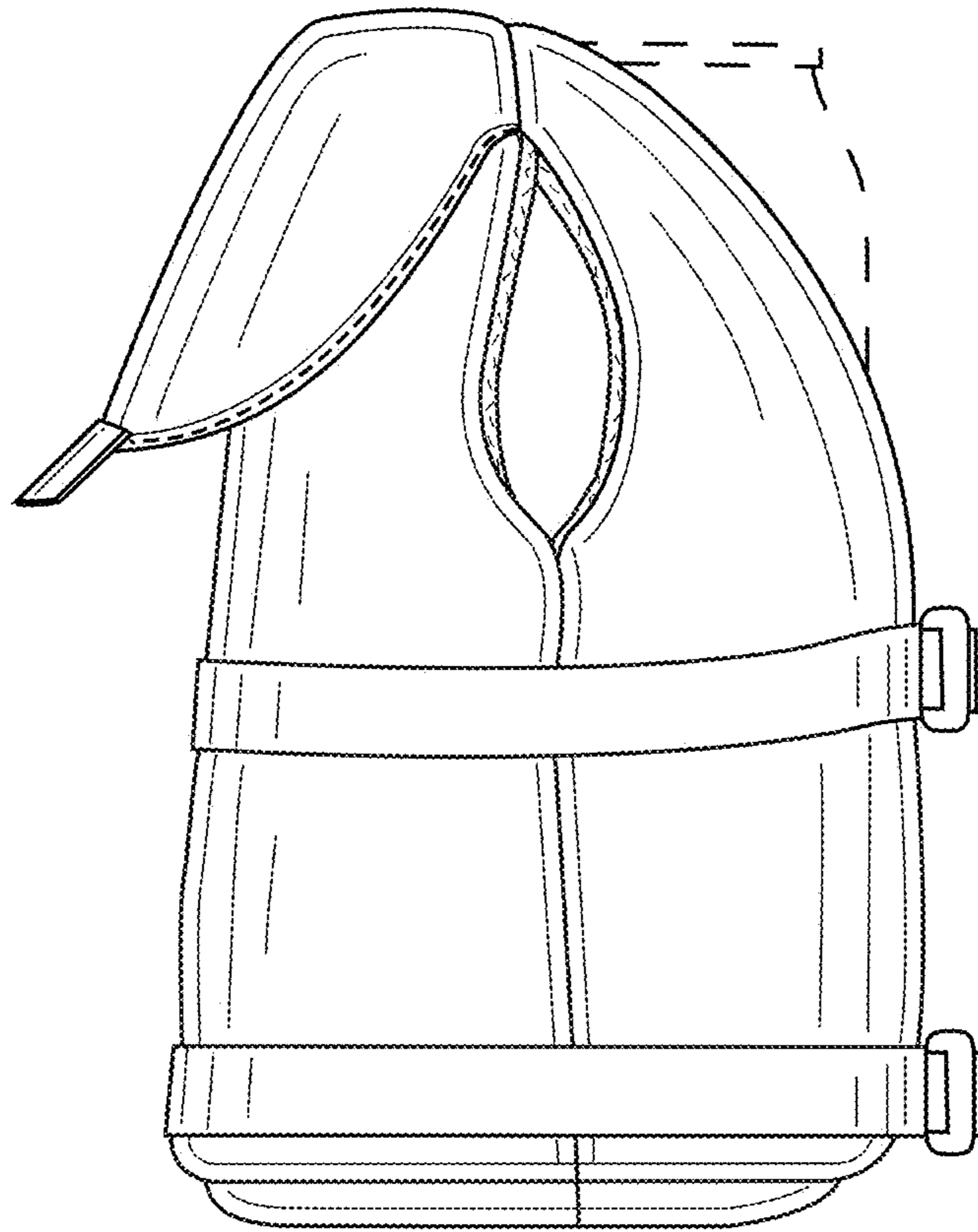


FIG. 3

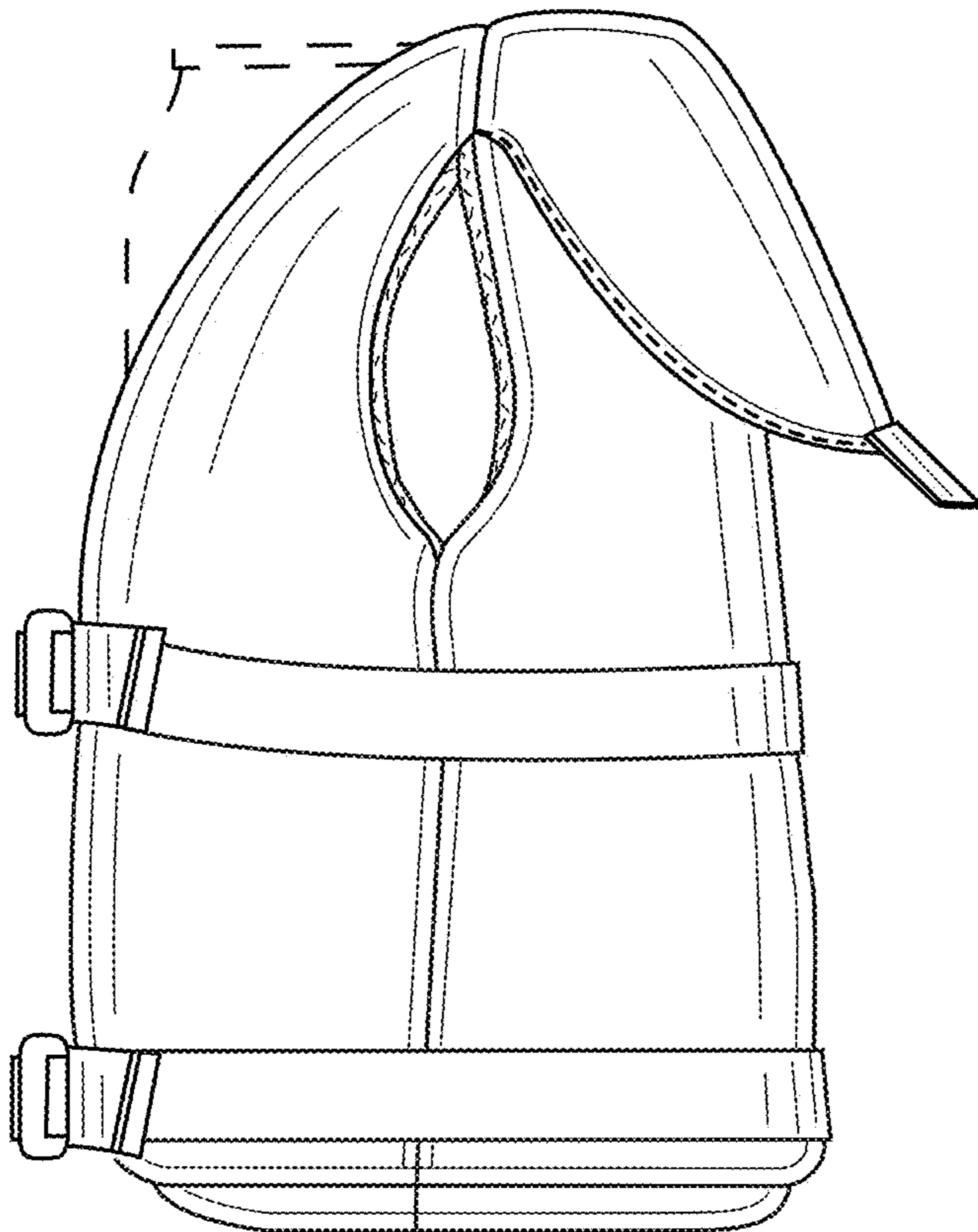


FIG. 4

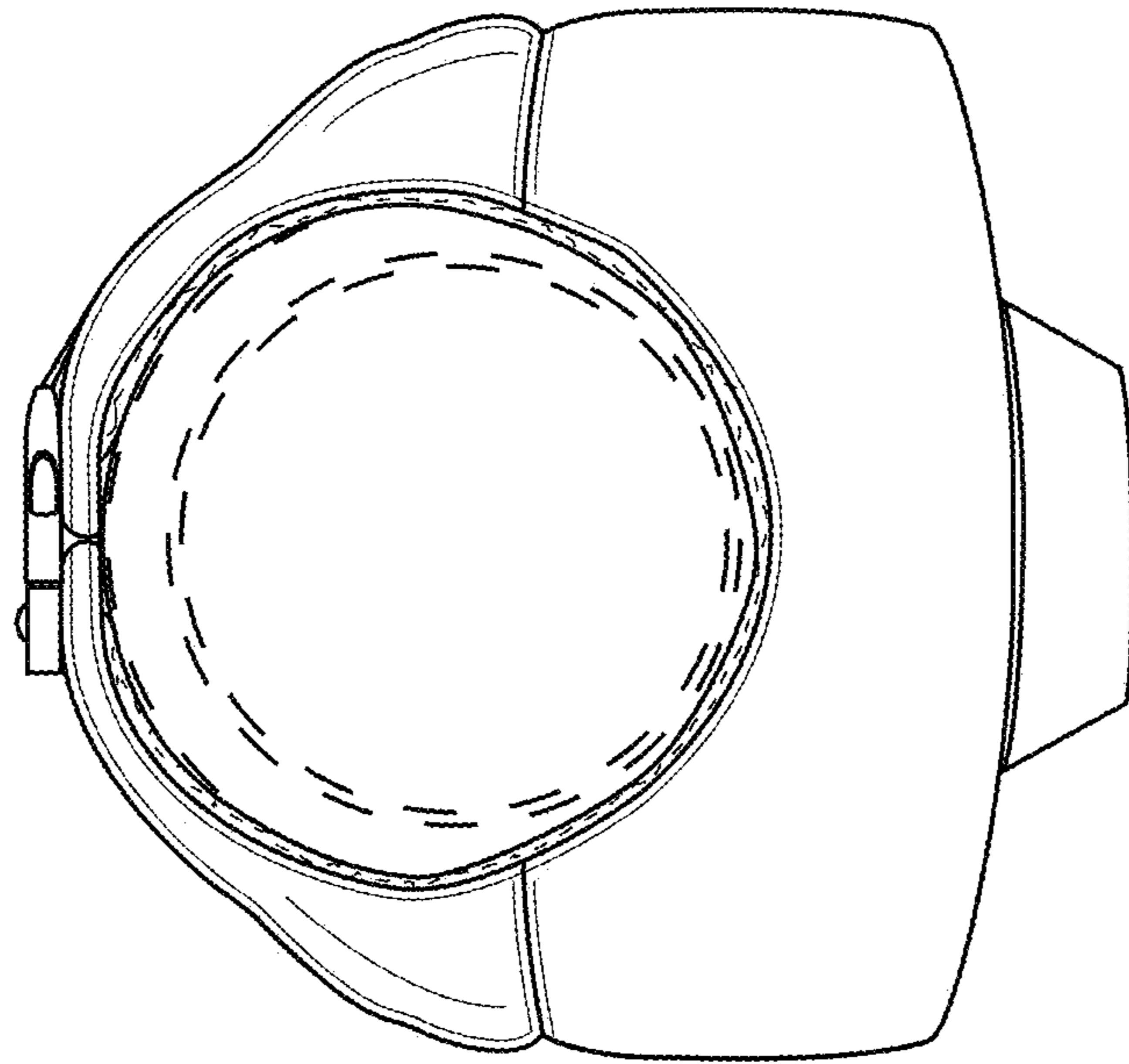


FIG. 5

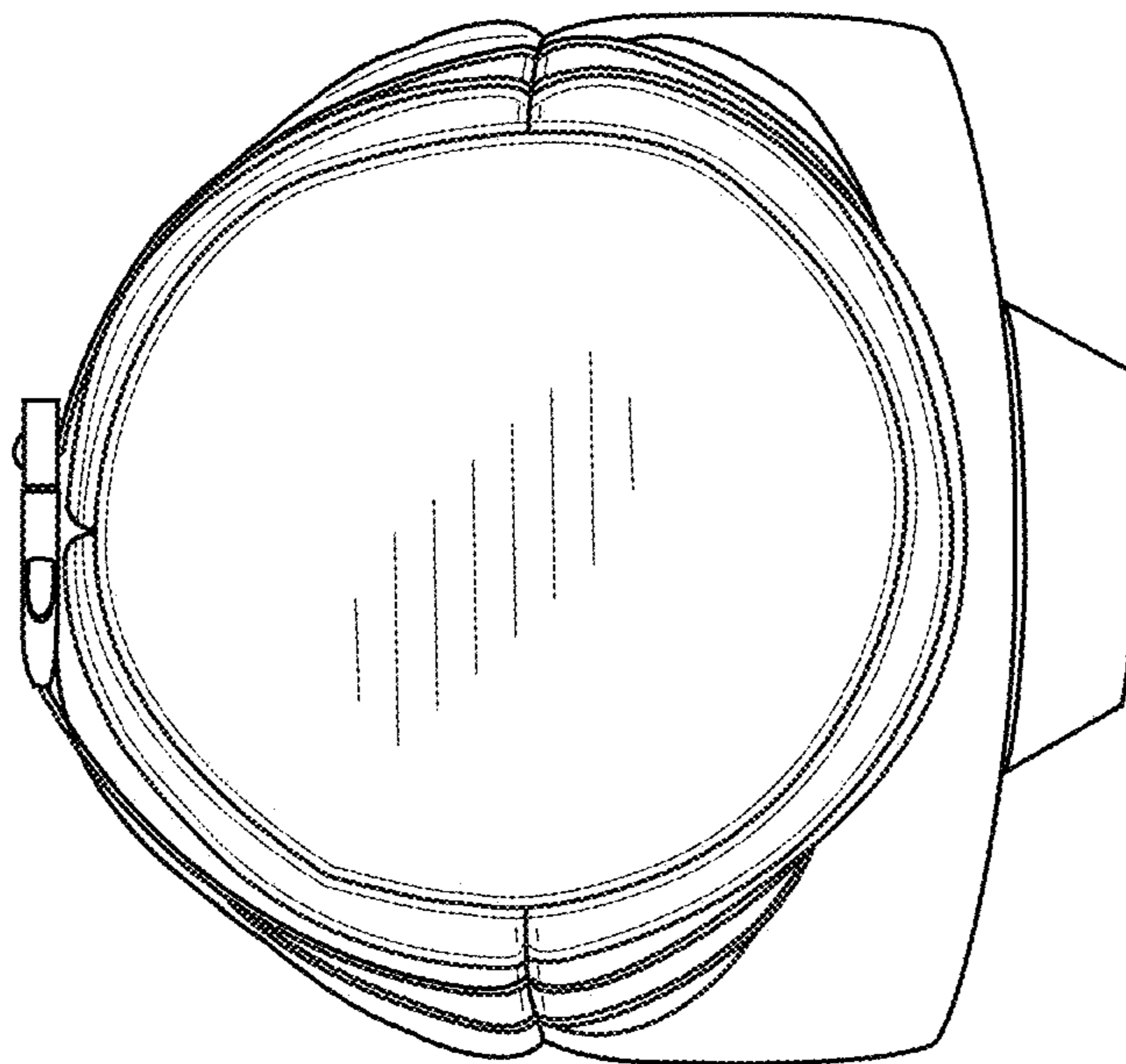


FIG. 6