



US00D940507S

(12) **United States Design Patent**
Lee

(10) **Patent No.:** **US D940,507 S**
(45) **Date of Patent:** **** Jan. 11, 2022**

(54) **COOLER**

(71) Applicant: **JBL INTERNATIONAL, INC.**,
Houston, TX (US)

(72) Inventor: **Lawrence K. Lee**, Houston, TX (US)

(**) Term: **15 Years**

(21) Appl. No.: **29/707,673**

(22) Filed: **Sep. 30, 2019**

(51) **LOC (13) Cl.** **07-01**

(52) **U.S. Cl.**
USPC **D7/605**

(58) **Field of Classification Search**
USPC D7/605-608; D6/661; D8/83
CPC F25D 3/08; F25D 3/02; F25D 3/04; F25D
3/06; F25D 3/14; F25D 3/107; F25D
2331/804; F25D 2331/801; F25D
2400/38; B65D 81/38; B65D 81/3813;
B65D 81/3816; B65D 81/3818; B65D
81/382; B65D 81/3823; B65D 81/3825;
B65D 81/3827; B65D 81/383; B65D
81/3832; B65D 81/3834; B65D 81/3848;
B65D 81/3851; B65D 81/3853; B65D
81/3855; B65D 81/3858; B65D 81/386;
B65D 81/3862; B65D 81/3874; A45C
11/20; A45C 3/00; A45C 2003/008; B62B
5/0083

See application file for complete search history.

(56) **References Cited**

U.S. PATENT DOCUMENTS

3,979,007 A * 9/1976 Thornbloom, Jr. A45C 11/20
220/522
D299,391 S * 1/1989 Meehan D15/83
D368,387 S * 4/1996 Bureau D6/686
D401,479 S * 11/1998 Norman D7/605
D437,736 S * 2/2001 Moffett, III D7/605
D525,084 S * 7/2006 Willis D7/605

D567,594 S * 4/2008 Giovino D7/605
D570,161 S * 6/2008 Giovino D7/605
D699,080 S * 2/2014 Lee D7/605
D769,075 S * 10/2016 Lee D7/605
D835,469 S * 12/2018 Lovelace D7/605
2013/0033854 A1* 2/2013 Statham F21S 4/28
362/154

OTHER PUBLICATIONS

Amazon.com, Sharewin 80 qt Rolling Cooler Cart Ice Chest for Outdoor Patio Deck Party Portable Party Bar cold Drink Beverage Cart, ASIN: B08H81TT1H, pp. 1-5, first date available Jun. 14, 2019. (Year: 2019).*

Amazon.com, Rio Brands Entertainer Rolling Party Cooler (77 Quarts, Midnight Sands) Wheeled Ice Chest: Sports & Outdoors, Manufacturer: Rio Brands, ASIN B0047TCPGW, pp. 1-4, first date available Oct. 18, 2010. (Year: 2010).*

* cited by examiner

Primary Examiner — Terry A Wallace
(74) *Attorney, Agent, or Firm* — Egbert, McDaniel & Swartz, PLLC

(57) **CLAIM**

The ornamental design for a cooler, as shown and described.

DESCRIPTION

FIG. 1 is a perspective view of a cooler showing my new design.

FIG. 2 is a front view thereof;

FIG. 3 is a rear view thereof;

FIG. 4 is a side view thereof;

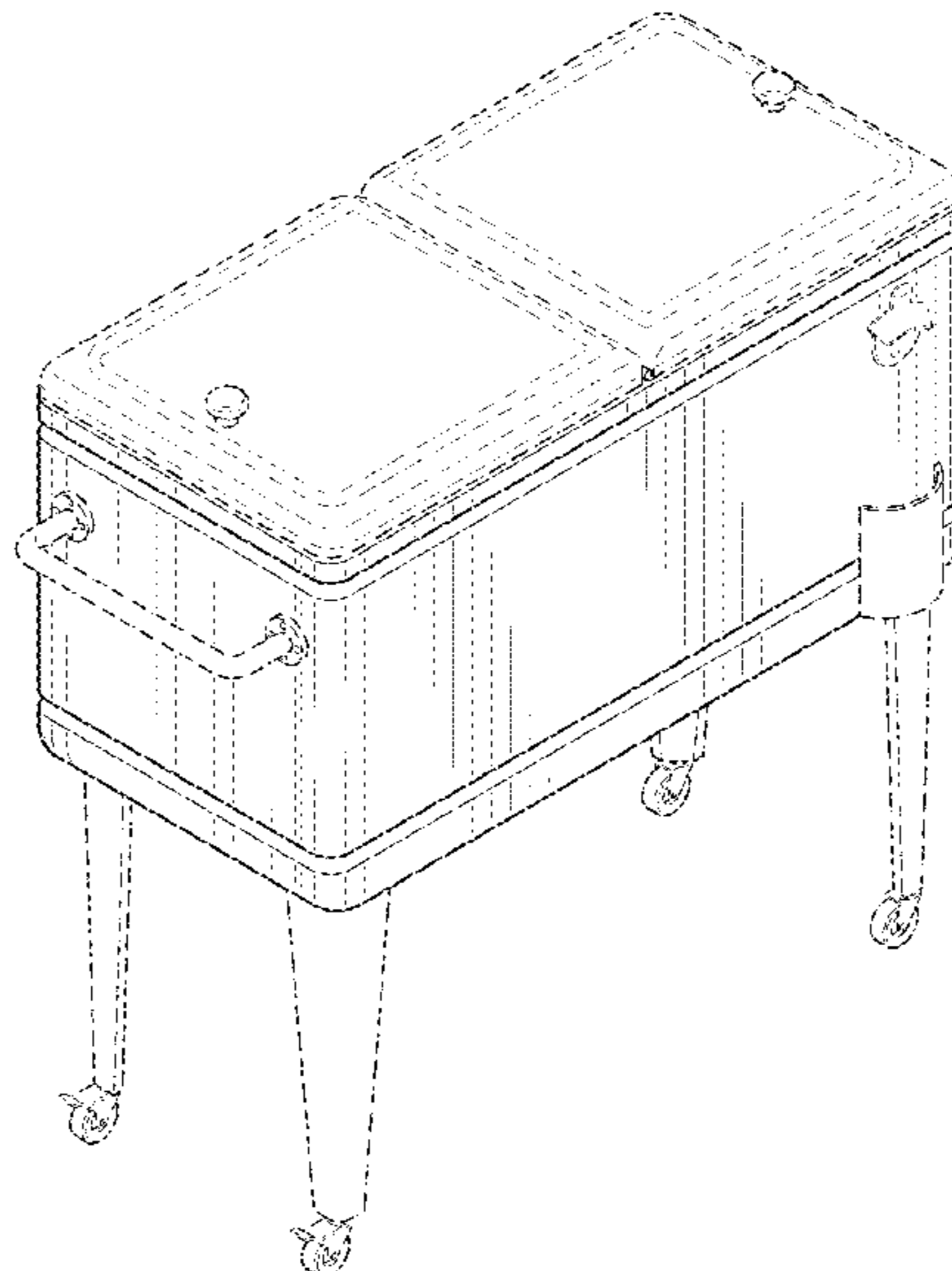
FIG. 5 is an opposite side view thereof;

FIG. 6 is a top view thereof; and,

FIG. 7 is a bottom view thereof.

The features of the claimed design shown in broken lines in the drawings represent environmental structure and portions of the article, and form no part of the claimed design.

1 Claim, 3 Drawing Sheets



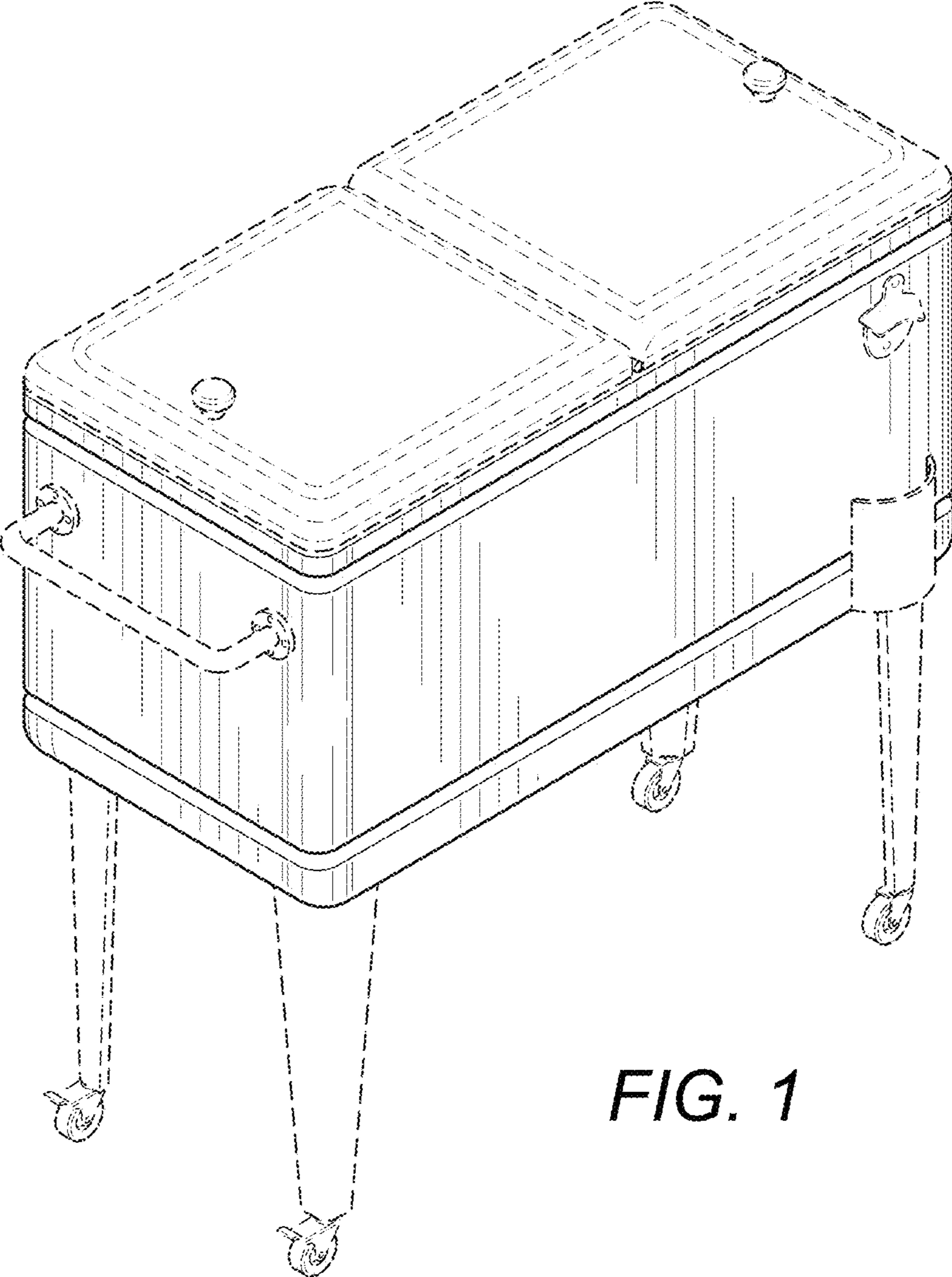


FIG. 1

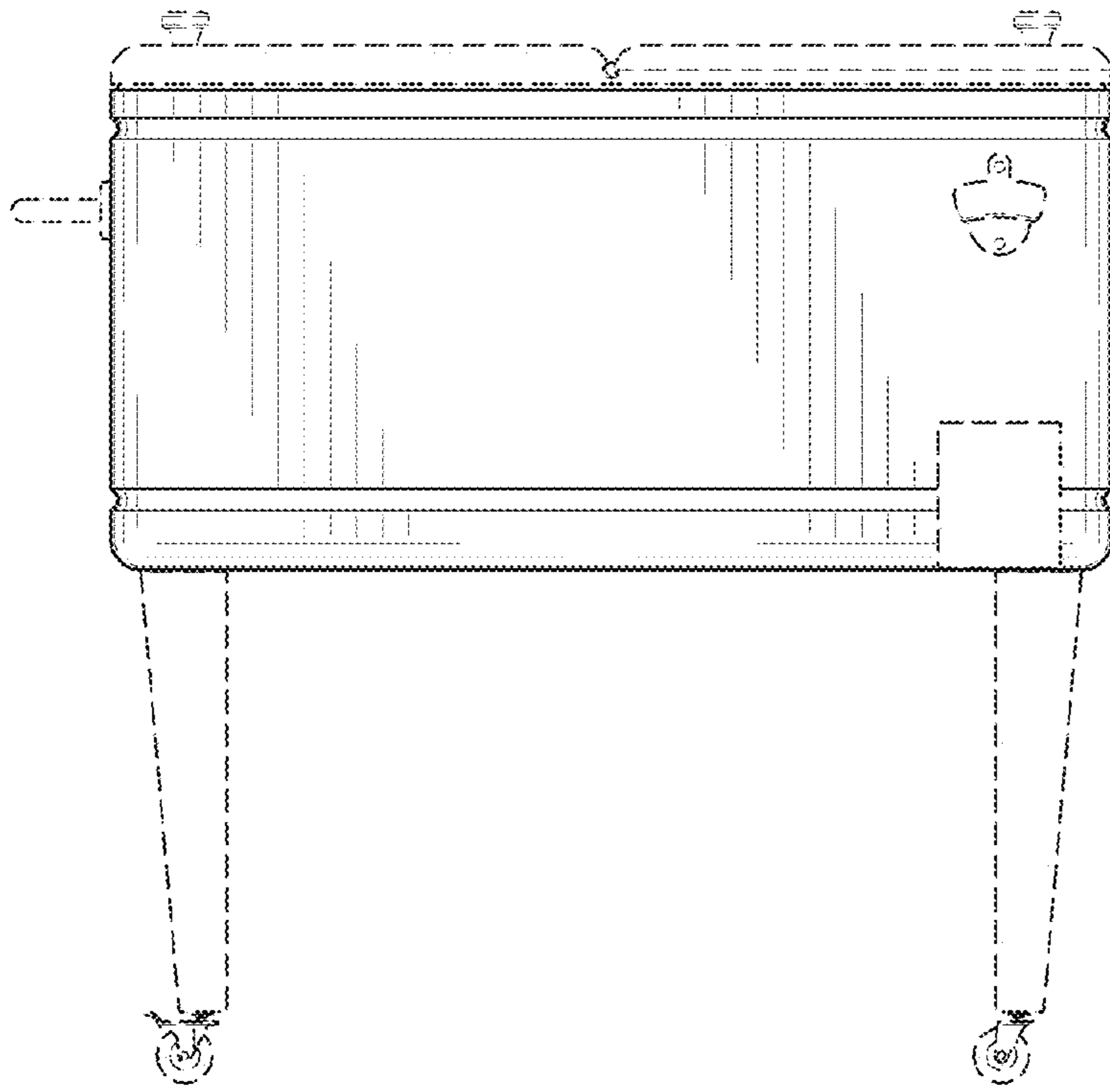


FIG. 2

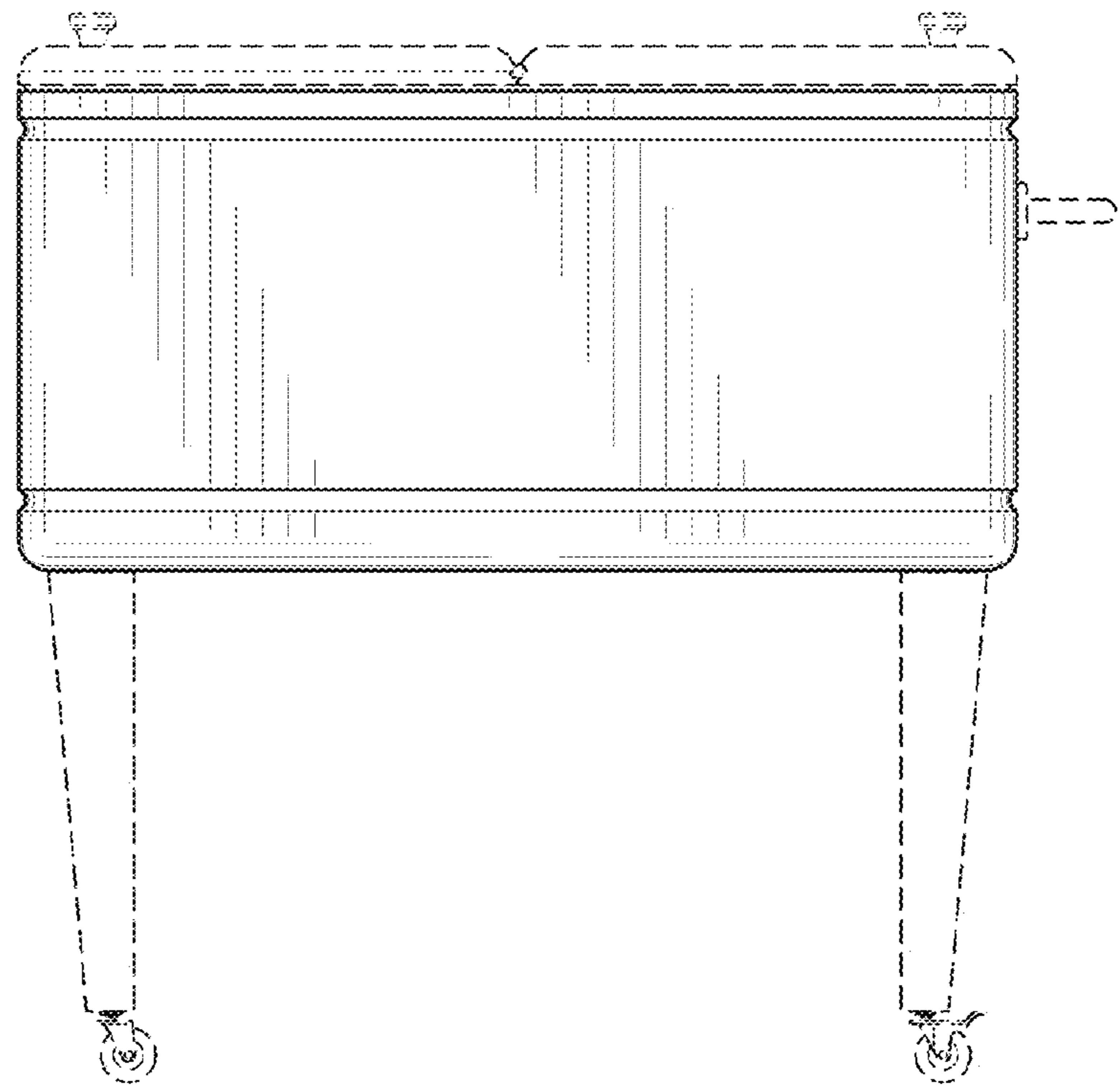


FIG. 3

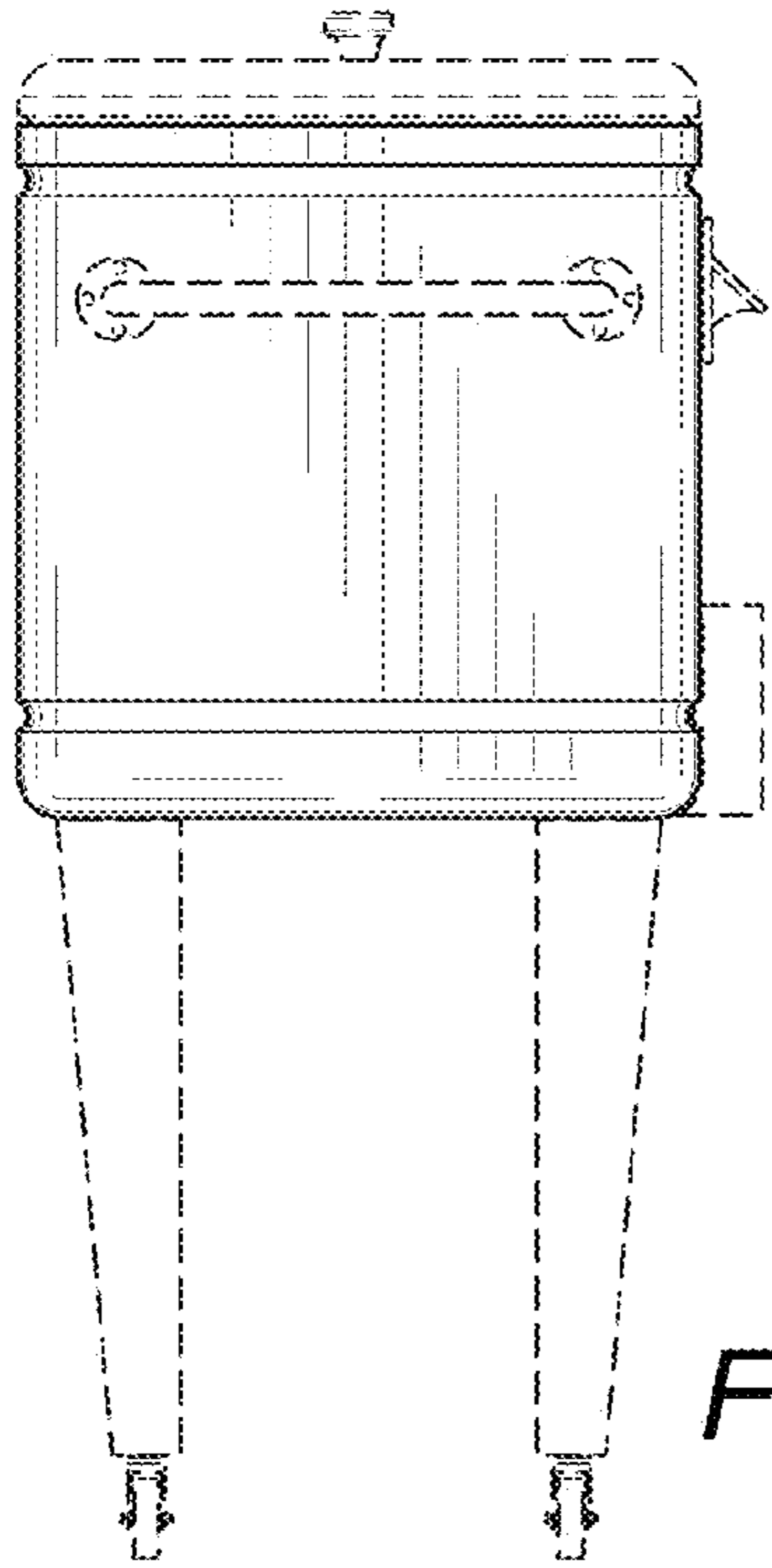


FIG. 4

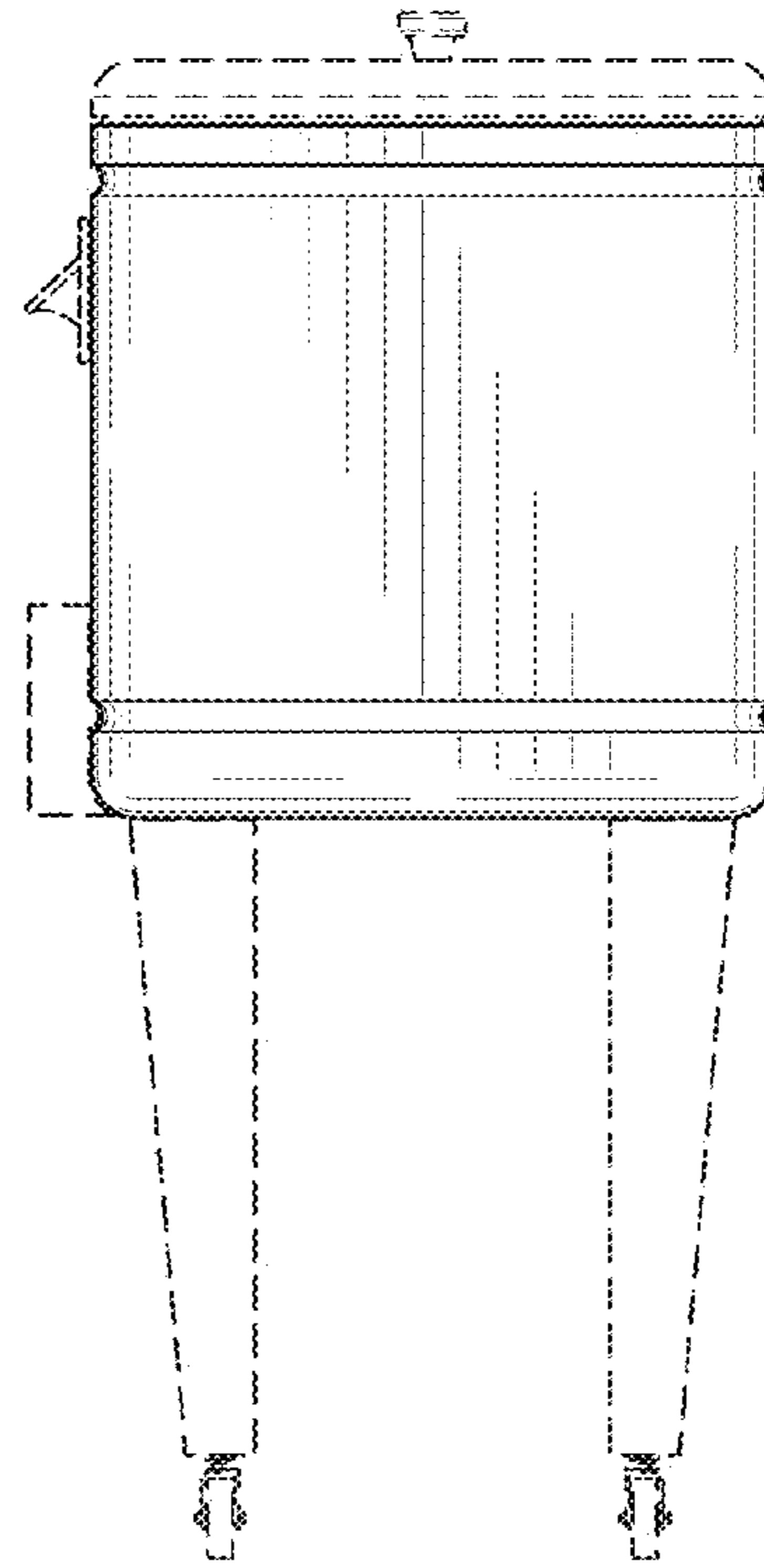


FIG. 5

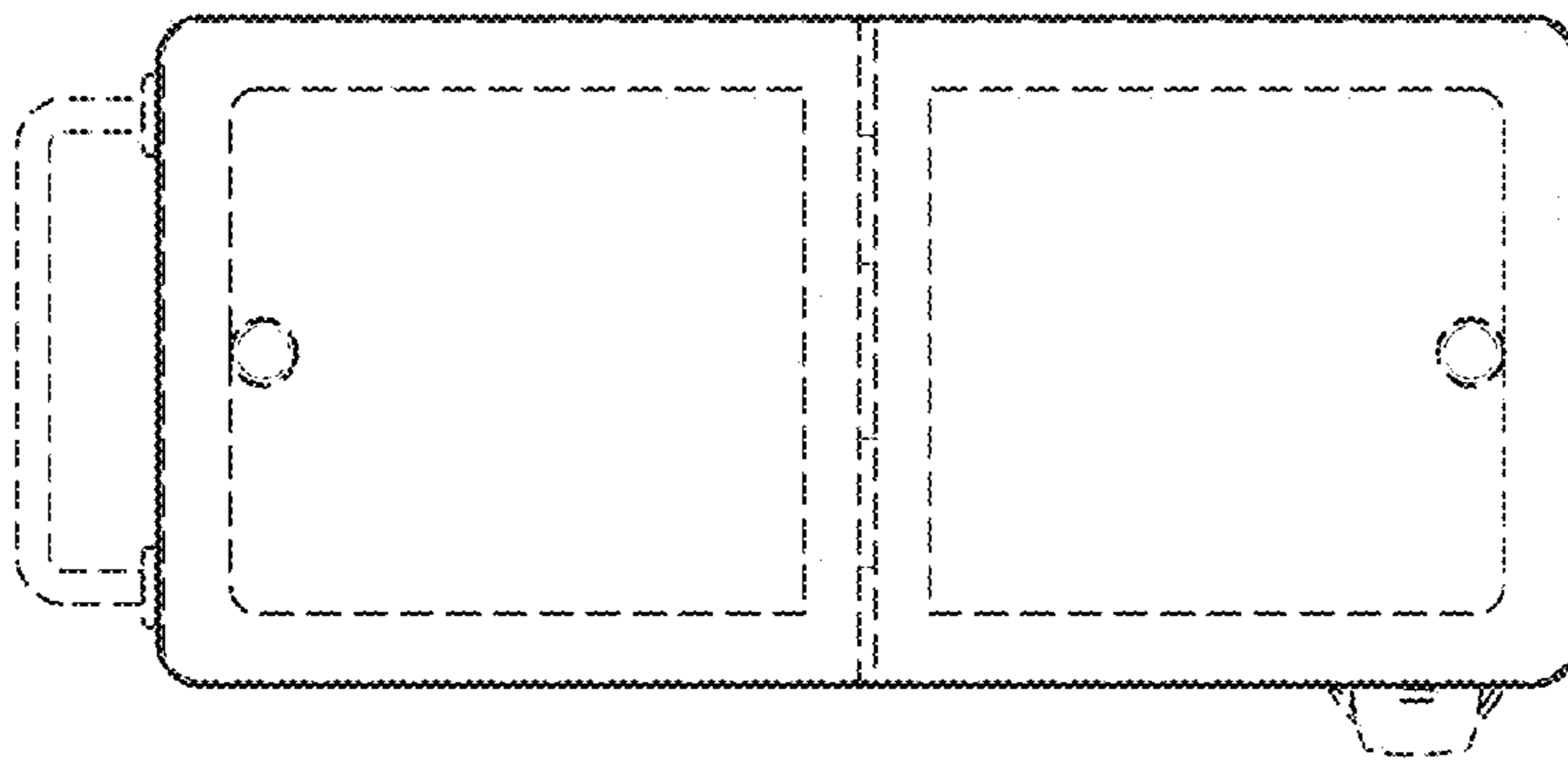


FIG. 6

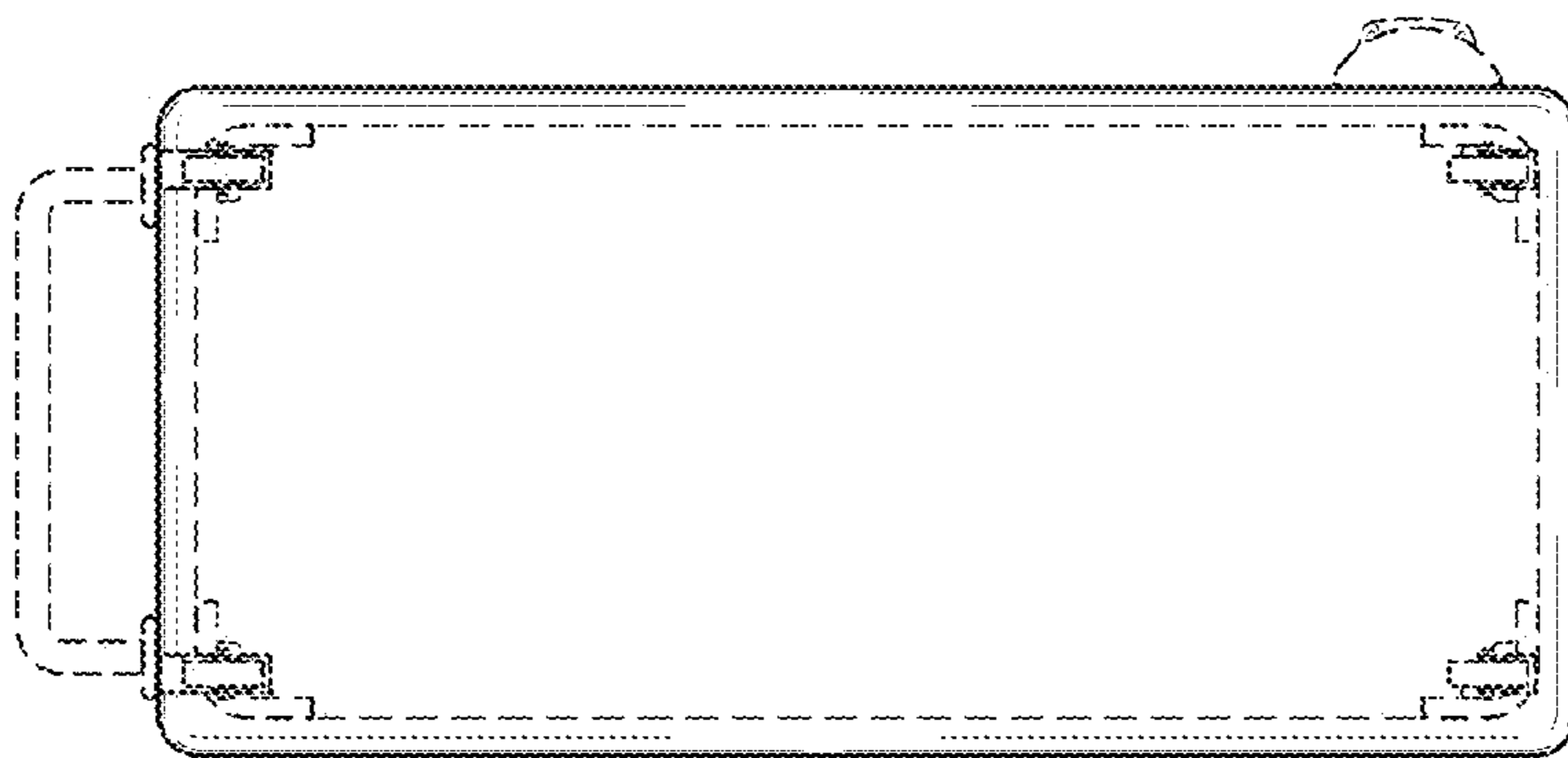


FIG. 7