



US00D940505S

(12) **United States Design Patent** (10) **Patent No.:** **US D940,505 S**
Kuchinski et al. (45) **Date of Patent:** **** Jan. 11, 2022**

(54) **MIXING IMPELLER**

(71) Applicant: **PRC DeSoto International, Inc.**,
Sylmar, CA (US)

(72) Inventors: **Paul Kuchinski**, Valley Village, CA
(US); **Goldi Singh**, Chino Hills, CA
(US); **Oscar Santillan**, Camarillo, CA
(US)

(73) Assignee: **PRC-DeSoto International, Inc.**,
Sylmar, CA (US)

(**) Term: **15 Years**

(21) Appl. No.: **29/800,431**

(22) Filed: **Jul. 21, 2021**

Related U.S. Application Data

(62) Division of application No. 29/730,507, filed on Apr.
6, 2020, now Pat. No. Des. 927,931.

(51) **LOC (13) Cl.** **31-00**

(52) **U.S. Cl.**
USPC **D7/412; D7/376; D7/378; D7/383**

(58) **Field of Classification Search**
USPC D7/372, 375-386, 412-413, 602, 629,
D7/665-666, 669, 679, 693-694;
D12/214; D13/115; D23/379; D24/220
CPC A21C 1/02; A21C 1/04; A23N 1/00; A23N
1/02; A47J 43/04; A47J 43/25; A47J
43/27; A47J 43/042; A47J 43/044; A47J
43/046; A47J 43/075; A47J 43/0705;
A47J 43/0722; A47J 43/0727; B01F 3/00;
B01F 3/0807; B01F 3/0853; B01F
13/0059; B01F 13/0064; B02C 1/08;
B02C 2/04; B02C 4/42; B02C 4/142;
B02C 4/143; B02C 4/423; B02C 13/1835;
B28C 5/10; B28C 5/12; B28C 5/14;
B28C 5/16; F04D 29/424; F04D 29/2222

See application file for complete search history.

(56) **References Cited**

U.S. PATENT DOCUMENTS

3,037,749 A * 6/1962 Stubler A47J 43/044
366/207
3,318,583 A * 5/1967 Wright A47J 43/0727
366/197
D240,810 S * 8/1976 Meyerhoff D12/214
D324,201 S * 2/1992 Hannon D12/214
6,220,819 B1 * 4/2001 Chien F04D 29/2222
416/186 R

(Continued)

OTHER PUBLICATIONS

Warner 2" 1-Gallon Plastic Paint Mixer. Date First Available on
Amazon.com Dec. 18, 2020. <https://www.amazon.com/Warner-1-Gallon-Plastic-Paint-447/dp/B00011QA0U/ref> (Year: 2020).*

Primary Examiner — Ricky Pham

(74) *Attorney, Agent, or Firm* — Alan G. Towner

(57) **CLAIM**

The ornamental design for mixing impeller, as shown and
described.

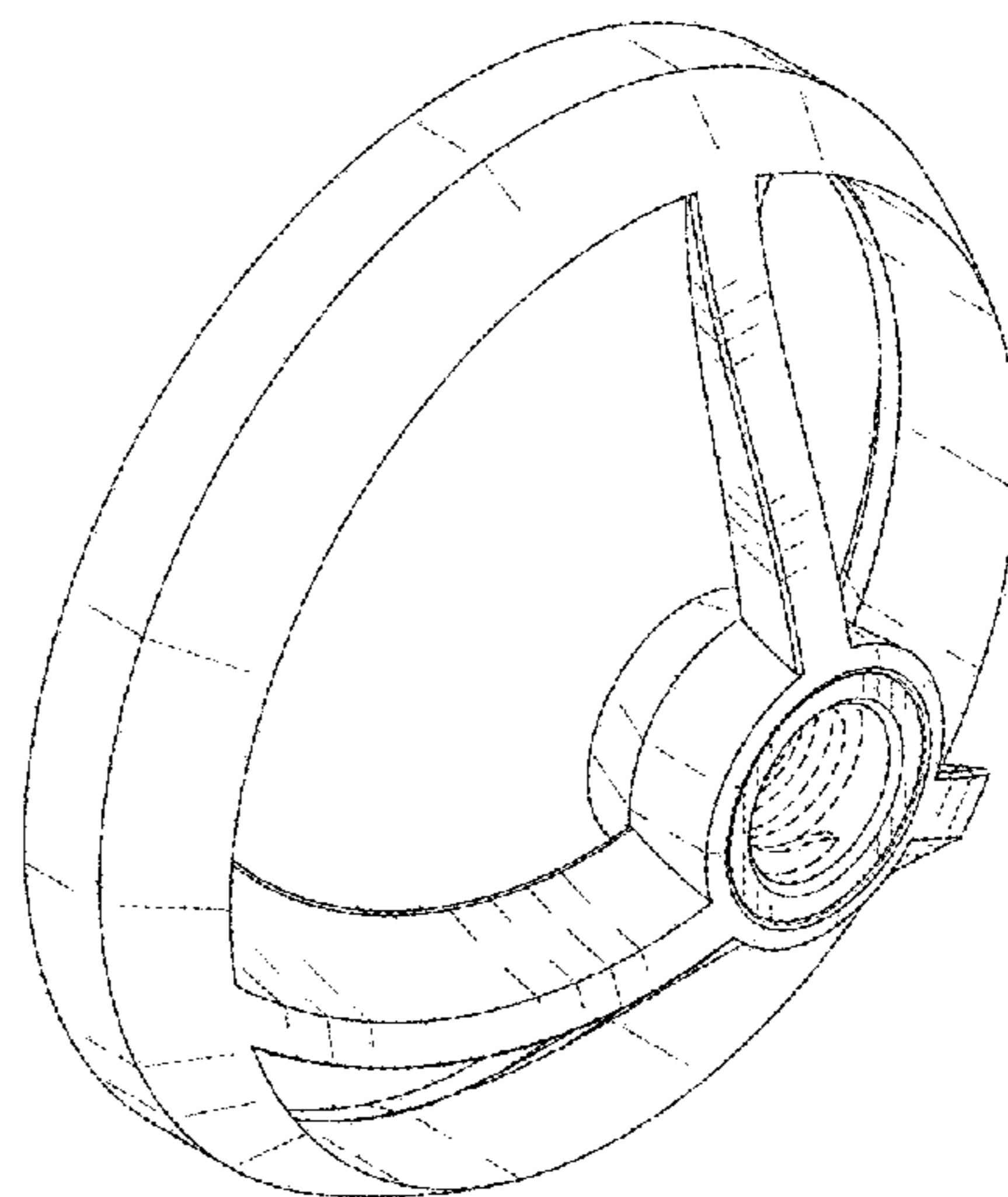
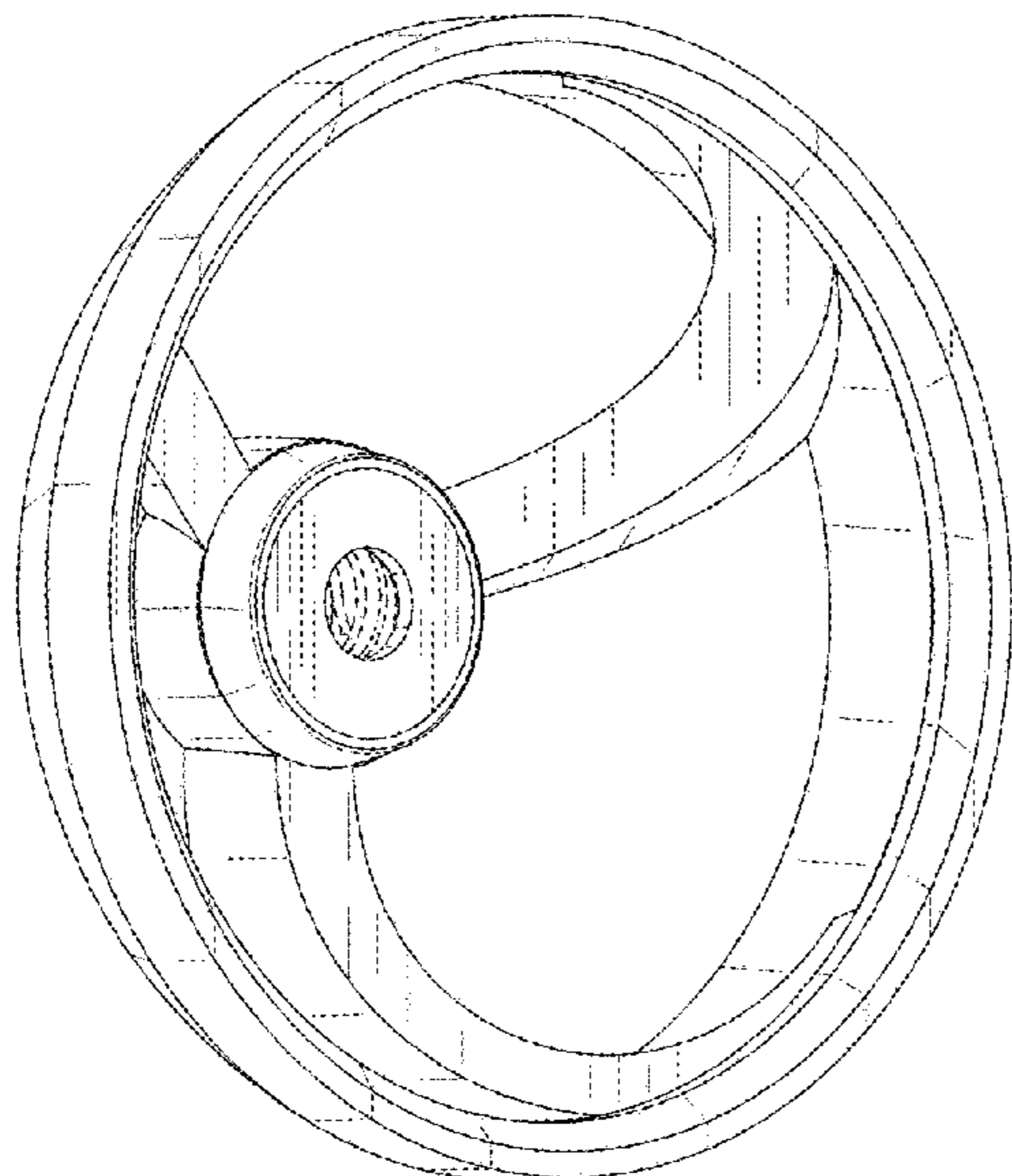
DESCRIPTION

FIG. 1 is a top perspective view of a mixing impeller
showing our new design;
FIG. 2 is a bottom perspective view thereof;
FIG. 3 is a front view thereof;
FIG. 4 is a right side view thereof;
FIG. 5 is a top view thereof; and,
FIG. 6 is a bottom view thereof.

The broken lines are for environmental purposes only and
form no part of the claimed design.

The mixing impeller of the embodiment of FIGS. 1-6 is
rotationally symmetrical at 120° intervals around a central
vertical axis thereof.

1 Claim, 3 Drawing Sheets



(56)

References Cited

U.S. PATENT DOCUMENTS

7,165,938 B2 * 1/2007 Lee F04D 29/424
415/206
D577,807 S * 9/2008 Kenyon D23/379
D645,950 S * 9/2011 Kenyon D23/379
D799,889 S * 10/2017 McClory D7/375
D799,890 S * 10/2017 McClory D7/375
D891,634 S * 7/2020 Skakoon D24/220
D909,302 S * 2/2021 Kesby D13/115
D927,931 S * 8/2021 Kuchinski D7/412

* cited by examiner

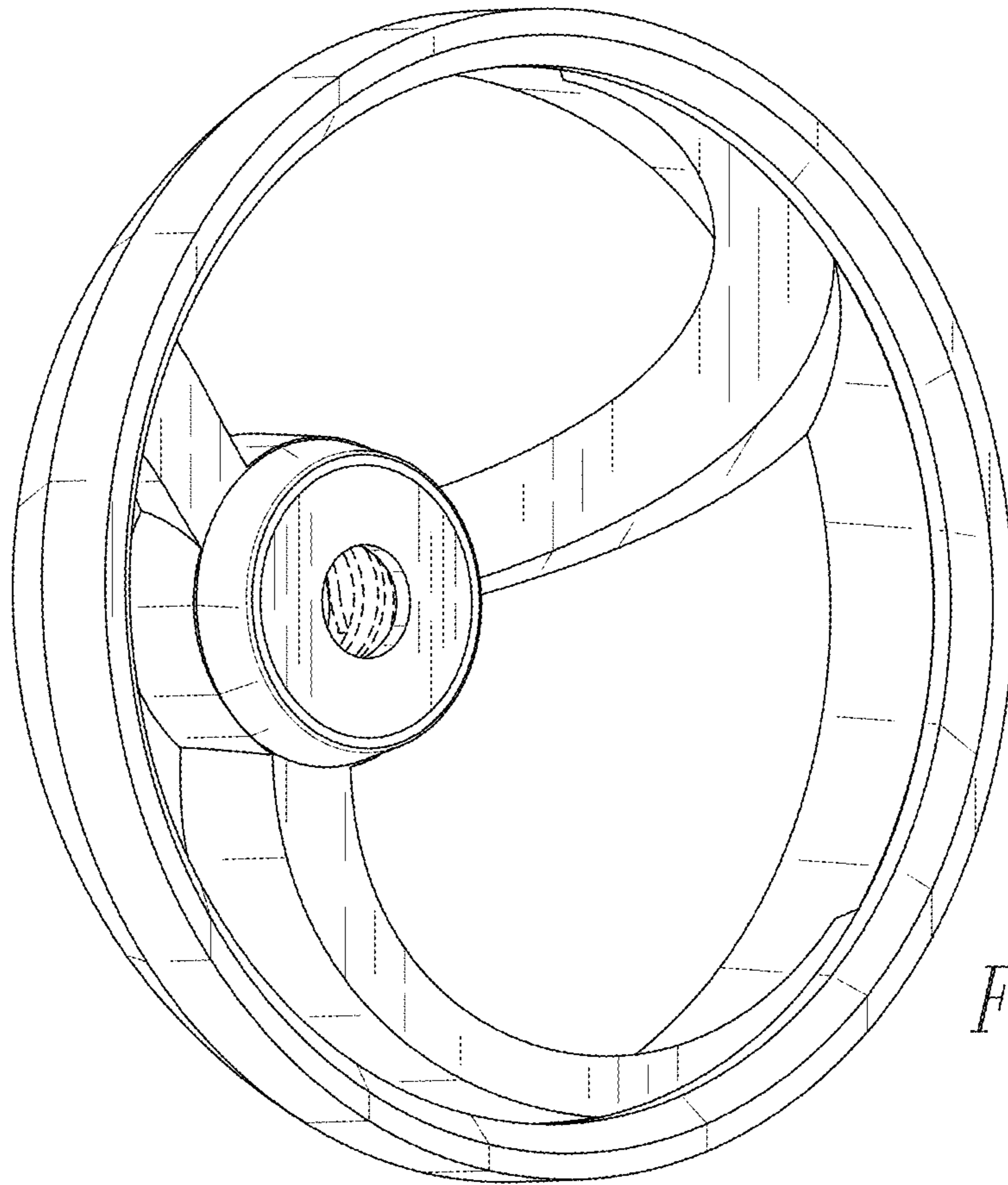


FIG. 1

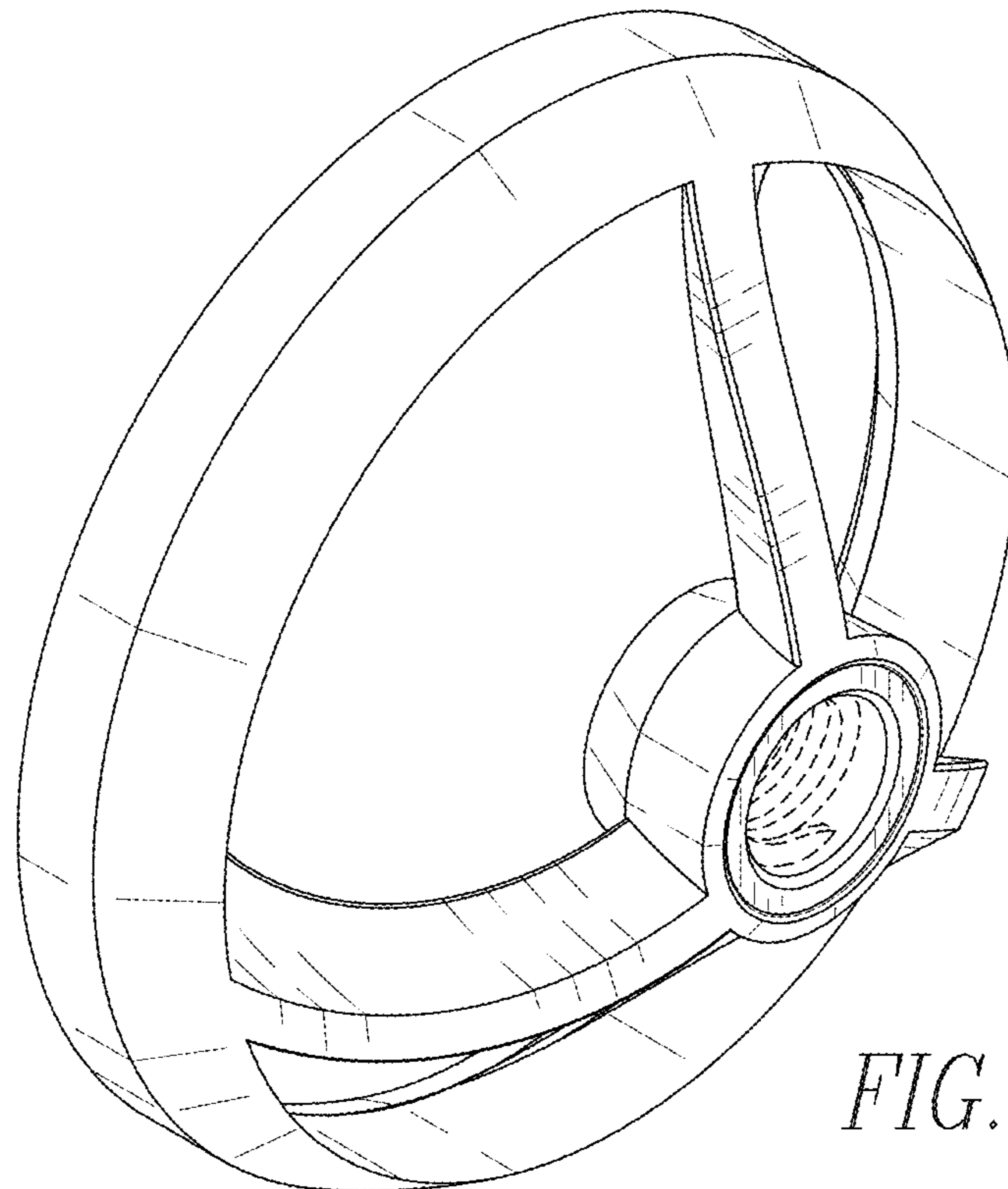


FIG. 2

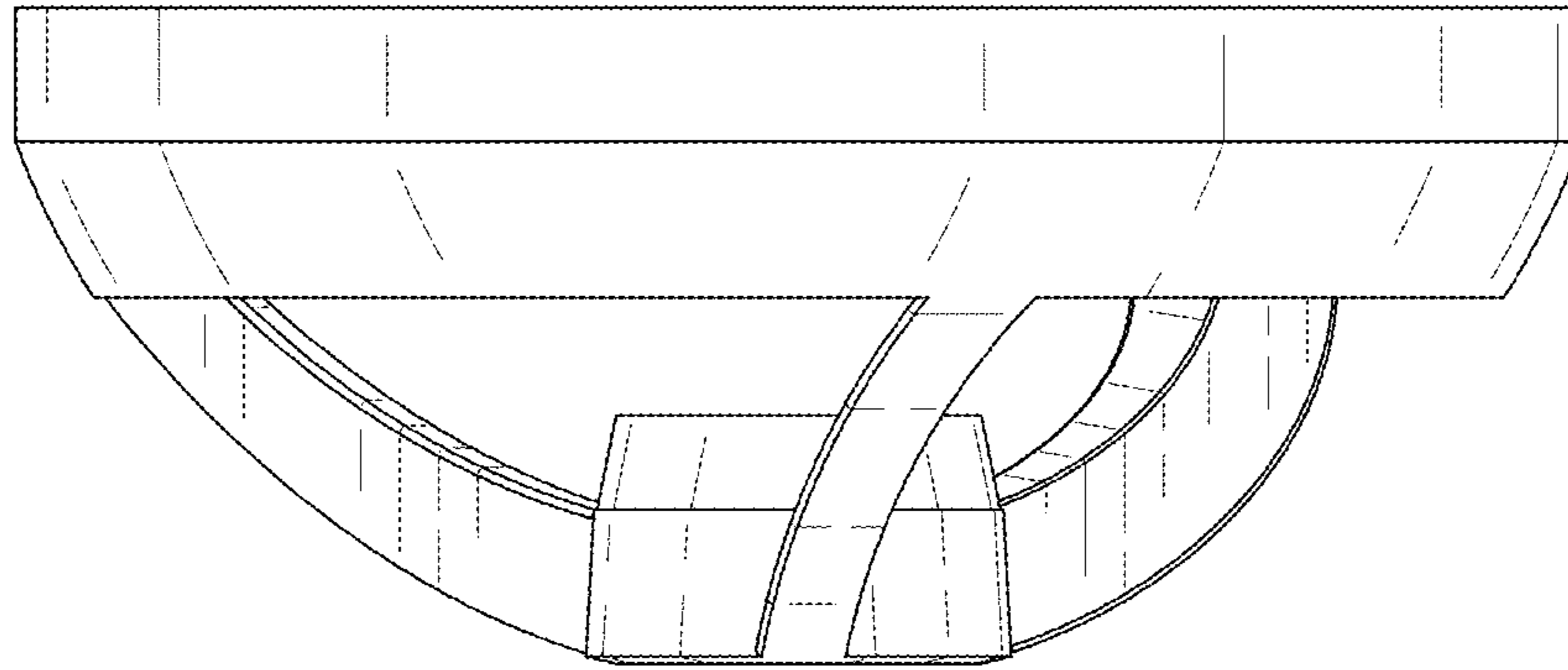


FIG. 3

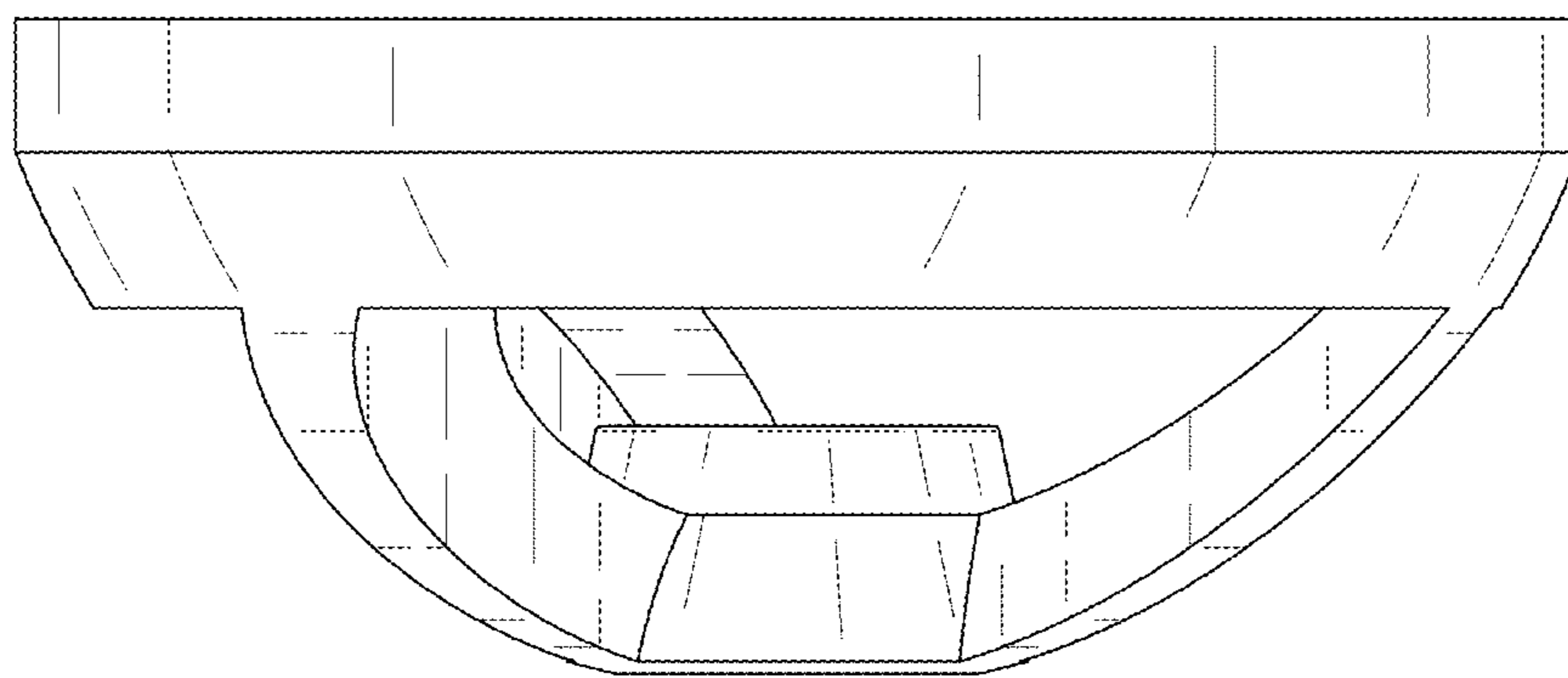


FIG. 4

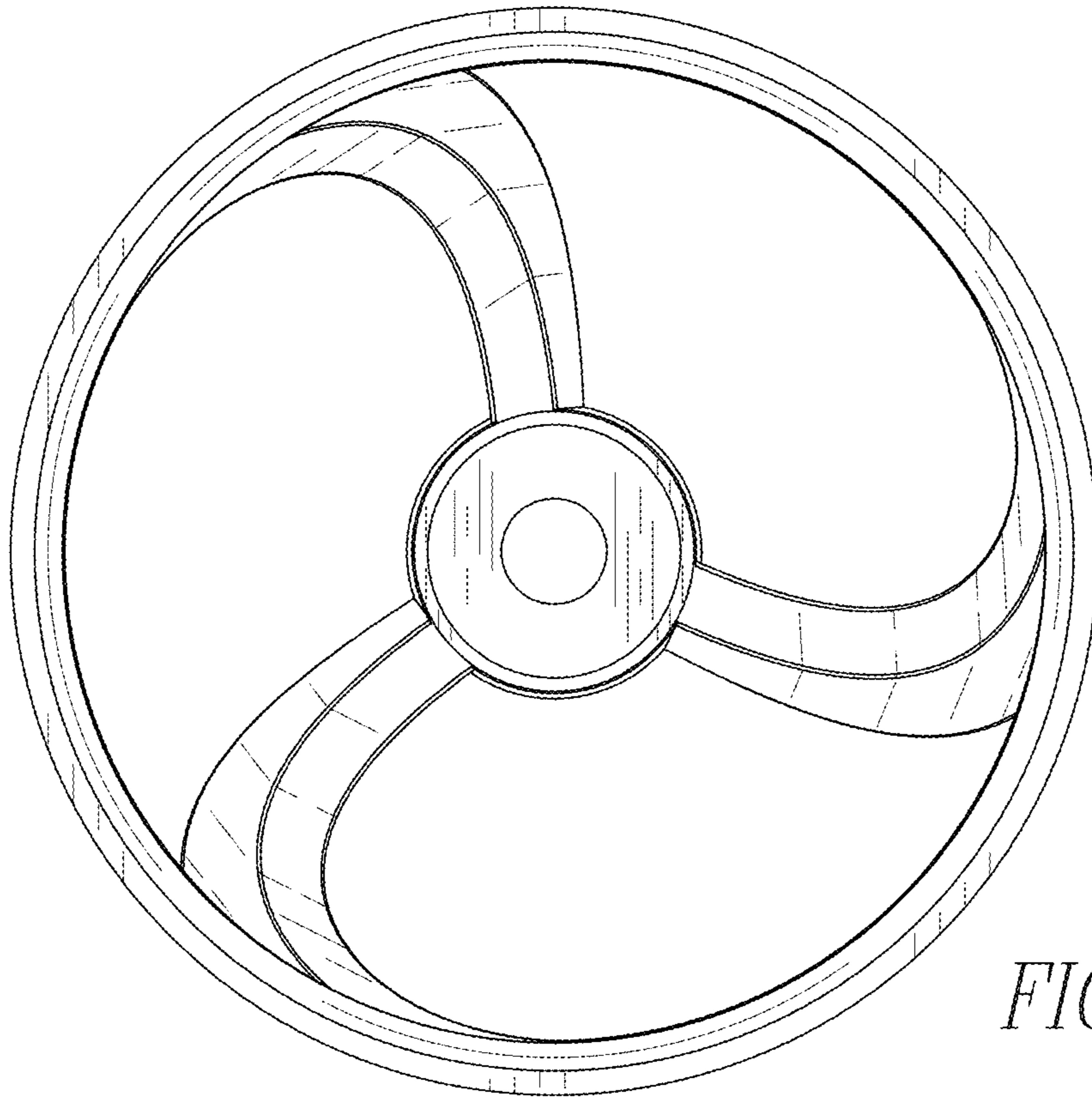


FIG. 5

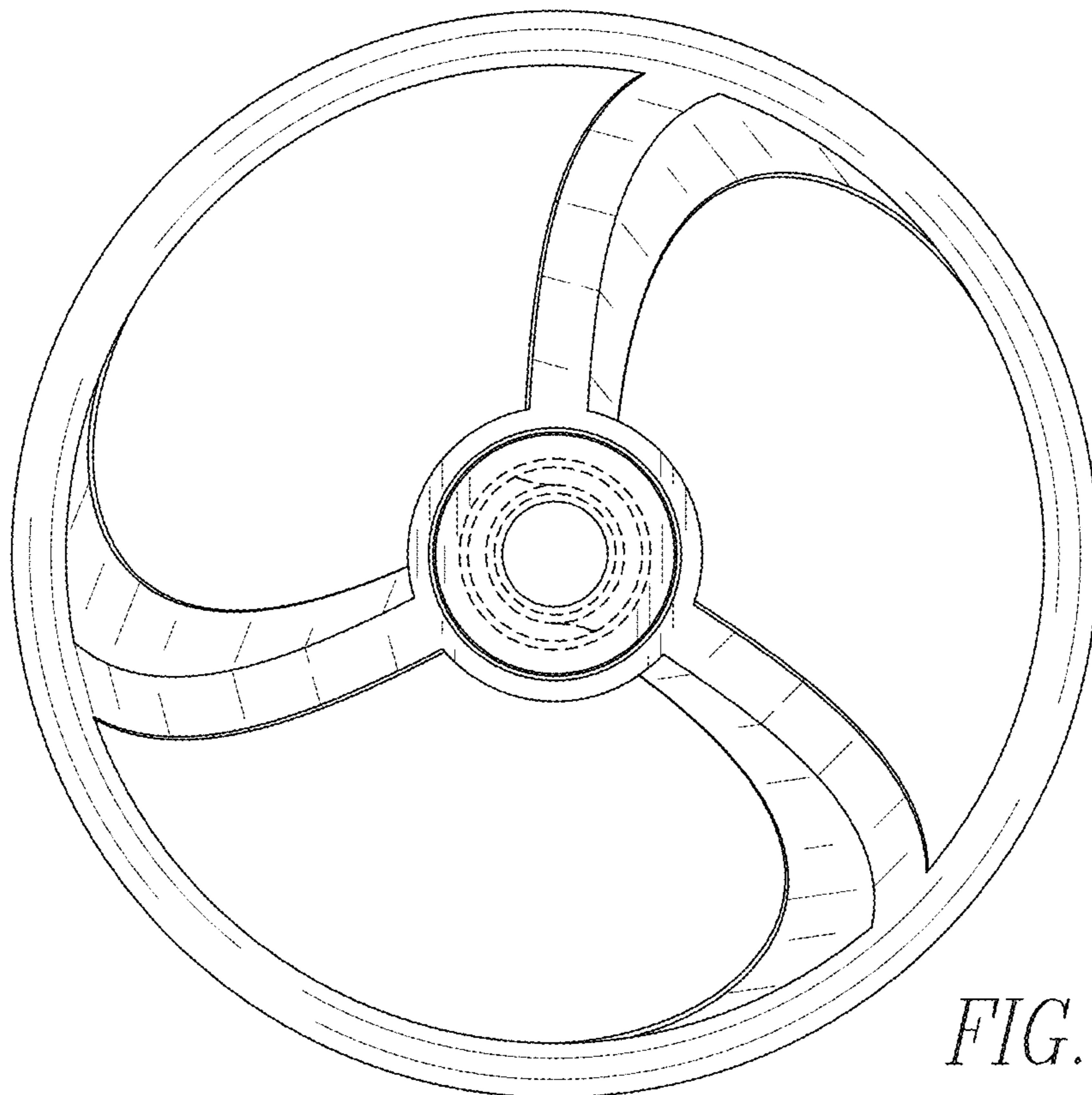


FIG. 6