



US00D940504S

(12) **United States Design Patent** (10) **Patent No.:** **US D940,504 S**
Mock et al. (45) **Date of Patent:** **** Jan. 11, 2022**

(54) **CITRUS REAMER ACCESSORY FOR A BLENDER**

(71) Applicant: **WHIRLPOOL CORPORATION**,
Benton Harbor, MI (US)

(72) Inventors: **Brandon T. Mock**, St. Joseph, MI
(US); **Aaron McNabb Evans**, St.
Joseph, MI (US)

(73) Assignee: **Whirlpool Corporation**, Benton
Harbor, MI (US)

(**) Term: **15 Years**

(21) Appl. No.: **29/799,780**

(22) Filed: **Jul. 16, 2021**

Related U.S. Application Data

(63) Continuation of application No. 29/767,898, filed on
Jan. 26, 2021, now Pat. No. Des. 925,283, which is a
continuation of application No. 29/718,098, filed on
Dec. 20, 2019, now Pat. No. Des. 909,133.

(51) **LOC (13) Cl.** **31-00**

(52) **U.S. Cl.**
USPC **D7/412; D7/376; D7/378; D7/413**

(58) **Field of Classification Search**
USPC **D7/372, 375-386, 392.1, 412-413, 533,**
D7/602, 629, 665-666, 669, 679,
D7/693-694

CPC **A21C 1/02; A21C 1/04; A23N 1/00; A23N**
1/02; A47J 43/04; A47J 43/25; A47J
43/27; A47J 43/042; A47J 43/044; A47J
43/046; A47J 43/075; A47J 43/0722;
A47J 43/0727; A47J 19/023; B01F 3/00;
B01F 3/0807; B01F 3/0853; B01F
13/0059; B01F 13/0064; B02C 1/08;
B02C 2/04; B02C 4/42; B02C 4/142;
B02C 4/143; B02C 4/423; B02C 13/1835;
B28C 5/10; B28C 5/12; B28C 5/14;
B28C 5/16; A23L 2/06

See application file for complete search history.

(56) **References Cited**

U.S. PATENT DOCUMENTS

2,677,947 A	5/1954	Van Guilder	
D225,792 S *	1/1973	Fritsche	D7/533
D251,405 S	3/1979	Ackeret	
D283,193 S	4/1986	Daenen	
D379,744 S	6/1997	Thackray	
D383,646 S	9/1997	Jeppesen et al.	
D387,610 S	12/1997	Hippen et al.	

(Continued)

Primary Examiner — Ricky Pham

(74) *Attorney, Agent, or Firm* — Price Heneveld LLP

(57) **CLAIM**

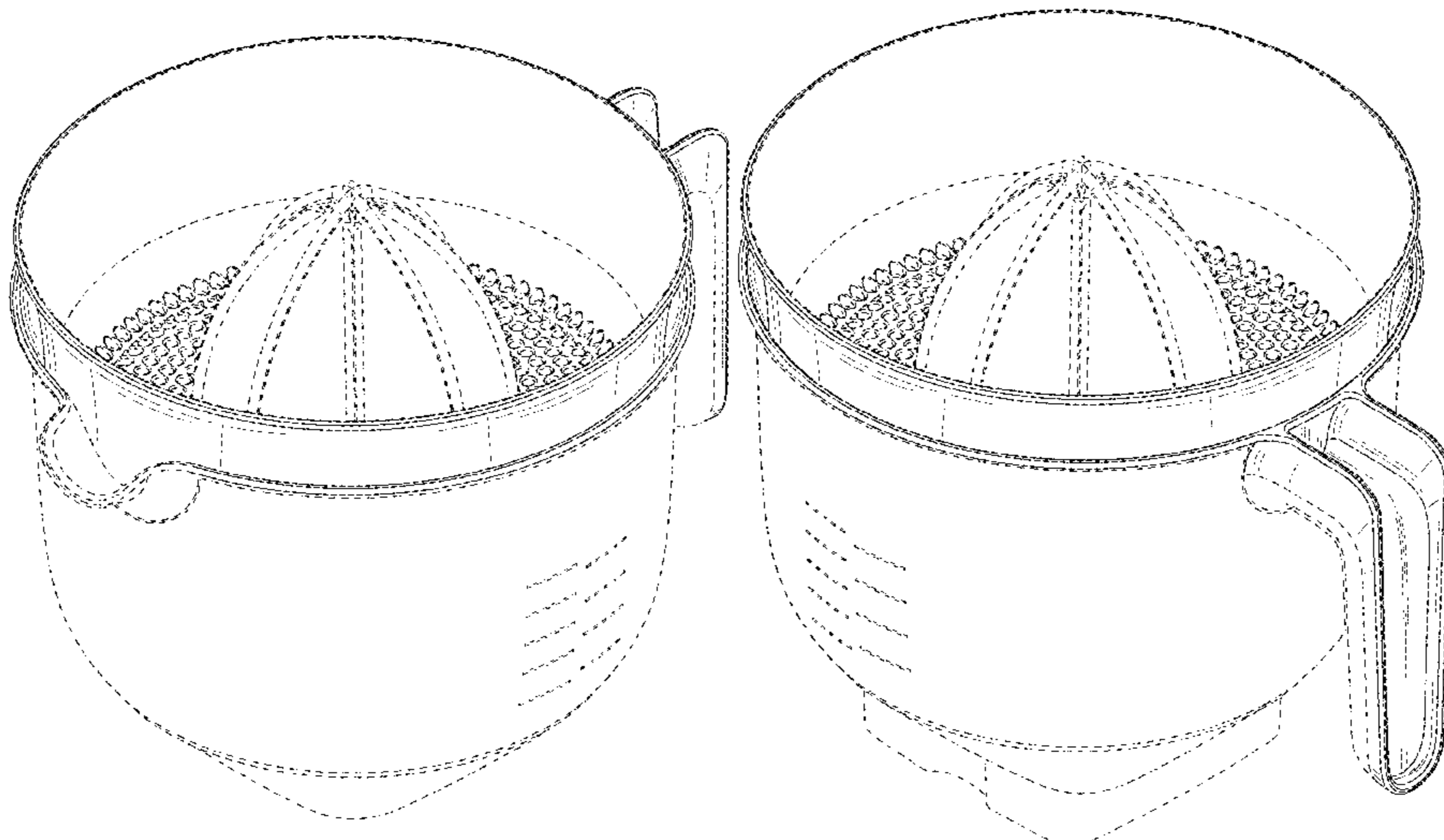
We claim the ornamental design for a citrus reamer accessory for a blender, as shown and described.

DESCRIPTION

FIG. 1 is a front perspective view of a citrus reamer accessory for a blender of the present disclosure;
FIG. 2 is a rear perspective view of the citrus reamer accessory of FIG. 1;
FIG. 3 is a front elevational view of the citrus reamer accessory of FIG. 1;
FIG. 4 is a rear elevational view of the citrus reamer accessory of FIG. 1;
FIG. 5 is a first side elevational view of the citrus reamer accessory of FIG. 1;
FIG. 6 is a second side elevational view of the citrus reamer accessory of FIG. 1;
FIG. 7 is a top plan view of the citrus reamer accessory of FIG. 1; and,
FIG. 8 is a bottom plan view of the citrus reamer accessory of FIG. 1.

The broken lines depict portions of the article that form no part of the claimed design.

1 Claim, 8 Drawing Sheets



(56)

References Cited

U.S. PATENT DOCUMENTS

D407,954 S	4/1999	Lehn			
D465,386 S	11/2002	Wang et al.			
D499,604 S	12/2004	Hooper et al.			
D598,713 S	8/2009	Luft			
D646,524 S *	10/2011	Kortleven	D7/533		
D653,902 S	2/2012	Chen			
D660,186 S	5/2012	Williams et al.			
D668,915 S	10/2012	Drees			
D673,426 S	1/2013	Heiberg et al.			
D678,727 S *	3/2013	Kolar	D7/533		
D702,487 S	4/2014	Gillette et al.			
D712,702 S	9/2014	Stamper et al.			
9,095,169 B1 *	8/2015	Foley	A23L 2/06		
D737,619 S	9/2015	Cornu et al.			
9,220,372 B2	12/2015	Benoit et al.			
D753,951 S	4/2016	Cornu et al.			
D805,359 S *	12/2017	Kim	D7/665		
D824,213 S	7/2018	Abrell			
D836,409 S *	12/2018	Silsby	D7/665		
D865,437 S	11/2019	Steiner et al.			
D869,226 S	12/2019	Saubert et al.			
D869,238 S *	12/2019	Saubert	D7/412		
D871,832 S *	1/2020	Marina	D7/392.1		
D878,167 S	3/2020	XiangZe			
D903,434 S	12/2020	Chen			
D905,508 S	12/2020	Krus			
D909,133 S	2/2021	Mock et al.			
D925,283 S *	7/2021	Mock	D7/412		
D925,980 S *	7/2021	McConnell	D7/413		
2003/0005832 A1	1/2003	Wang et al.			
2007/0125244 A1	6/2007	Hensel			
2007/0272091 A1 *	11/2007	Hsien	A47J 19/023 99/501		
2010/0084370 A1	4/2010	Ranzoni			
2010/0208548 A1 *	8/2010	Hemelgarn	A47J 43/0727 366/198		

* cited by examiner

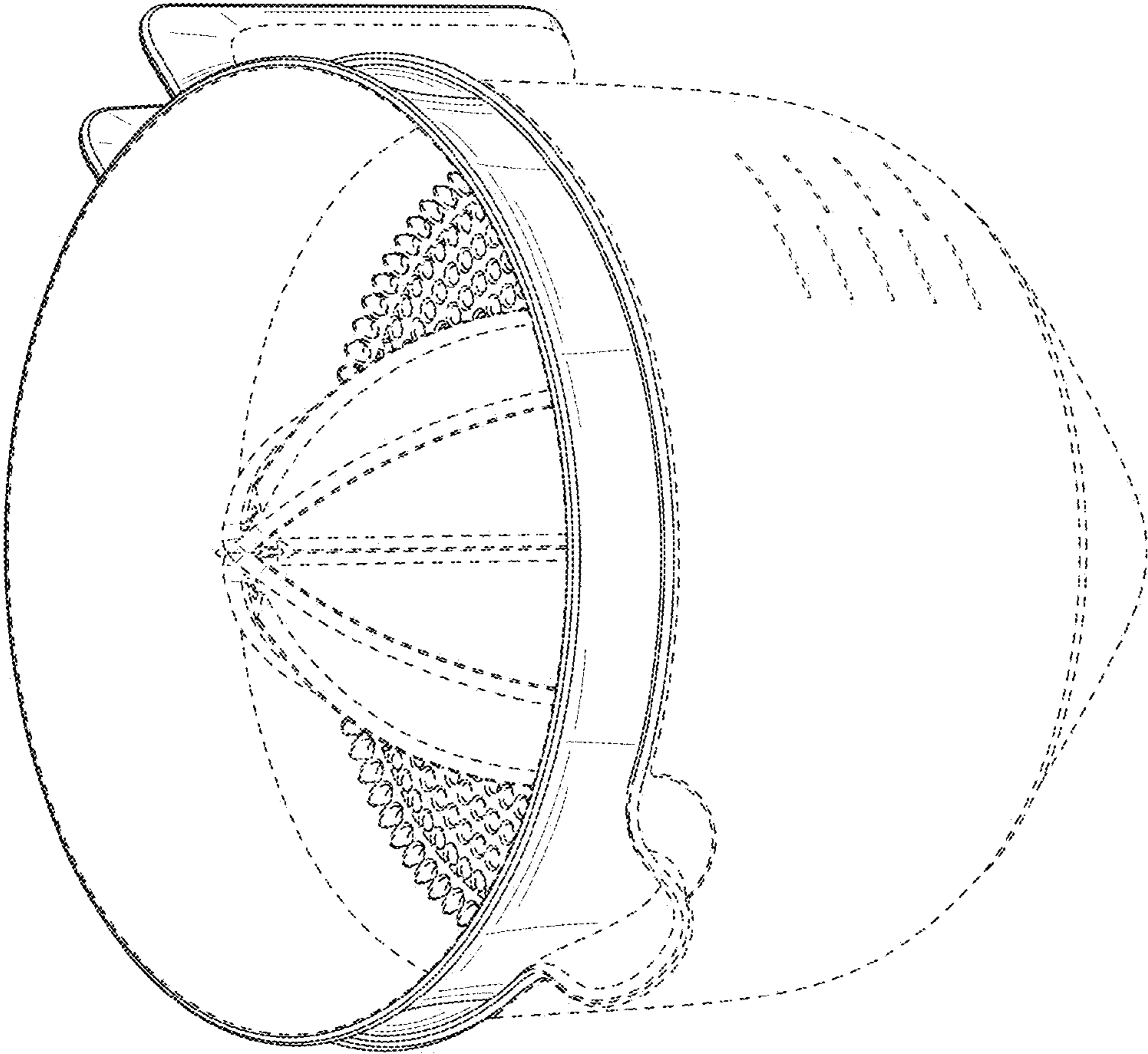


FIG. 1

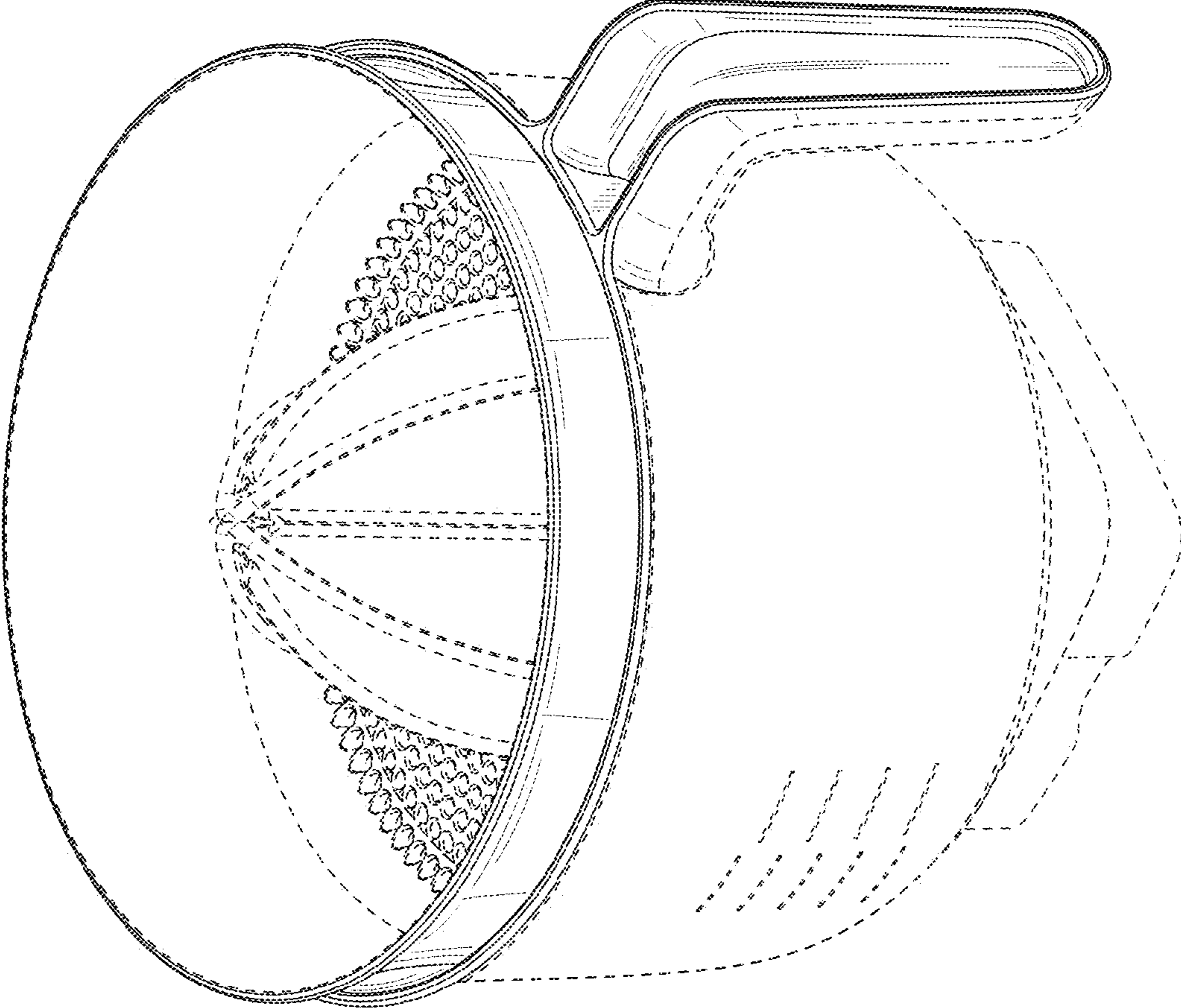


FIG. 2

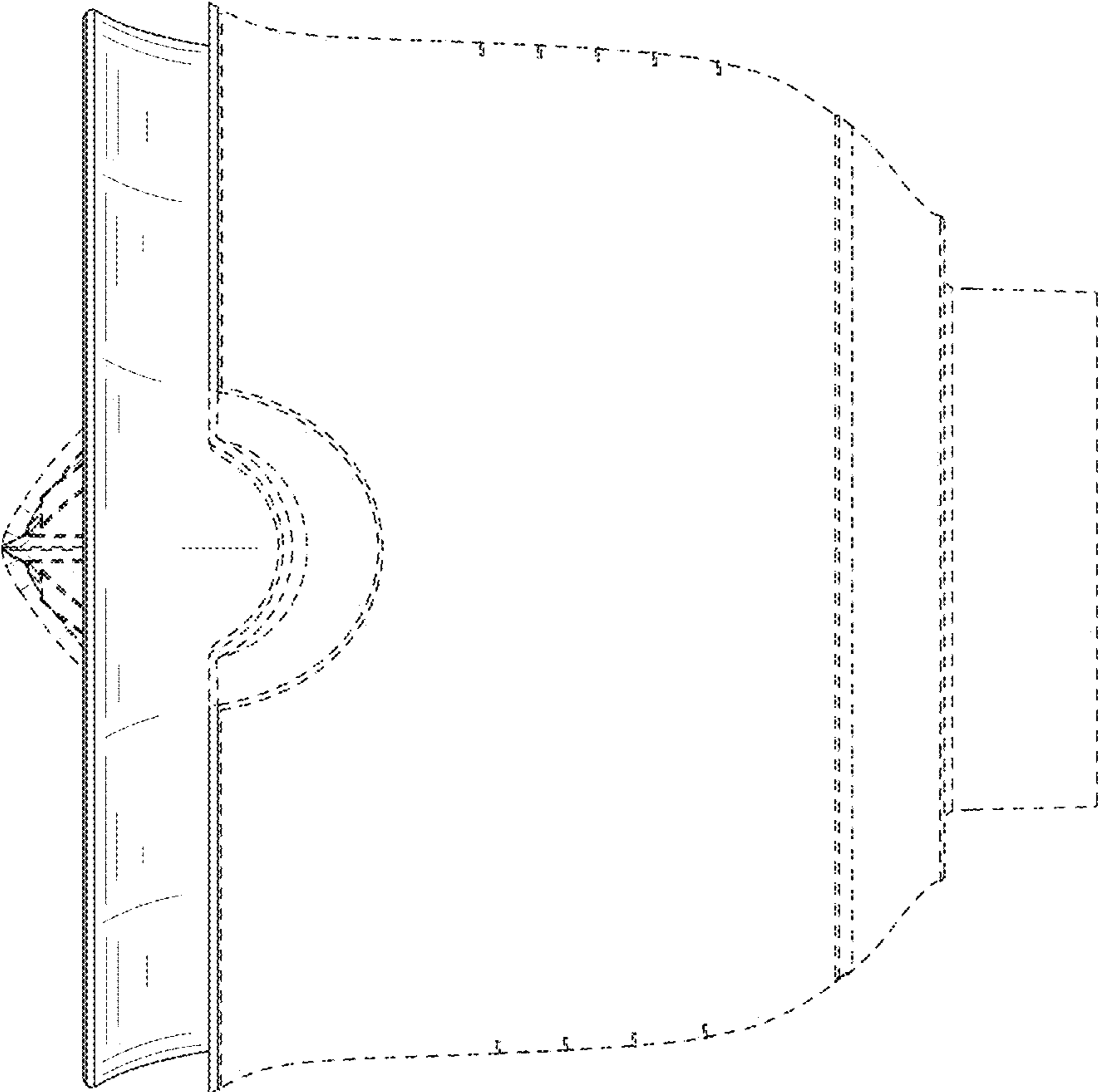


FIG. 3

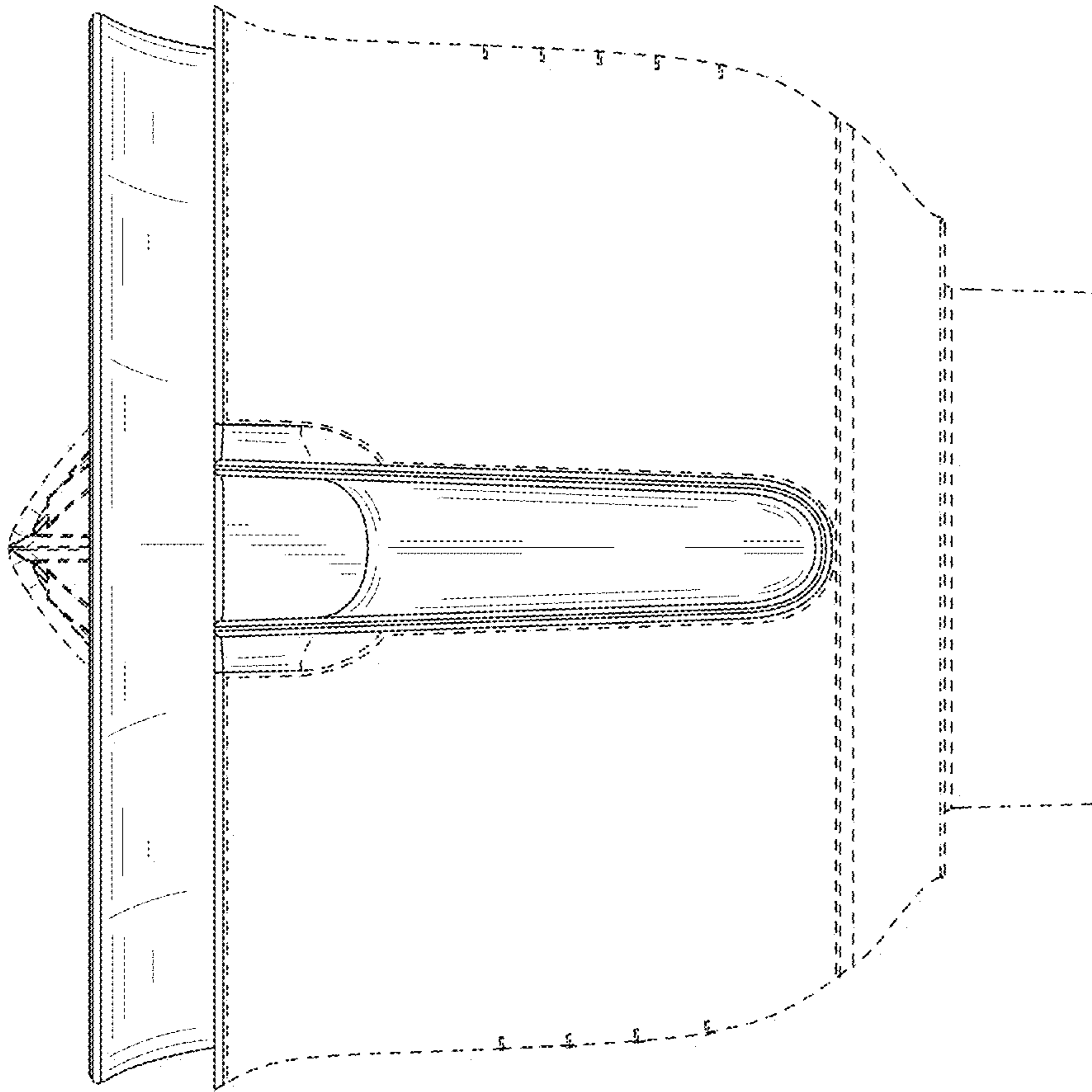


FIG. 4

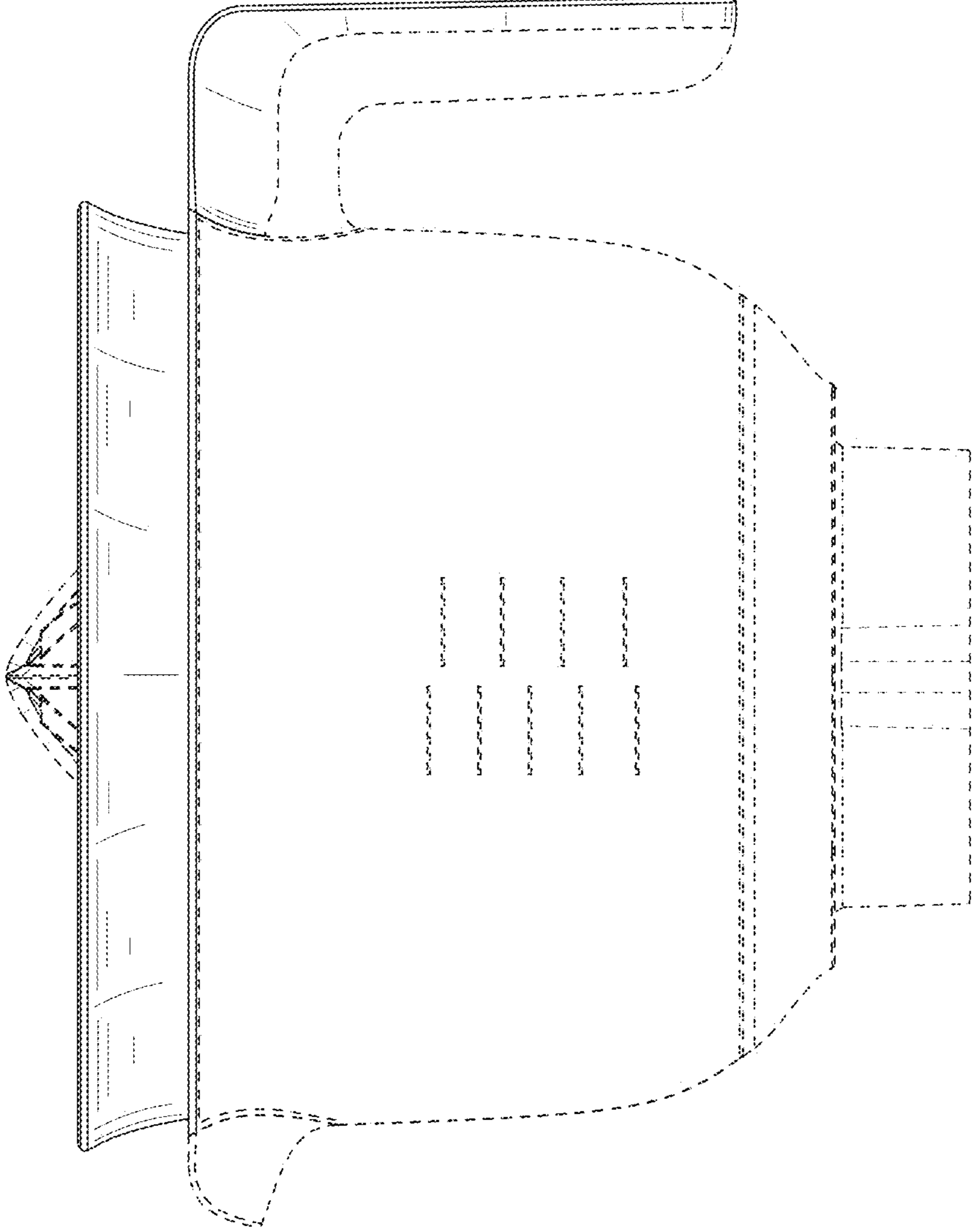


FIG. 5

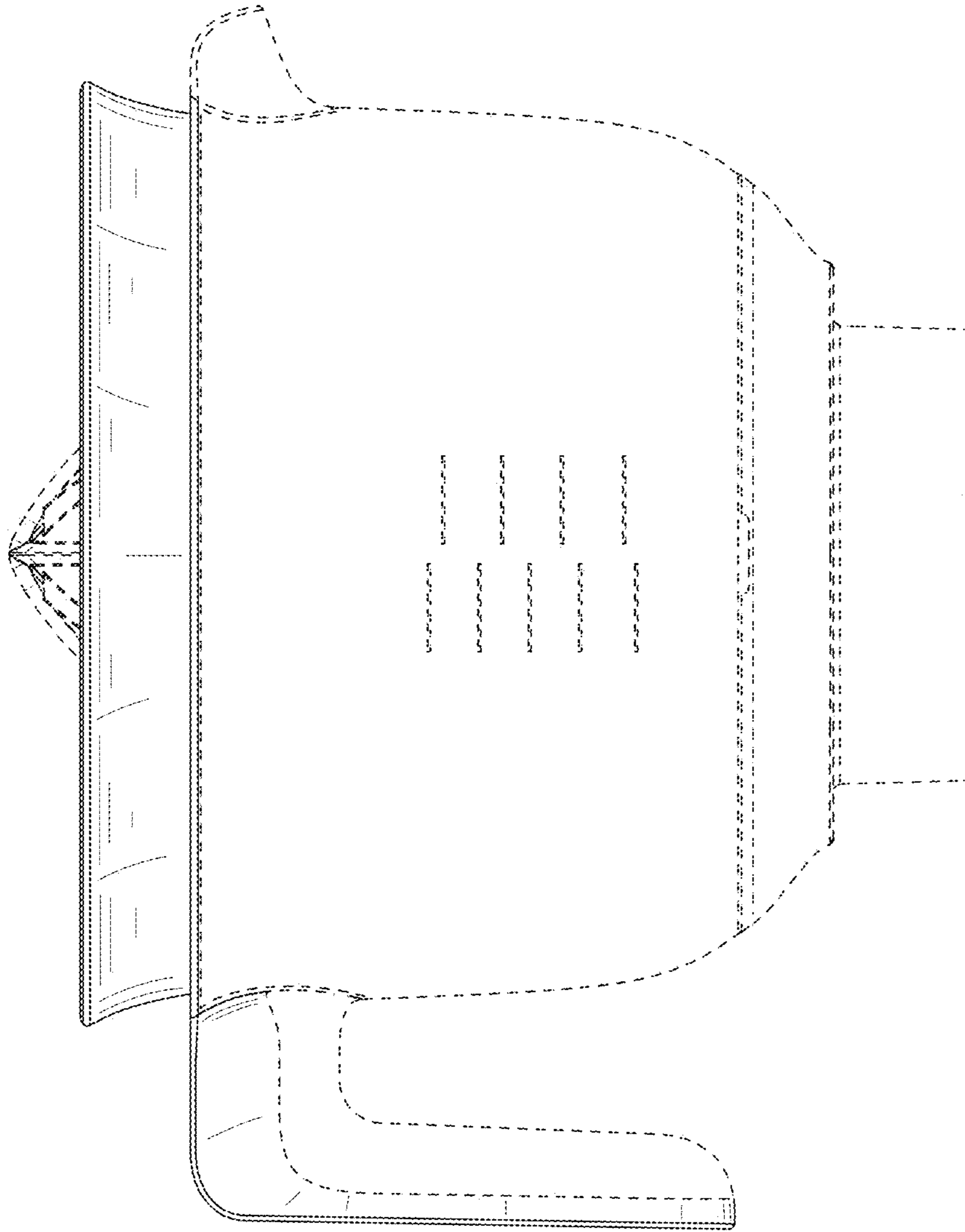


FIG. 6

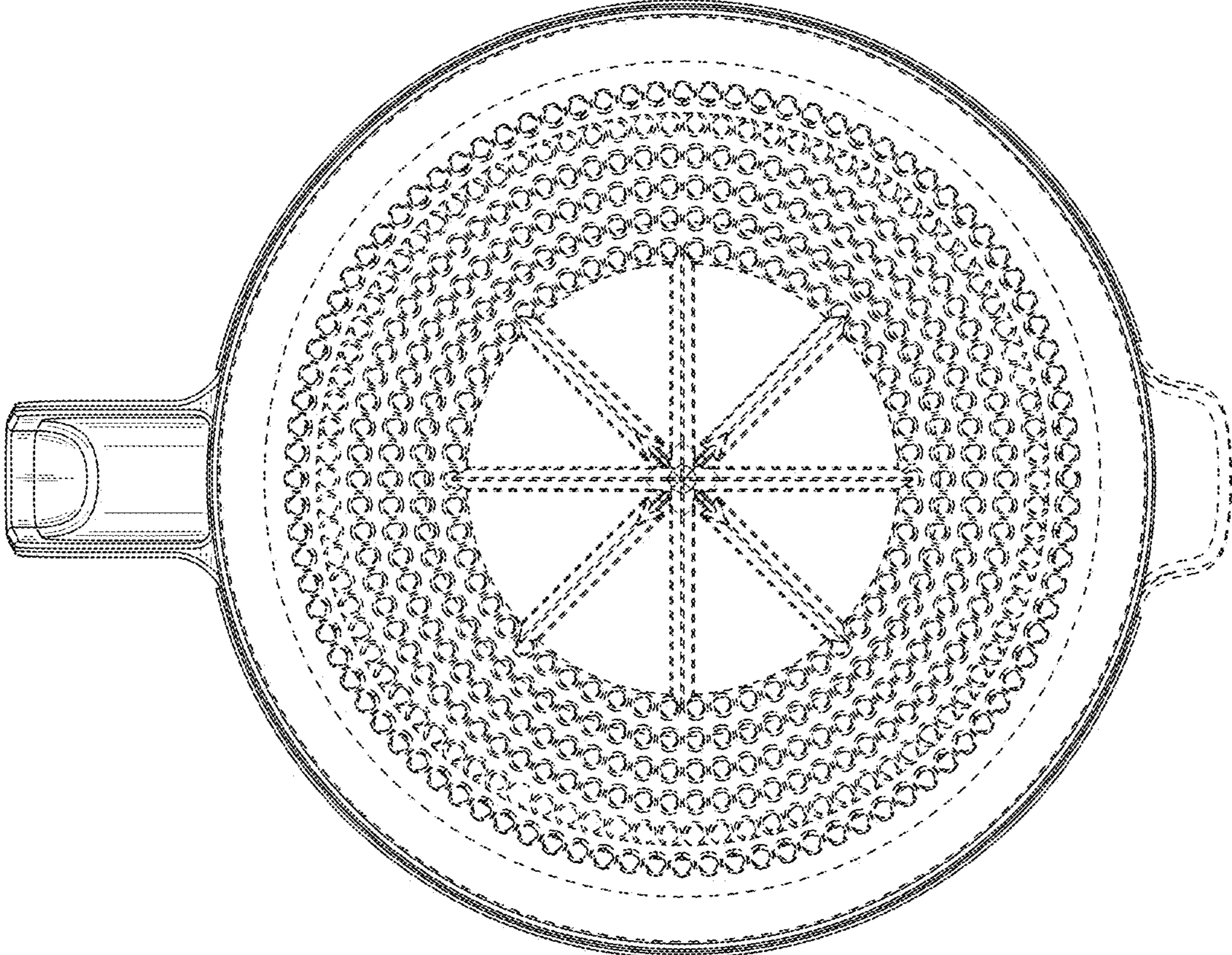


FIG. 7

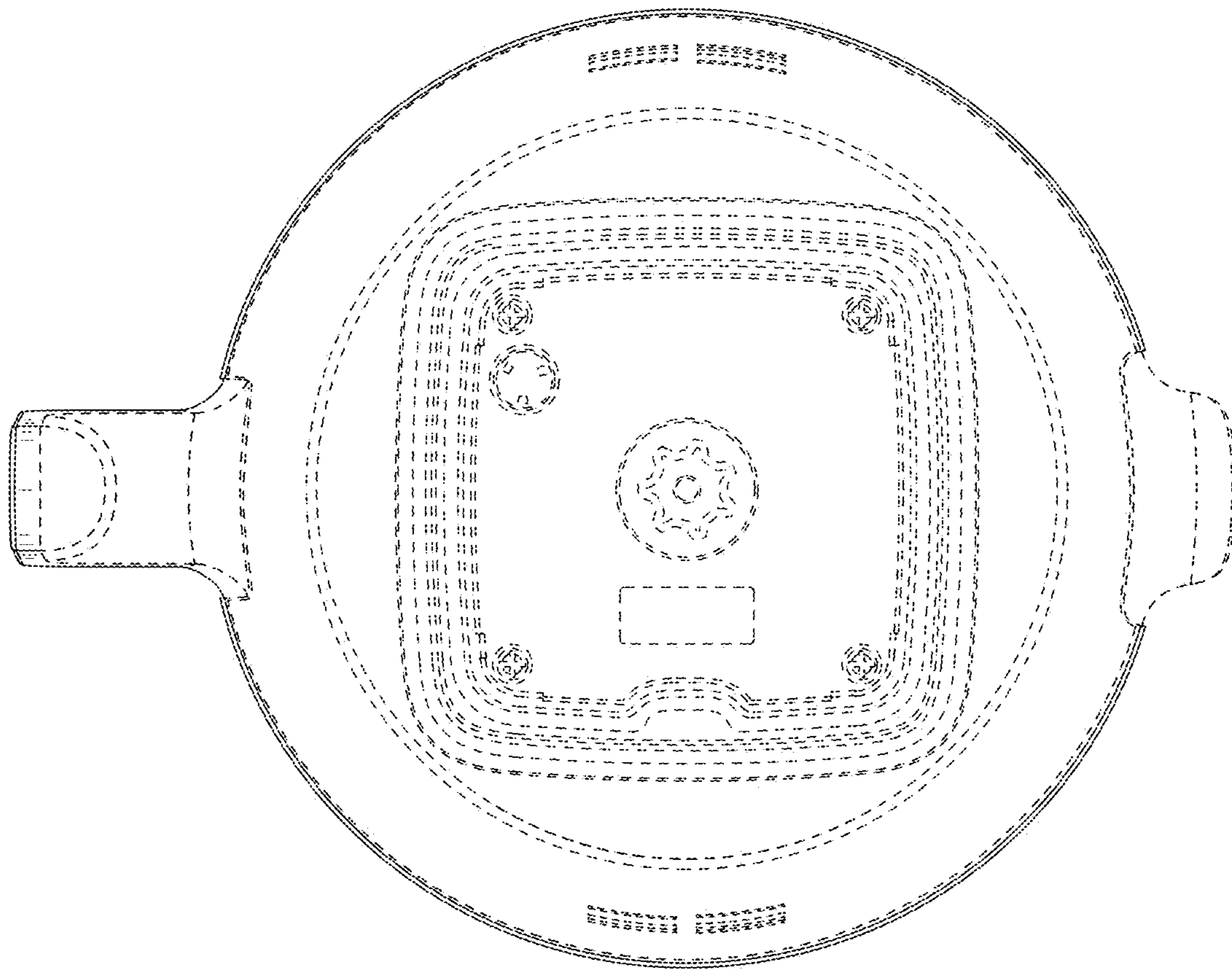


FIG. 8