



(12) **United States Design Patent** (10) **Patent No.:** **US D940,501 S**
Burga et al. (45) **Date of Patent:** **** Jan. 11, 2022**

(54) **STRAW CAP**

- (71) Applicant: **Helen of Troy Limited**, St. Michael (BB)
- (72) Inventors: **Jeffrey Thomas Burga**, Bend, OR (US); **Benjamin Robert Hein**, Bend, OR (US); **Conor McNamara**, Montclair, NJ (US); **Justin William Taylor**, Bend, OR (US); **Jarett Alexander Volkoff**, Bend, OR (US)
- (73) Assignee: **Helen of Troy Limited**, St. Michael (BB)
- (**) Term: **15 Years**
- (21) Appl. No.: **29/734,859**
- (22) Filed: **May 15, 2020**
- (51) **LOC (13) Cl.** **09-07**
- (52) **U.S. Cl.**
 USPC **D7/392.1; D9/443; D7/396.2**
- (58) **Field of Classification Search**
 USPC D9/439, 440, 442-449, 682, 685, 686, D9/435, 450, 454; D6/515; D7/507, D7/509-511, 523, 391, 392, 392.1, 396.2
 CPC B65D 83/205; B65D 83/206; B65D 83/40; B65D 2543/00046; A47G 19/2272
 See application file for complete search history.

(56) **References Cited**
 U.S. PATENT DOCUMENTS

D387,621 S	12/1997	Sullivan et al.
D649,879 S	12/2011	Gullickson et al.
D685,606 S	7/2013	Keys et al.
D700,014 S	2/2014	Zeanah
D704,986 S	5/2014	Manies
D720,218 S	12/2014	Hutson
D786,012 S	5/2017	Hein
D799,320 S	10/2017	Goodwin
D806,468 S	1/2018	Goodwin
D812,966 S	3/2018	Muroskey
D814,855 S	4/2018	Hammer

(Continued)

OTHER PUBLICATIONS

Hydro Flask Straw Lid / Water bottle, 2018, world design guide review post, URL: <https://ifworlddesignguide.com/entry/258135-hydro-flask-straw-lid> (Year: 2018).*

Primary Examiner — Brett Miller
Assistant Examiner — Rani J Abdallah
 (74) *Attorney, Agent, or Firm* — Rankin, Hill & Clark LLP

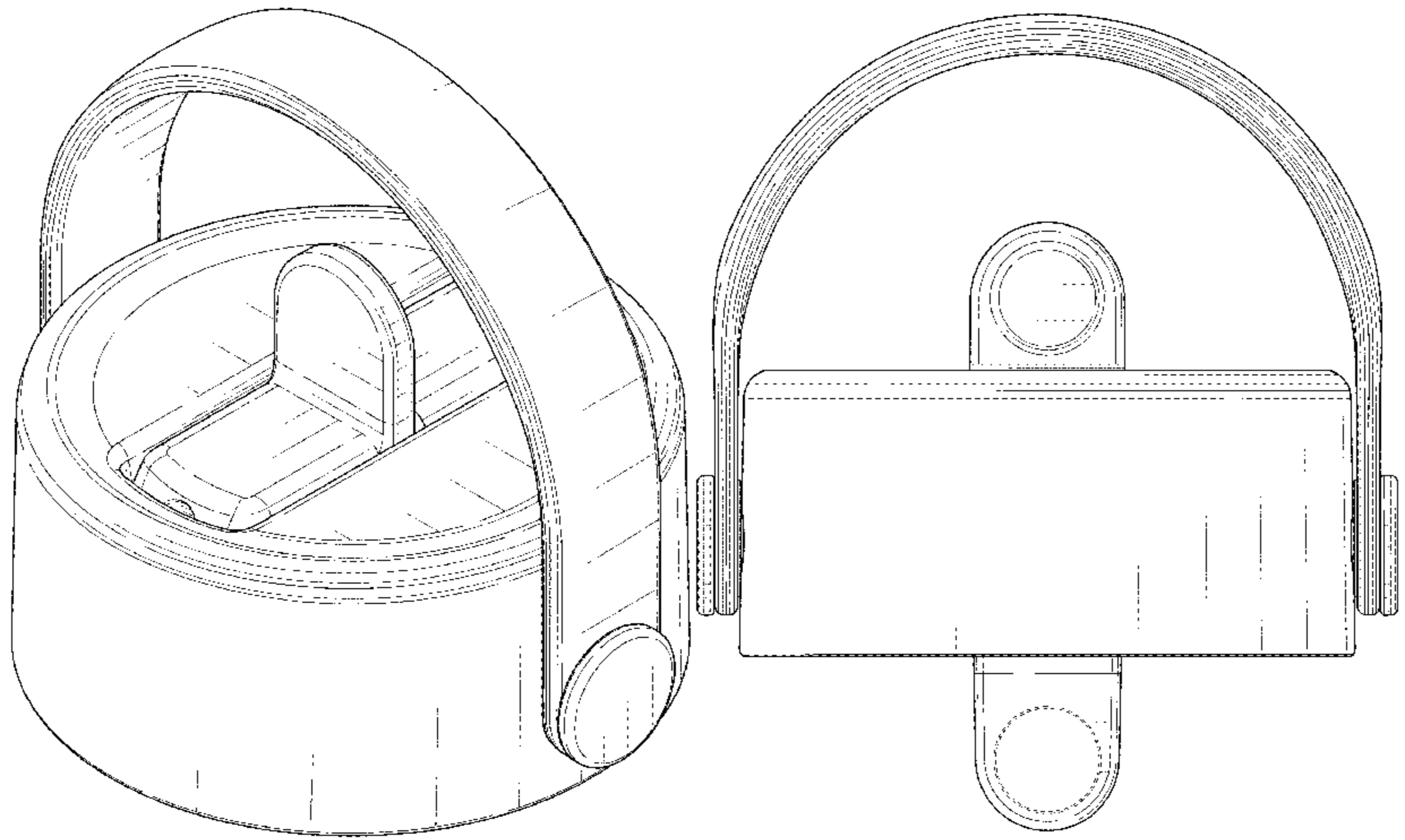
(57) **CLAIM**

The ornamental design for a straw cap, as shown and described.

DESCRIPTION

FIG. 1 is a top, right side perspective view of a new, original and ornamental design for a straw cap, a nozzle of the straw cap in a closed position and a strap of the straw cap in an upright position;
 FIG. 2 is a front elevation of FIG. 1;
 FIG. 3 is a rear elevation view of FIG. 1;
 FIG. 4 is a left side elevation view of FIG. 1, a right side elevation view being a mirror image of FIG. 4;
 FIG. 5 is a top plan view of FIG. 1;
 FIG. 6 is a bottom plan view of FIG. 1;
 FIG. 7 is a top, right side perspective view of the straw cap, the nozzle of the straw cap in an open position and the strap of the straw cap in folded down position;
 FIG. 8 is a front elevation of FIG. 7;
 FIG. 9 is a rear elevation view of FIG. 7;
 FIG. 10 is a left side elevation view of FIG. 7, a right side elevation view being a mirror image of FIG. 10;
 FIG. 11 is a top plan view of FIG. 7; and,
 FIG. 12 is a bottom plan view of FIG. 7.
 The broken lines in the drawings depict portions of the straw cap that form no part of the claimed design.

1 Claim, 12 Drawing Sheets



(56)

References Cited

U.S. PATENT DOCUMENTS

D823,061 S 7/2018 Murosky
 10,017,301 B2* 7/2018 Hein B65D 51/242
 D838,549 S 1/2019 Gu
 D842,646 S 3/2019 Silsby
 D844,376 S 4/2019 Rosette
 D849,482 S 5/2019 Diener
 D872,522 S 1/2020 Diener et al.
 D872,524 S* 1/2020 Bo D7/392.1
 D875,466 S* 2/2020 Diener D7/396.2
 D881,642 S 4/2020 Zhang
 D885,823 S* 6/2020 Ayres D7/392
 D886,517 S* 6/2020 Bo D7/392.1
 D887,776 S* 6/2020 Bo D7/392.1
 D893,245 S* 8/2020 Zhang D7/392.1
 D894,671 S* 9/2020 Huang D7/392.1
 D894,672 S* 9/2020 Huang D7/392.1
 D895,351 S* 9/2020 Taylor D7/392.1

D897,761 S* 10/2020 Zhang D7/392.1
 D899,848 S* 10/2020 Zhang D7/392.1
 D900,539 S* 11/2020 Yao D7/392.1
 D903,405 S* 12/2020 Zhang D7/392.1
 D904,109 S* 12/2020 Yao D7/392.1
 D905,498 S* 12/2020 Zhang D7/392.1
 D905,499 S* 12/2020 Zhang D7/392.1
 D906,042 S* 12/2020 Chen D7/392.1
 D911,099 S* 2/2021 Volkoff D7/392.1
 D911,100 S* 2/2021 Chen D7/392.1
 D911,771 S* 3/2021 Zhang D7/392.1
 D917,956 S* 5/2021 Yao D7/392
 D917,960 S* 5/2021 Yao D7/392
 D924,000 S* 7/2021 Chen D7/392.1
 D925,993 S* 7/2021 Volkoff D7/510
 2006/0226110 A1 10/2006 Choi
 2014/0138395 A1 5/2014 Joy
 2016/0318693 A1 11/2016 Hein
 2018/0362221 A1 12/2018 Hooks
 2021/0070508 A1* 3/2021 McNamara B65D 47/20

* cited by examiner

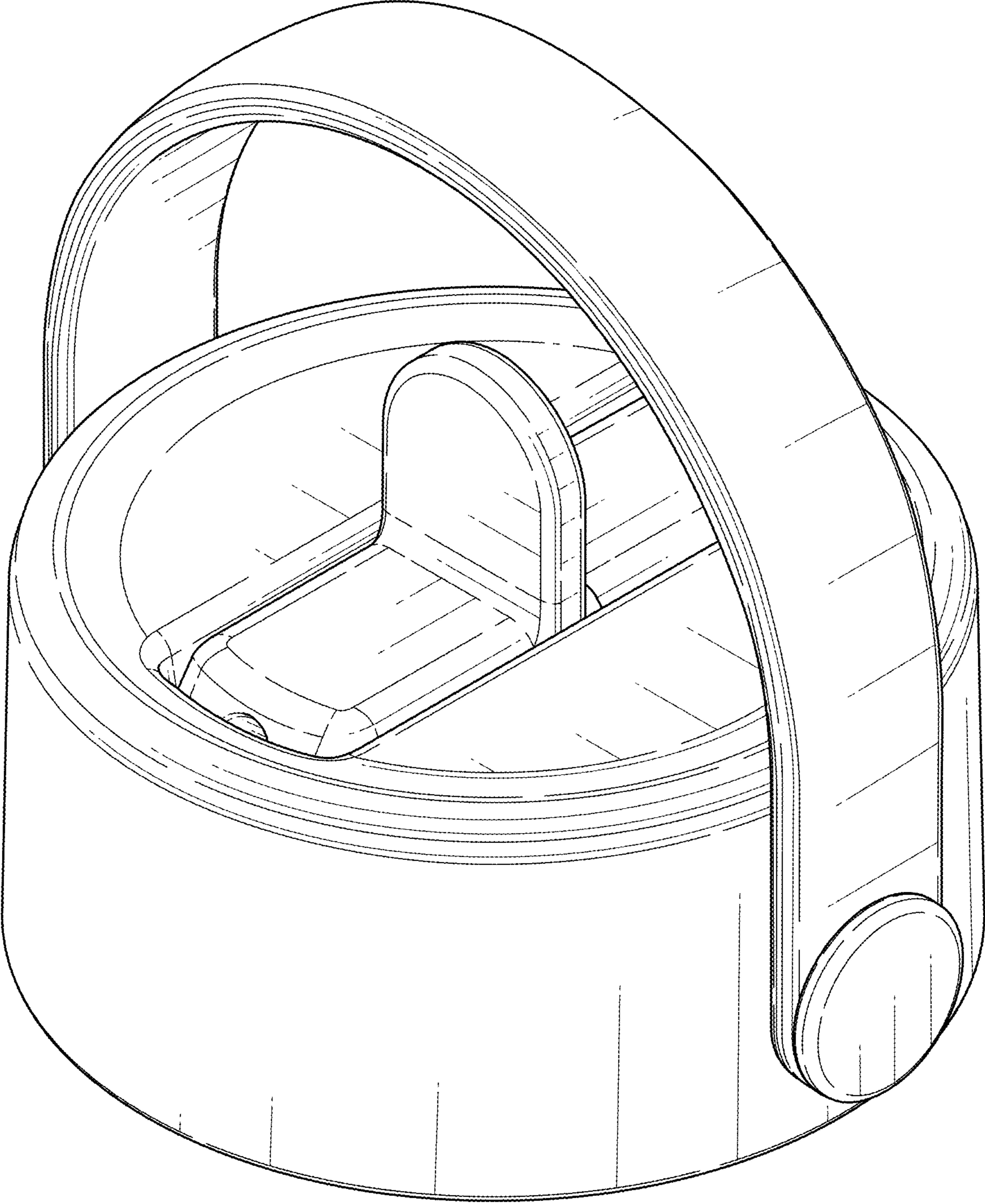


FIG. 1

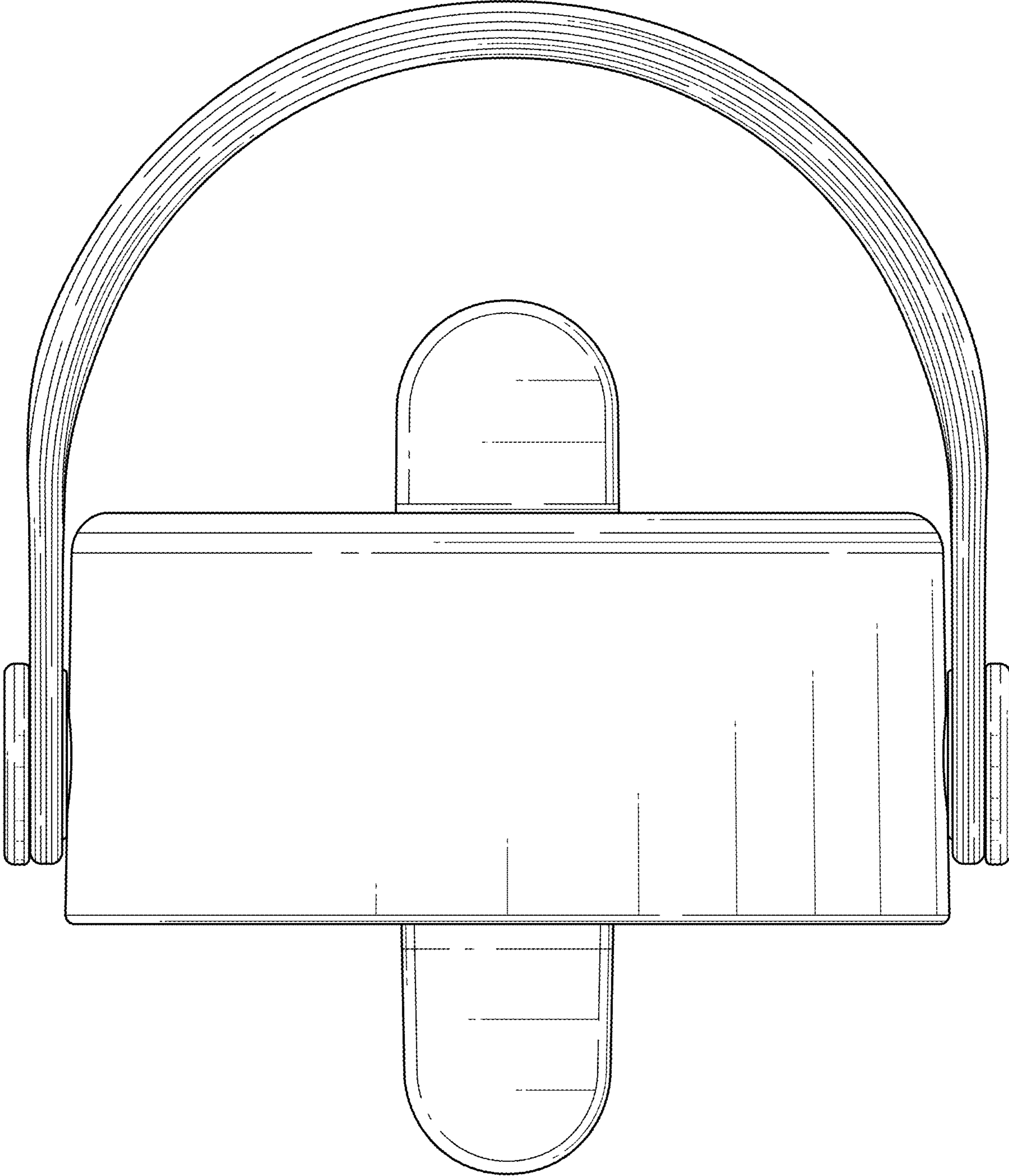


FIG. 2

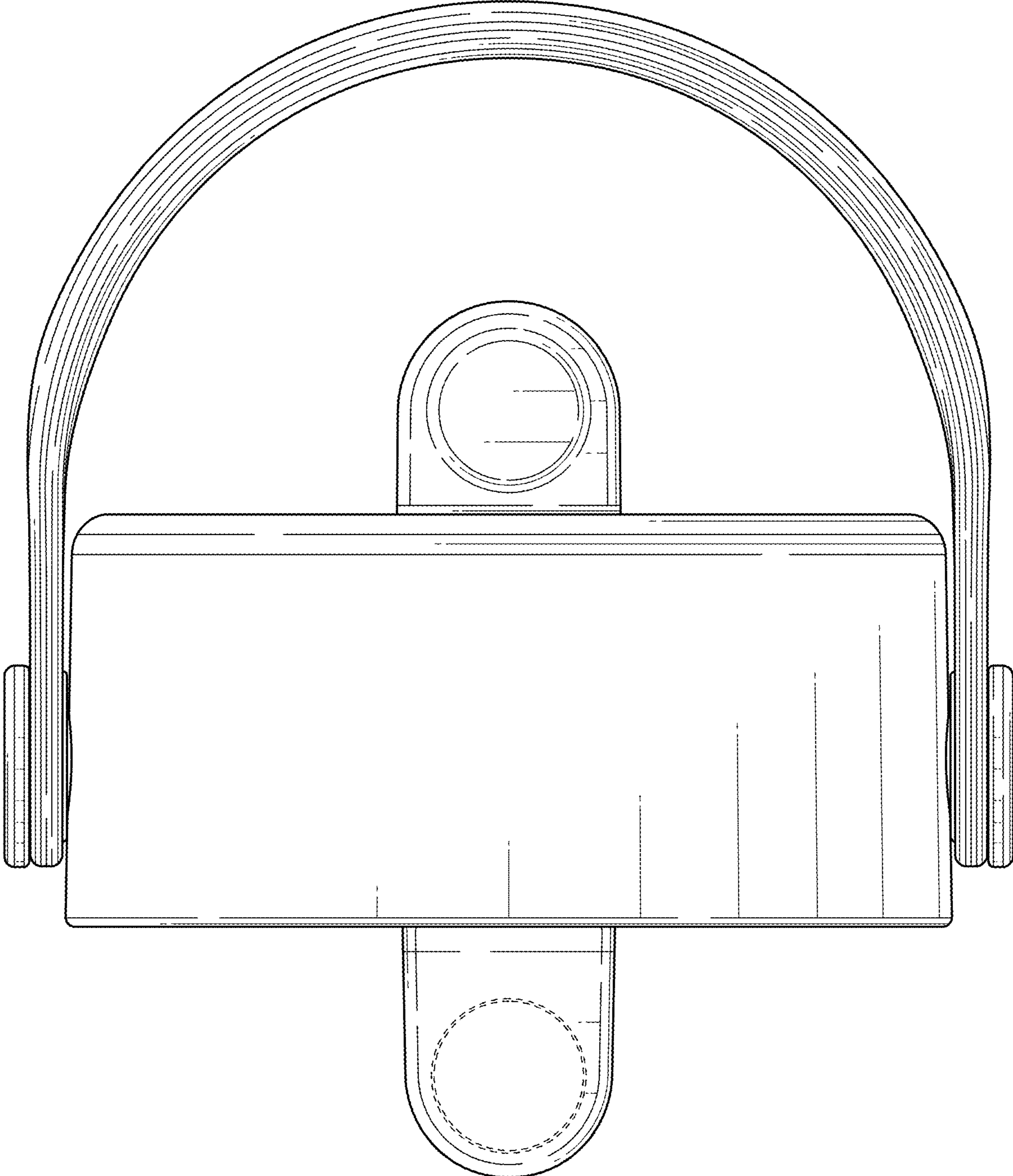


FIG. 3

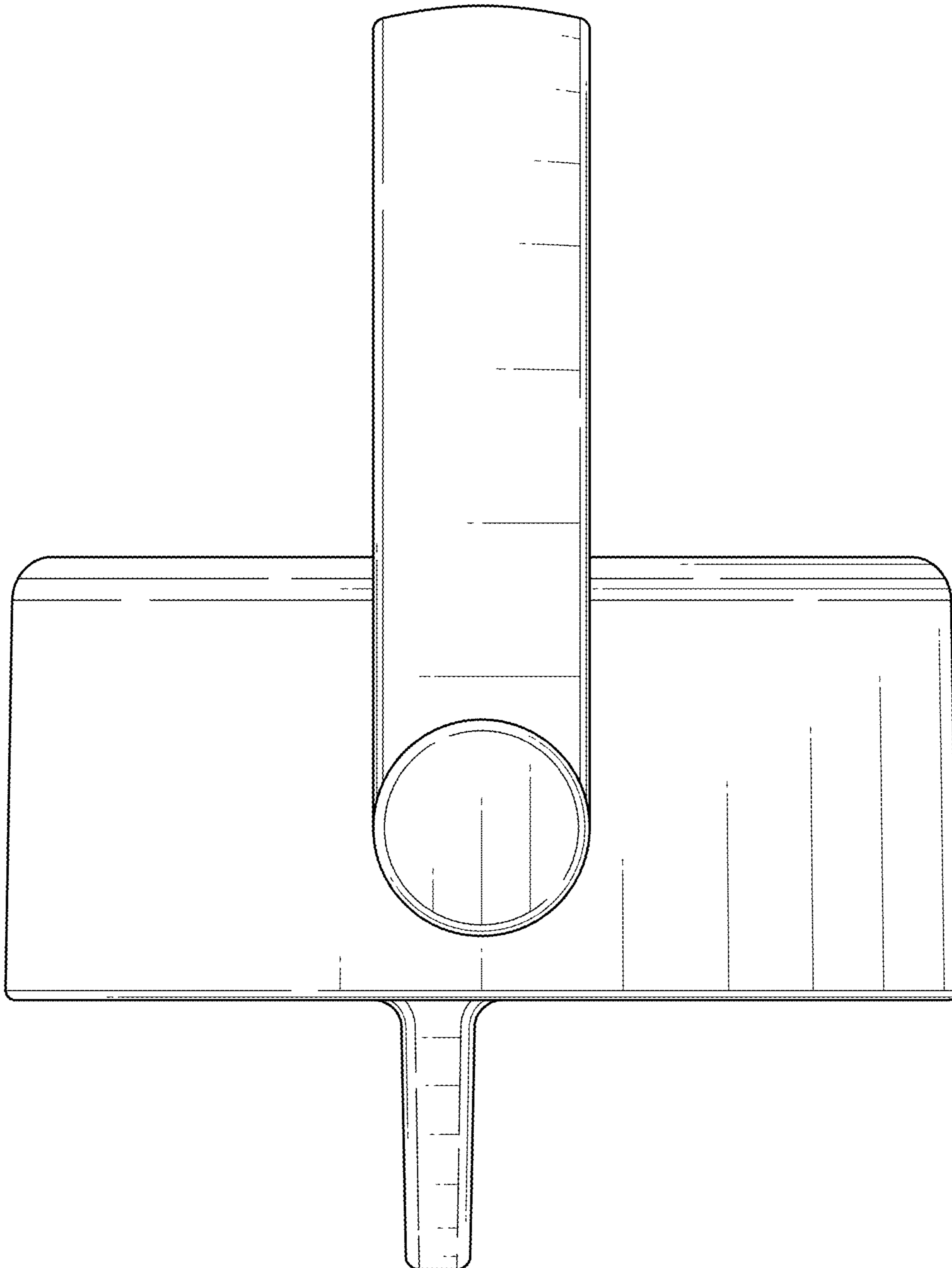


FIG. 4

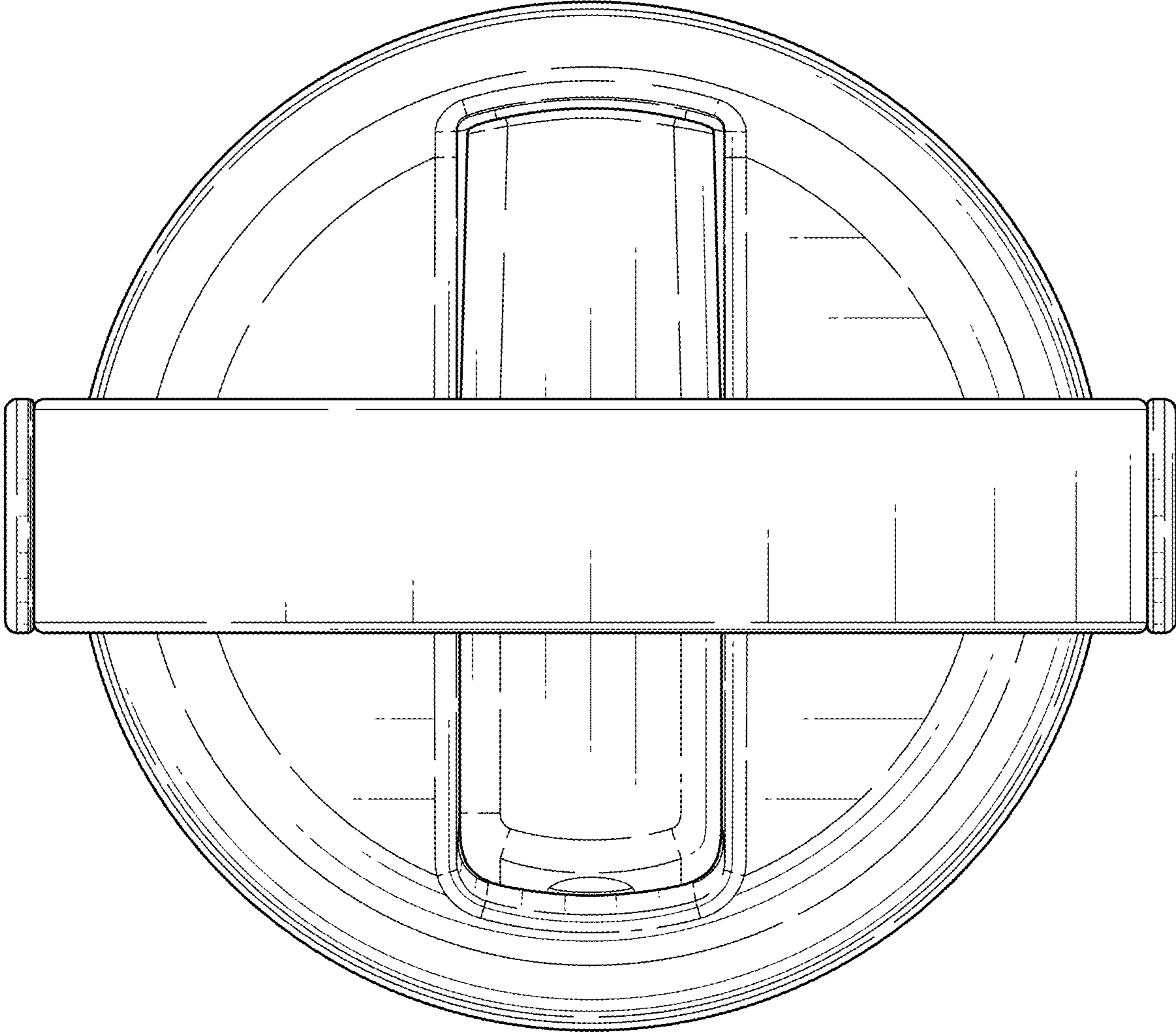


FIG. 5

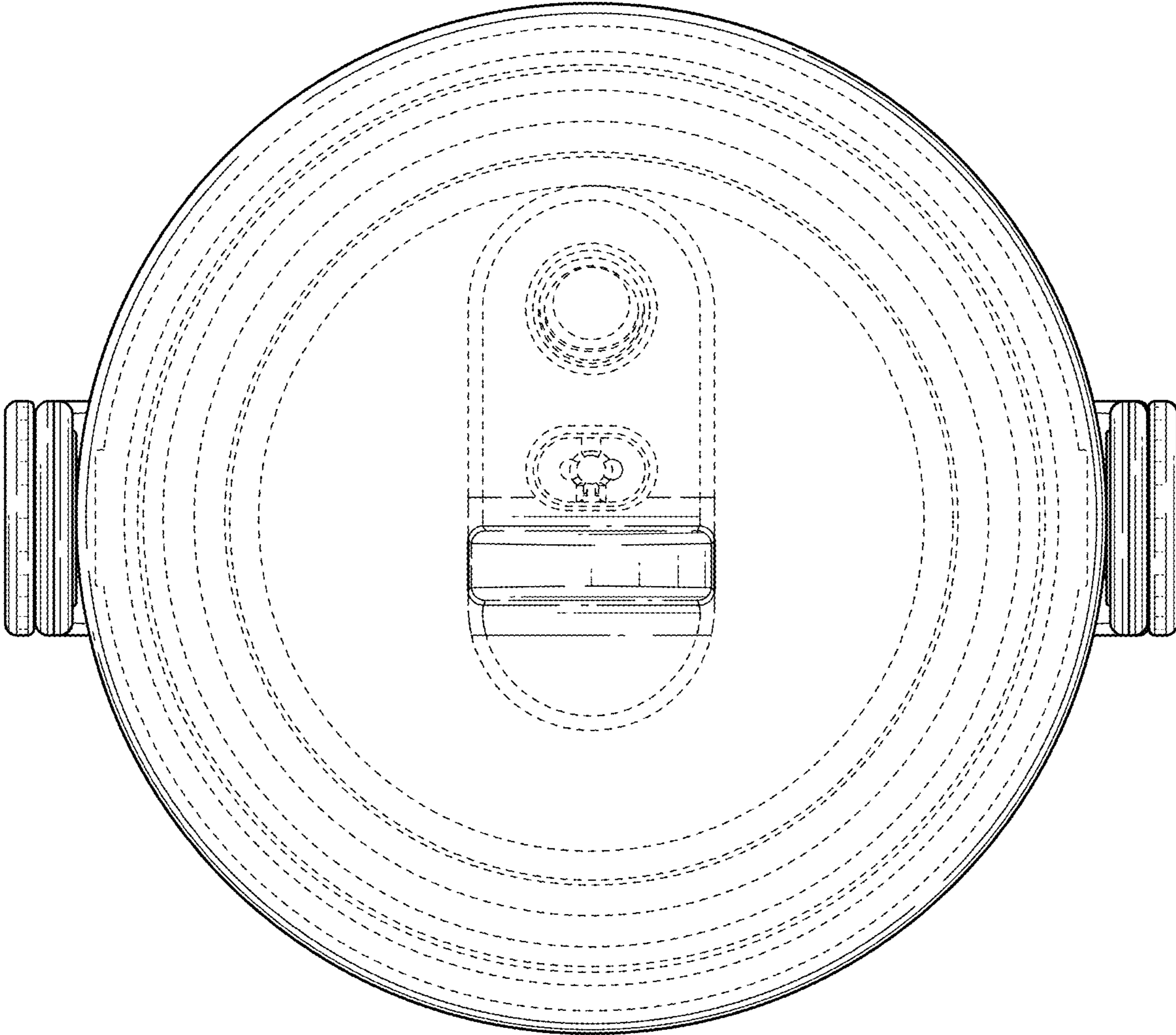


FIG. 6

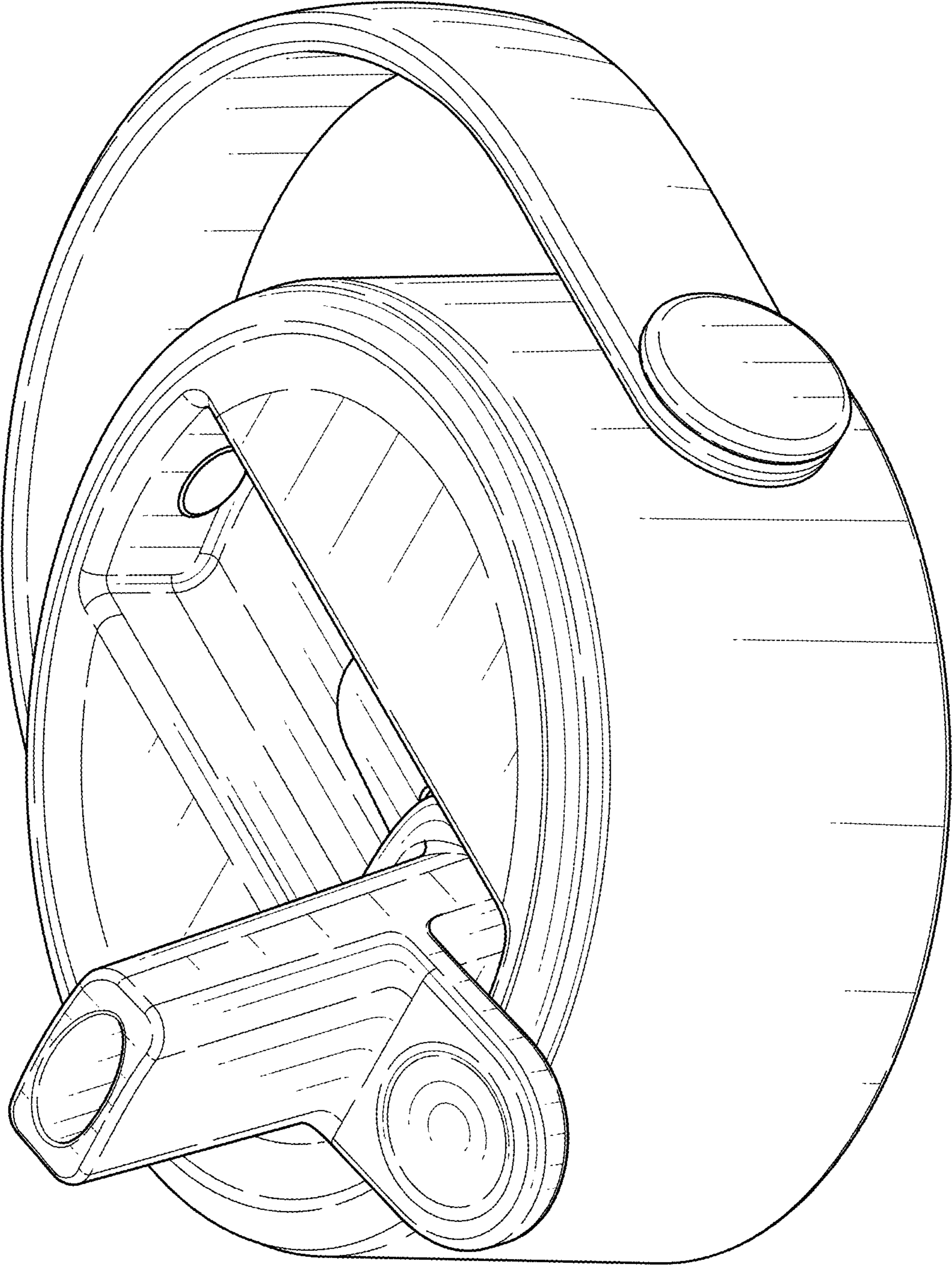


FIG. 7

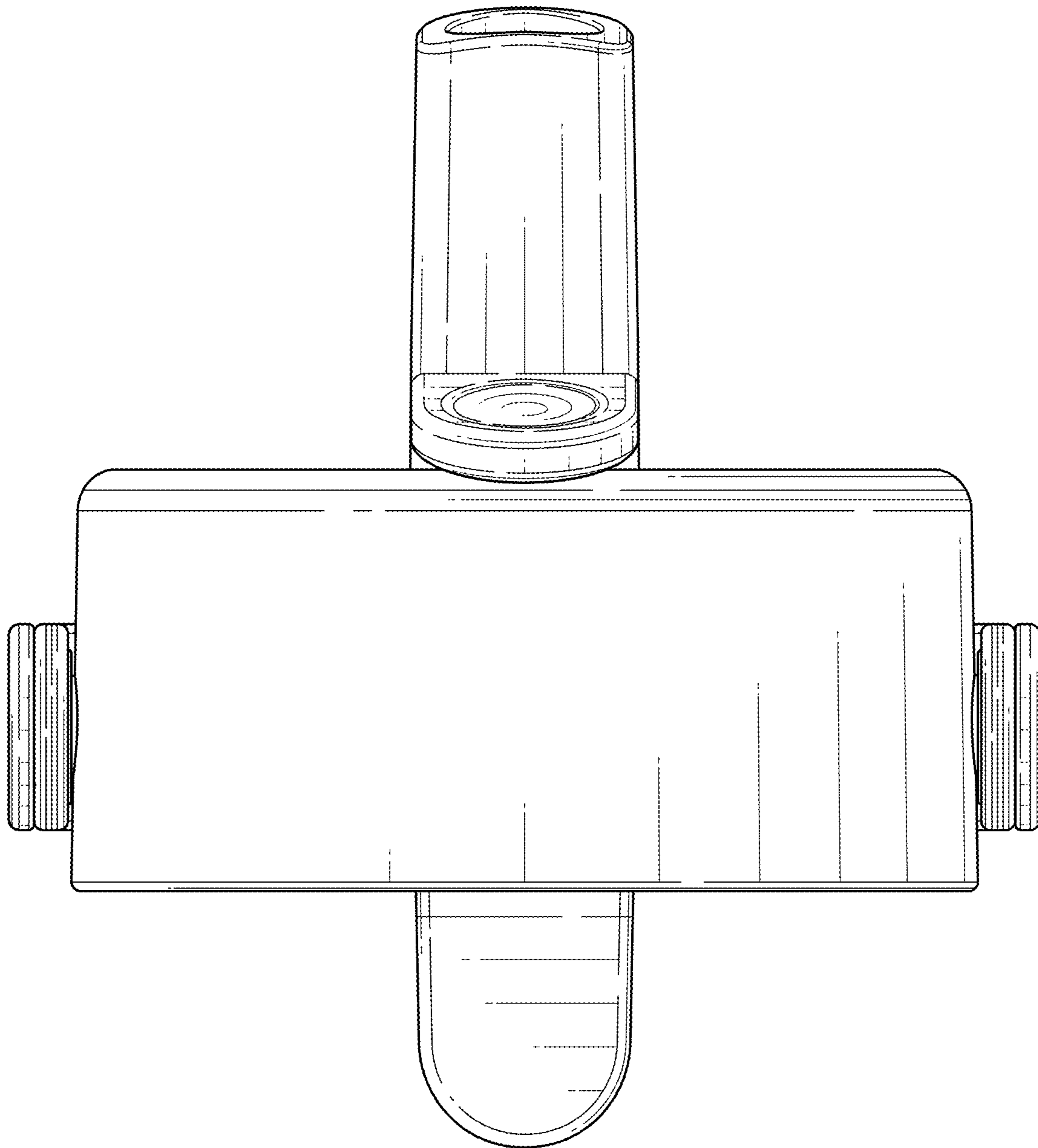


FIG. 8

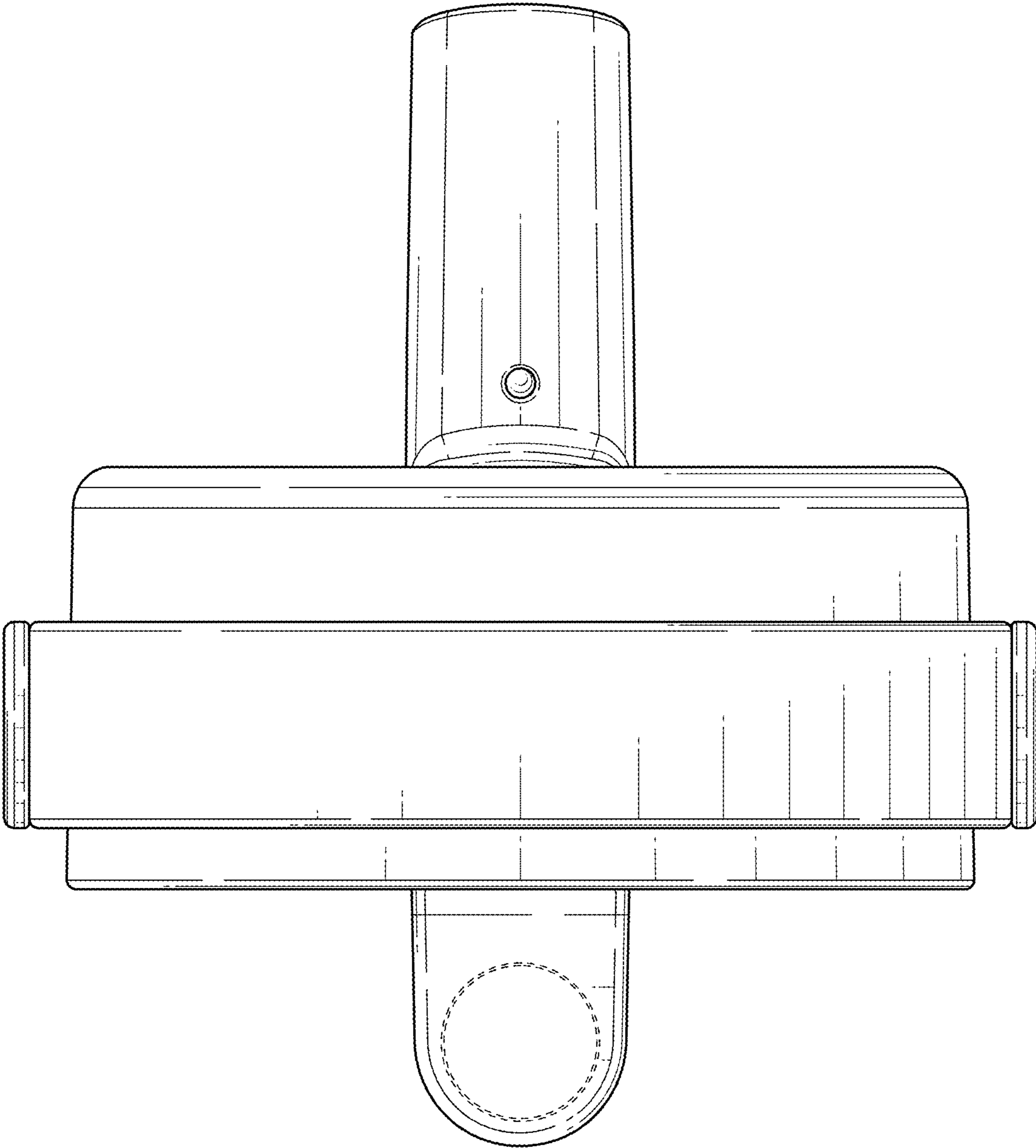


FIG. 9

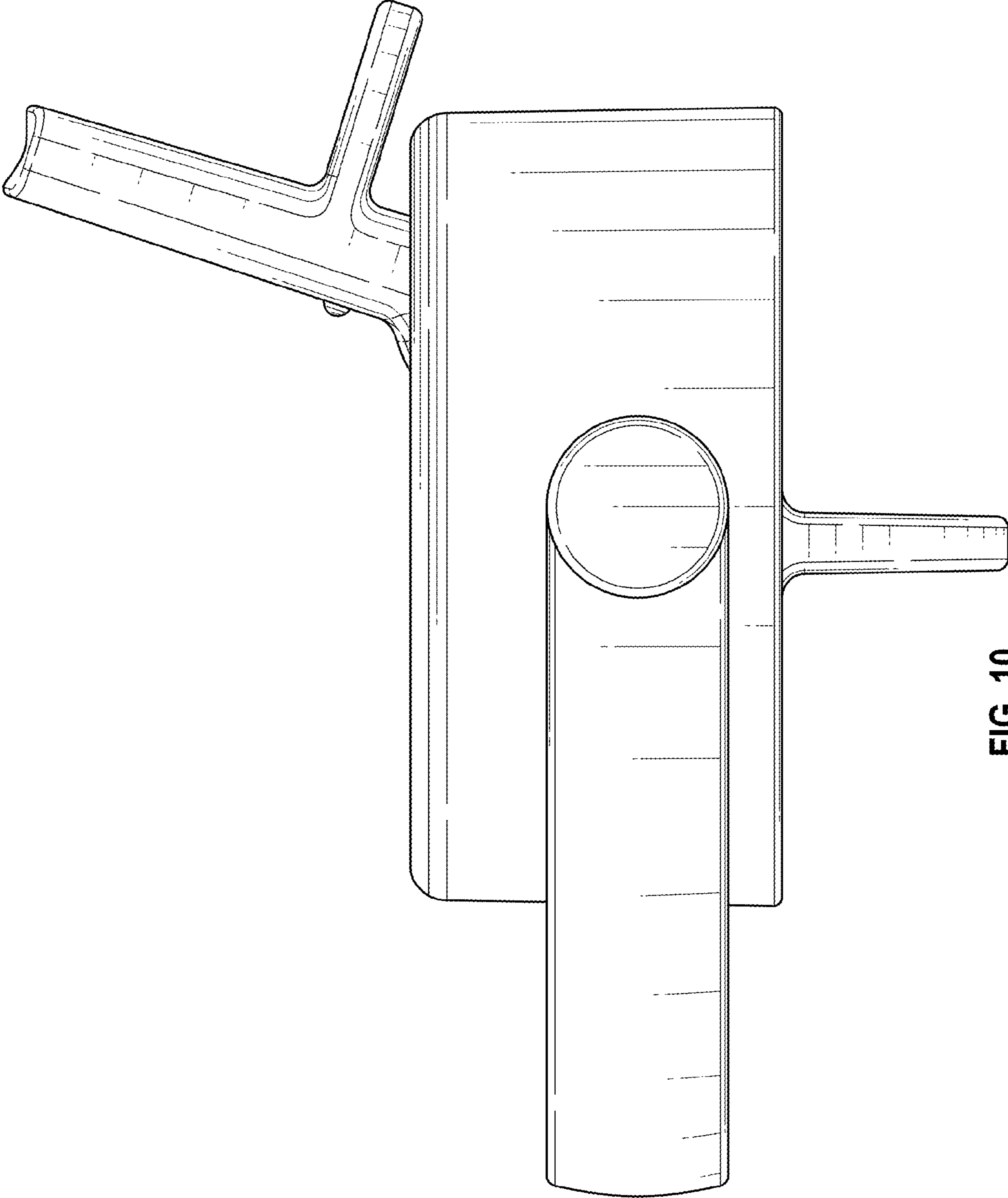


FIG. 10

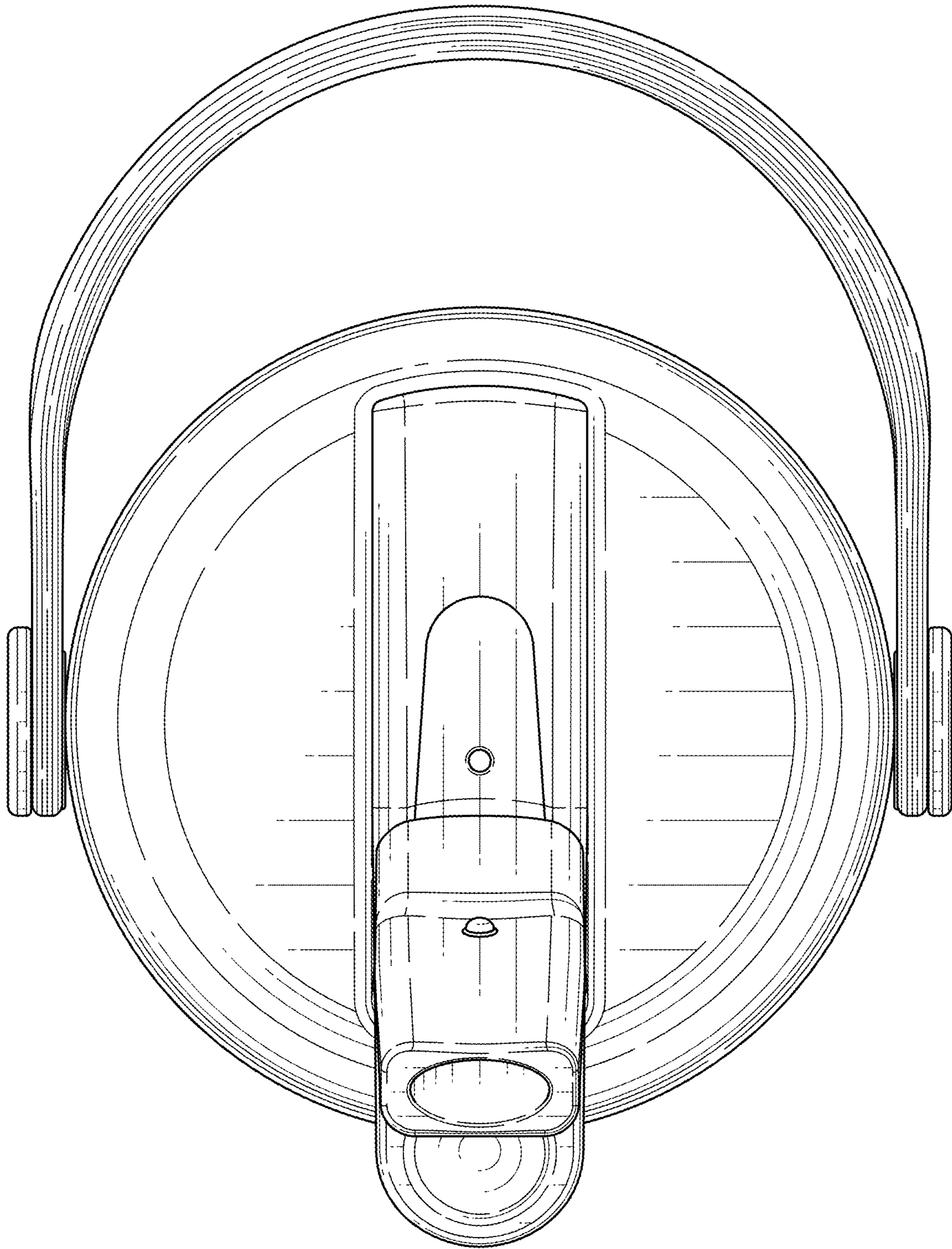


FIG. 11

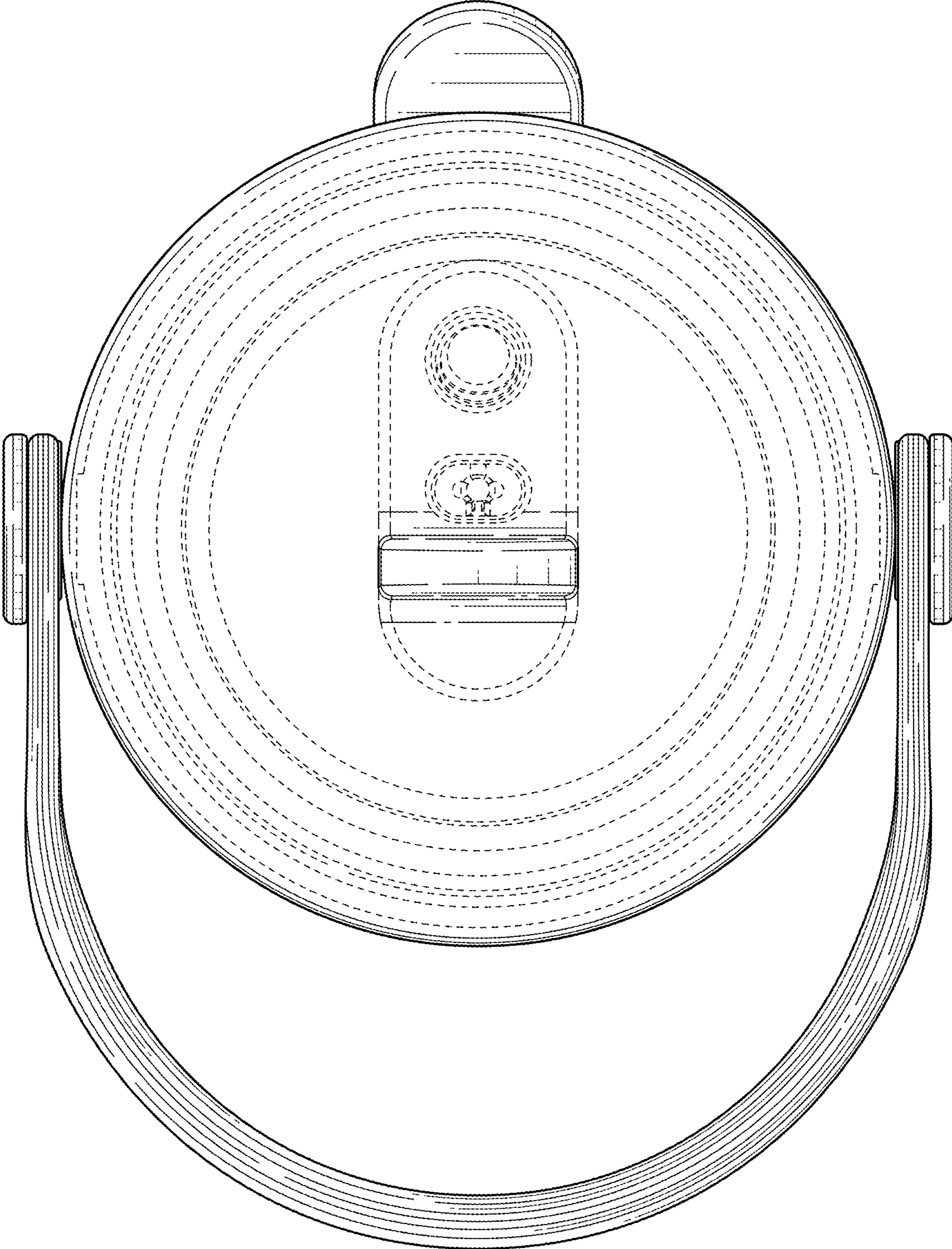


FIG. 12