

US00D940499S

(12) **United States Design Patent** (10) **Patent No.:** **US D940,499 S**
DeLeo (45) **Date of Patent:** **** Jan. 11, 2022**

(54) **BLENDER BASE**

(56) **References Cited**

(71) Applicant: **Sunbeam Products, Inc.**, Boca Raton, FL (US)

U.S. PATENT DOCUMENTS

(72) Inventor: **Anthony M. DeLeo**, Portage, MI (US)

D451,756 S *	12/2001	Deros	D7/378
D537,674 S *	3/2007	Davenport	D7/378
D580,216 S *	11/2008	Ryan	D7/384
D611,760 S *	3/2010	Ball	D7/378
D658,430 S *	5/2012	Hoare	D7/386
D668,501 S *	10/2012	Hensel	D7/386
D695,060 S *	12/2013	Penaherrera	D7/386
D716,602 S *	11/2014	Thai	D7/386
D778,665 S *	2/2017	Barquin	D7/386
D788,521 S *	6/2017	Blaise	D7/378
D799,891 S *	10/2017	Lecoutre	D7/378
D886,513 S *	6/2020	Steiner	D7/386
D909,123 S *	2/2021	Bourgeois	D7/384

(73) Assignee: **Sunbeam Products, Inc.**, Boca Raton, FL (US)

(**) Term: **15 Years**

(21) Appl. No.: **29/746,059**

* cited by examiner

(22) Filed: **Aug. 11, 2020**

(51) **LOC (13) Cl.** **31-00**

Primary Examiner — Ricky Pham

(52) **U.S. Cl.**
USPC **D7/386; D7/376; D7/378; D7/412; D7/413**

(74) *Attorney, Agent, or Firm* — Husch Blackwell LLP

(58) **Field of Classification Search**

(57) **CLAIM**

USPC D7/372, 376–386, 412–413, 602, 629, D7/665–666, 669, 679, 693–694
CPC A21C 1/02; A21C 1/04; A23N 1/00; A23N 1/02; A47J 43/04; A47J 43/25; A47J 43/27; A47J 43/042; A47J 43/044; A47J 43/046; A47J 43/075; A47J 43/0722; A47J 43/0727; A47J 45/08; B01F 3/00; B01F 3/0807; B01F 3/0853; B01F 13/0059; B01F 13/0064; B02C 1/08; B02C 2/04; B02C 4/42; B02C 4/142; B02C 4/143; B02C 4/423; B02C 13/1835; B28C 5/10; B28C 5/12; B28C 5/14; B28C 5/16

I claim the ornamental design for a blender base, as shown and described.

DESCRIPTION

FIG. 1 is a perspective view of a blender base according to my new design;
FIG. 2 is a front elevation view thereof;
FIG. 3 is a top plan view thereof;
FIG. 4 is a right side elevation view thereof;
FIG. 5 is a rear elevation view thereof; and,
FIG. 6 is a left side elevation view thereof.
The broken lines in the figures illustrate unclaimed environment and form no part of the claimed design.

See application file for complete search history.

1 Claim, 6 Drawing Sheets

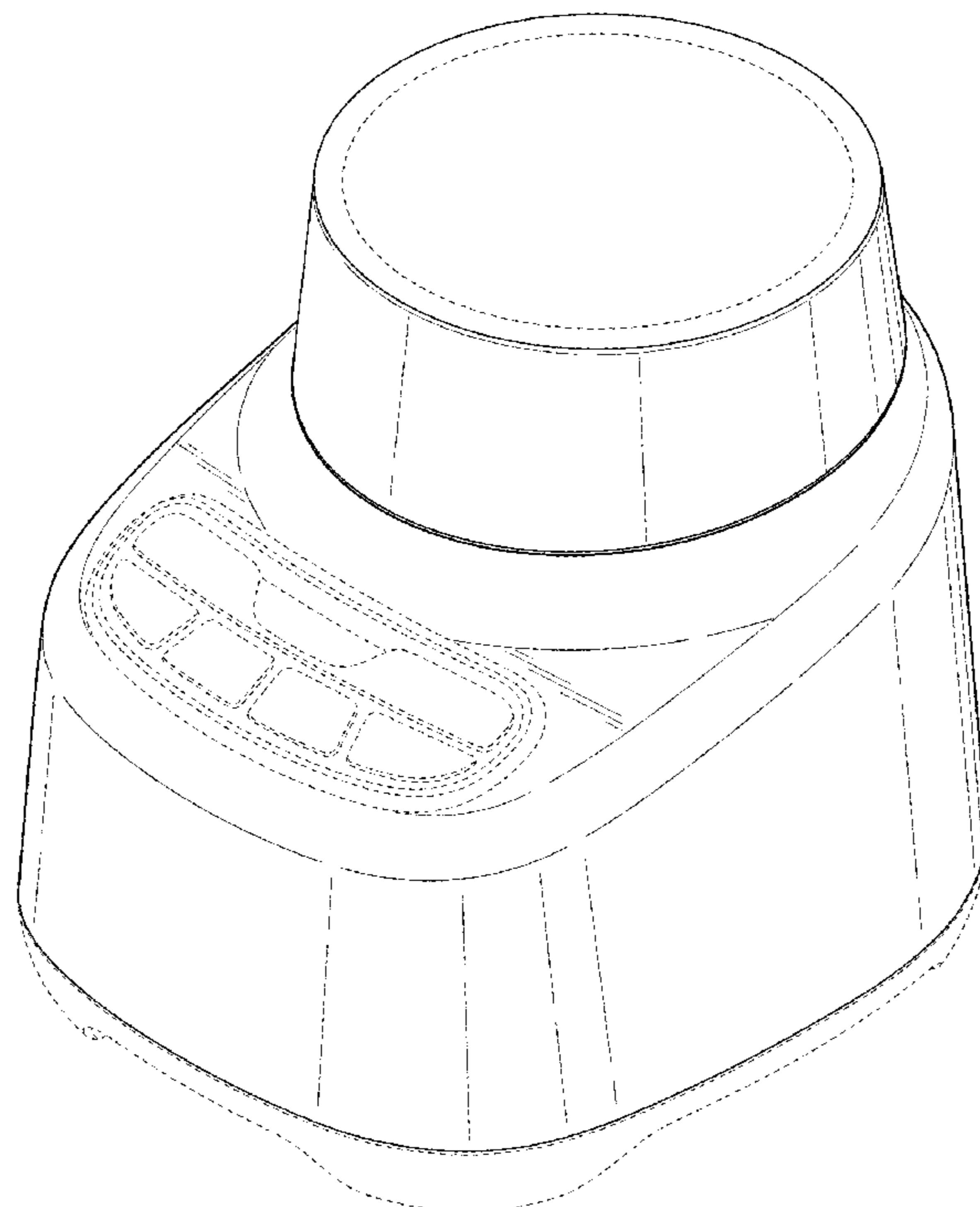


FIG. 1

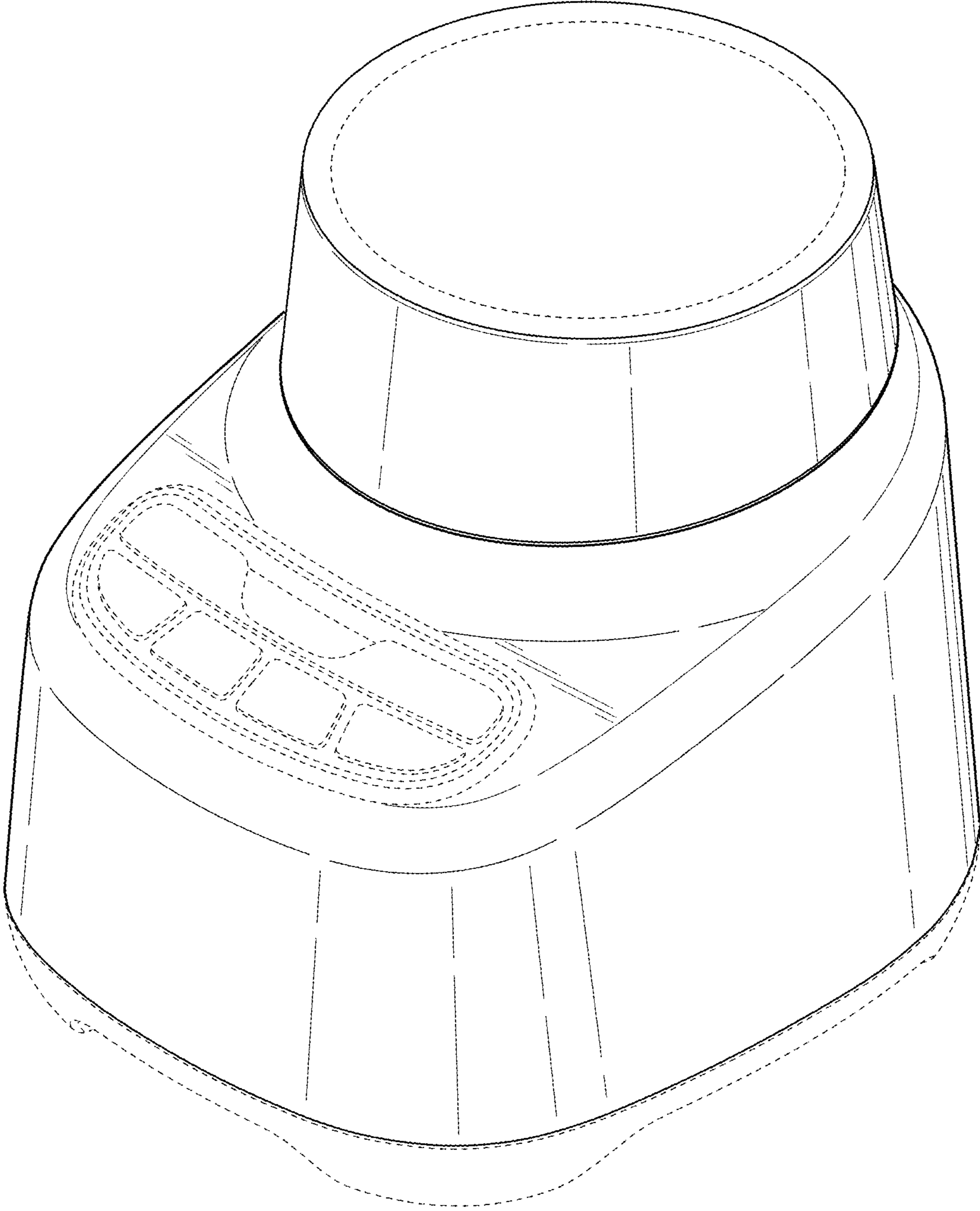


FIG. 2

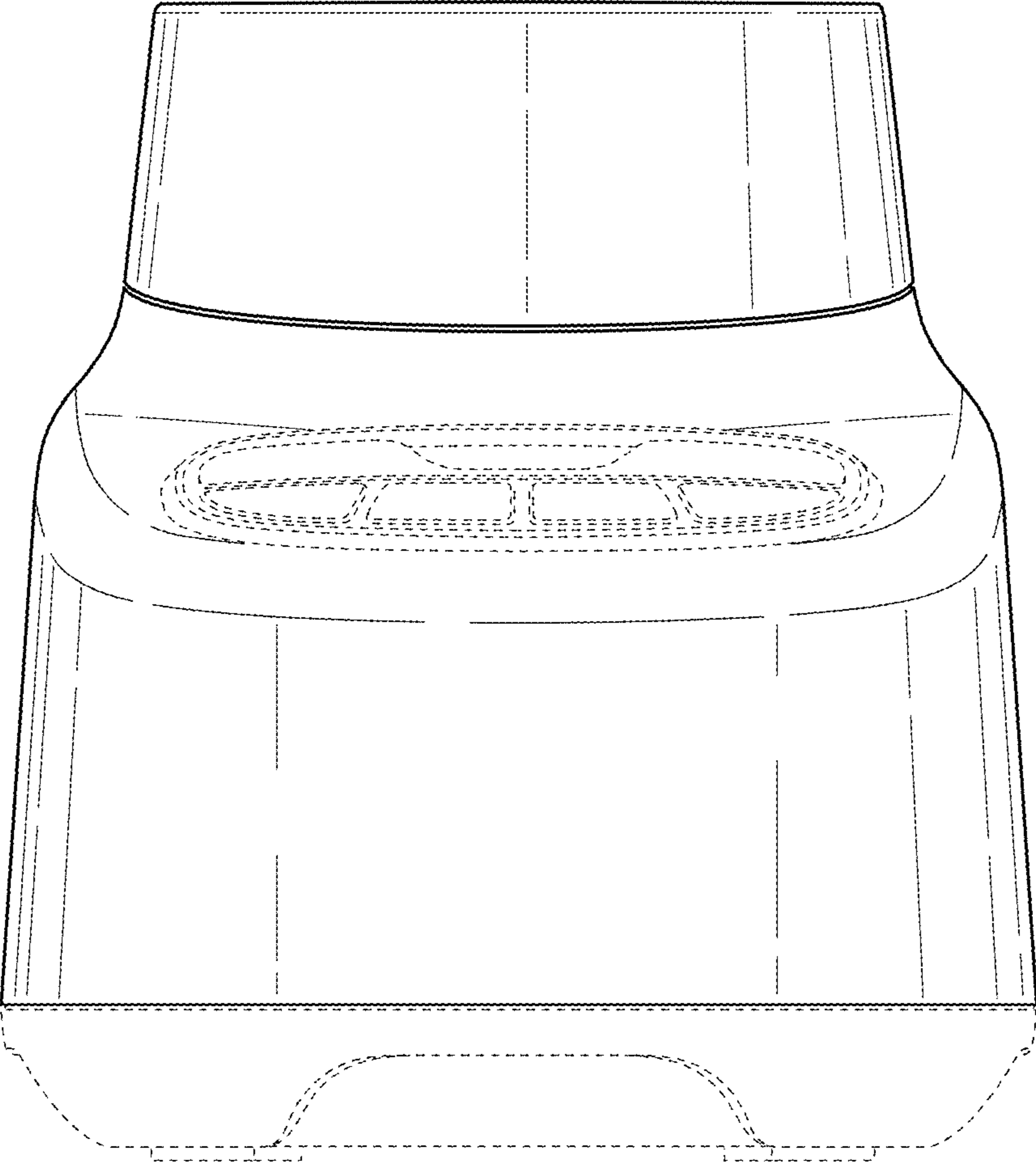


FIG. 3

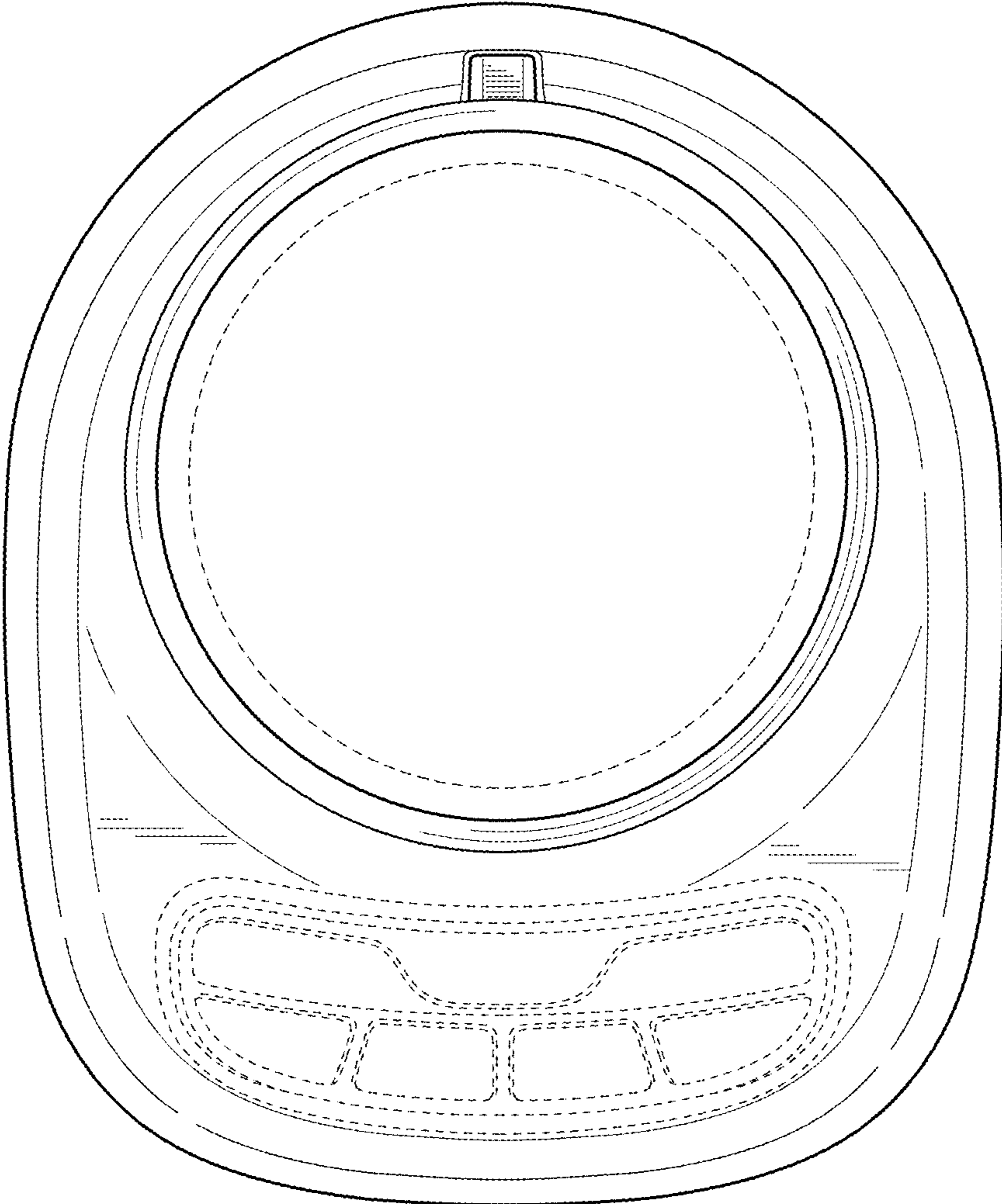


FIG. 4

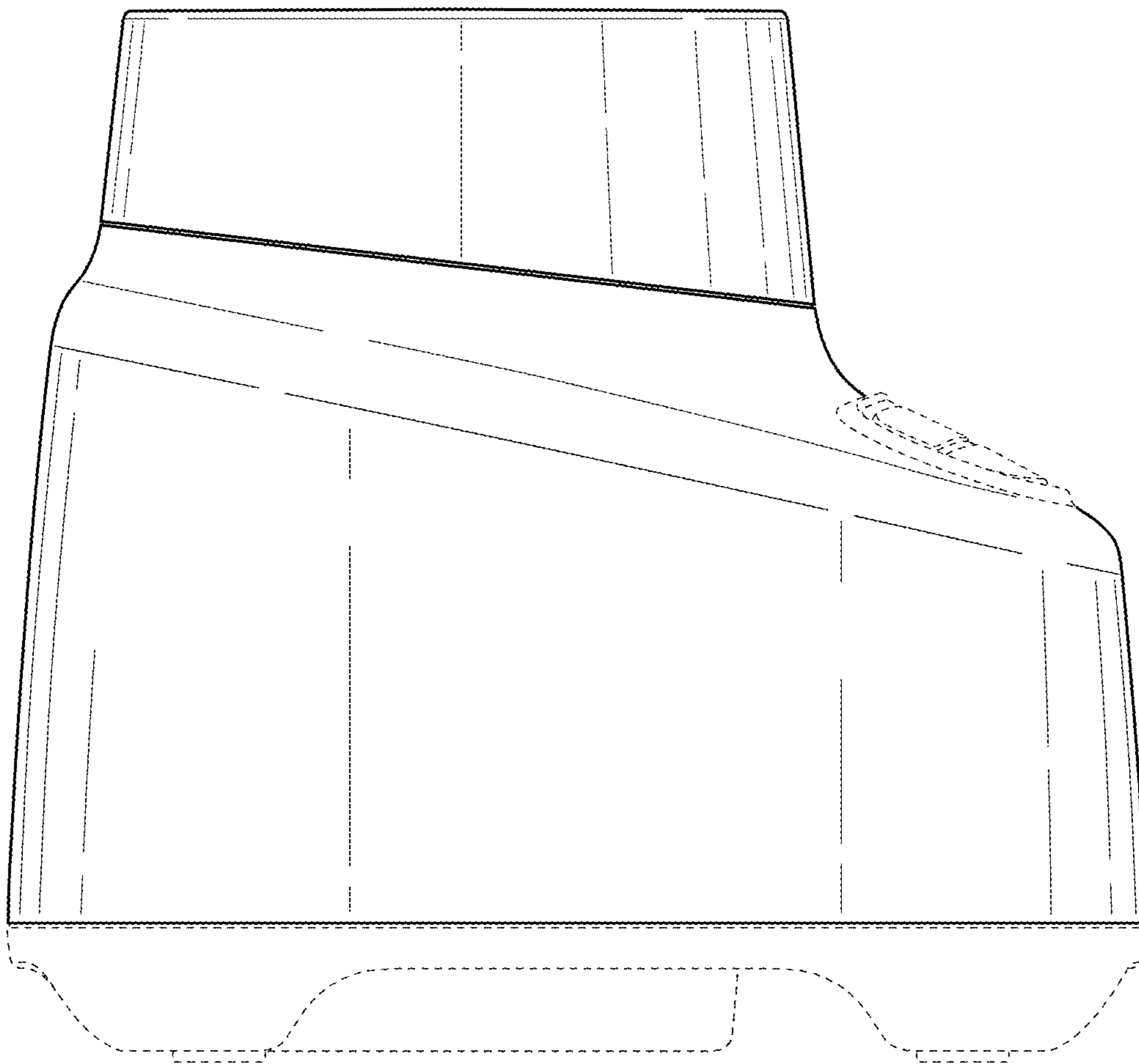


FIG. 5

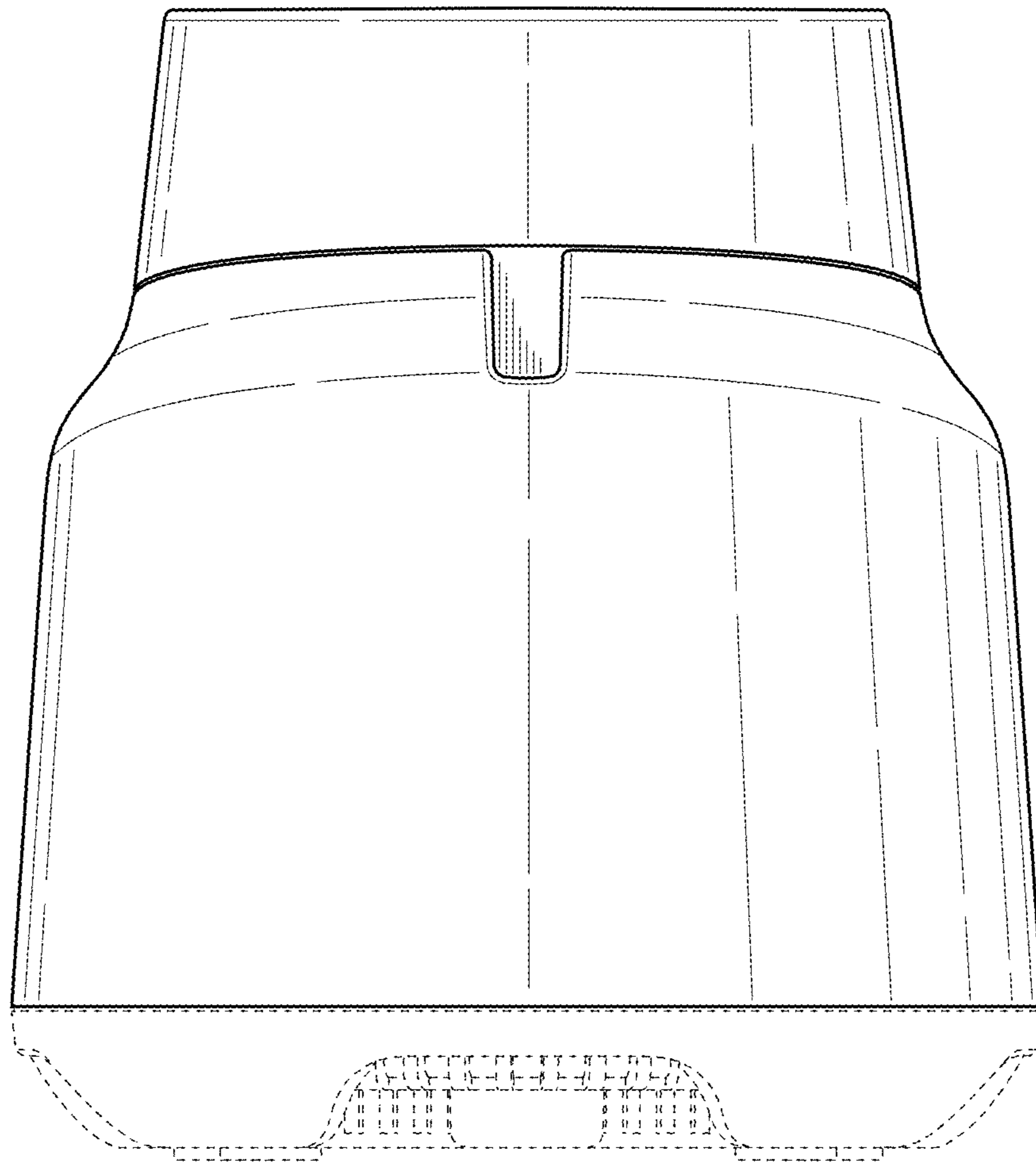


FIG. 6

