

US00D940498S

(12) **United States Design Patent**
Sapire et al.

(10) **Patent No.:** **US D940,498 S**
(45) **Date of Patent:** **** Jan. 11, 2022**

(54) **BLENDER**

(71) Applicant: **Beast Health, LLC**, Pacific Palisades, CA (US)

(72) Inventors: **Colin Sapire**, Pacific Palisades, CA (US); **Gregory S. Thune**, Los Angeles, CA (US); **Benjamin Bangser**, Los Angeles, CA (US)

(73) Assignee: **BEAST HEALTH, LLC**, Pacific Palisades, CA (US)

(**) Term: **15 Years**

(21) Appl. No.: **29/745,847**

(22) Filed: **Aug. 10, 2020**

(51) **LOC (13) Cl.** **31-00**

(52) **U.S. Cl.**
USPC **D7/378; D7/376; D7/386; D7/412; D7/413**

(58) **Field of Classification Search**
USPC D7/372, 376–386, 412–413, 602, 629, D7/665–666, 669, 679, 693–694; D9/454
CPC A21C 1/02; A21C 1/04; A23N 1/00; A23N 1/02; A47J 42/04; A47J 42/08; A47J 42/40; A47J 43/04; A47J 43/25; A47J 43/27; A47J 43/042; A47J 43/044; A47J 43/046; A47J 43/075; A47J 43/0722; A47J 43/0727; A47J 45/08; B01F 3/00; B01F 3/0807; B01F 3/0853; B01F 13/0059; B01F 13/0064; B01F 15/00409; B02C 1/08; B02C 2/04; B02C 4/42; B02C 4/142; B02C 4/143; B02C 4/423; B02C 13/1835; B28C 5/10; B28C 5/12; B28C 5/14; B28C 5/16
See application file for complete search history.

(56) **References Cited**

U.S. PATENT DOCUMENTS

3,371,874 A *	3/1968	Reeves	A47J 42/04 241/169.1
4,960,246 A *	10/1990	Fohrman	A47J 42/04 241/169.1
D542,657 S *	5/2007	Battegazzore	D9/454
D581,750 S *	12/2008	de Groote	D7/597
7,604,190 B2 *	10/2009	Pai	A47J 42/40 241/169.1
7,967,229 B2 *	6/2011	Wilson	A47J 42/08 241/169.1
9,364,806 B2 *	6/2016	King	A47J 36/2411
D793,803 S *	8/2017	Patel	D7/386
D905,495 S *	12/2020	Sapire	D7/378
2015/0165402 A1 *	6/2015	King	B01F 15/00409 366/145

* cited by examiner

Primary Examiner — Ricky Pham

(74) *Attorney, Agent, or Firm* — Alston & Bird LLP

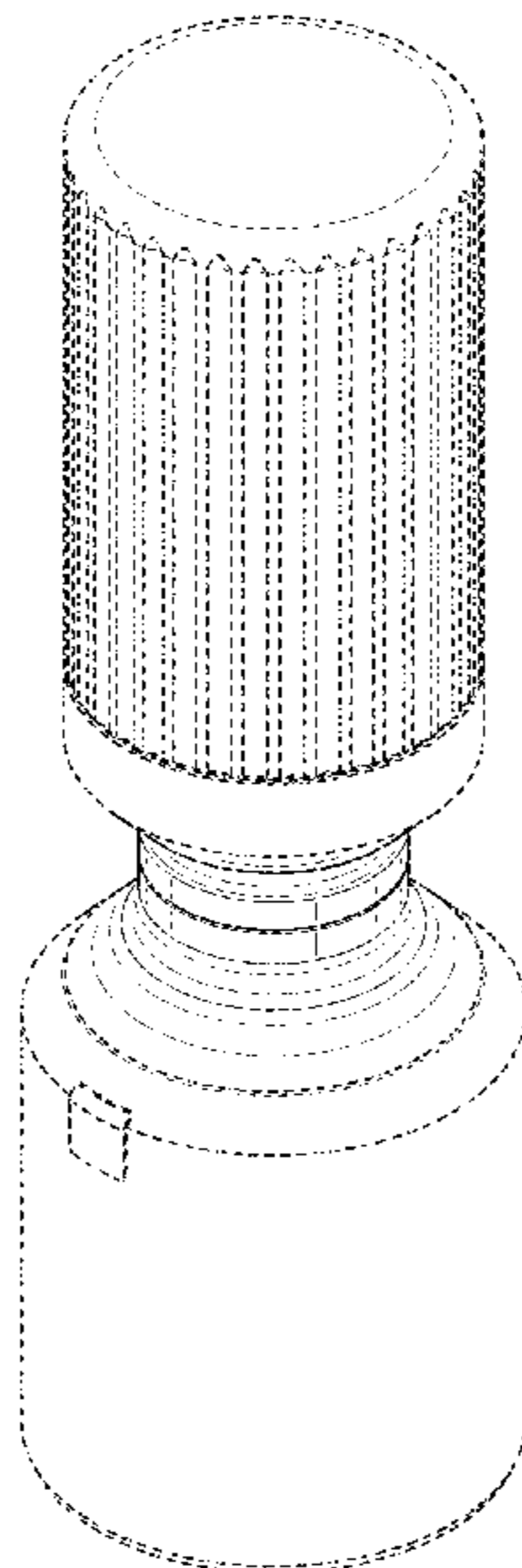
(57) **CLAIM**

The ornamental design for a blender, as shown and described.

DESCRIPTION

FIG. 1 is a top front perspective view of a blender according to one exemplary embodiment of the present design. FIG. 2 is a front view of the blender of FIG. 1 with a vessel portion separated from a base portion. FIG. 3 is a front view of the blender of FIG. 1. FIG. 4 is a back view of the blender of FIG. 1. FIG. 5 is a left side view of the blender of FIG. 1. FIG. 6 is a right side view of the blender of FIG. 1. FIG. 7 is a top view of the blender of FIG. 1. FIG. 8 is a bottom view of the blender of FIG. 1; and, FIG. 9 is a bottom rear perspective view of the blender of FIG. 1. The broken lines are directed to unclaimed features of the blender and form no part of the claimed design.

1 Claim, 5 Drawing Sheets



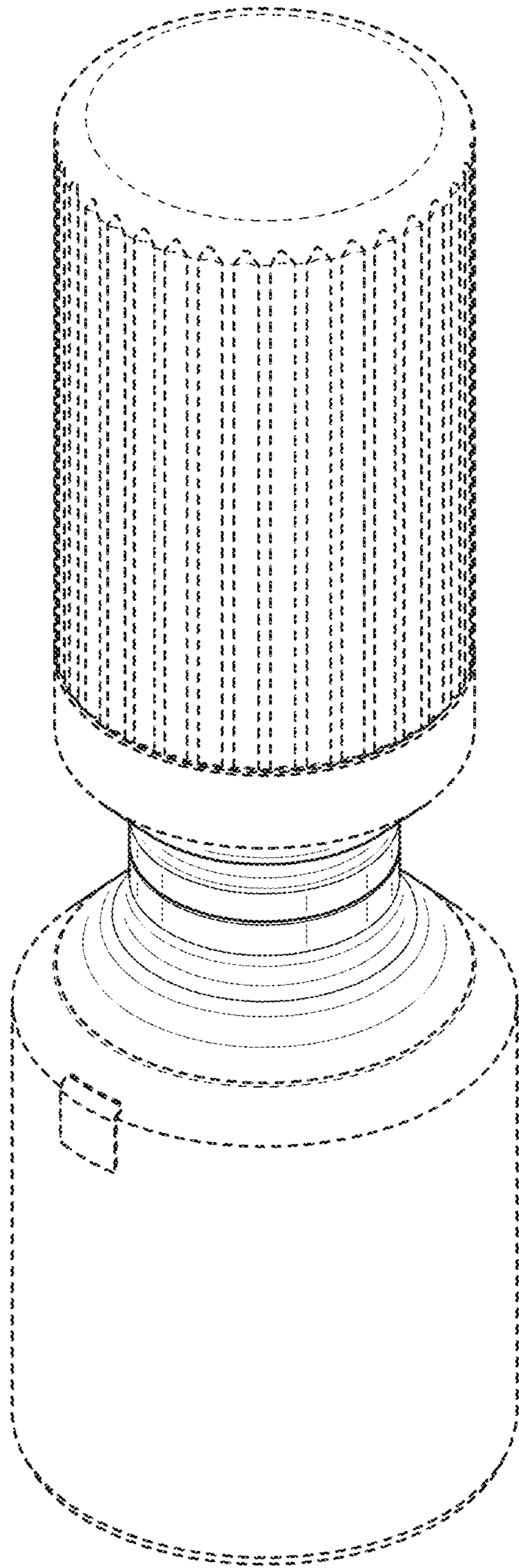


FIG. 1

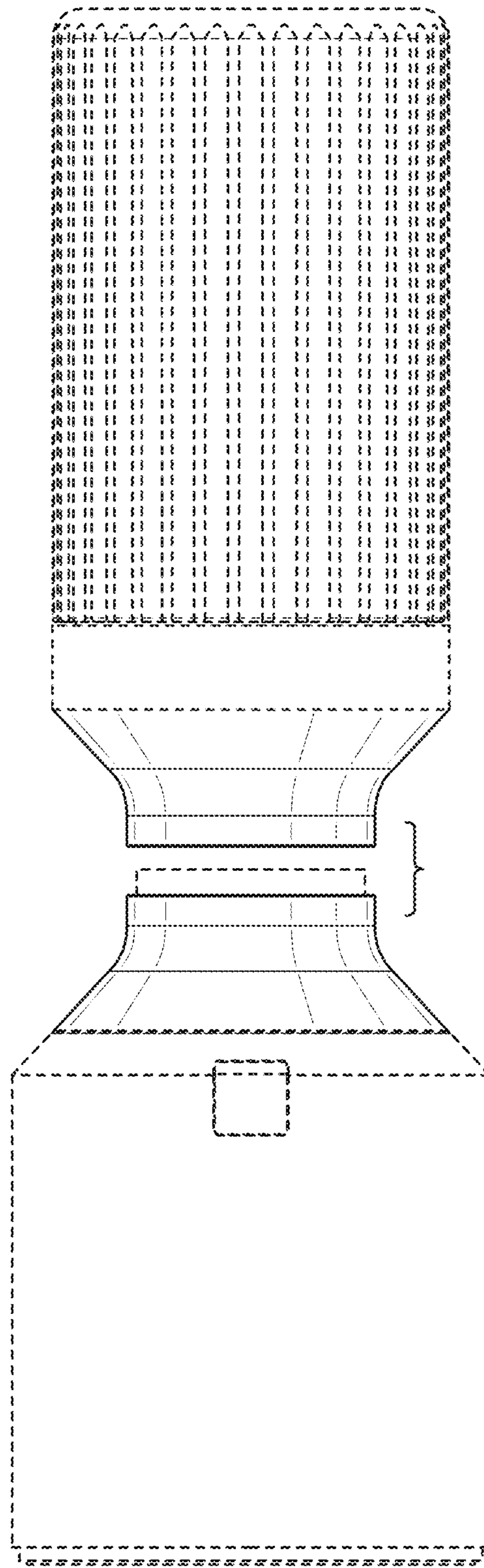


FIG. 2

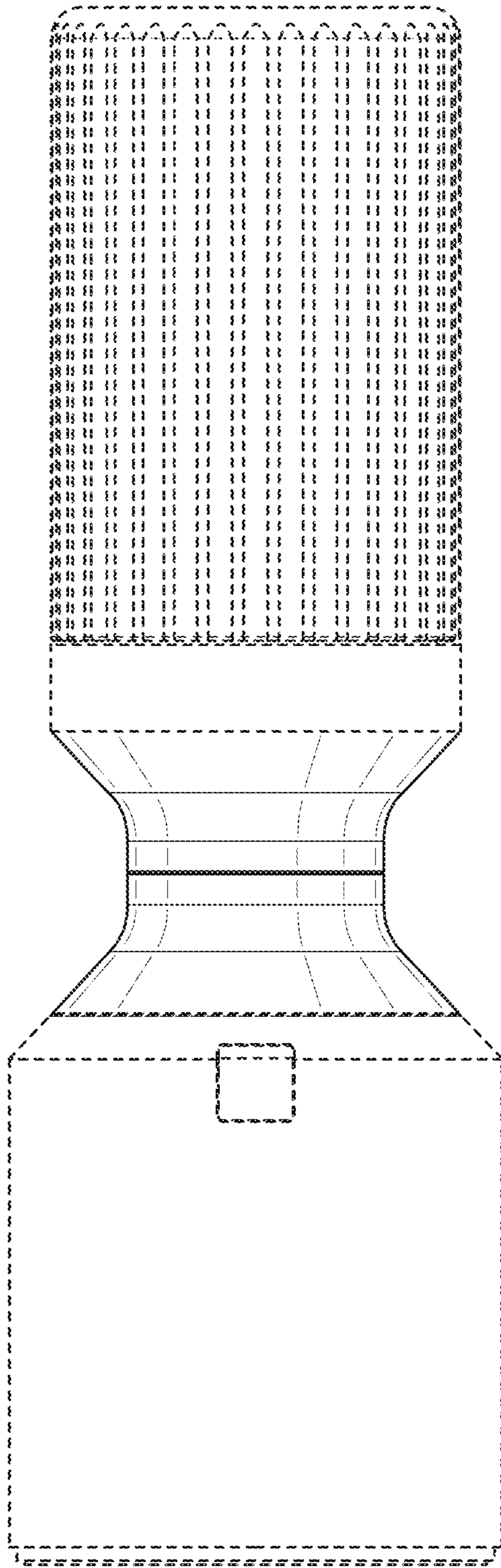


FIG. 3

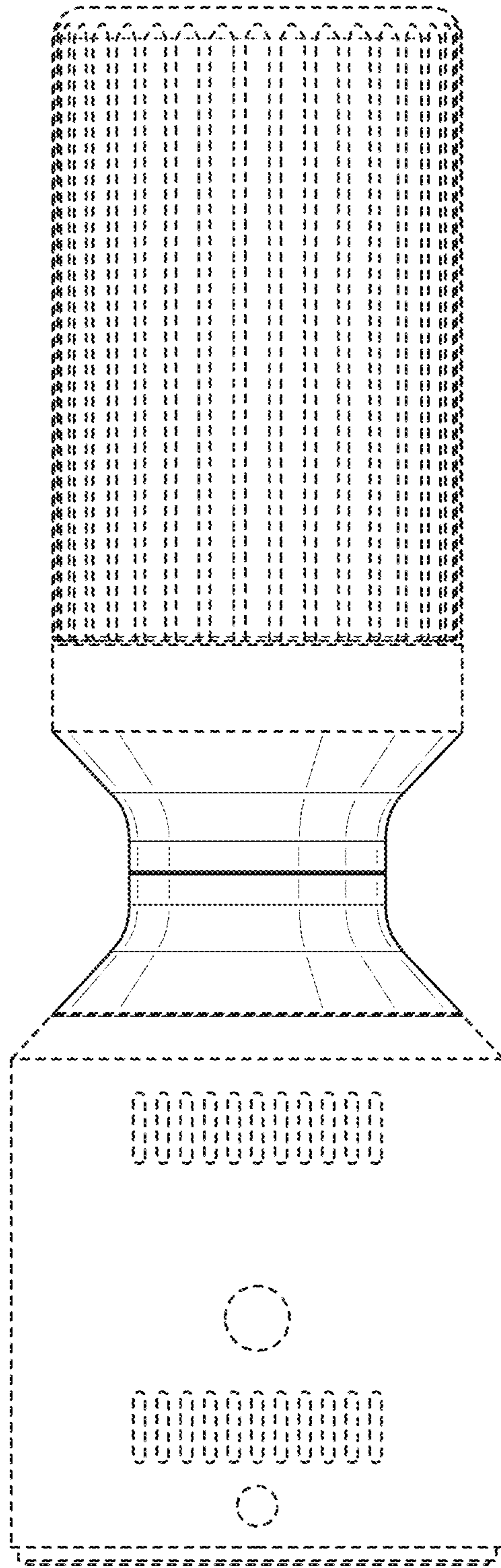


FIG. 4

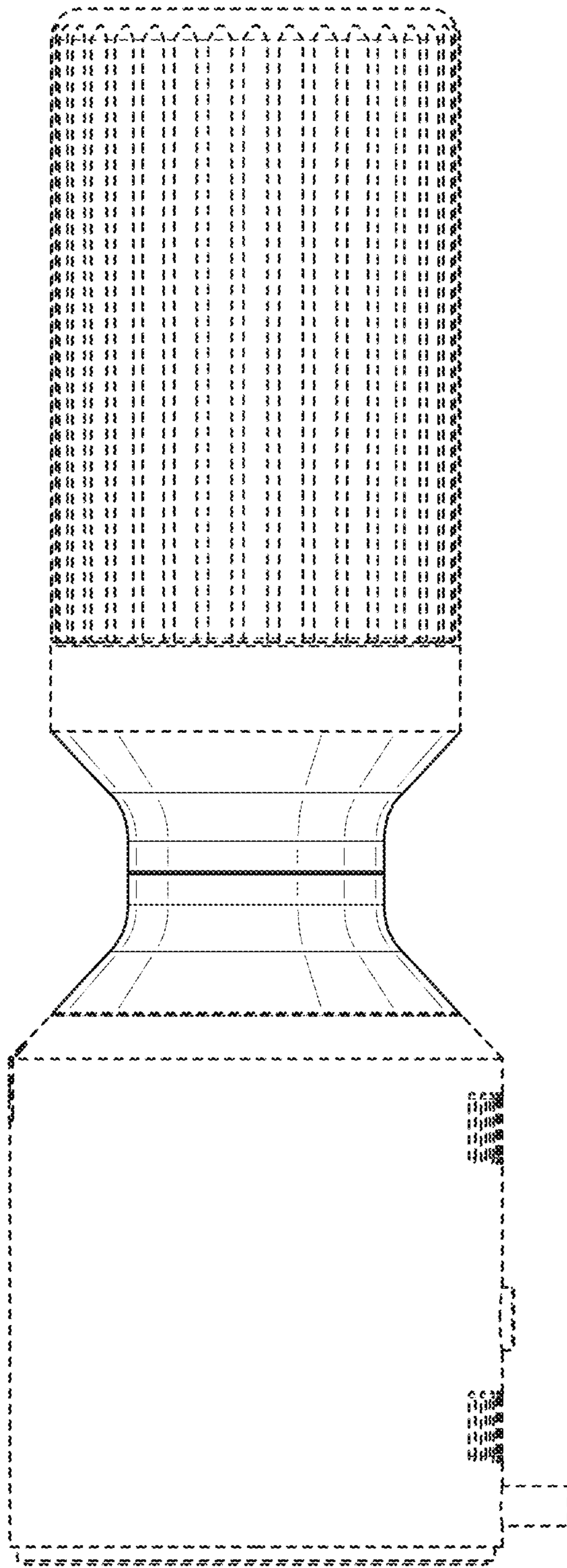


FIG. 5

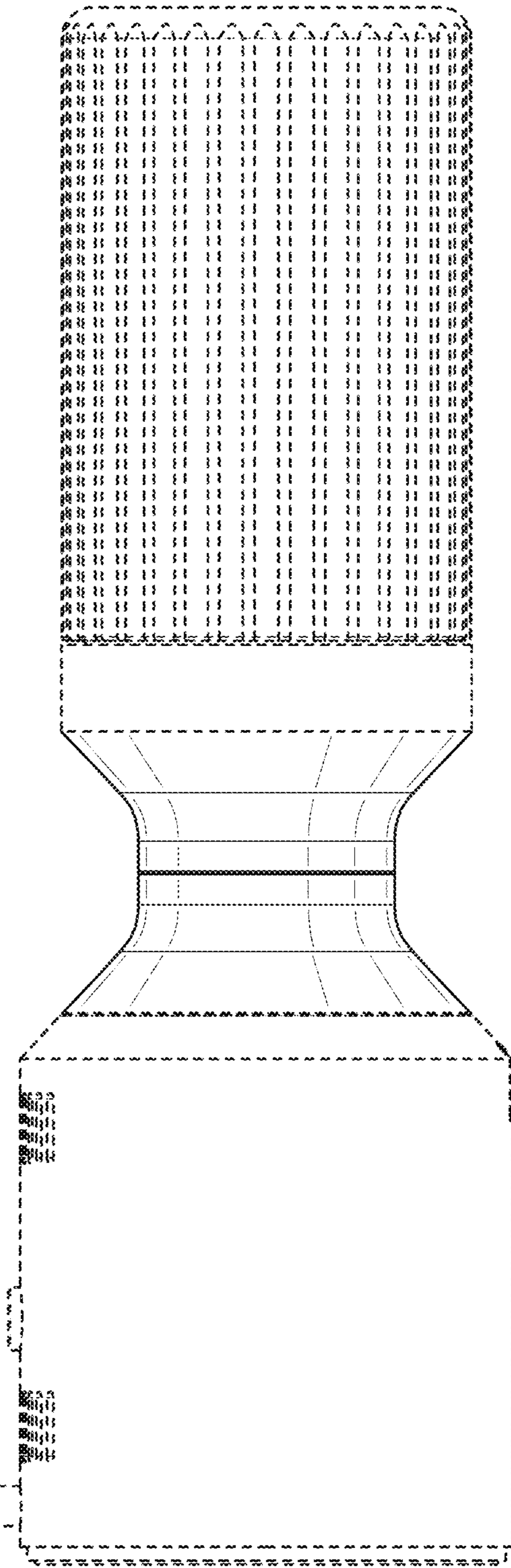


FIG. 6

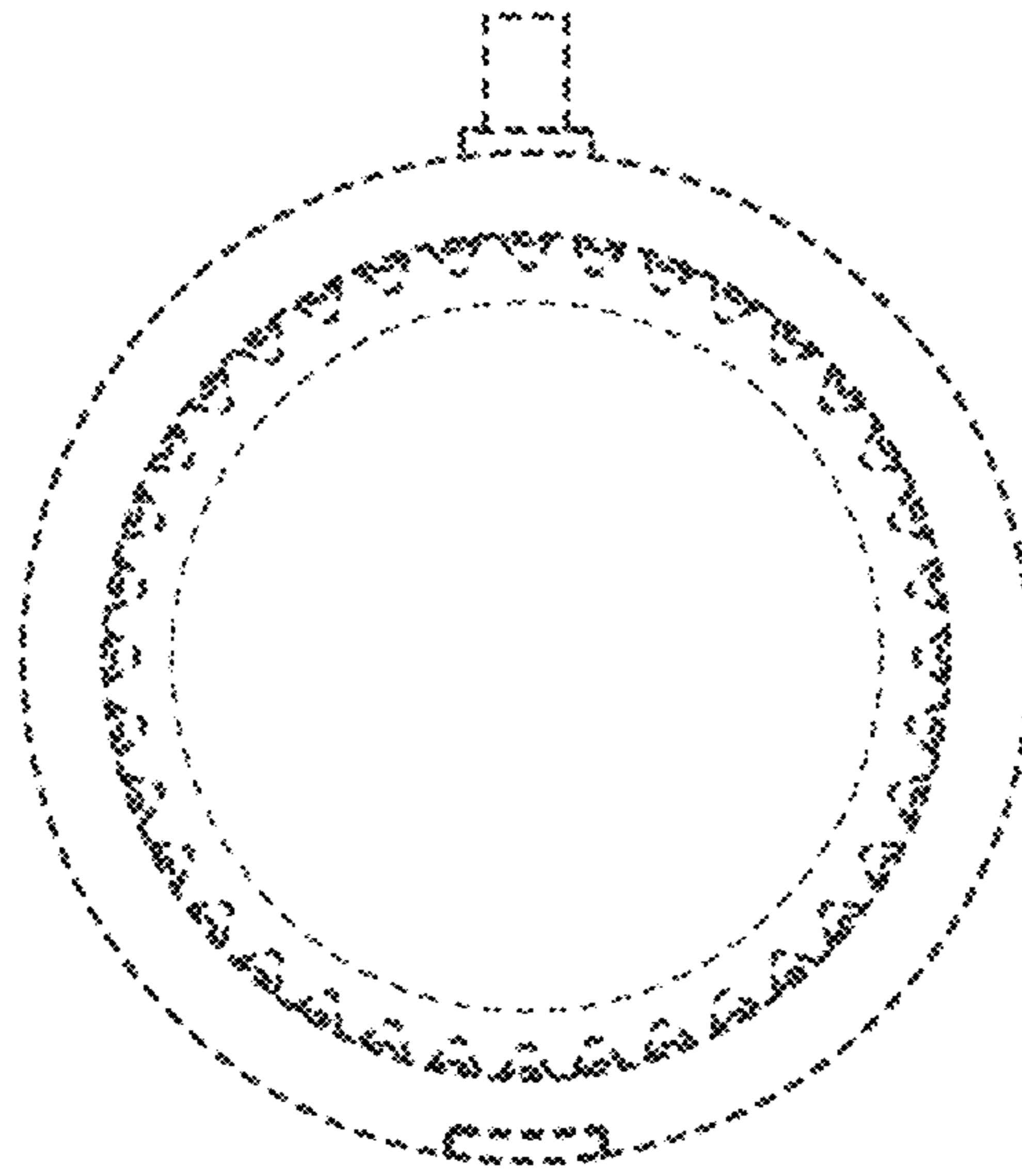


FIG. 7

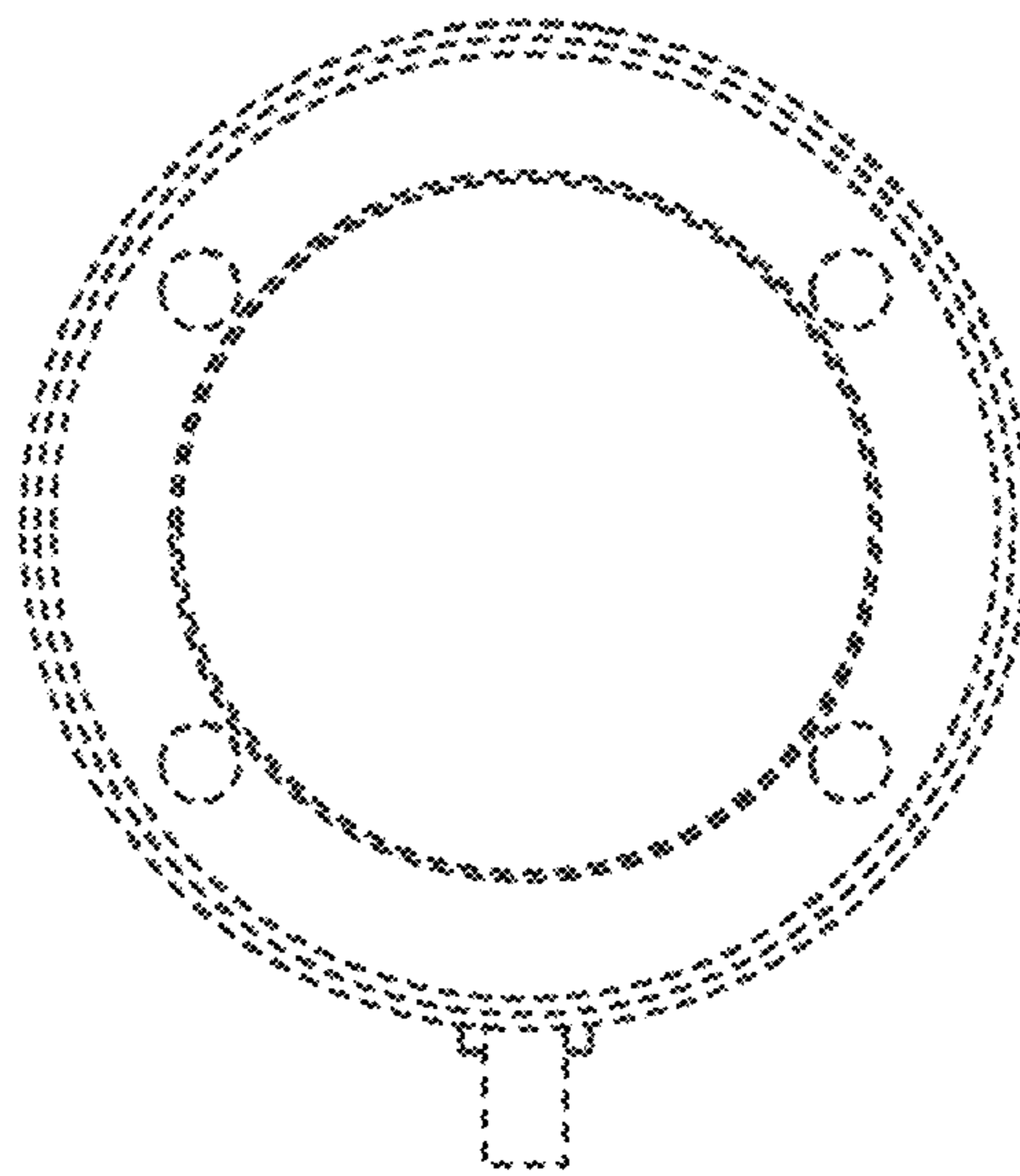


FIG. 8

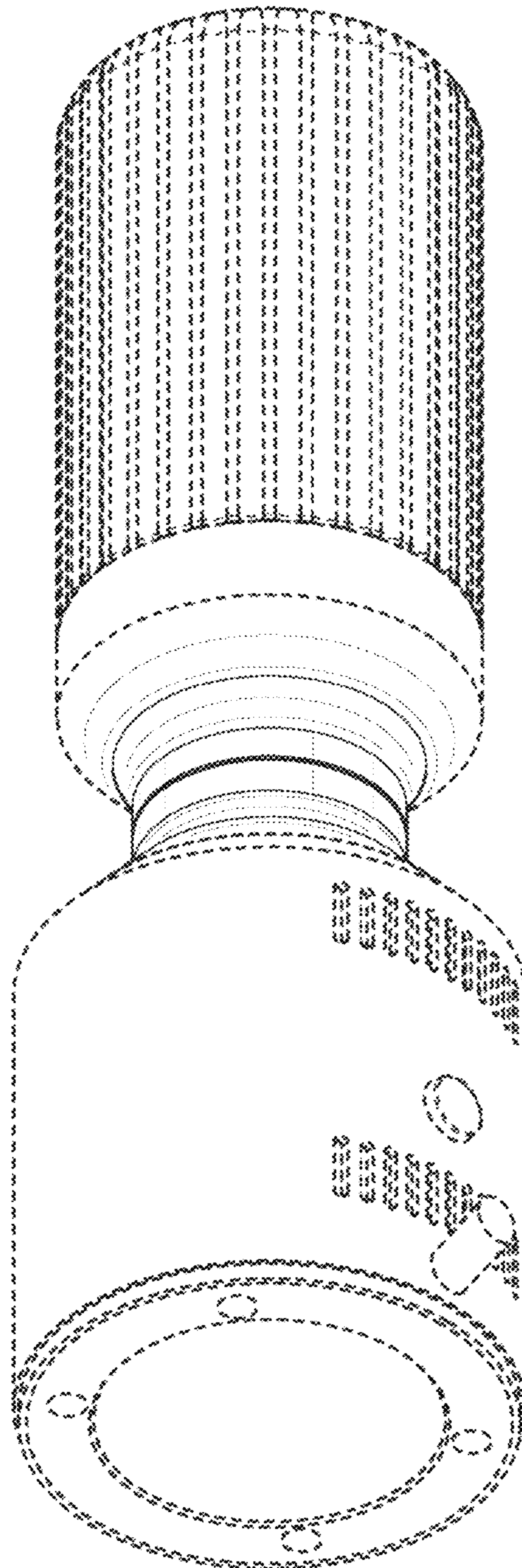


FIG. 9