



US00D940497S

(12) **United States Design Patent**
Pobocho et al.

(10) **Patent No.:** **US D940,497 S**

(45) **Date of Patent:** **** Jan. 11, 2022**

(54) **HOTPLATE STIRRER**

(71) Applicant: **OHAUS Corporation**, Parsippany, NJ
(US)

(72) Inventors: **Zbigniew Pobocho**, Brookside, NJ
(US); **Amanda Mallinder**, Marlton, NJ
(US); **Michael Manera**, Clayton, NJ
(US); **Tracey Hill**, West Deptford, NJ
(US)

(73) Assignee: **OHAUS Corporation**, Parsippany, NJ
(US)

(**) Term: **15 Years**

(21) Appl. No.: **29/707,296**

(22) Filed: **Sep. 27, 2019**

(51) **LOC (13) Cl.** **07-02**

(52) **U.S. Cl.**
USPC **D7/367**

(58) **Field of Classification Search**
USPC D7/323, 338, 352, 354, 355, 356, 357,
D7/358, 359, 360, 361, 362, 363, 364,
D7/365, 366, 367, 402, 407, 409;
D26/10, 11, 20, 21, 22, 23; D24/216,
D24/220

CPC .. A21B 3/00; A21B 3/13; A21B 3/131; A21B
3/132; A21B 3/135; A21B 3/136; A21B
3/137; A21B 3/15; A21B 5/00; A21B
5/02; A21B 5/04; A47J 27/00; A47J
36/00; A47J 36/02; A47J 36/06; A47J
36/16; A47J 36/24; A47J 36/022; A47J
36/027; A47J 37/00; A47J 37/01; A47J
37/04; A47J 37/06; A47J 37/10; A47J
37/07; A47J 37/0781; A47J 43/20

See application file for complete search history.

(56) **References Cited**

U.S. PATENT DOCUMENTS

D215,514 S * 10/1969 Betzer D7/363
4,526,247 A * 7/1985 EerNisse G01G 21/24
177/189

D288,478 S * 2/1987 Carlson D24/216
5,280,152 A * 1/1994 Lee F24C 7/10
219/452.13
D580,701 S * 11/2008 Wojcik D7/367

(Continued)

OTHER PUBLICATIONS

OHAUS Introduces the Guardian™ 7000 & 5000 Series Hot Plate Stirrers, announced Apr. 7, 2020 [online], retrieved Dec. 23, 2020, retrieved from internet, <https://www.labmanager.com/product-news/ohaus-introduces-the-guardian-7000-5000-series-hot-plate-stirrers-22251>.*

(Continued)

Primary Examiner — Dana K Weiland

Assistant Examiner — Messina L Smith

(74) *Attorney, Agent, or Firm* — Standley Law Group
LLP; Jeffrey S. Standley; Stephen L. Grant

(57) **CLAIM**

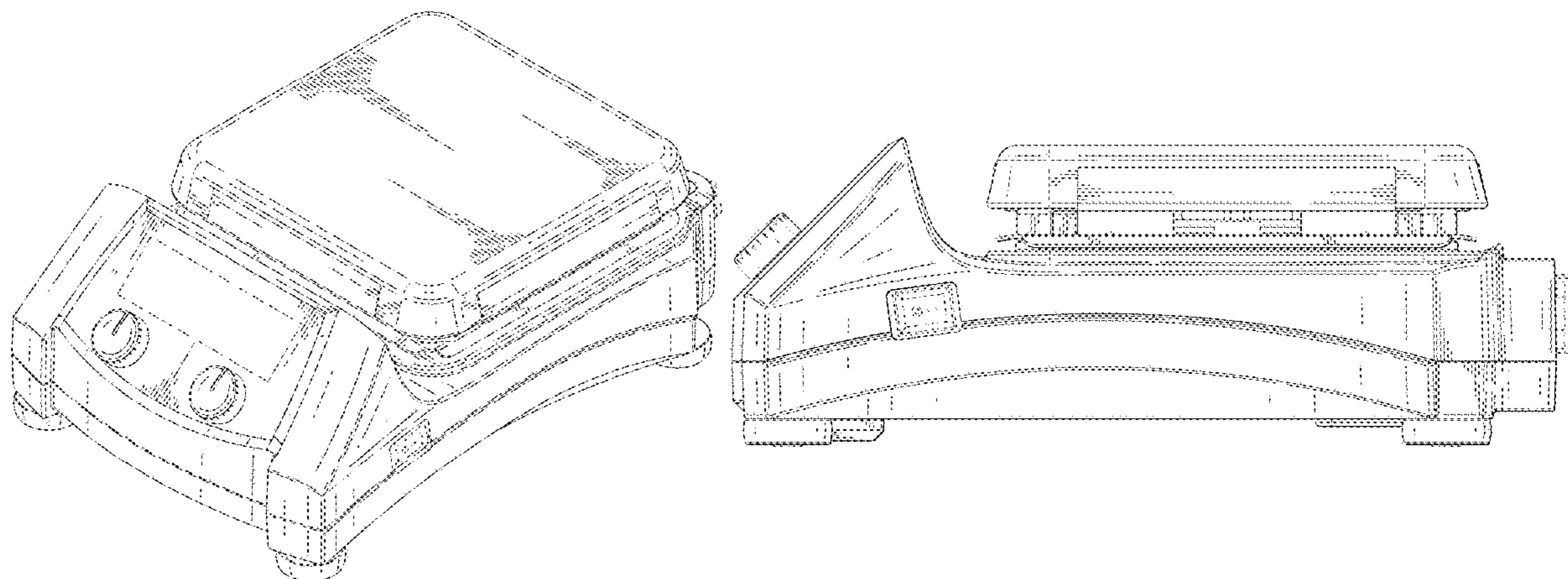
The ornamental design for a hotplate stirrer, as shown and described.

DESCRIPTION

FIG. 1 is a front perspective view of a hotplate stirrer, showing the new design;
FIG. 2 is a front elevation view thereof;
FIG. 3 is a rear elevation view thereof;
FIG. 4 is a right side elevation view thereof;
FIG. 5 is a left side elevation view thereof;
FIG. 6 is a top plan view thereof; and,
FIG. 7 is a bottom plan view thereof.

The broken lines shown in the drawings depict portions of the hotplate stirrer that form no part of the claimed design. The small tic lines shown inside the small circles on the bottom view of the hotplate stirrer form no part of the claimed design.

1 Claim, 6 Drawing Sheets



(56)

References Cited

U.S. PATENT DOCUMENTS

D621,205	S *	8/2010	Yeung	D7/367
D636,630	S *	4/2011	Shingler	D7/367
D670,590	S *	11/2012	Pobocho	D10/91
D705,683	S *	5/2014	Lauer	D10/91
D727,766	S *	4/2015	Wu	D10/91
D766,033	S *	9/2016	Hu	D7/367
D787,965	S *	5/2017	Pan	D10/91
D787,966	S *	5/2017	Pan	D10/92
D825,991	S *	8/2018	Moon	D7/407
D852,075	S *	6/2019	Huang	D10/91
D856,742	S *	8/2019	Mano	D7/367
D860,713	S *	9/2019	Bassill	D7/367
D878,145	S *	3/2020	Bodum	D7/367
D884,412	S *	5/2020	Tan	D7/363
D887,207	S *	6/2020	Moon	D7/407
D895,343	S *	9/2020	Bond	D7/323
2010/0326980	A1 *	12/2010	Shingler	A47J 37/06 219/452.11
2016/0274076	A1 *	9/2016	Hofleitner	A23L 5/12

OTHER PUBLICATIONS

Guardian 7000 Hotplate Stirrers, announced © 2020 [online],
retrieved Dec. 23, 2020, retrieved from internet, https://us.ohaus.com/en-US/Products/Equipment/Hotplates-Stirrers/Guardian-7000-Hotplate-Stirrers/Hotplate-Stirrer-e-G71HS07C-120V-US.*

* cited by examiner

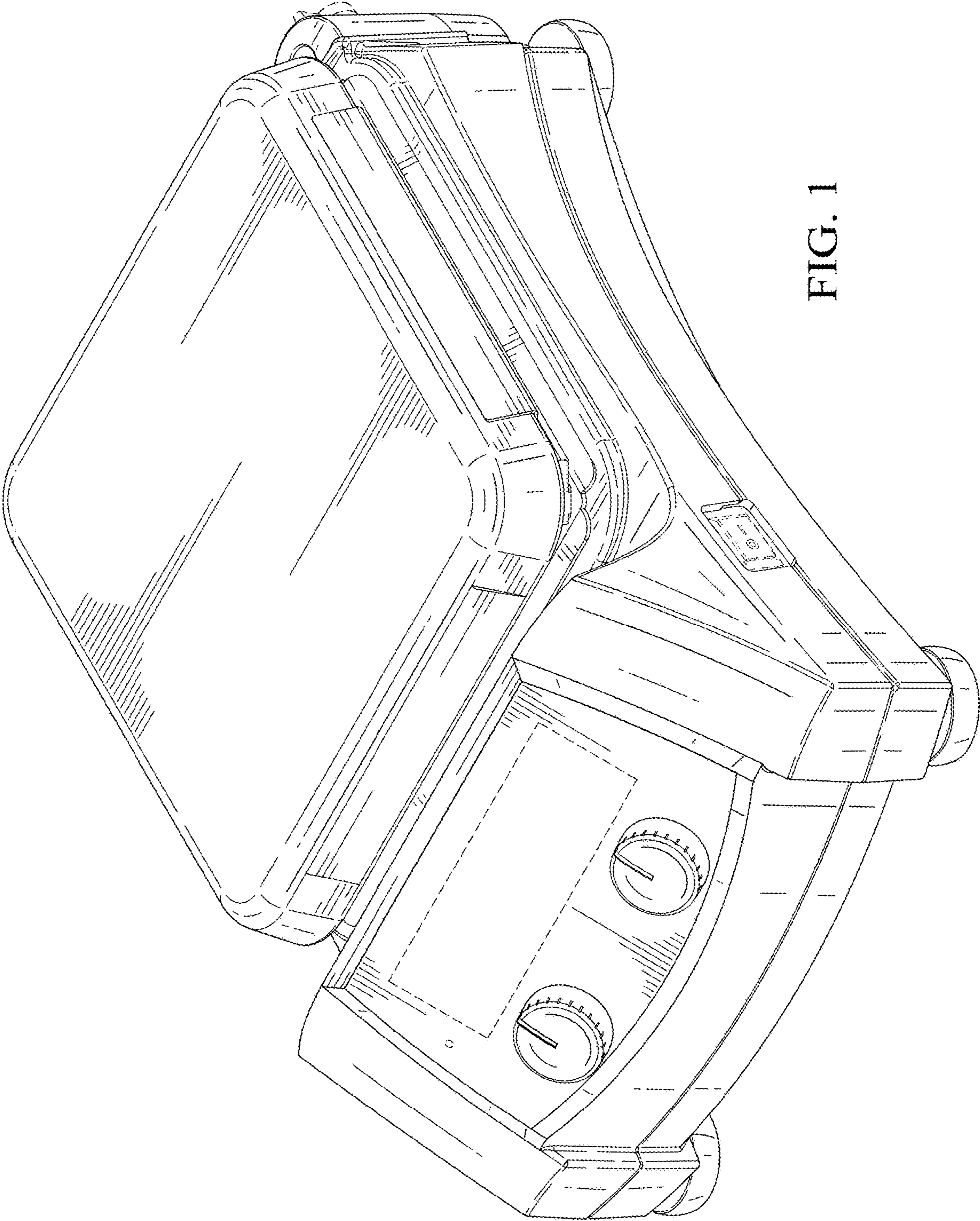


FIG. 1

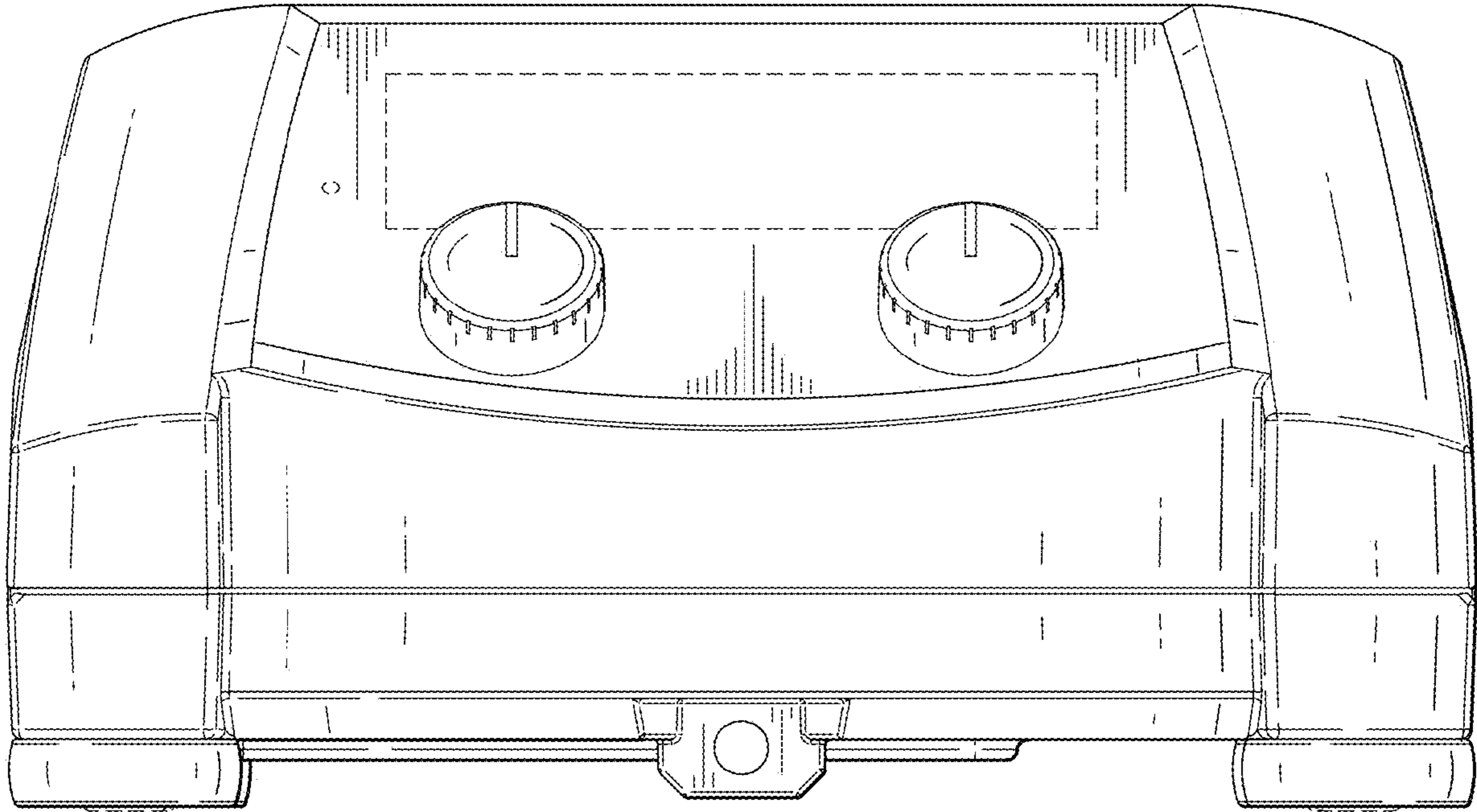


FIG. 2

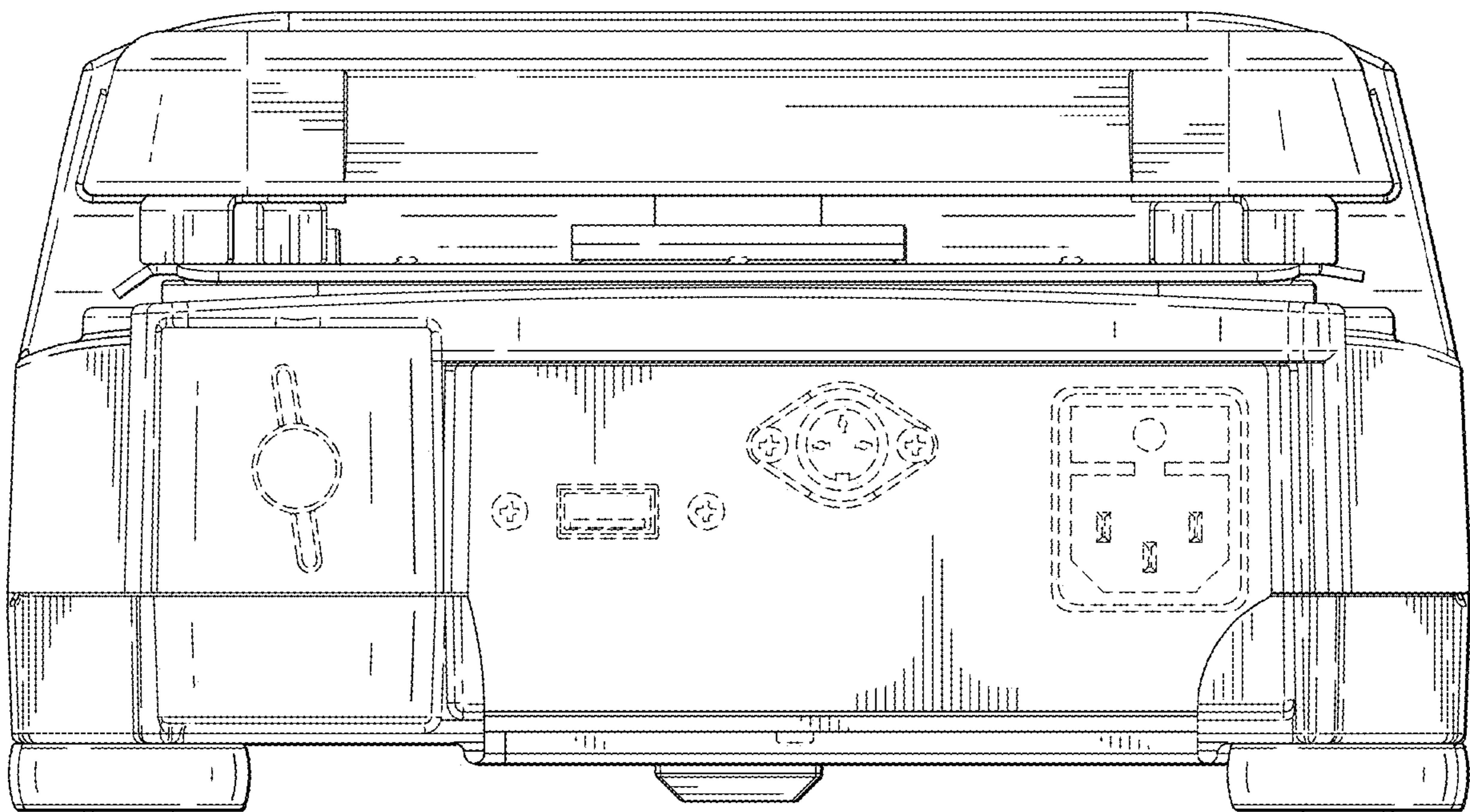


FIG. 3

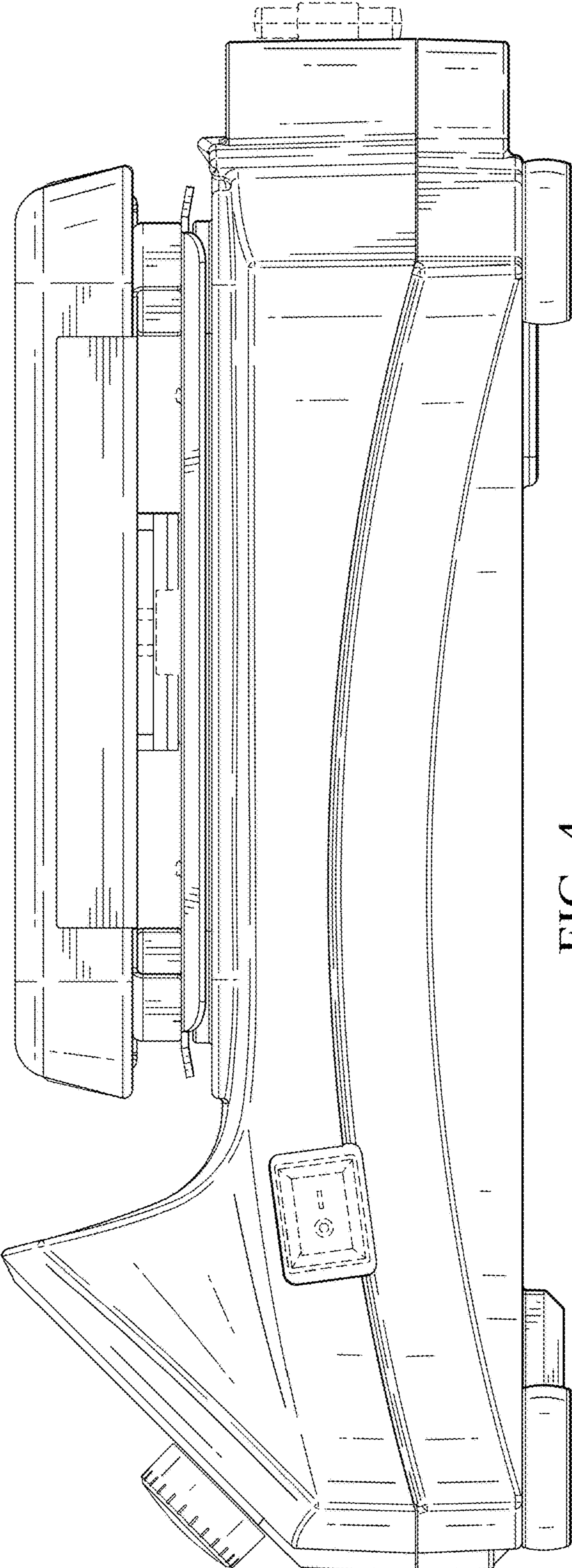


FIG. 4

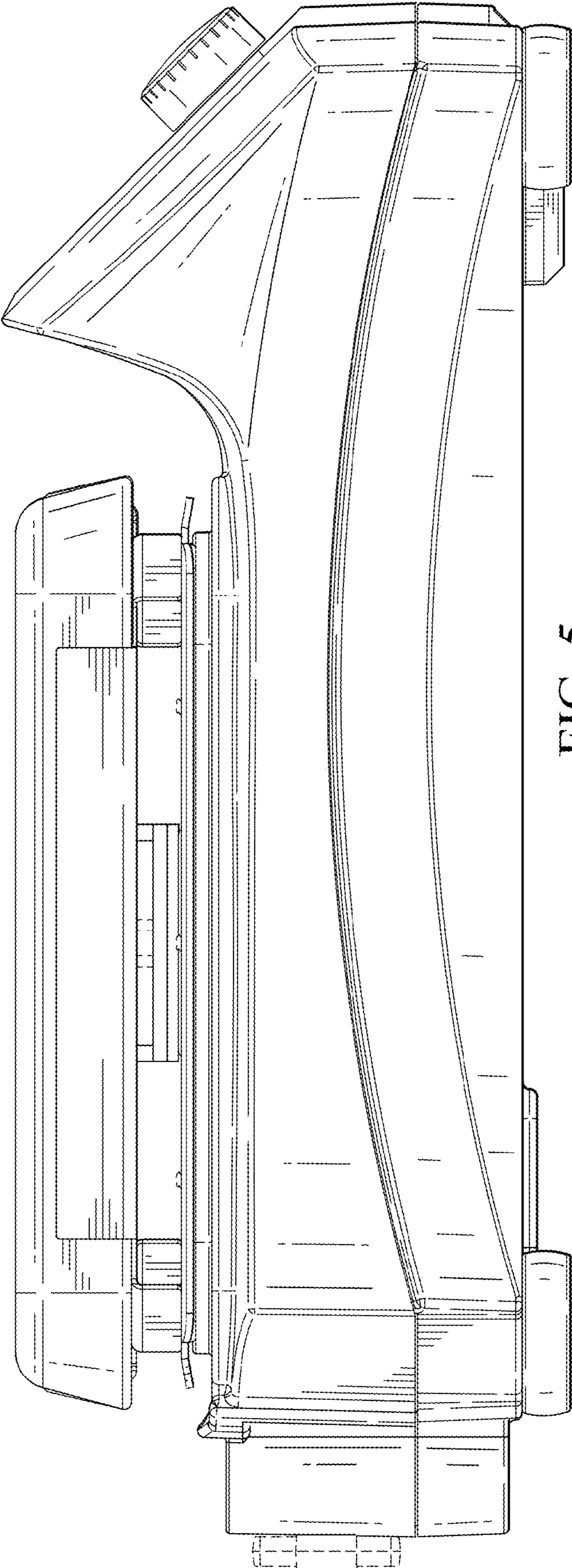
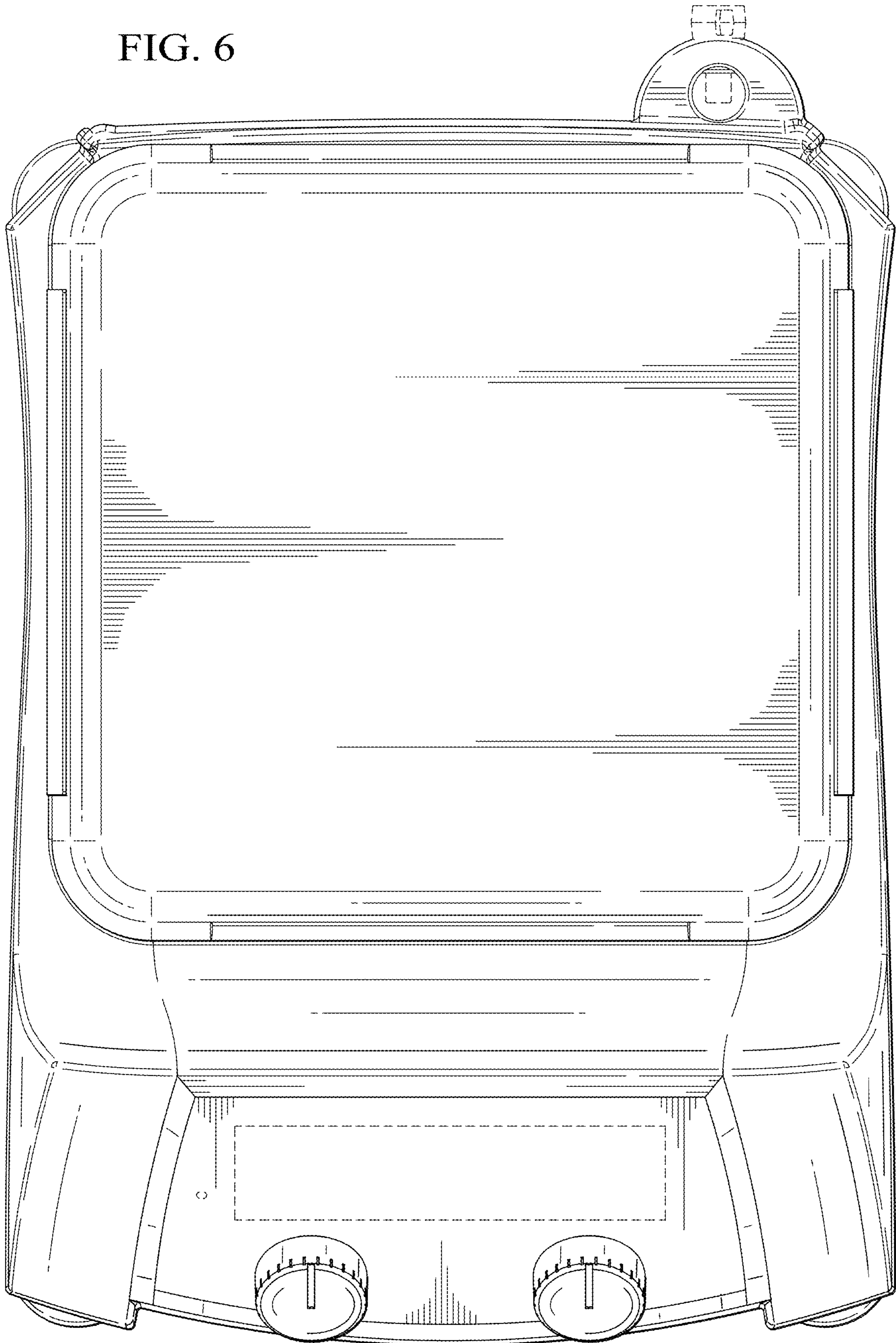


FIG. 5

FIG. 6



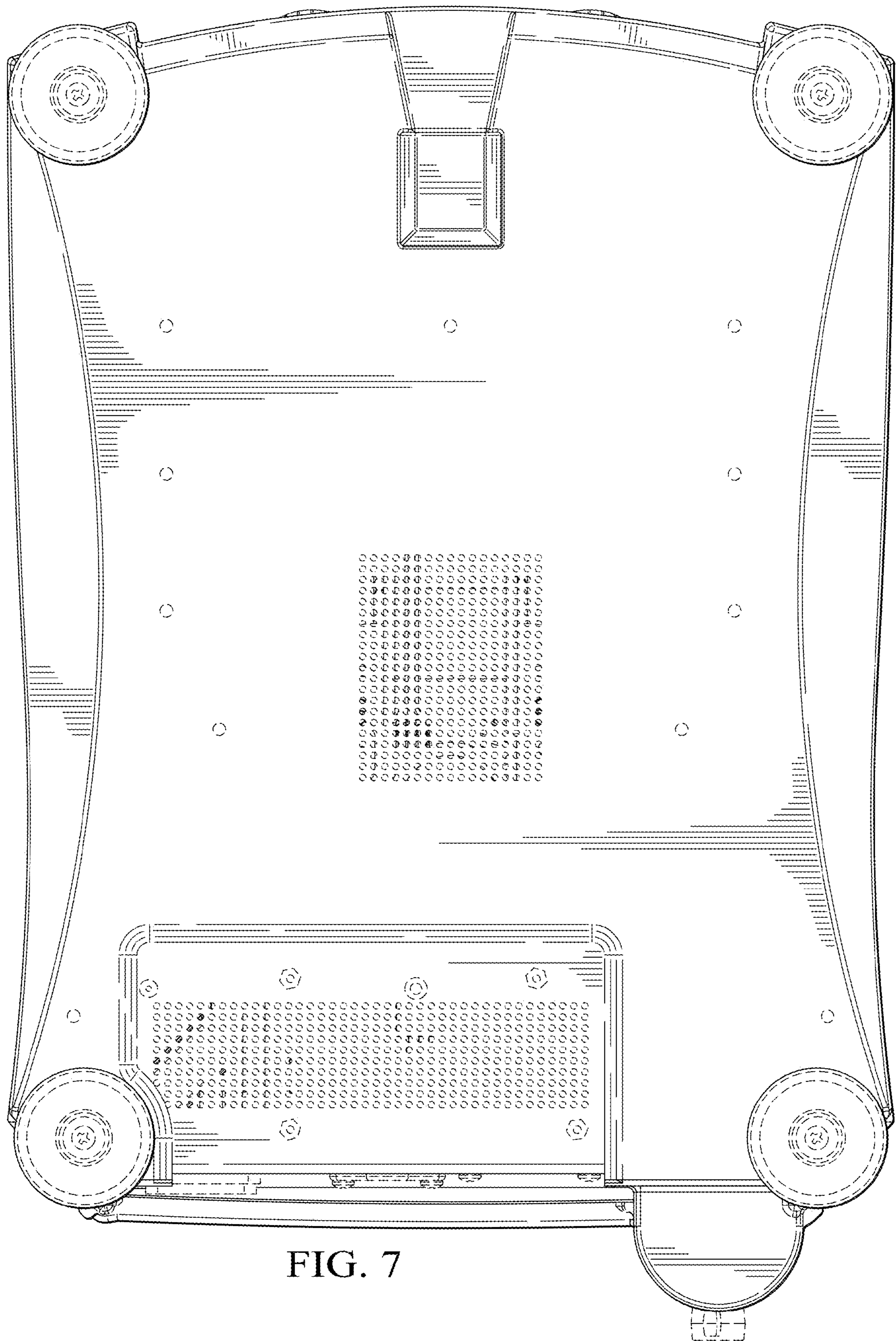


FIG. 7