



US00D940496S

(12) **United States Design Patent**
Wang

(10) **Patent No.:** **US D940,496 S**
(45) **Date of Patent:** **** Jan. 11, 2022**

(54) **TEPPANYAKI GRILL**

(71) Applicant: **GuangZhou Hengfu Hardware Technology CO., LTD**, Guangzhou (CN)

(72) Inventor: **Randolph Wang**, Guangzhou (CN)

(73) Assignee: **GUANGZHOU HENGFU HARDWARE TECHNOLOGY CO., LTD**, Guangzhou (CN)

(**) Term: **15 Years**

(21) Appl. No.: **29/737,582**

(22) Filed: **Jun. 10, 2020**

(30) **Foreign Application Priority Data**

Apr. 22, 2020 (CN) 202030168839.2

(51) **LOC (13) Cl.** **07-02**

(52) **U.S. Cl.**
USPC **D7/362; D7/352; D7/363**

(58) **Field of Classification Search**
USPC D7/323, 328-330, 337, 347, 352-364, D7/367, 390, 402, 409-411, 698
(Continued)

(56) **References Cited**

U.S. PATENT DOCUMENTS

2,715,173 A * 8/1955 Farquharson F24C 15/101
219/450.1
3,317,709 A * 5/1967 Beasley F24C 15/105
219/448.17

(Continued)

OTHER PUBLICATIONS

Camplux Propane Gas Griddle Grill. Date First Available on Amazon.com Jul. 31, 2020 <https://www.amazon.com/Portable-Automatic-Ignition-Certification-Functional/dp/B08F27PWFS/ref> (Year: 2020).*

Primary Examiner — Ricky Pham

(74) *Attorney, Agent, or Firm* — Tucker Ellis LLP; Heather M. Barnes

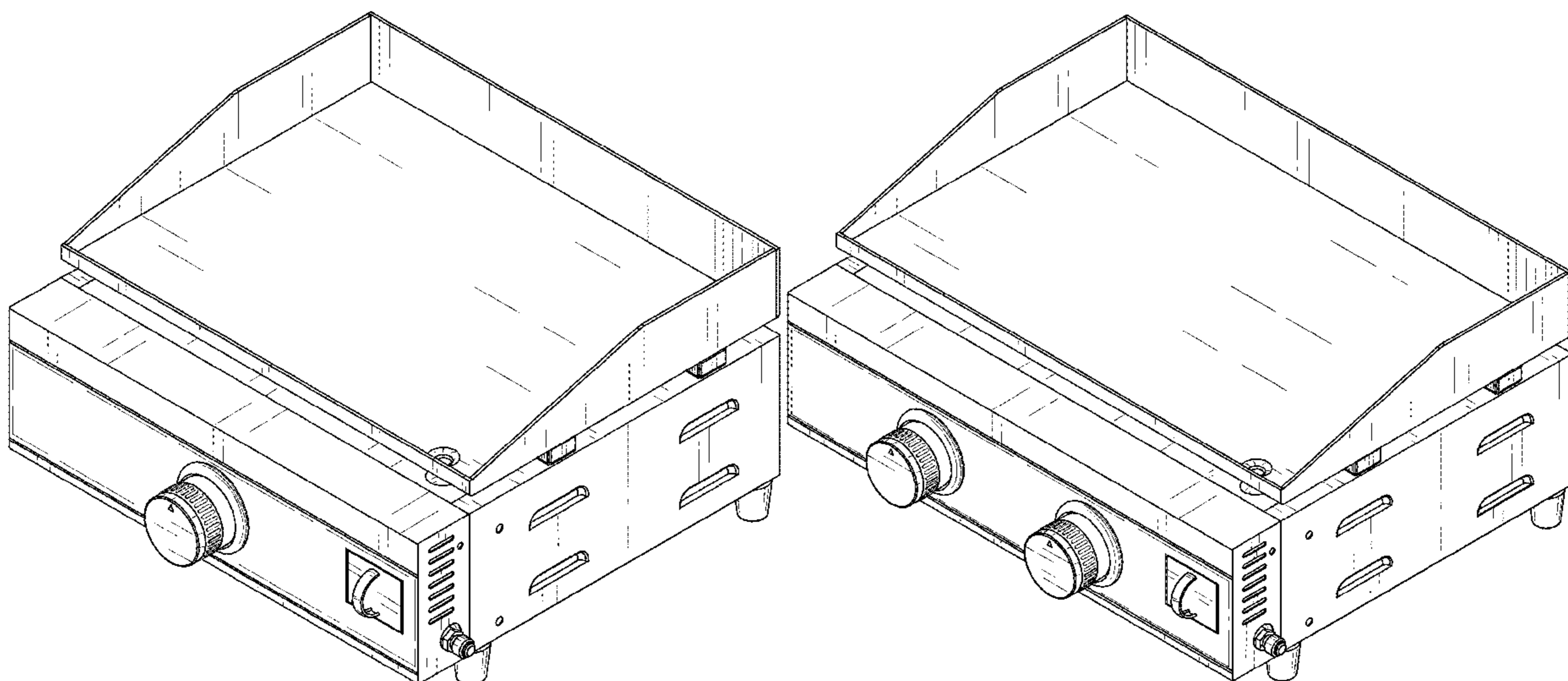
(57) **CLAIM**

The ornamental design for a teppanyaki grill, as shown and described.

DESCRIPTION

FIG. 1 is a front elevation view of a first teppanyaki grill of the present invention;
FIG. 2 is a rear elevation view thereof;
FIG. 3 is a left-side elevation view thereof;
FIG. 4 is a right-side elevation view thereof;
FIG. 5 is a top plan view thereof; and
FIG. 6 is a bottom plan view thereof;
FIG. 7 is a front perspective view thereof; and
FIG. 8 is a bottom perspective view thereof;
FIG. 9 is a front elevation view of a second teppanyaki grill of the present invention;
FIG. 10 is a rear elevation view thereof;
FIG. 11 is a left-side elevation view thereof;
FIG. 12 is a right-side elevation view thereof;
FIG. 13 is a top plan view thereof;
FIG. 14 is a bottom plan view thereof;
FIG. 15 is a front perspective view thereof; and
FIG. 16 is a bottom perspective view thereof;
FIG. 17 is a front elevation view of a third teppanyaki grill of the present invention;
FIG. 18 is a rear elevation view thereof;
FIG. 19 is a left-side elevation view thereof;
FIG. 20 is a right-side elevation view thereof;
FIG. 21 is a top plan view thereof;
FIG. 22 is a bottom plan view thereof;
FIG. 23 is a front perspective view thereof; and
FIG. 24 is a bottom perspective view thereof.
The broken lines shown in the drawings are for the purpose of illustrating portions of the teppanyaki grill that form no part of the claimed design.

1 Claim, 24 Drawing Sheets



(58) **Field of Classification Search**

CPC .. A21B 2/00; A21B 5/023; A47J 27/60; A47J
27/62; A47J 37/00; A47J 37/04; A47J
37/06; A47J 37/067; A47J 37/0605; A47J
37/0611; A47J 37/0623; A47J 37/0629;
A47J 37/0676; A47J 37/08; A47J
37/0807; A47J 37/0814; A47J 37/0835;
A47J 37/0842; A47J 37/085; A47J
37/0864; A47J 37/0878; A47J 37/0885;
A47J 37/0892; A47J 2037/06; A47J
2037/0611; F23Q 9/045; F24C 15/10;
F24C 15/101; F24C 15/102; F24C
15/105; H05B 6/02; H05B 6/062

See application file for complete search history.

(56) **References Cited**

U.S. PATENT DOCUMENTS

4,987,827	A *	1/1991	Marquez	A47J 37/0611 99/331
5,413,032	A *	5/1995	Bruno	A47J 37/0676 219/436
D514,871	S *	2/2006	May	D7/337
D582,716	S *	12/2008	Averty	D7/337
D613,117	S *	4/2010	Richburg	D7/409
D614,436	S *	4/2010	Chung	D7/337
D627,189	S *	11/2010	Deman	D7/362
D655,989	S *	3/2012	Nelms	D7/698
D696,897	S *	1/2014	Kunz	D7/363
D848,204	S *	5/2019	Chung	D7/363
2009/0235918	A1 *	9/2009	Espina	F23Q 9/045 126/39 G

* cited by examiner

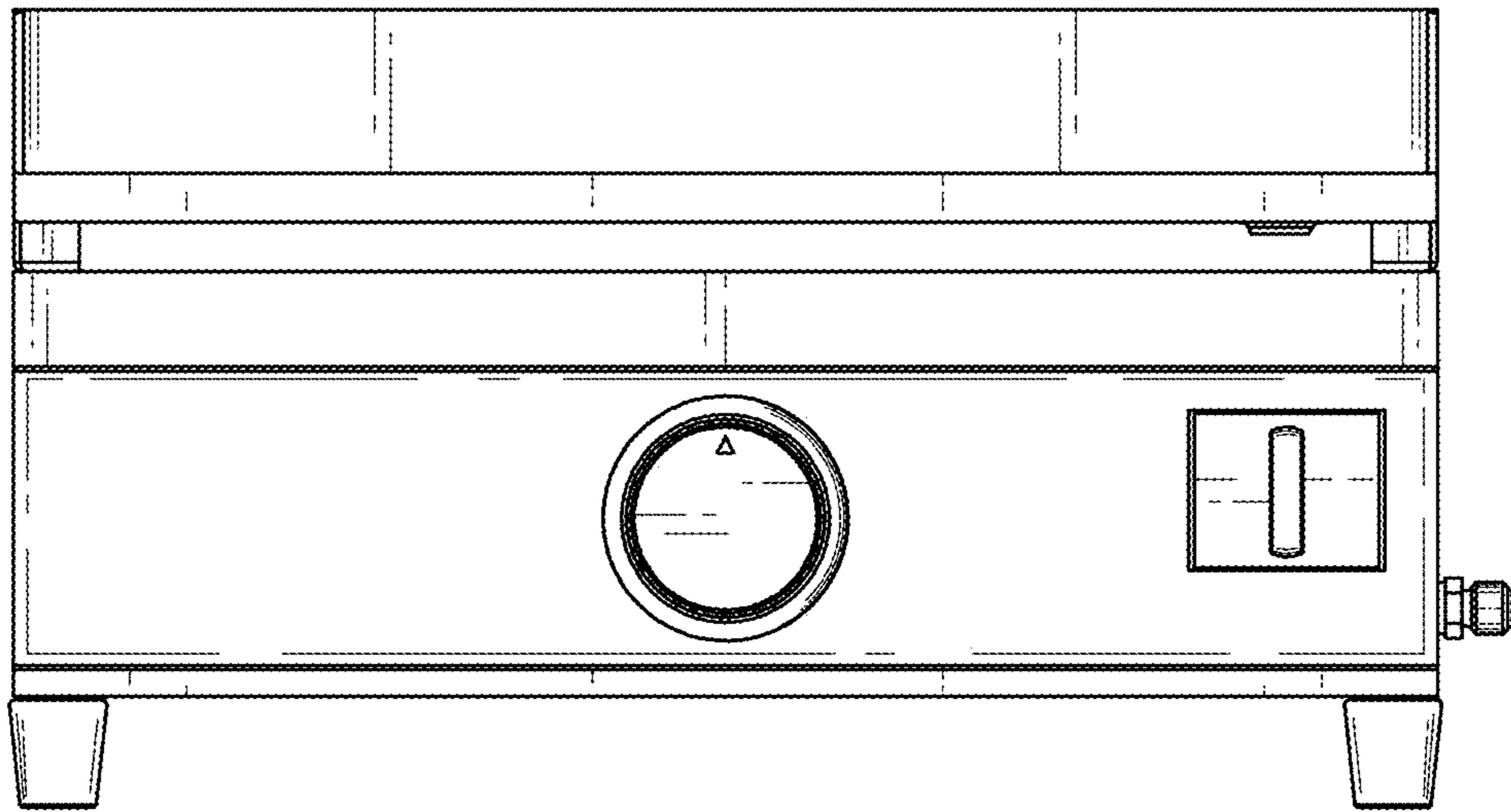


FIG. 1

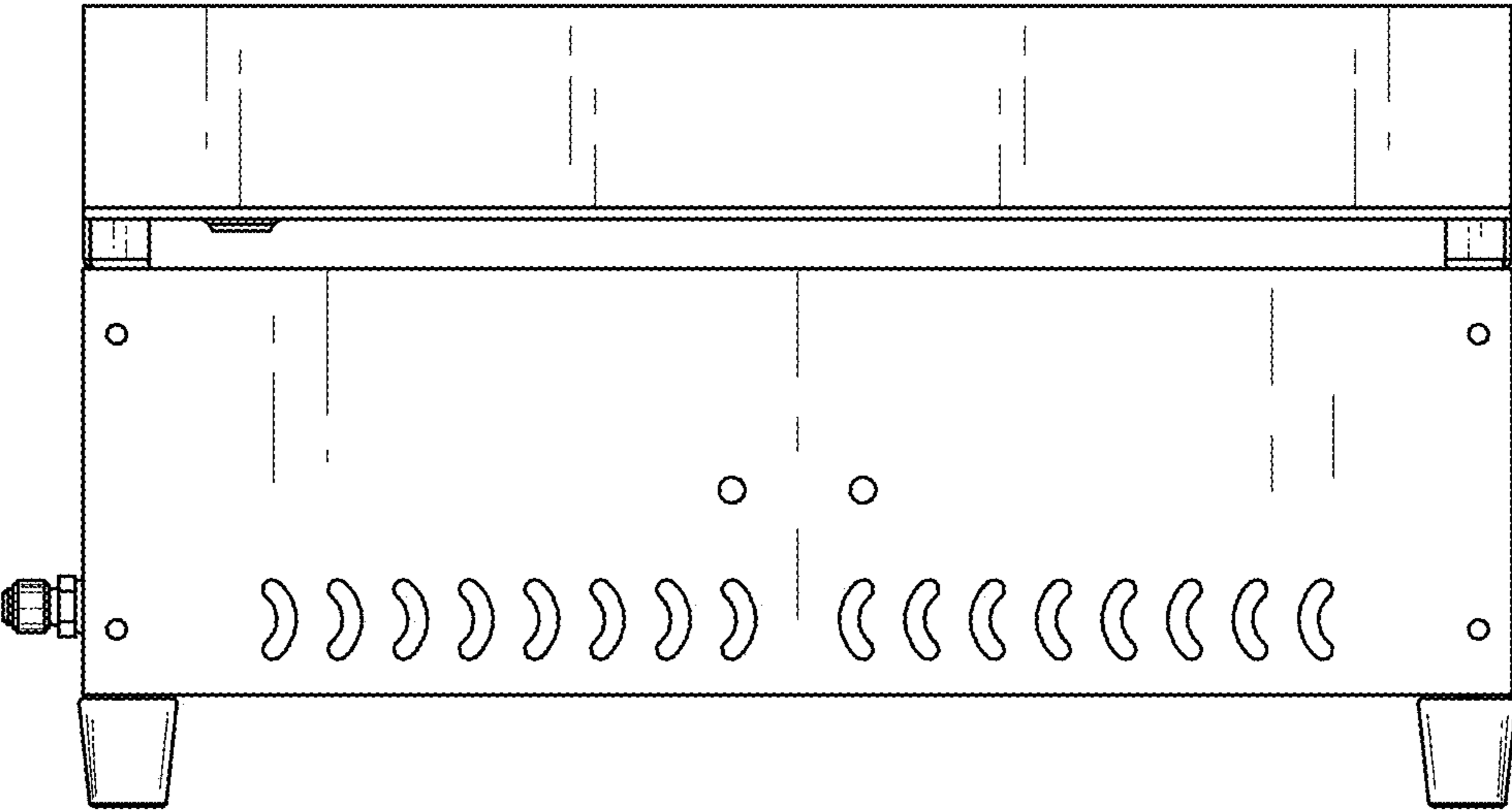


FIG. 2

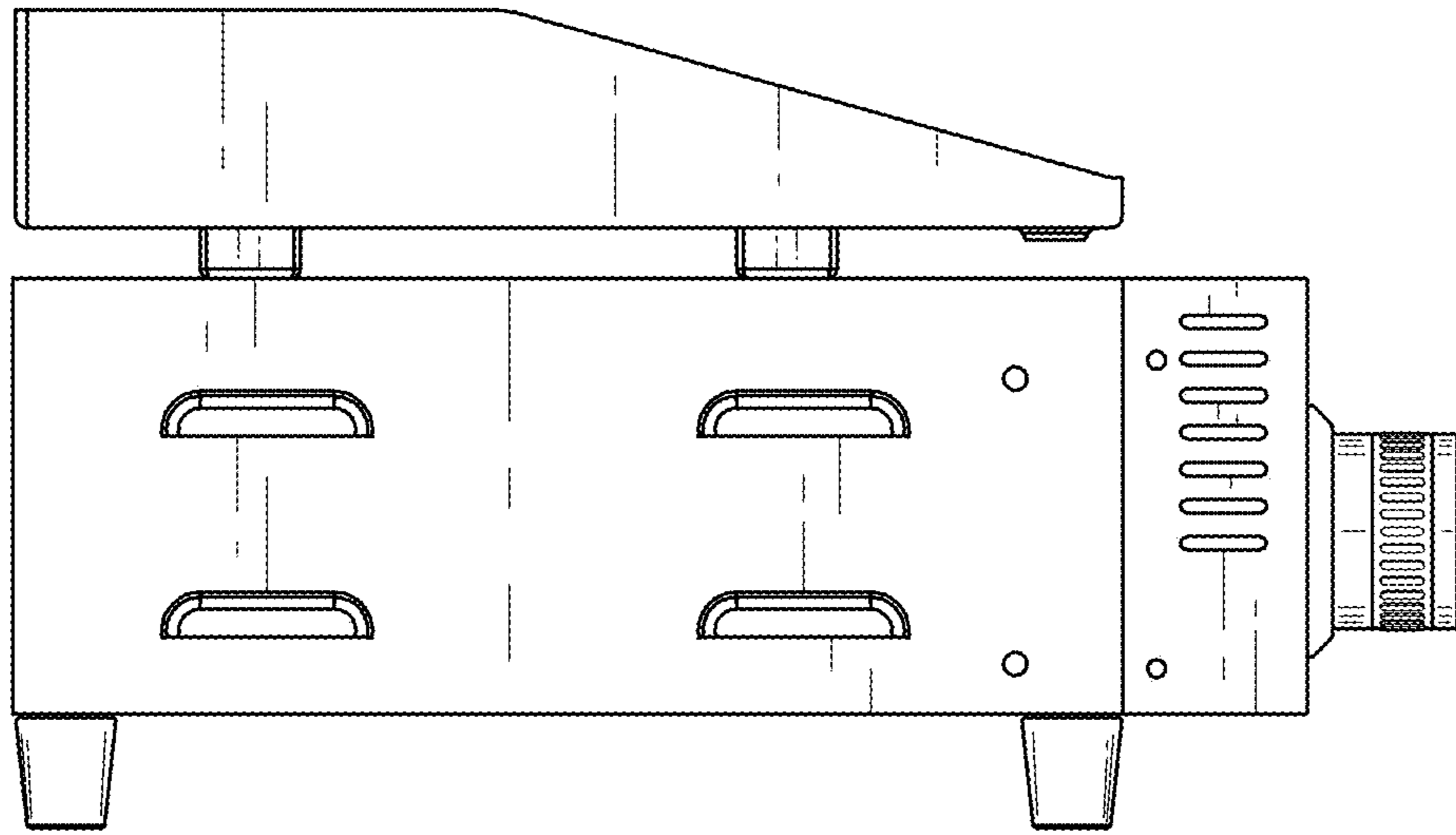


FIG. 3

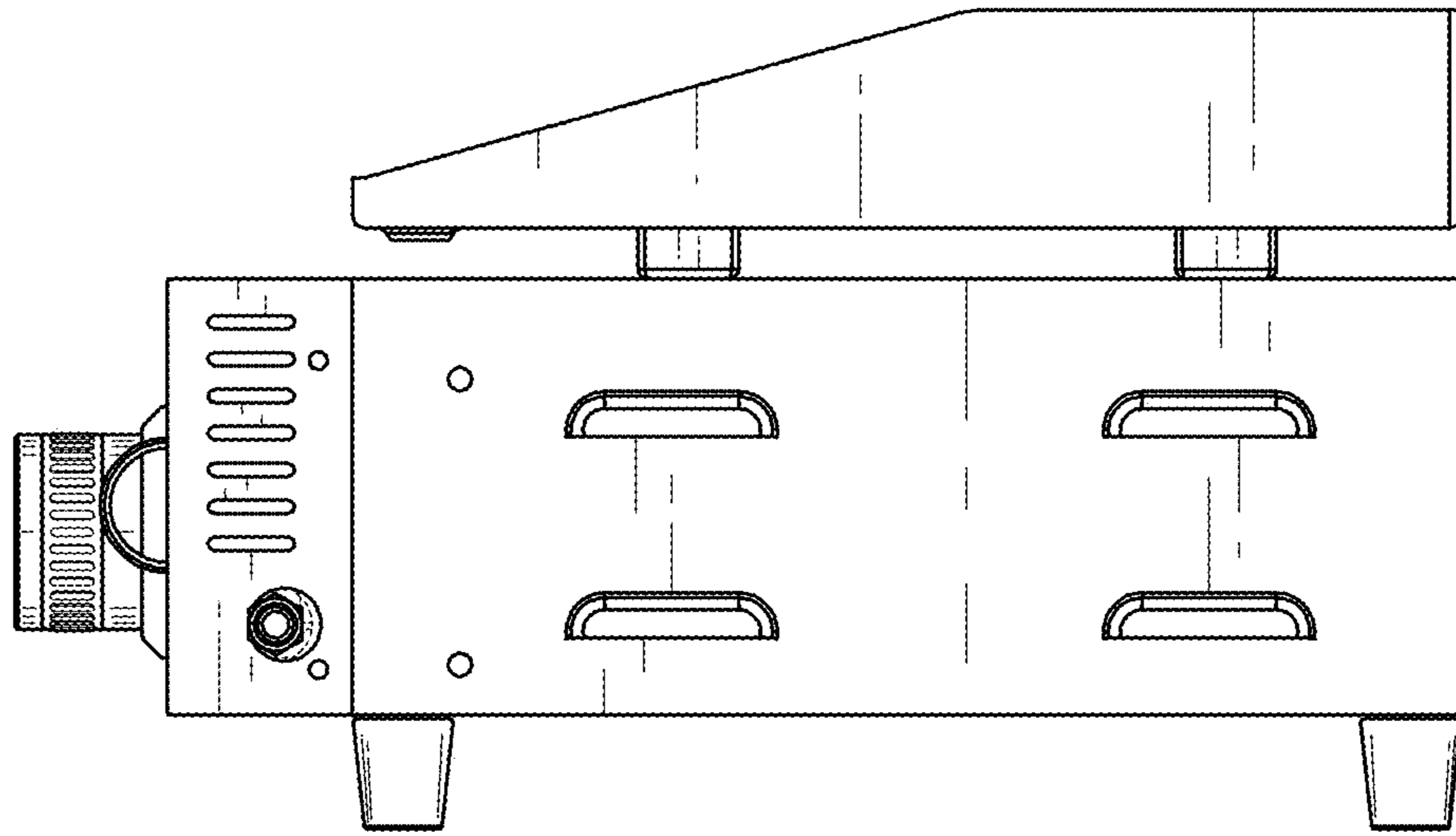


FIG. 4

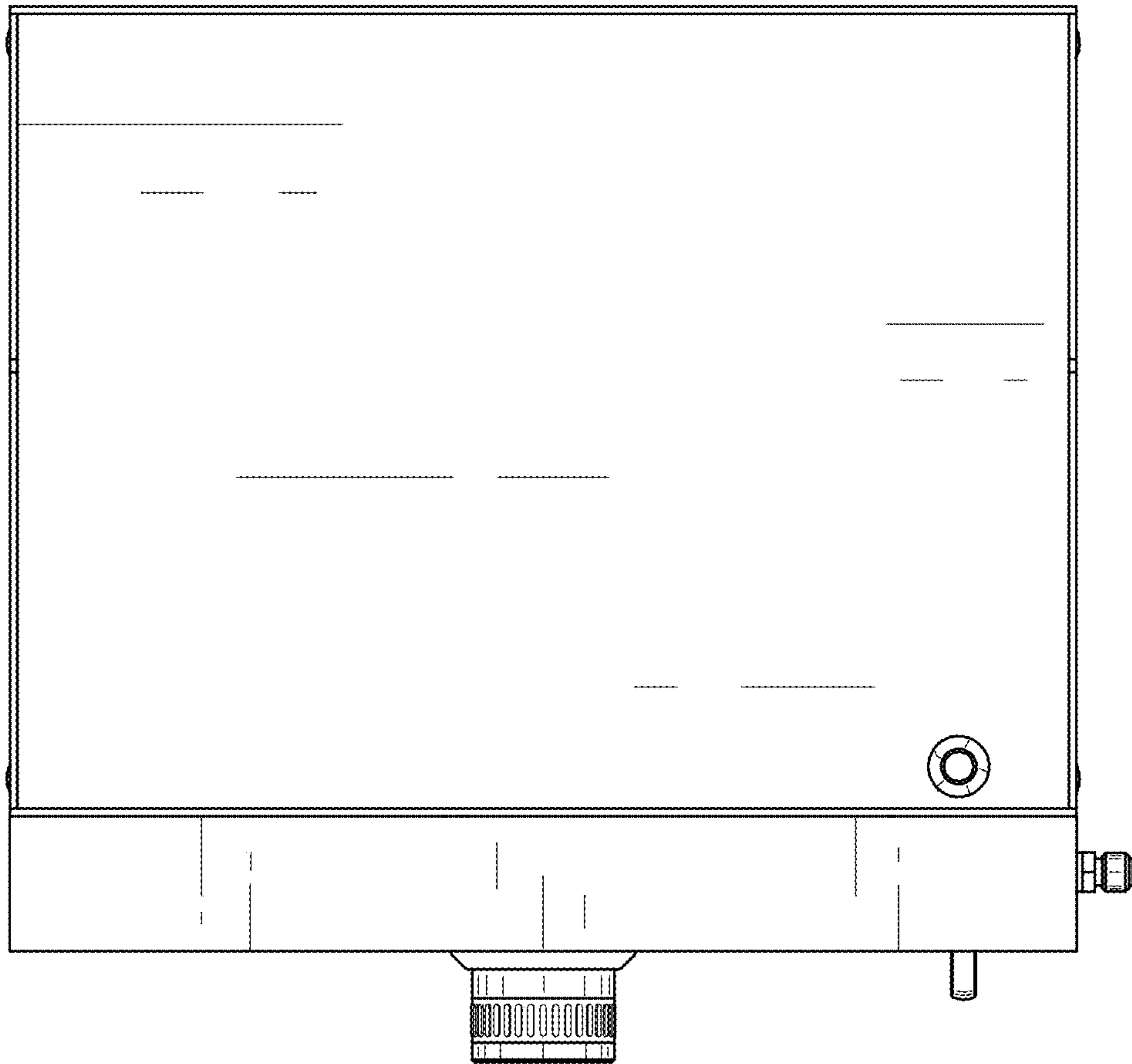


FIG. 5

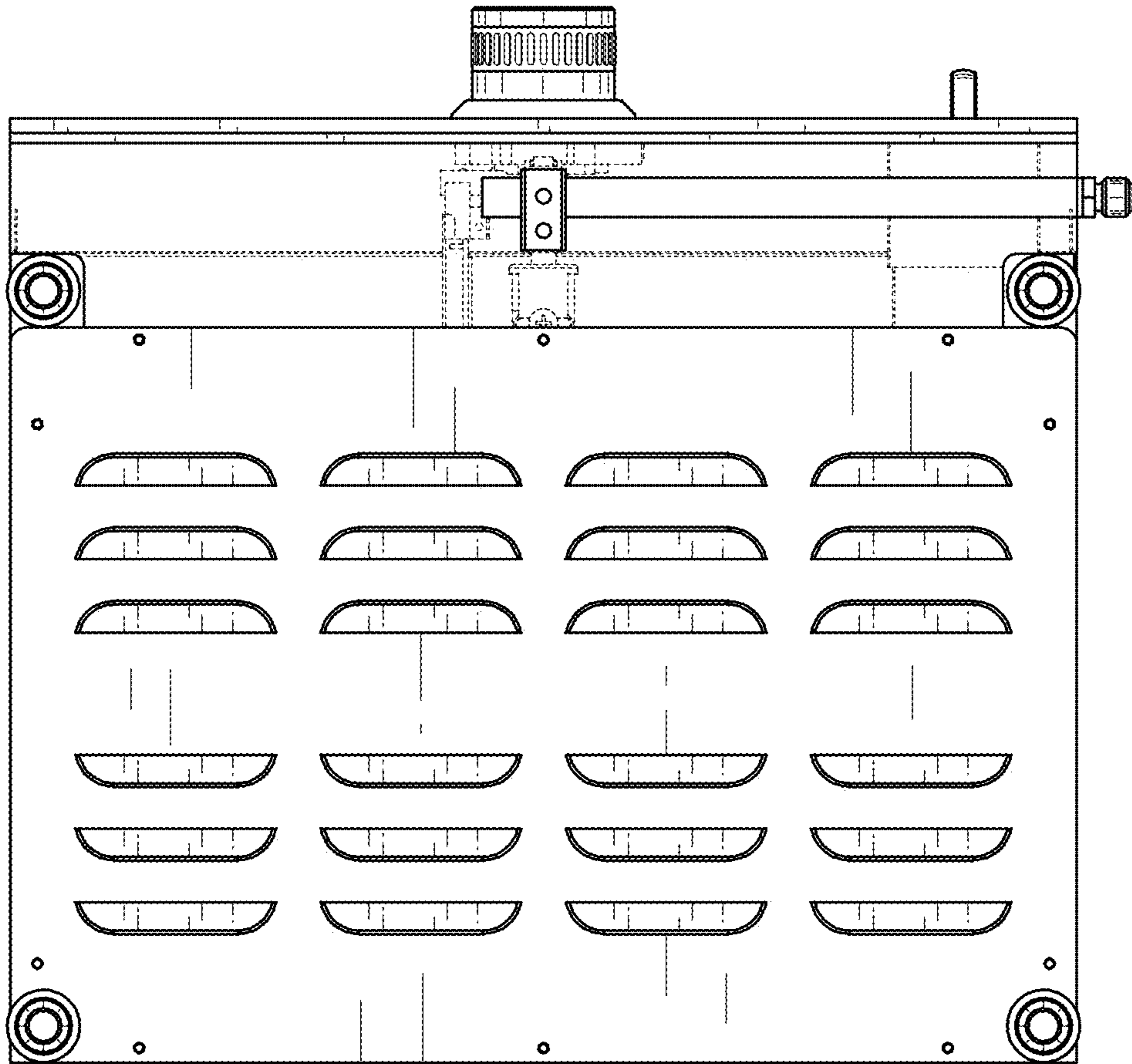


FIG. 6

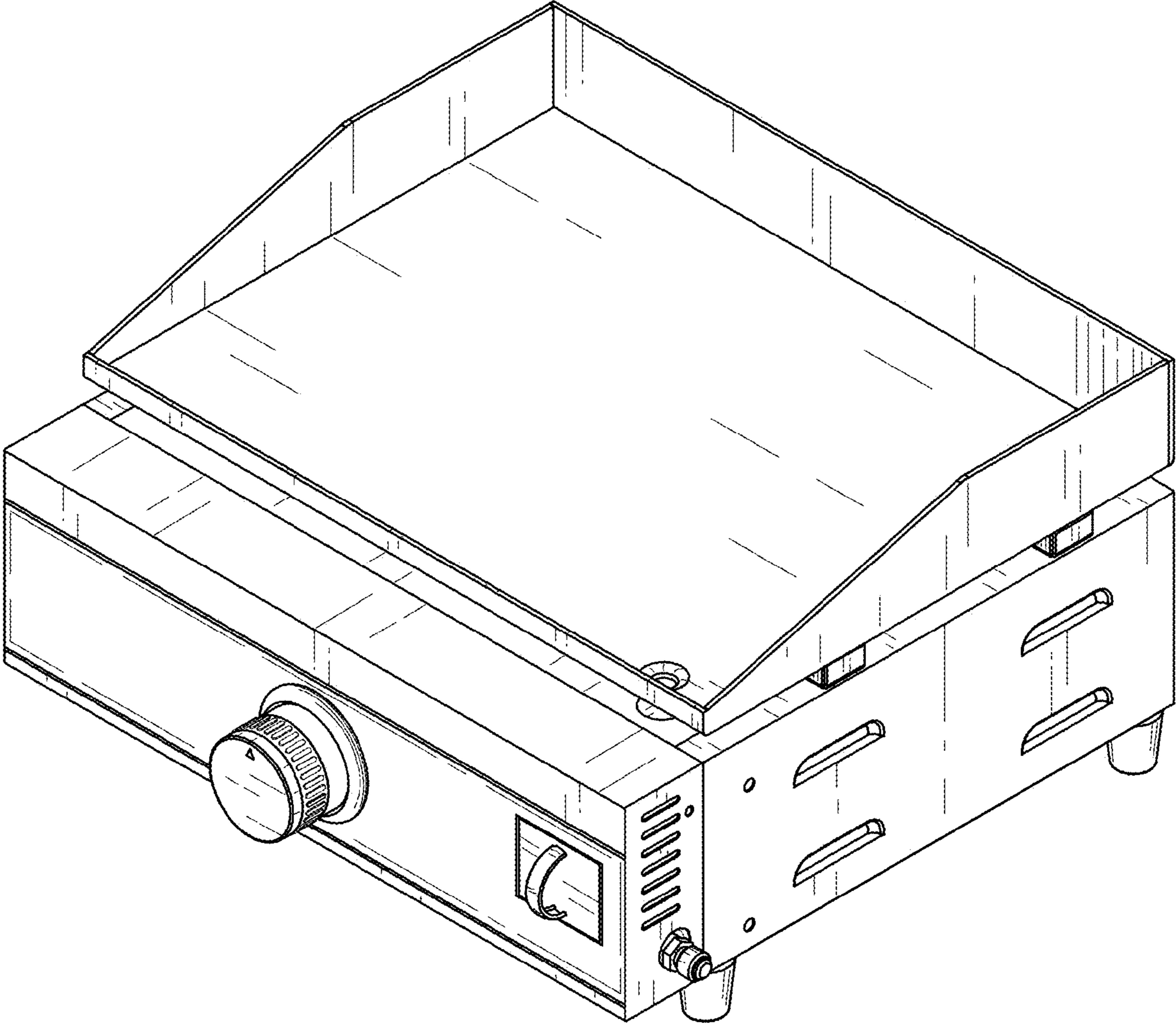


FIG. 7

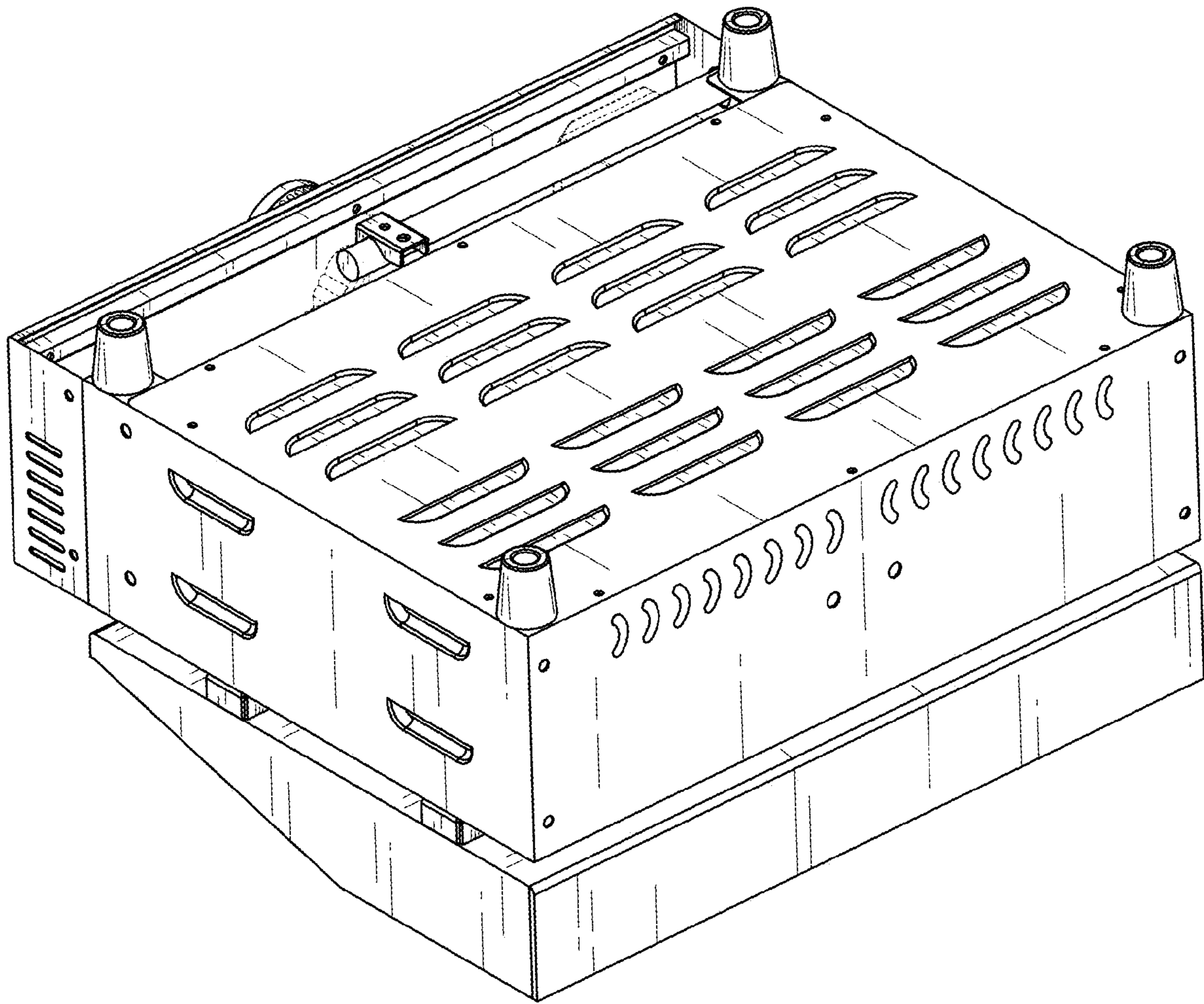


FIG. 8

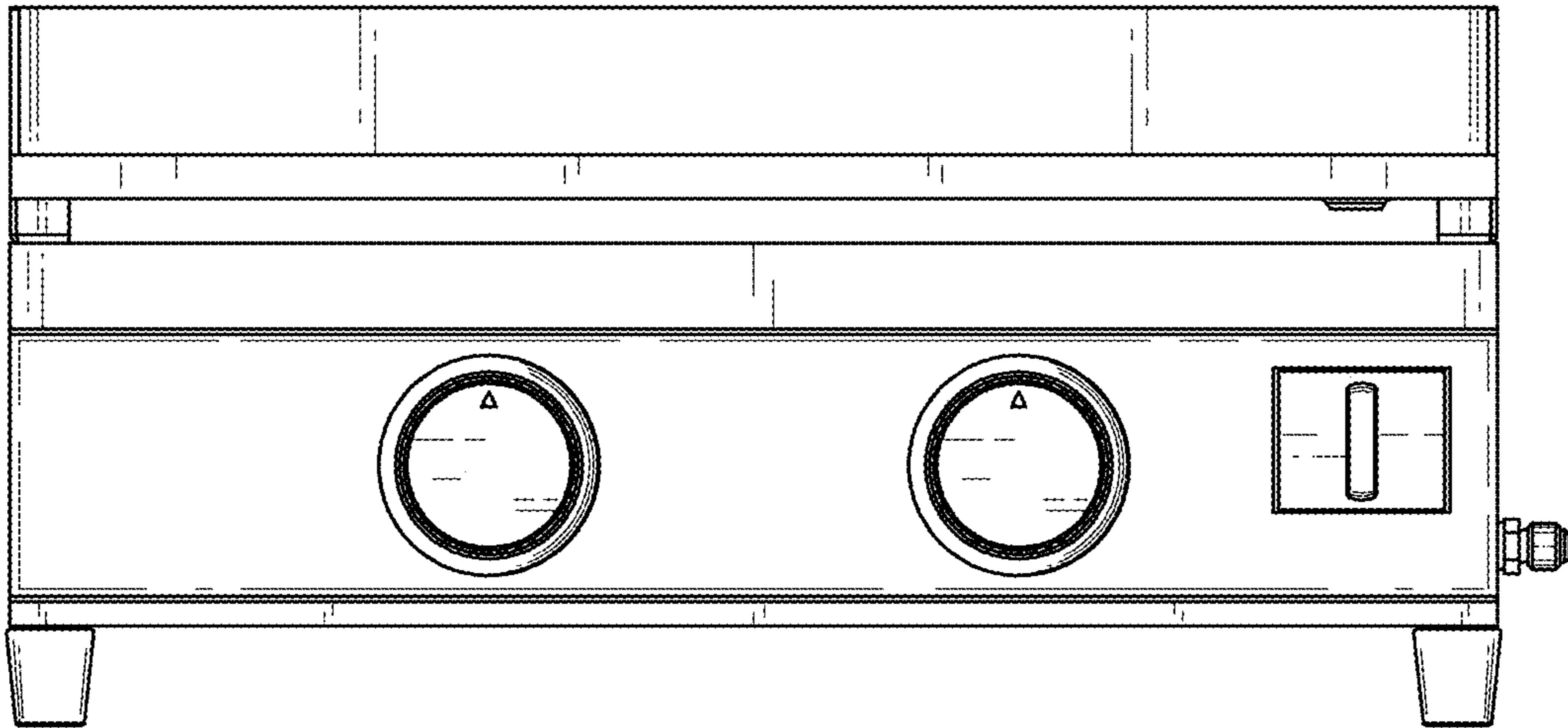


FIG. 9

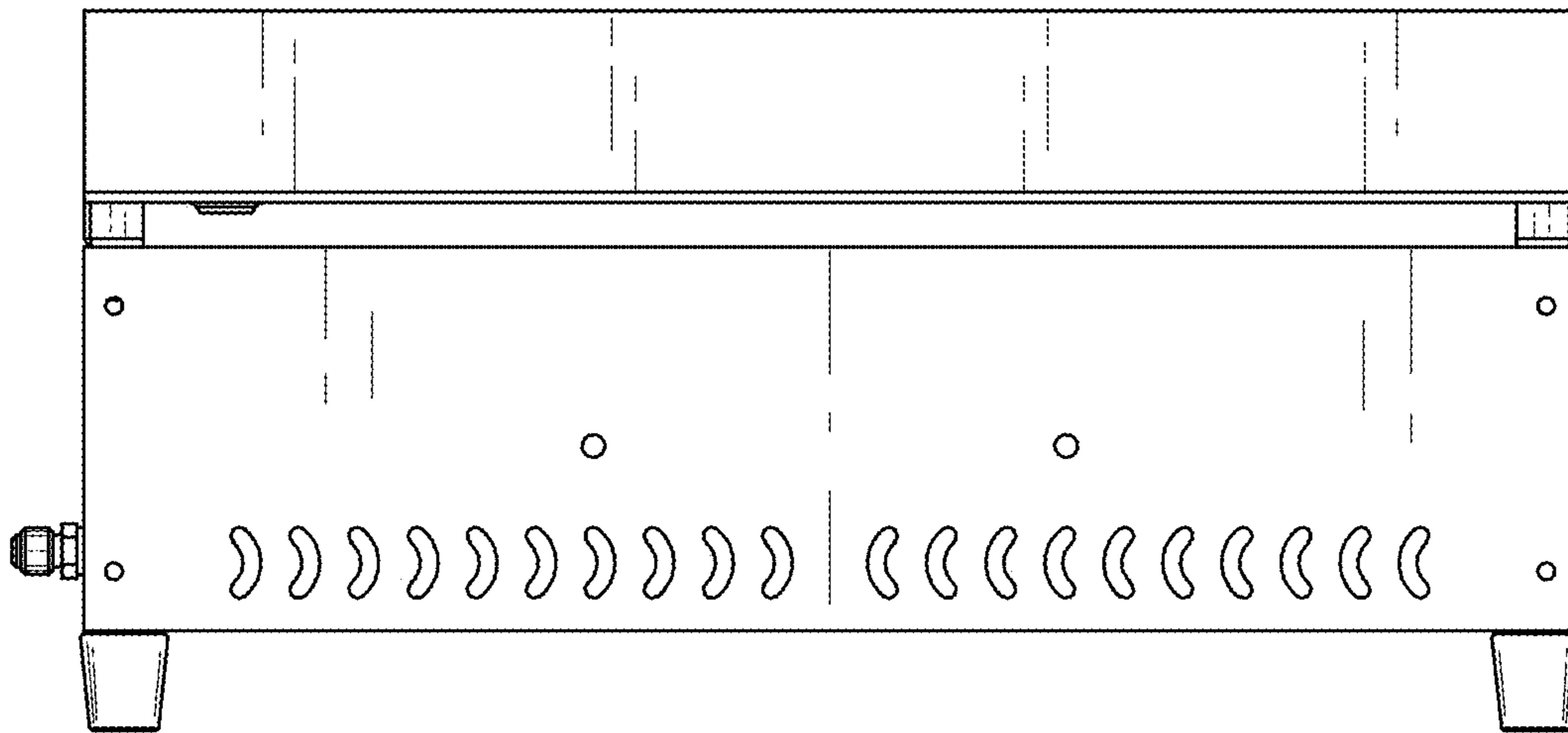


FIG. 10

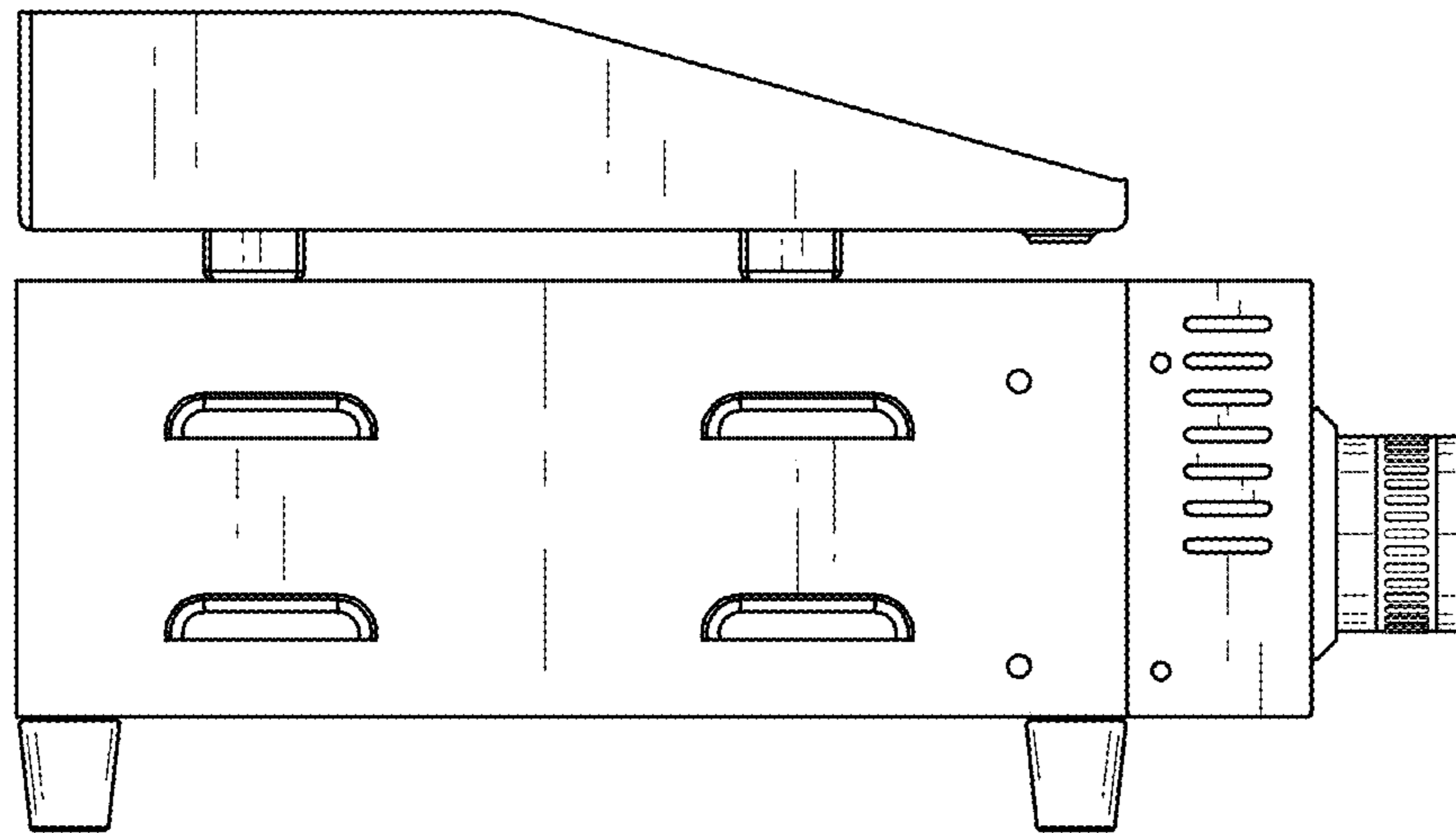


FIG. 11

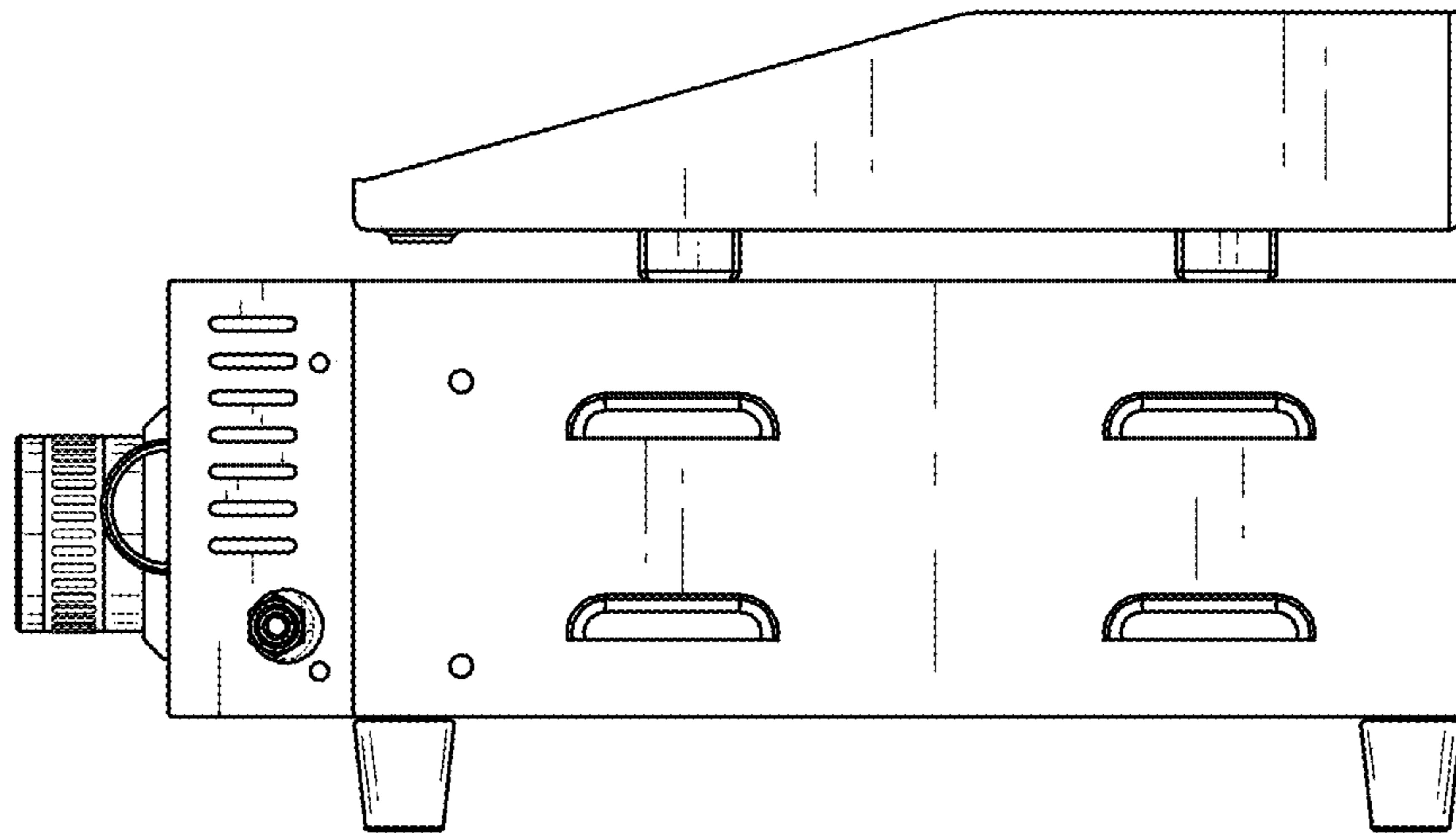


FIG. 12

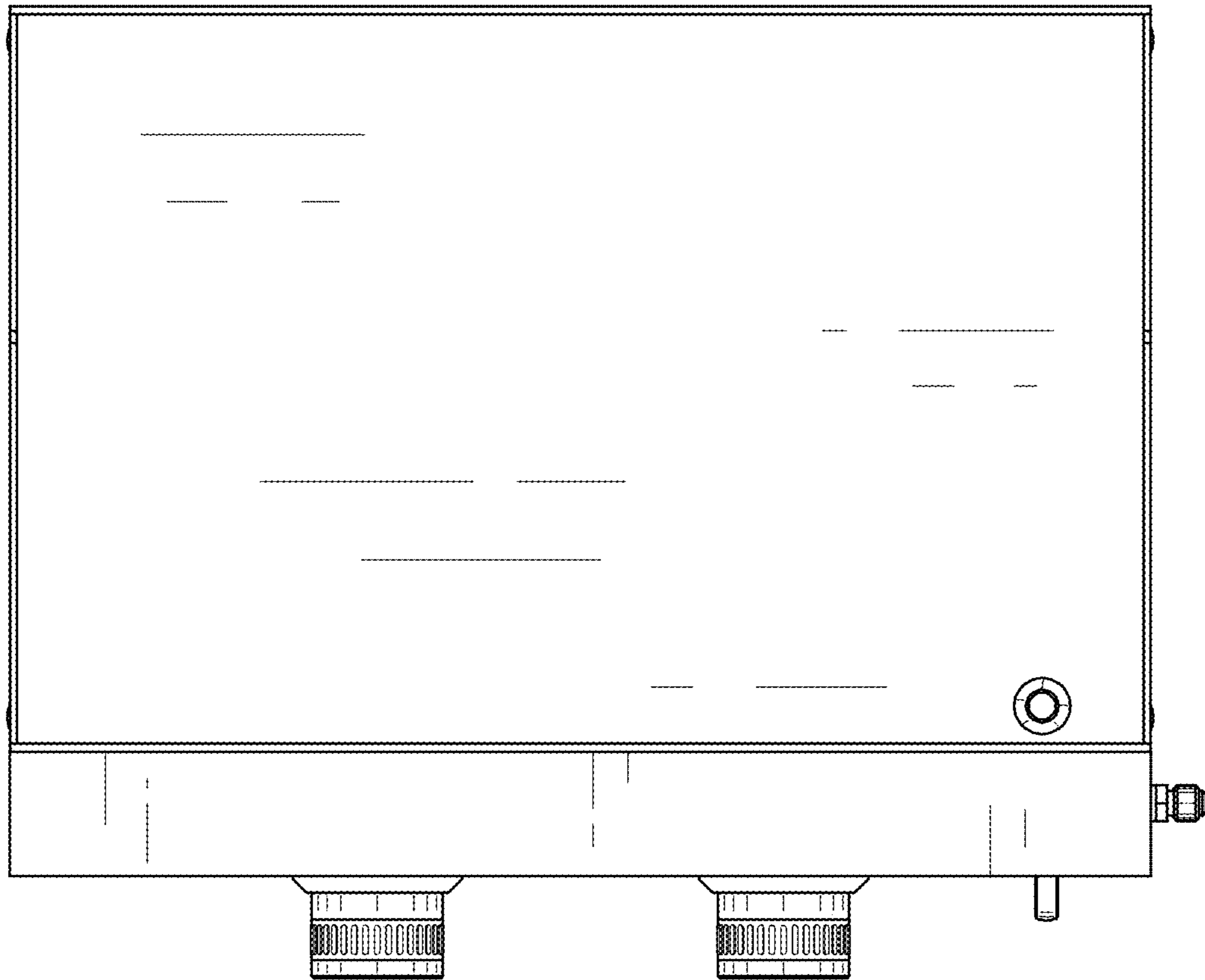


FIG. 13

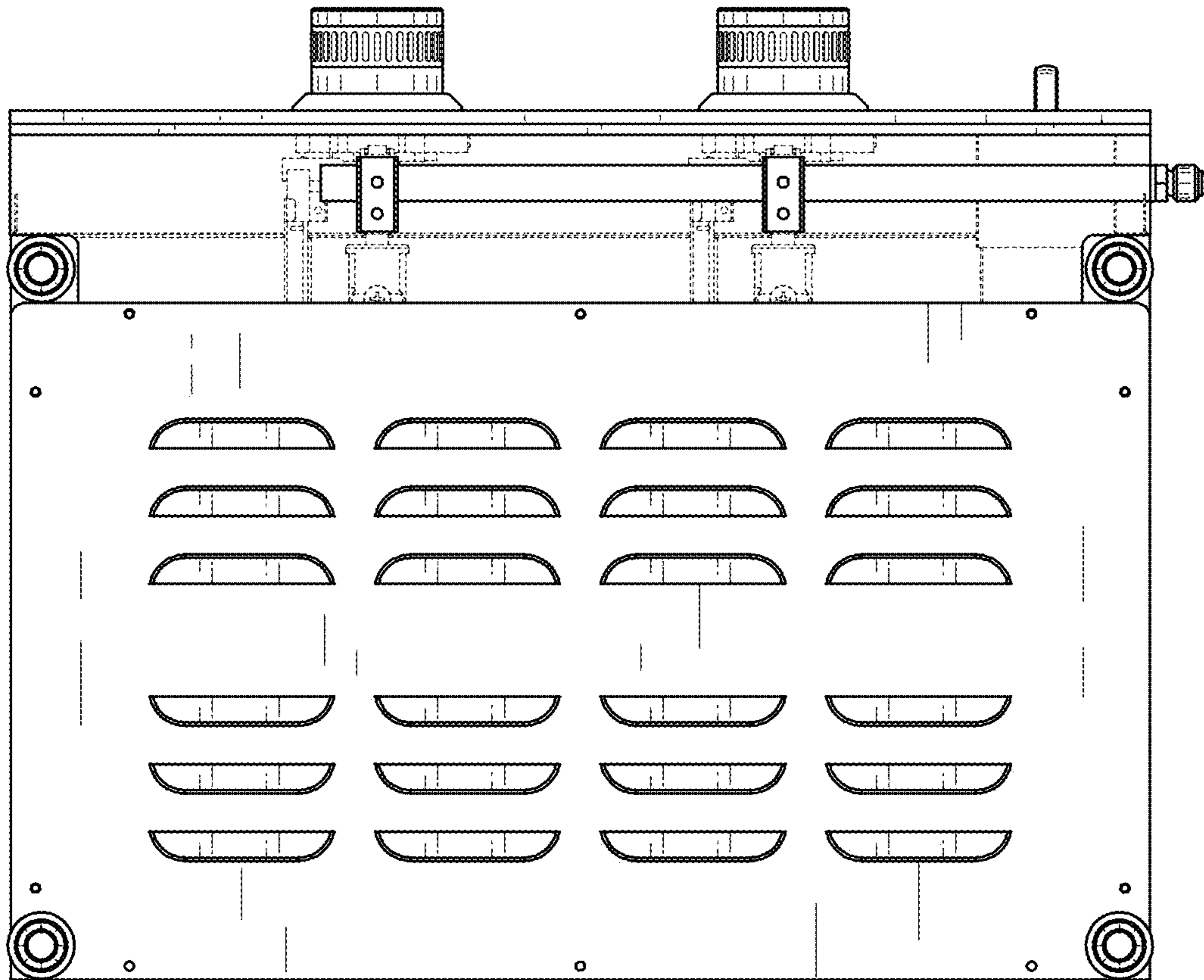


FIG. 14

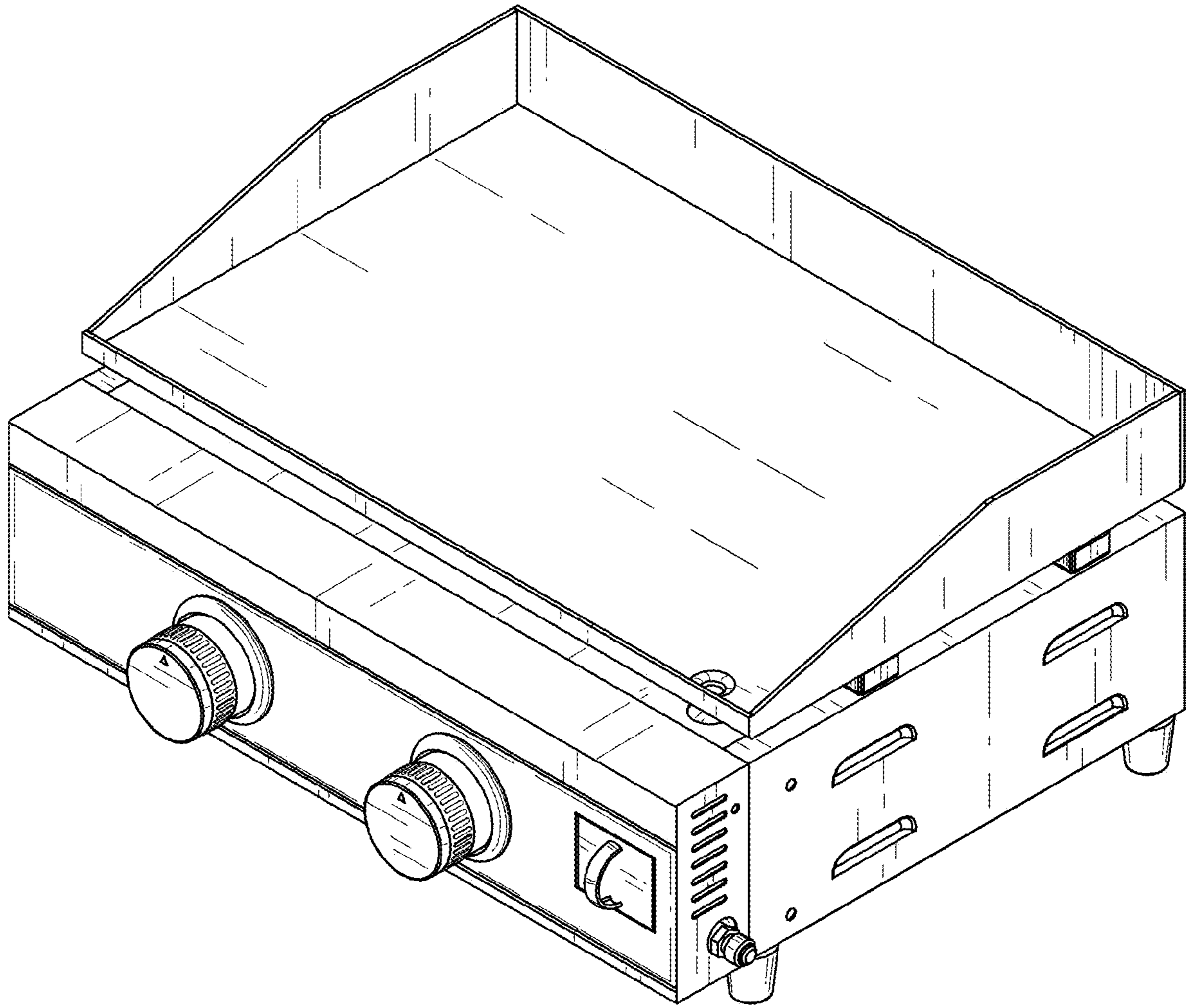


FIG. 15

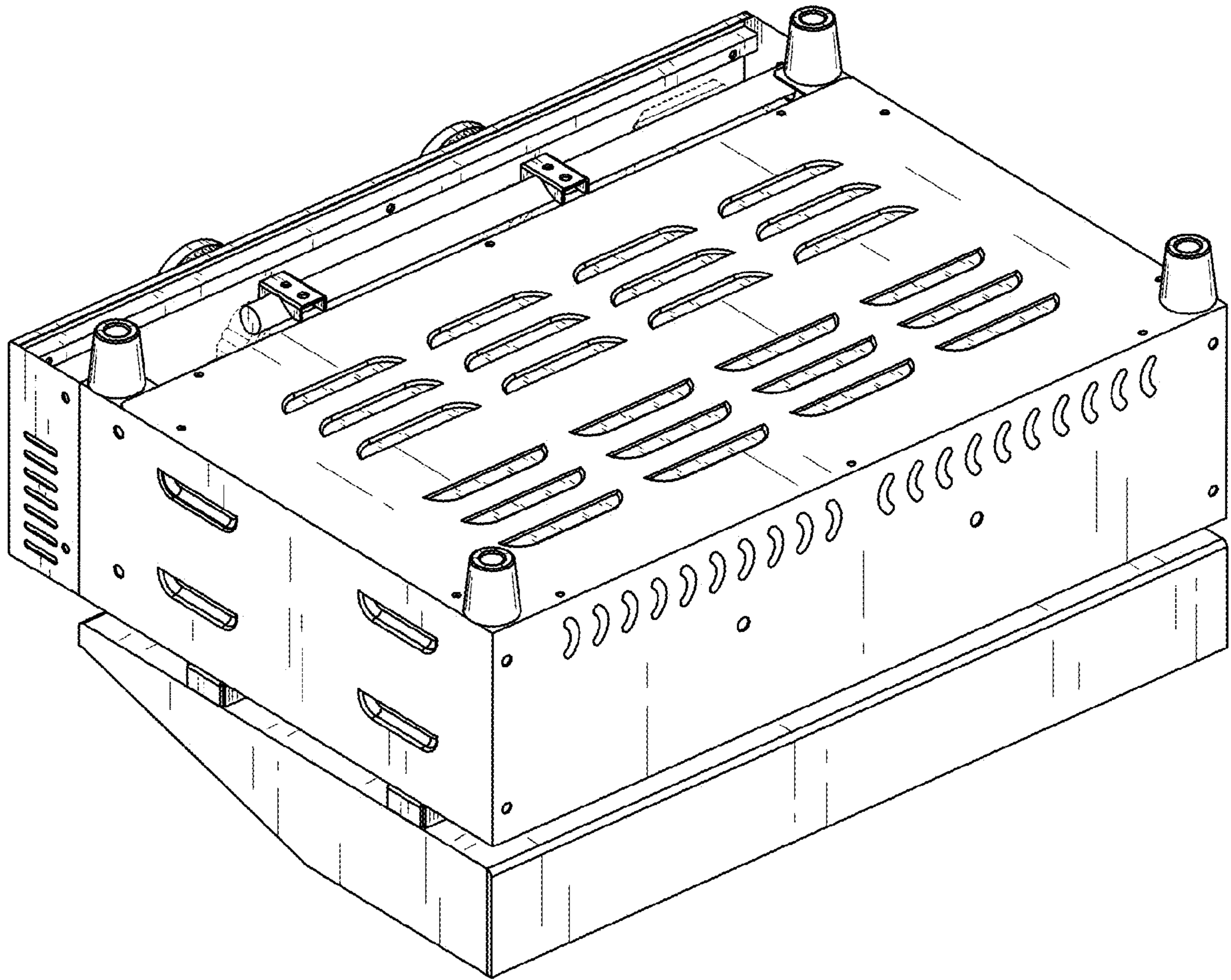


FIG. 16

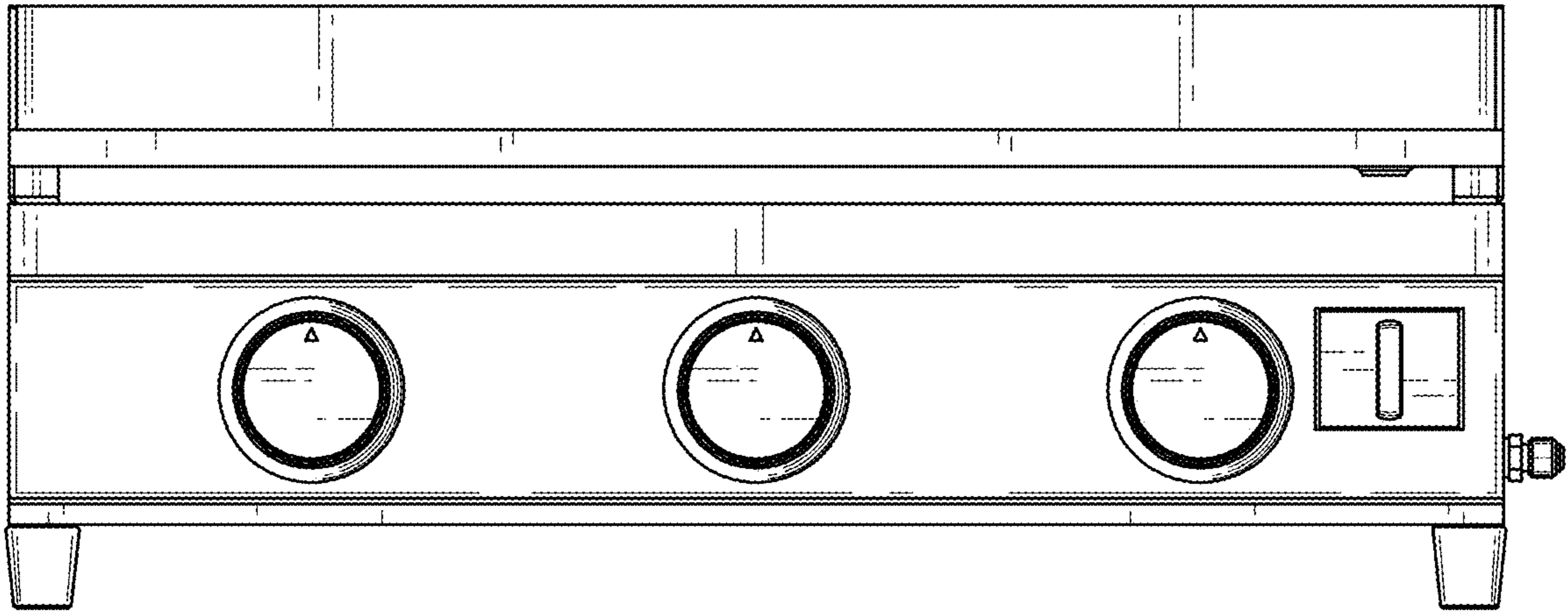


FIG. 17

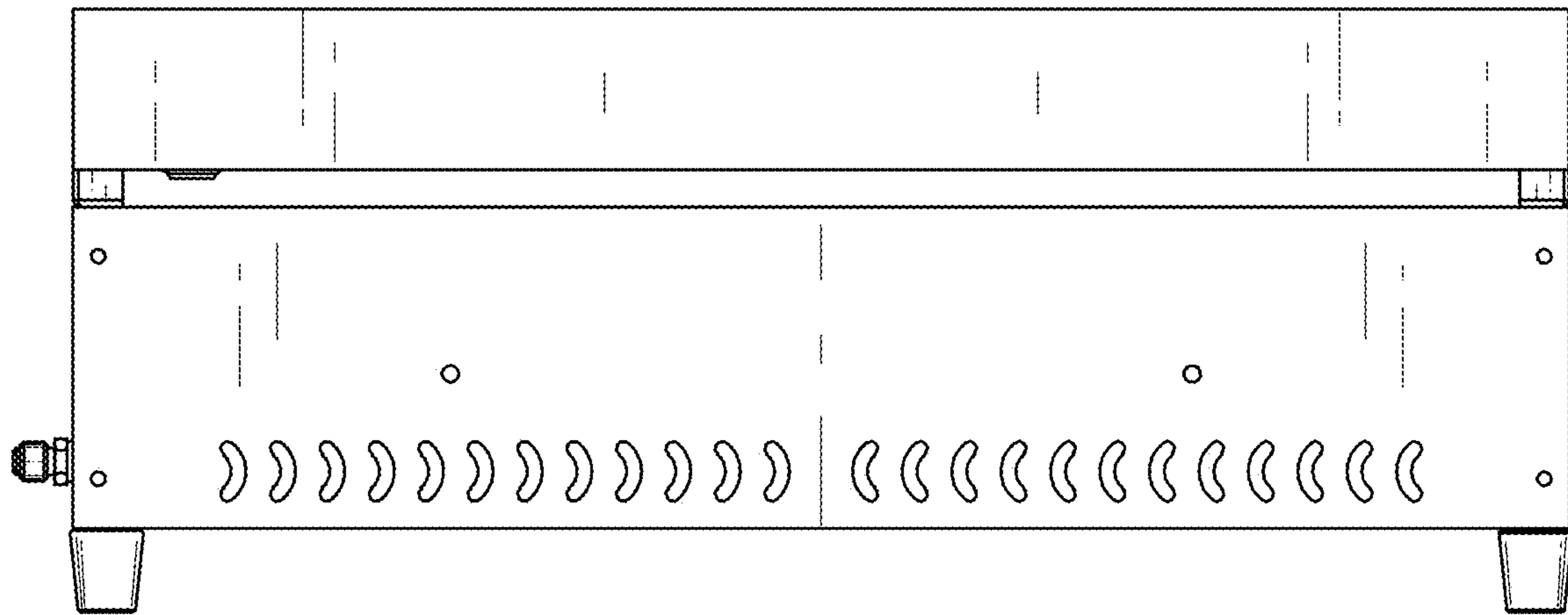


FIG. 18

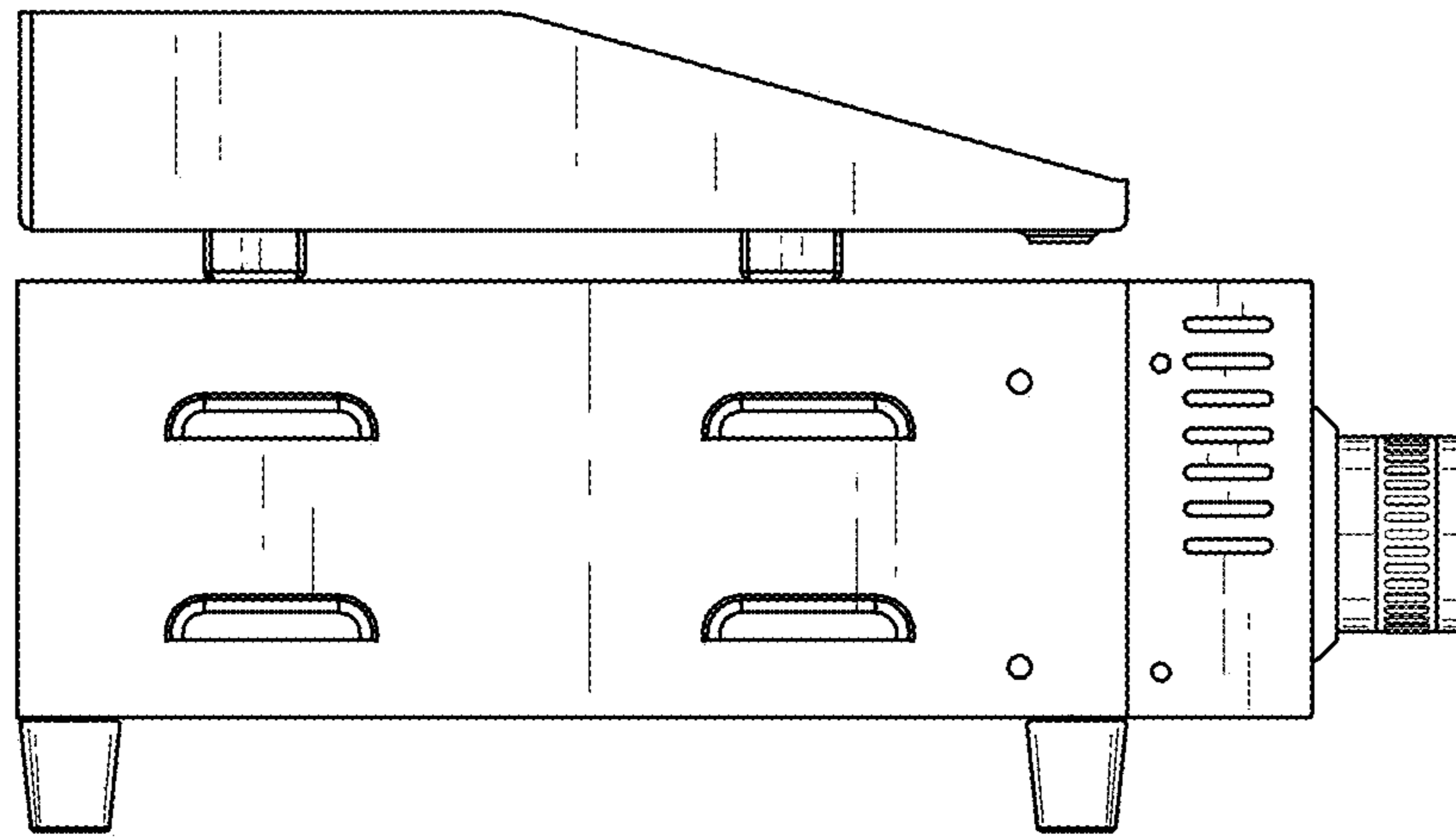


FIG. 19

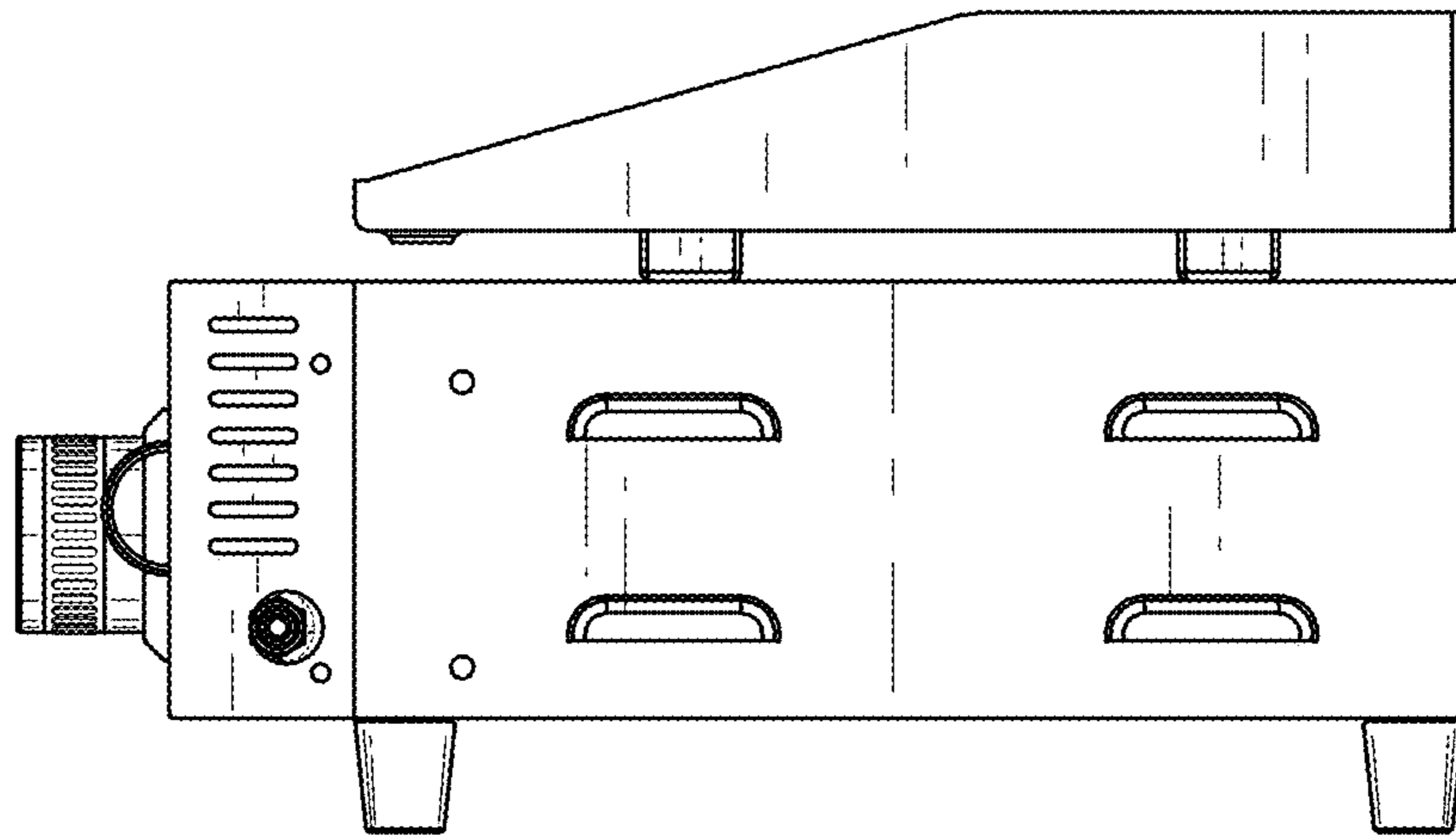


FIG. 20

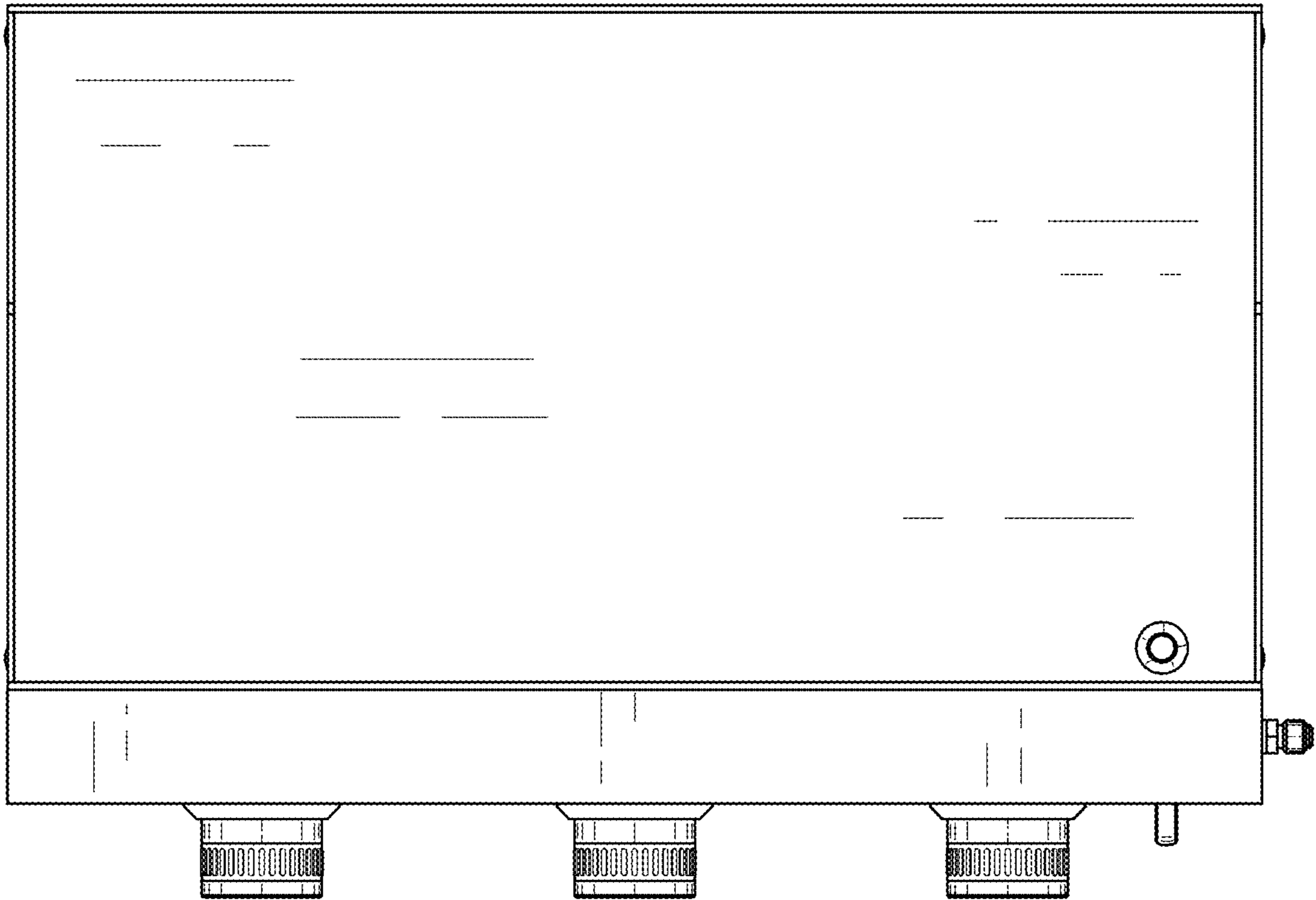


FIG. 21

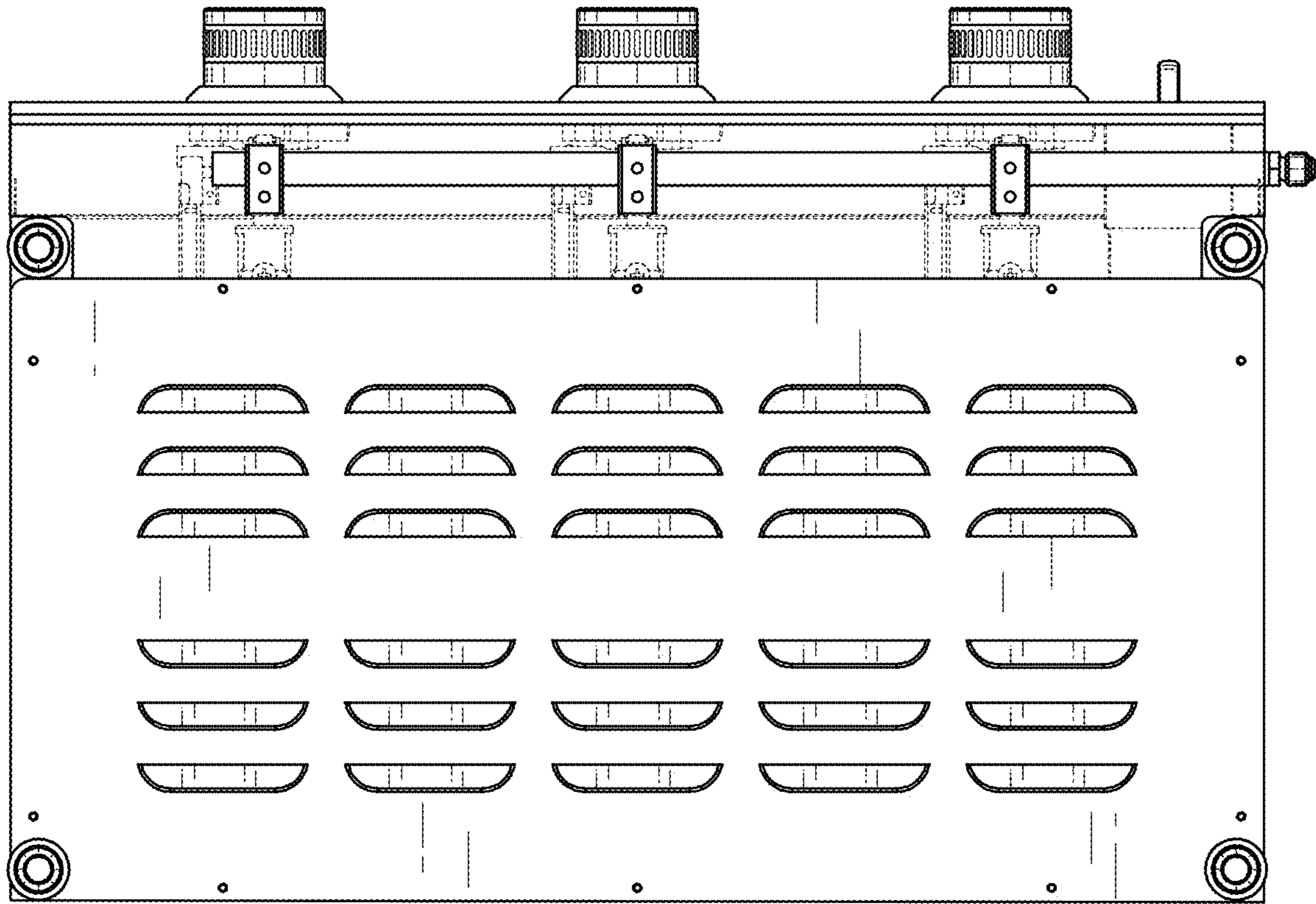


FIG. 22

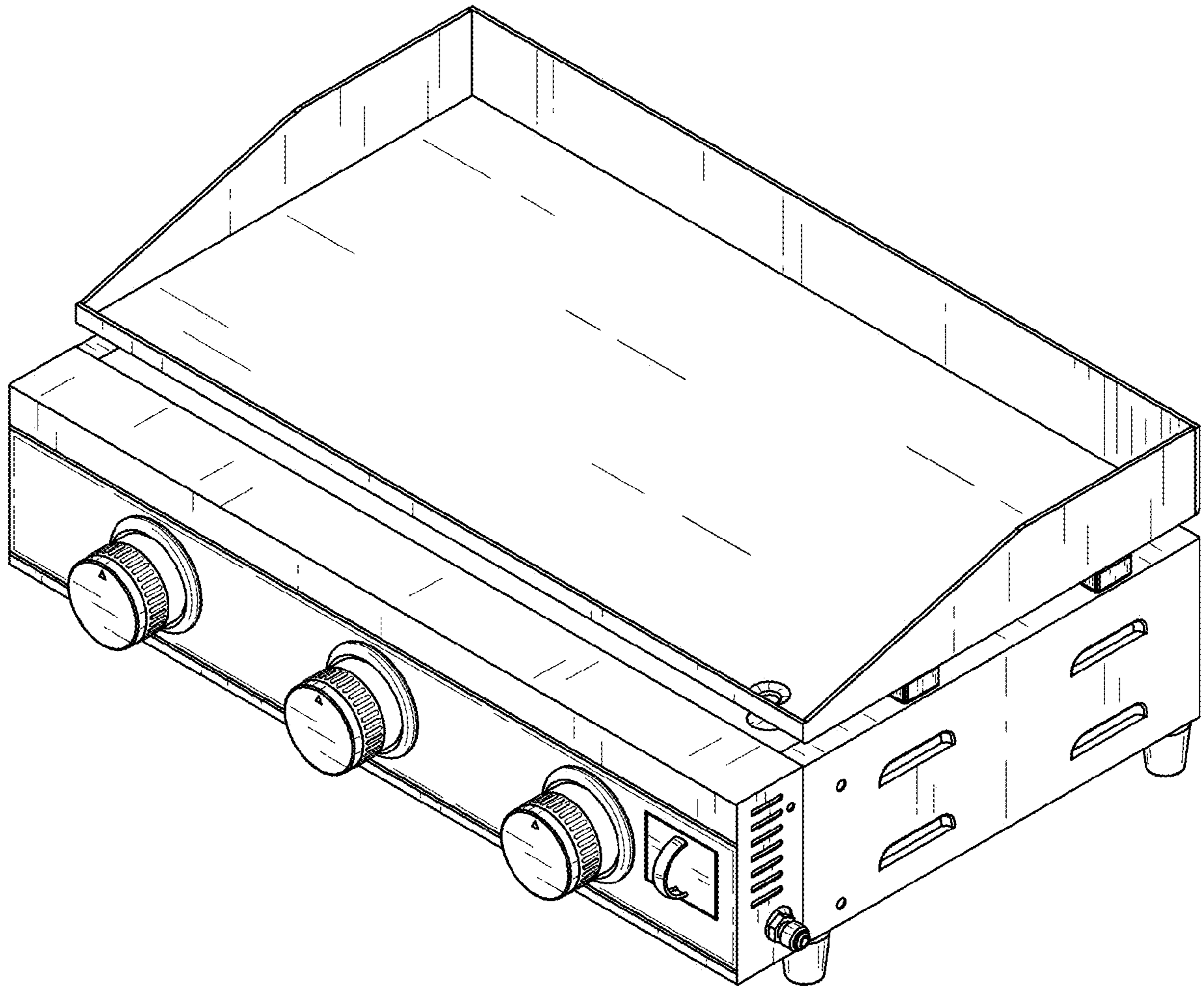


FIG. 23

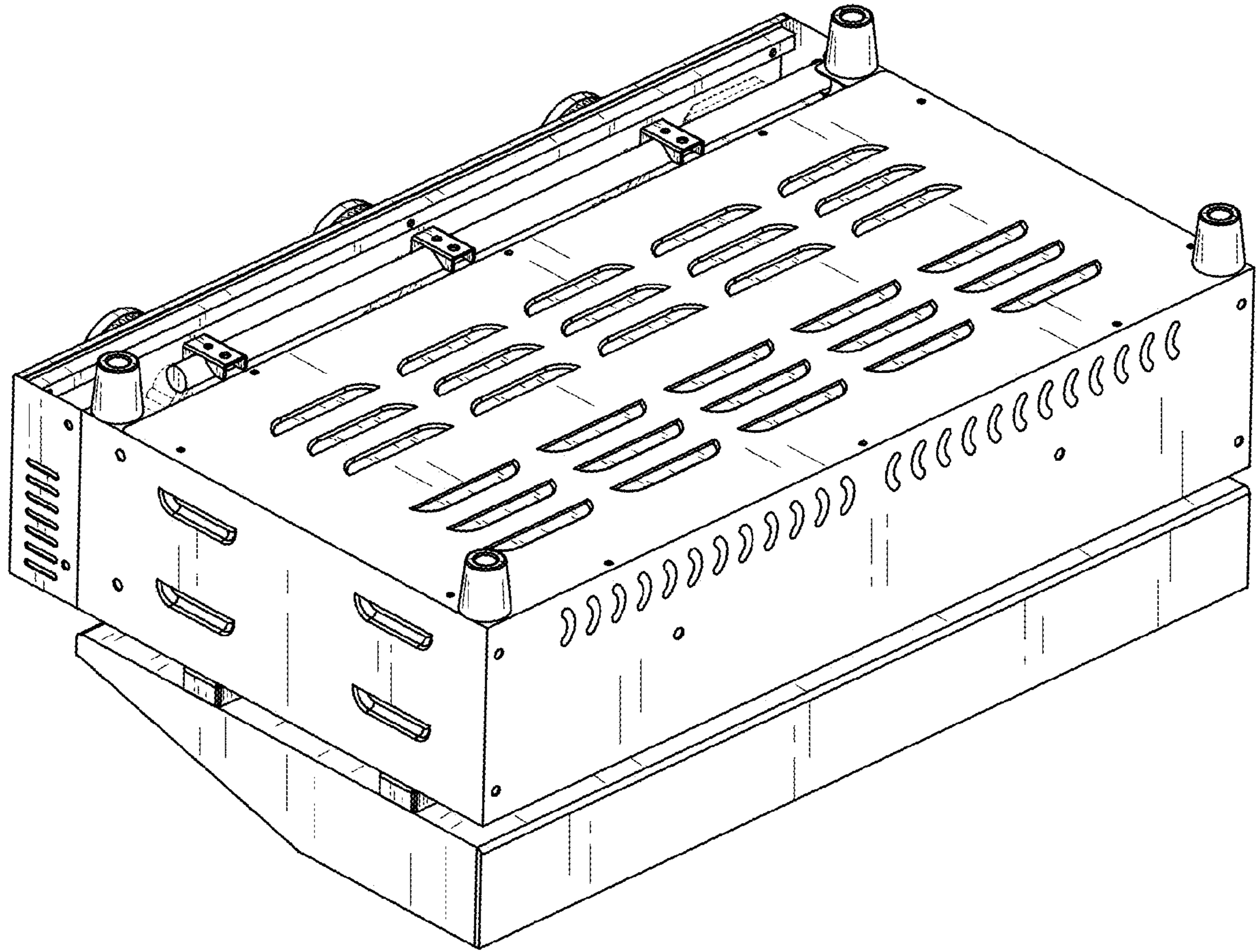


FIG. 24