



US00D940495S

(12) **United States Design Patent**
Huang et al.

(10) **Patent No.:** **US D940,495 S**
(45) **Date of Patent:** **** Jan. 11, 2022**

(54) **BAKEWARE**

(56)

References Cited

(71) Applicant: **ZHONGSHAN LIANSHENG INTELLIGENT TECHNOLOGY CO., LTD.**, Zhongshan (CN)

U.S. PATENT DOCUMENTS

(72) Inventors: **Juehao Huang**, Changsha (CN); **Houjun Huang**, Changsha (CN); **Bufu Li**, Changsha (CN); **Weiwu Man**, Changsha (CN)

D527,941 S *	9/2006	Serra	D7/352
D588,858 S *	3/2009	Tetreault	D7/352
D591,550 S *	5/2009	Lam	D7/337
D622,538 S *	8/2010	Hoare	D7/352
D644,477 S *	9/2011	Burton	D7/362
D714,092 S *	9/2014	Verbrugge	D7/352
D811,155 S *	2/2018	De' Longhi	D7/352
D817,695 S *	5/2018	Liu	D7/352
D824,199 S *	7/2018	Liu	D7/352
D825,976 S *	8/2018	Liang	D7/352
D853,172 S *	7/2019	De' Longhi	D7/352

(Continued)

(73) Assignee: **ZHONGSHAN LIANSHENG INTELLIGENT TECHNOLOGY CO., LTD.**, Zhongshan (CN)

(**) Term: **15 Years**

OTHER PUBLICATIONS

(21) Appl. No.: **29/741,319**

Cuisinart Electric Griddler, Stainless Steel. Date First Available on Amazon.com Nov. 8, 2017. <https://www.amazon.com/Cuisinart-GR-5B-Electric-griddler/dp/B0778XLPB7/ref> (Year: 2017).*

(22) Filed: **Jul. 10, 2020**

(30) **Foreign Application Priority Data**

Primary Examiner — Ricky Pham

Jun. 4, 2020 (CN) 202030276763.5

(51) **LOC (13) Cl.** **07-02**

(57)

CLAIM

(52) **U.S. Cl.**

The ornamental design for a bakeware, as shown and described.

USPC **D7/352**

(58) **Field of Classification Search**

DESCRIPTION

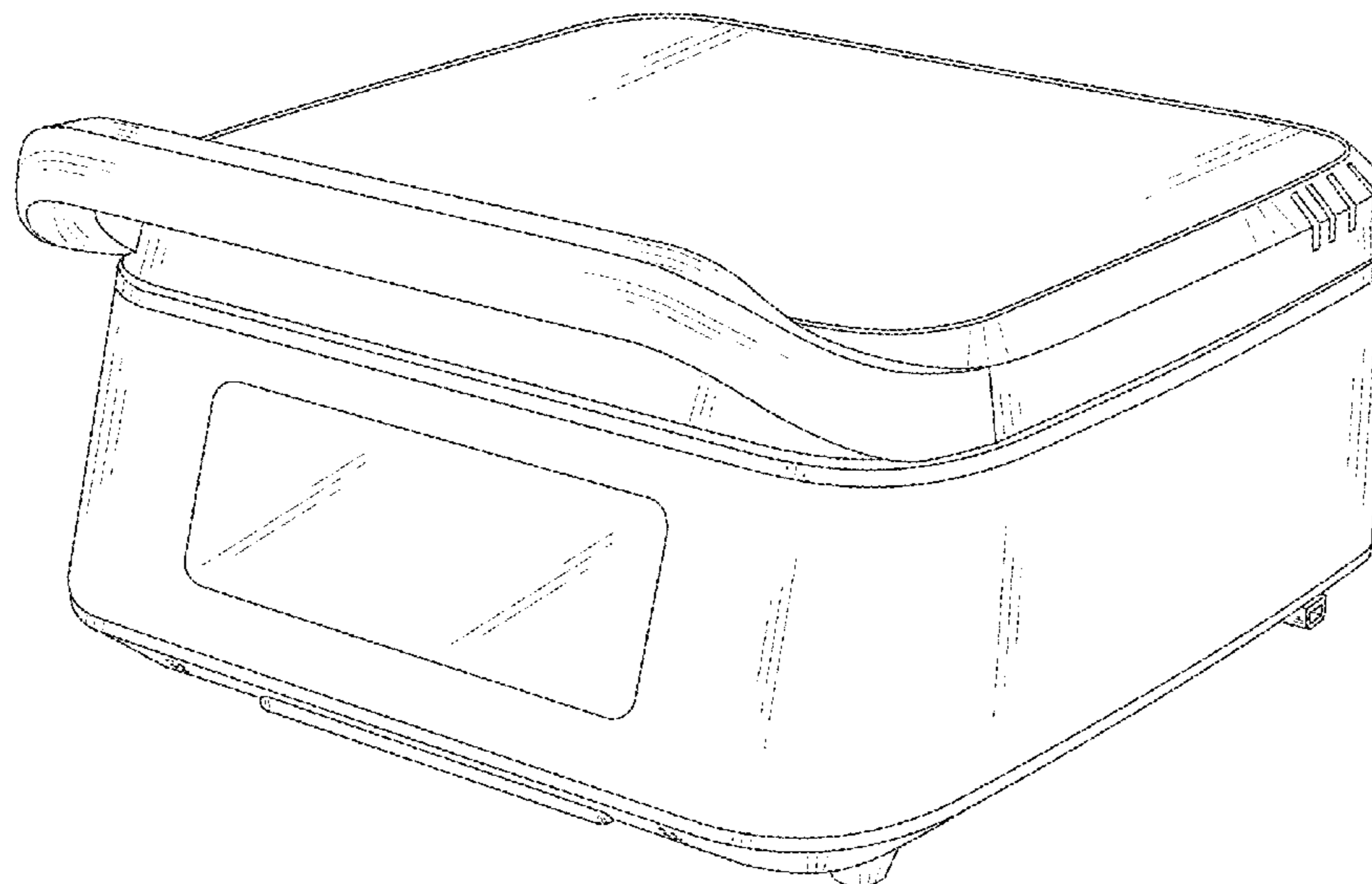
USPC D7/323, 328-330, 337, 347, 352-364, D7/367, 390, 402, 409-411

CPC .. A21B 2/00; A21B 5/023; A47J 27/60; A47J 27/62; A47J 37/00; A47J 37/04; A47J 37/06; A47J 37/067; A47J 37/0605; A47J 37/0611; A47J 37/0623; A47J 37/0629; A47J 37/0676; A47J 37/08; A47J 37/0807; A47J 37/0814; A47J 37/0835; A47J 37/0842; A47J 37/085; A47J 37/0864; A47J 37/0878; A47J 37/0885; A47J 37/0892; A47J 2037/06; A47J 2037/0611; F24C 15/10; F24C 15/101; F24C 15/102; F24C 15/105; H05B 6/02; H05B 6/062

FIG. 1 is a perspective view of the bakeware showing our new design;
FIG. 2 is a front elevational view thereof;
FIG. 3 is a rear elevational view thereof;
FIG. 4 is a left side elevational view thereof;
FIG. 5 is a right side elevational view thereof;
FIG. 6 is a top plan view thereof; and,
FIG. 7 is a bottom plan view thereof.
The broken lines illustrate portions of the bakeware that form no part of the claimed design.

See application file for complete search history.

1 Claim, 7 Drawing Sheets



(56)

References Cited

U.S. PATENT DOCUMENTS

D873,065 S * 1/2020 Sađirosmanođlu D7/352
D884,410 S * 5/2020 Tan D7/352

* cited by examiner

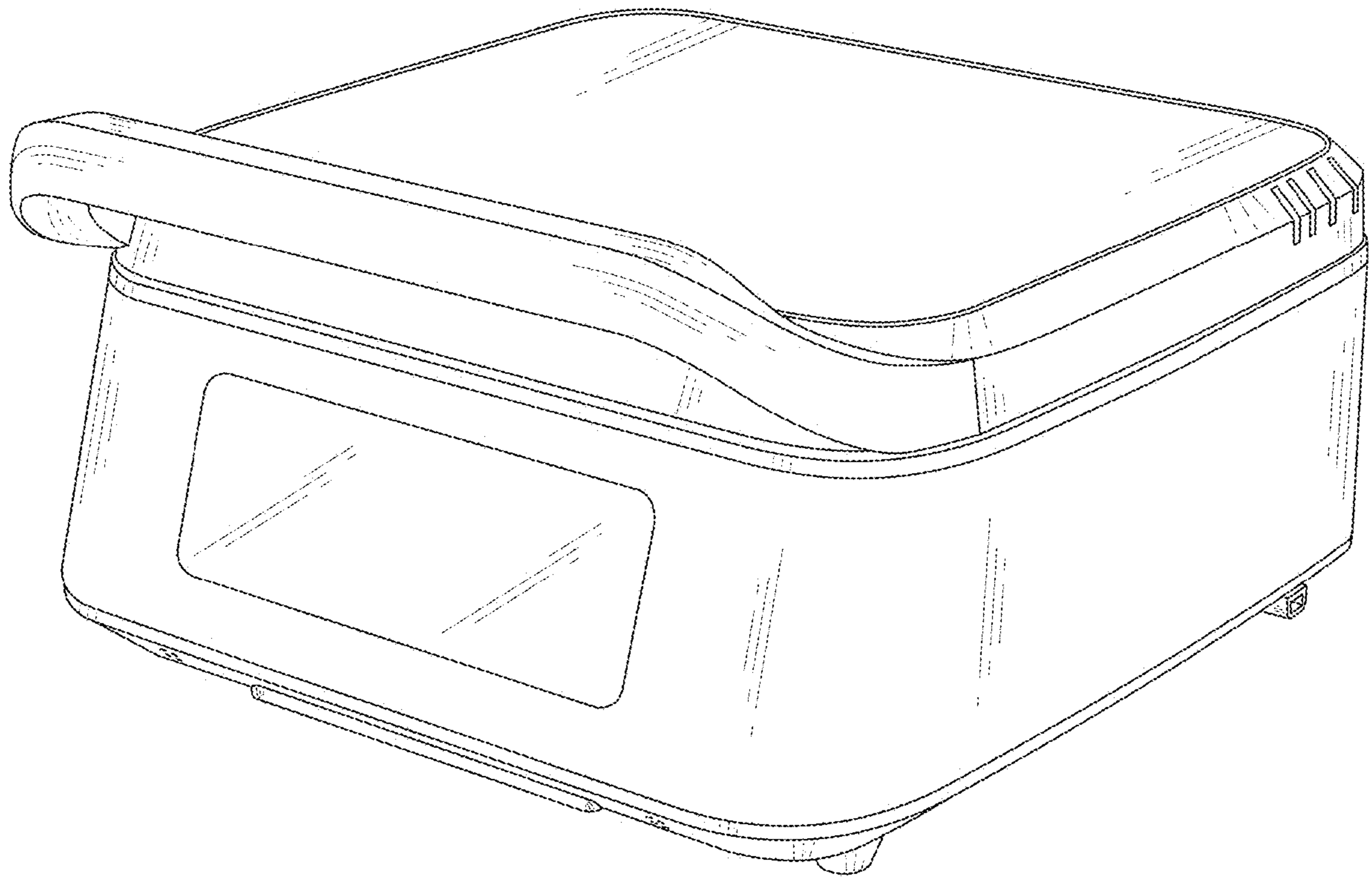


FIG. 1

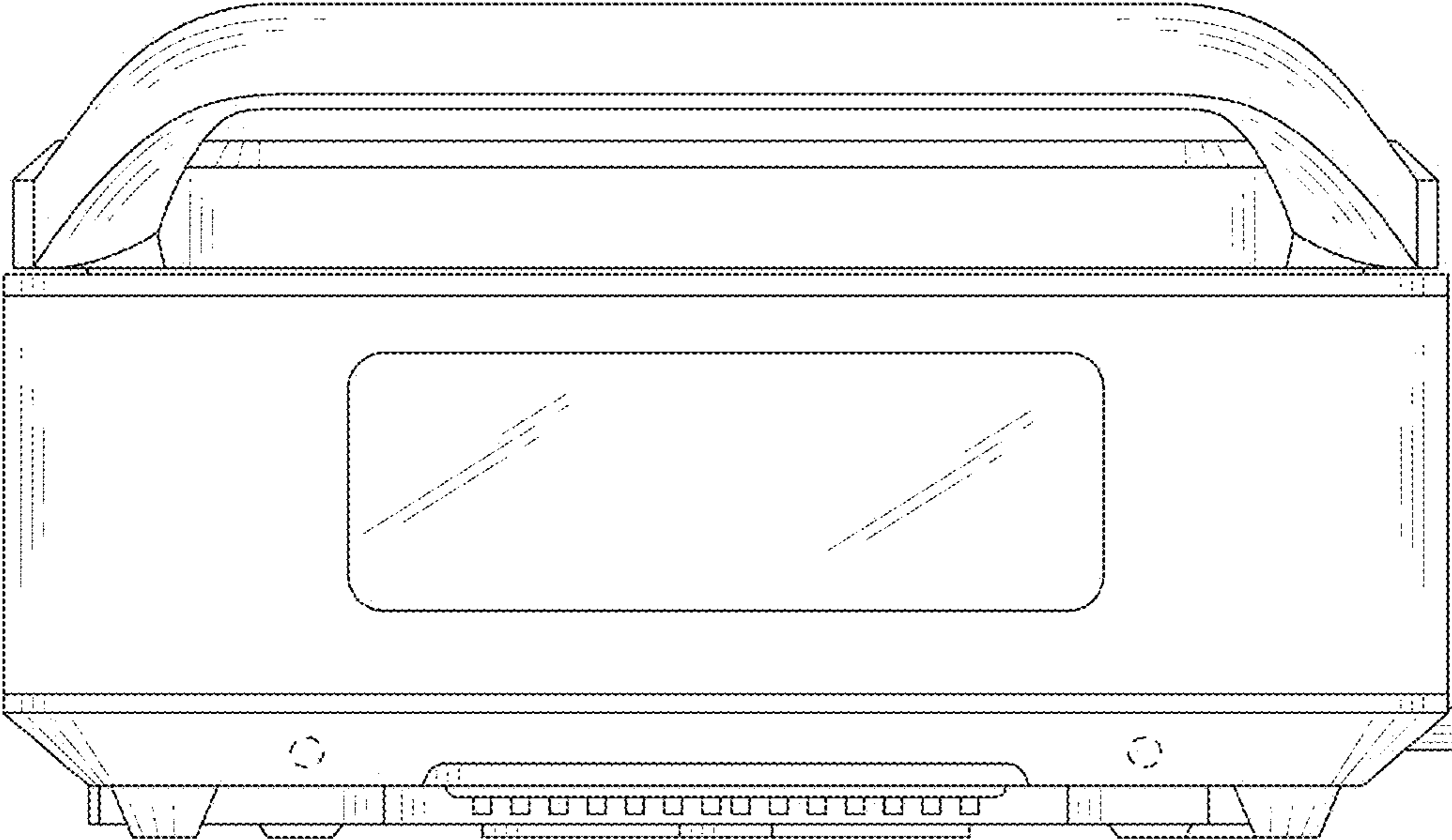


FIG. 2

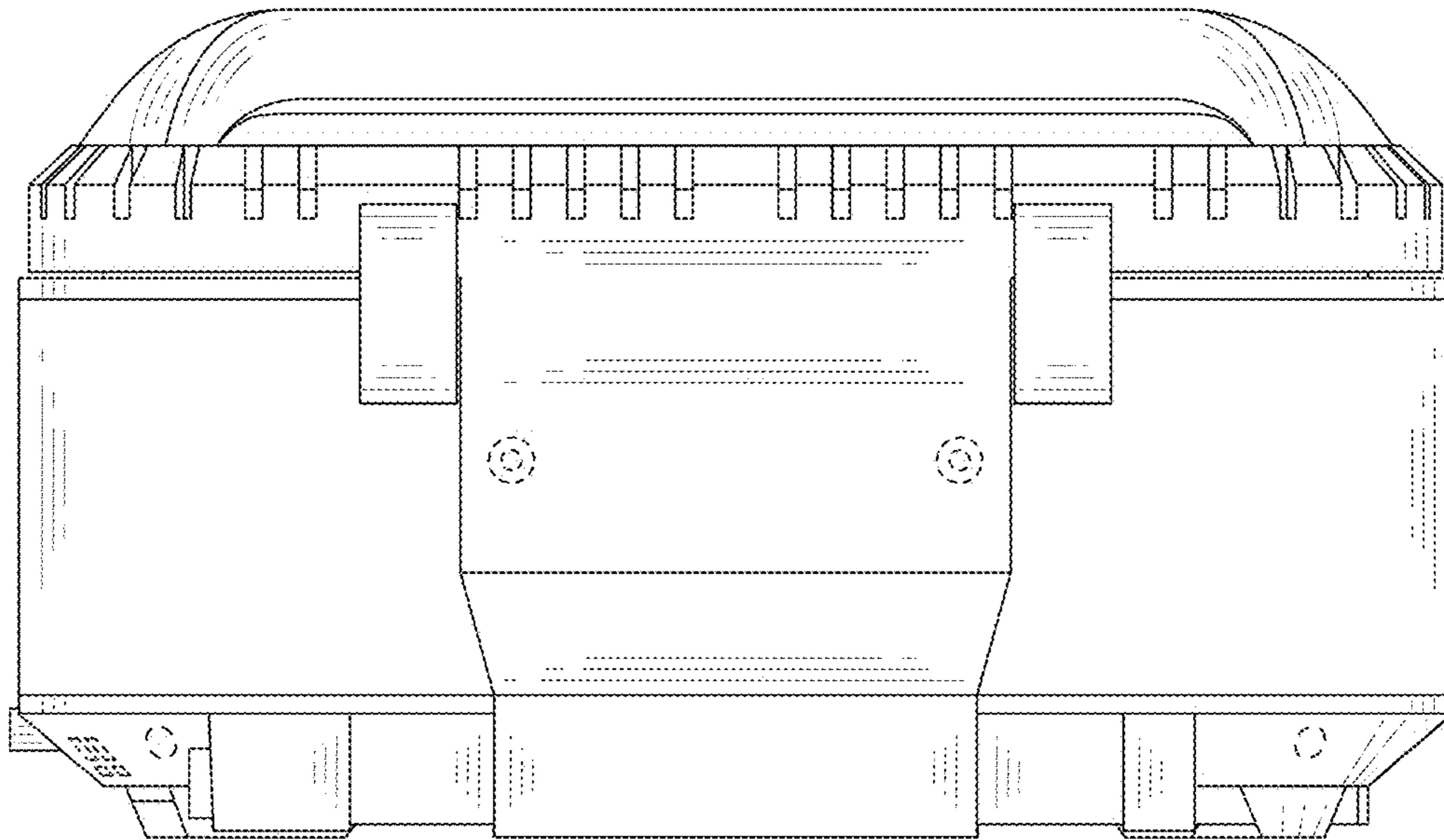


FIG. 3

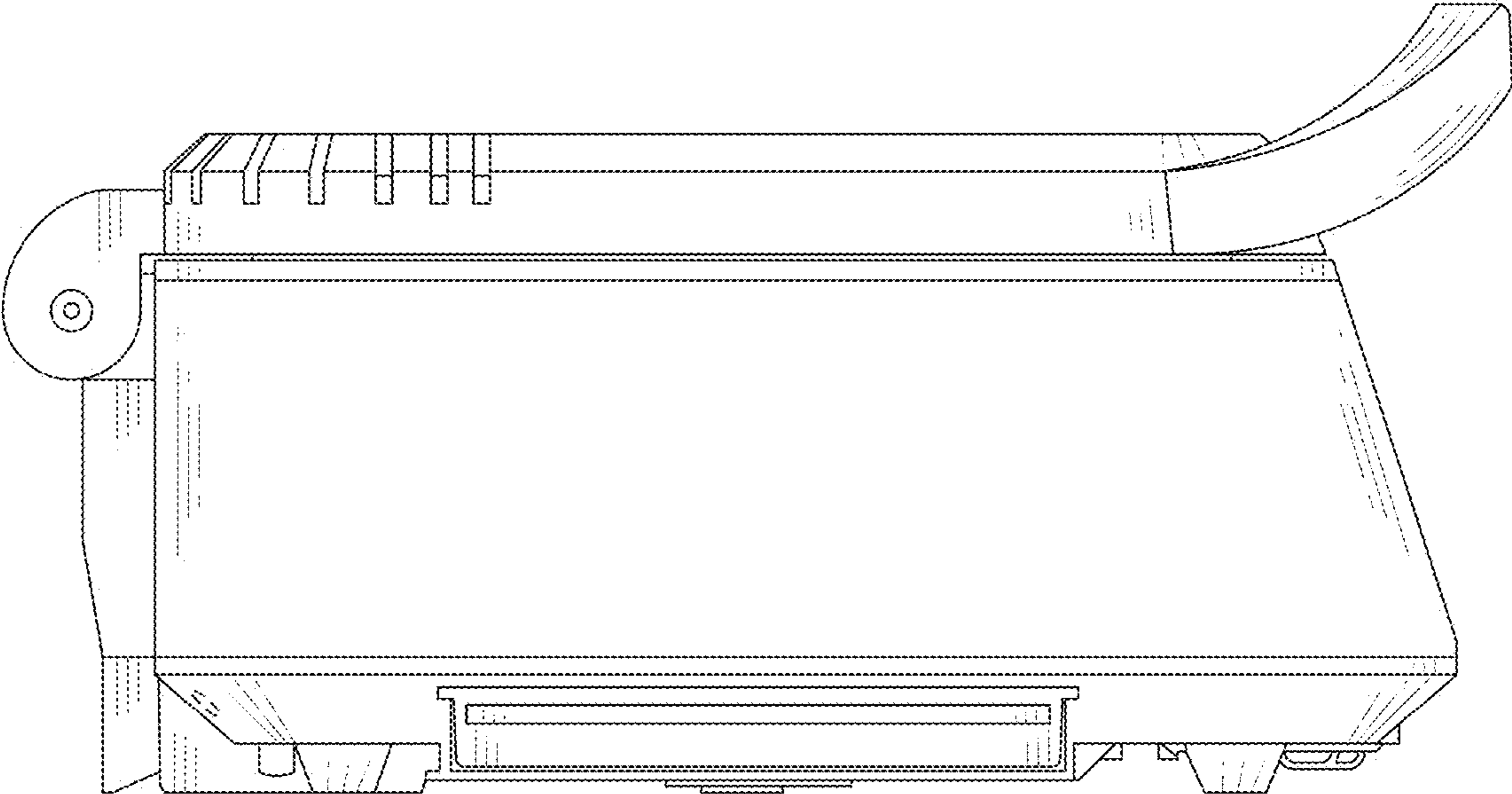


FIG. 4

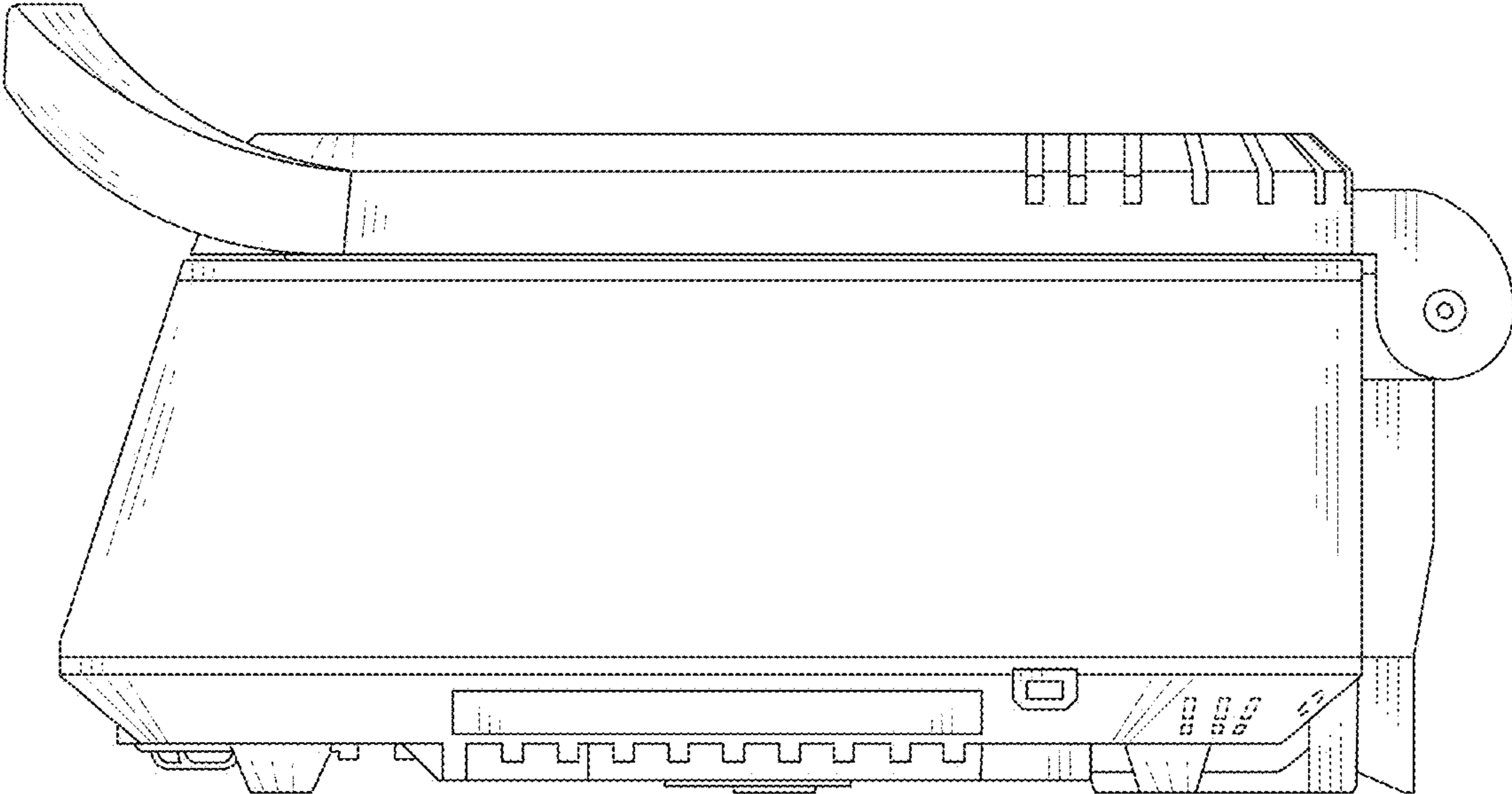


FIG. 5

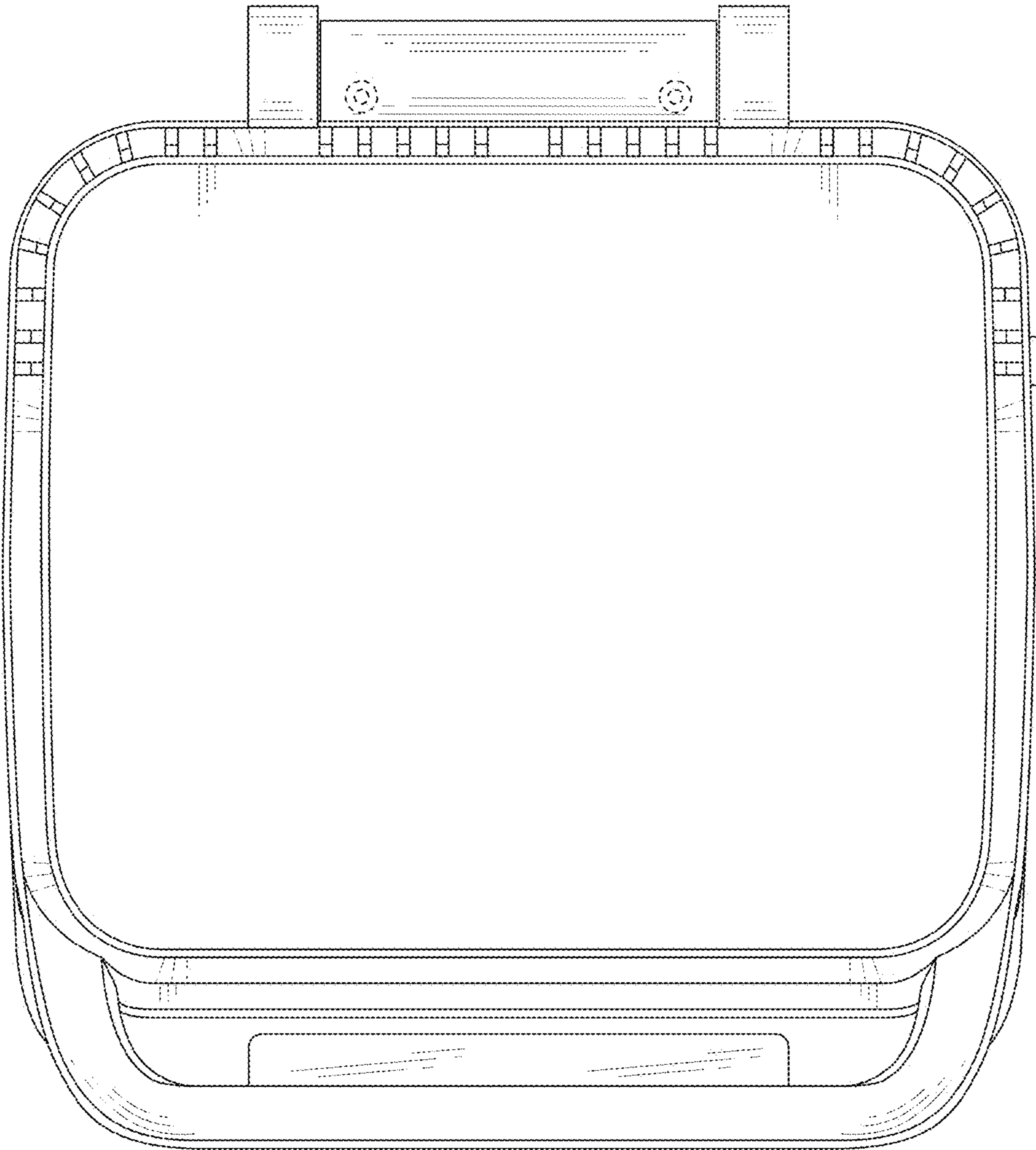


FIG. 6

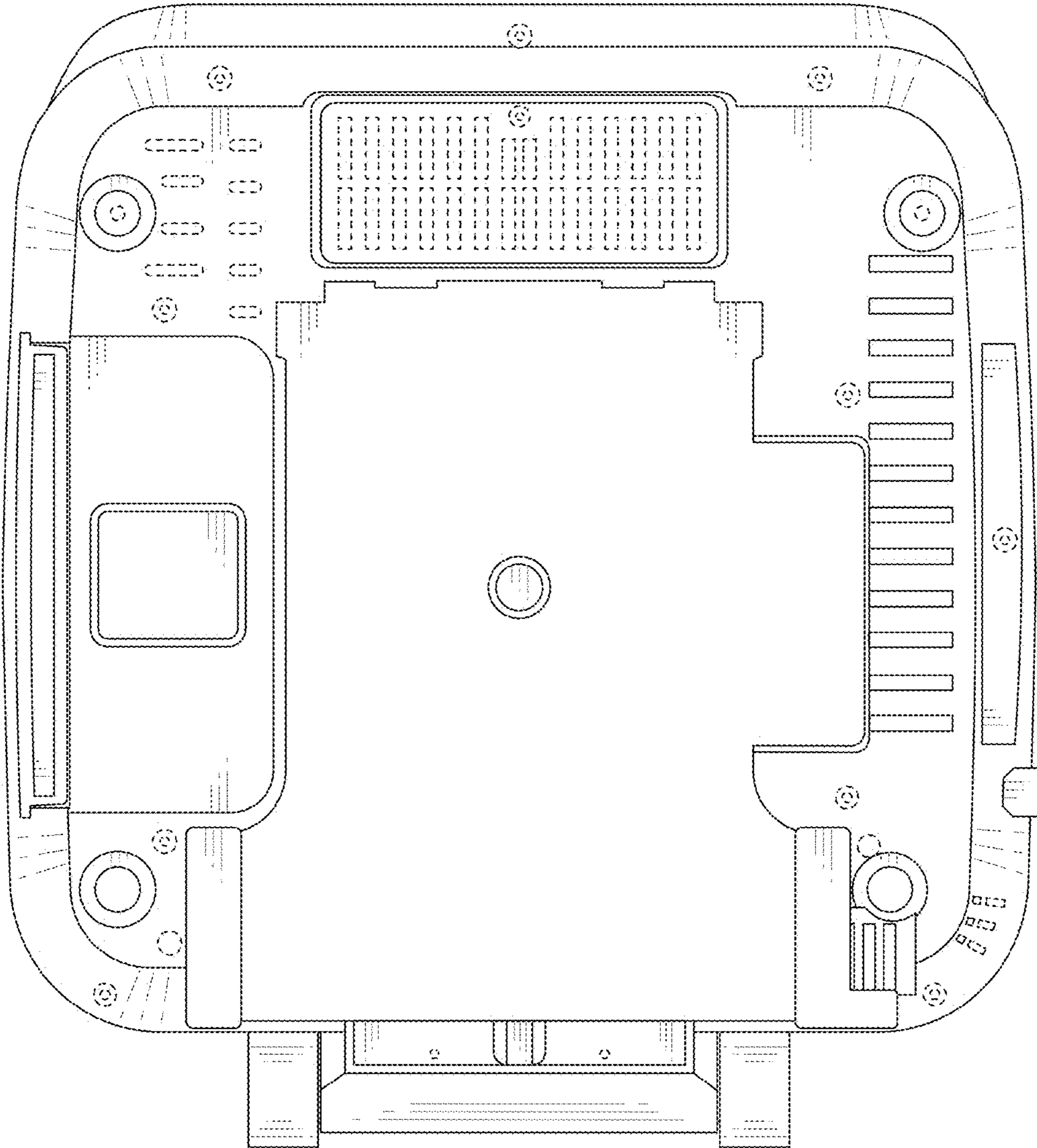


FIG. 7