



US00D940494S

(12) **United States Design Patent**
Ding

(10) **Patent No.:** **US D940,494 S**
(45) **Date of Patent:** **** Jan. 11, 2022**

(54) **WATER FILTER JUG**
(71) Applicant: **SCIEN TOP APPLIANCE CO., LTD.,**
Zhongshan (CN)
(72) Inventor: **Baojun Ding,** Zhongshan (CN)
(73) Assignee: **Scien Top Appliance Co., Ltd.,**
Guangdong (CN)
(**) Term: **15 Years**

D604,088 S * 11/2009 Bursztein D7/317
D668,094 S * 10/2012 Broen D7/319
D675,861 S * 2/2013 Gray D7/318
D677,360 S * 3/2013 Sheppard D23/209
D772,635 S * 11/2016 Zhu D7/319
D798,643 S * 10/2017 Rummel D7/318
D801,100 S * 10/2017 Rummel D7/318
D815,482 S * 4/2018 Bell D7/318
D869,892 S * 12/2019 Zou D7/318
D882,322 S * 4/2020 Anderson D7/317
D883,727 S * 5/2020 Samartgis D7/317

(21) Appl. No.: **29/715,622**
(22) Filed: **Dec. 3, 2019**
(30) **Foreign Application Priority Data**

Aug. 26, 2019 (CN) 201930464724.5

(51) **LOC (13) Cl.** **07-01**
(52) **U.S. Cl.**
USPC **D7/318; D7/316**

(58) **Field of Classification Search**
USPC D7/300, 300.1, 301-303, 312-321, 376,
D7/378, 393-395, 396.1, 396.2, 397-401,
D7/413, 598, 600, 601, 602, 619.1, 622,
D7/629, 709
CPC A45F 3/16; A47G 19/12; A47G 19/127;
A47G 19/14; A47G 19/16; A47G 19/22;
A47G 19/30; A47G 2019/122; A47J
27/21; A47J 27/21008; A47J 27/2105;
A47J 27/21058; A47J 27/21083; A47J
27/21183; A47J 27/21191; A47J 31/005;
A47J 31/0642; A47J 31/54
See application file for complete search history.

(56) **References Cited**
U.S. PATENT DOCUMENTS

D173,455 S * 11/1954 Reinecke D7/317
D546,113 S * 7/2007 Ruoff D23/209

OTHER PUBLICATIONS

Ehm Ultra Premium Alkaline Water Filter Pitcher, first available Jan. 20, 2014, Amazon, [online], [site visited Jun. 2, 2021], Available from internet URL: <https://www.amazon.com/Ultra-Premium-Alkaline-Water-Pitcher/dp/B00HYEIJLW> (Year: 2014).*

(Continued)

Primary Examiner — Mary Ann Calabrese
Assistant Examiner — Natalya M Rapundalo
(74) *Attorney, Agent, or Firm* — Wiggin and Dana LLP;
Gregory S. Rosenblatt; Thomas M. Landman

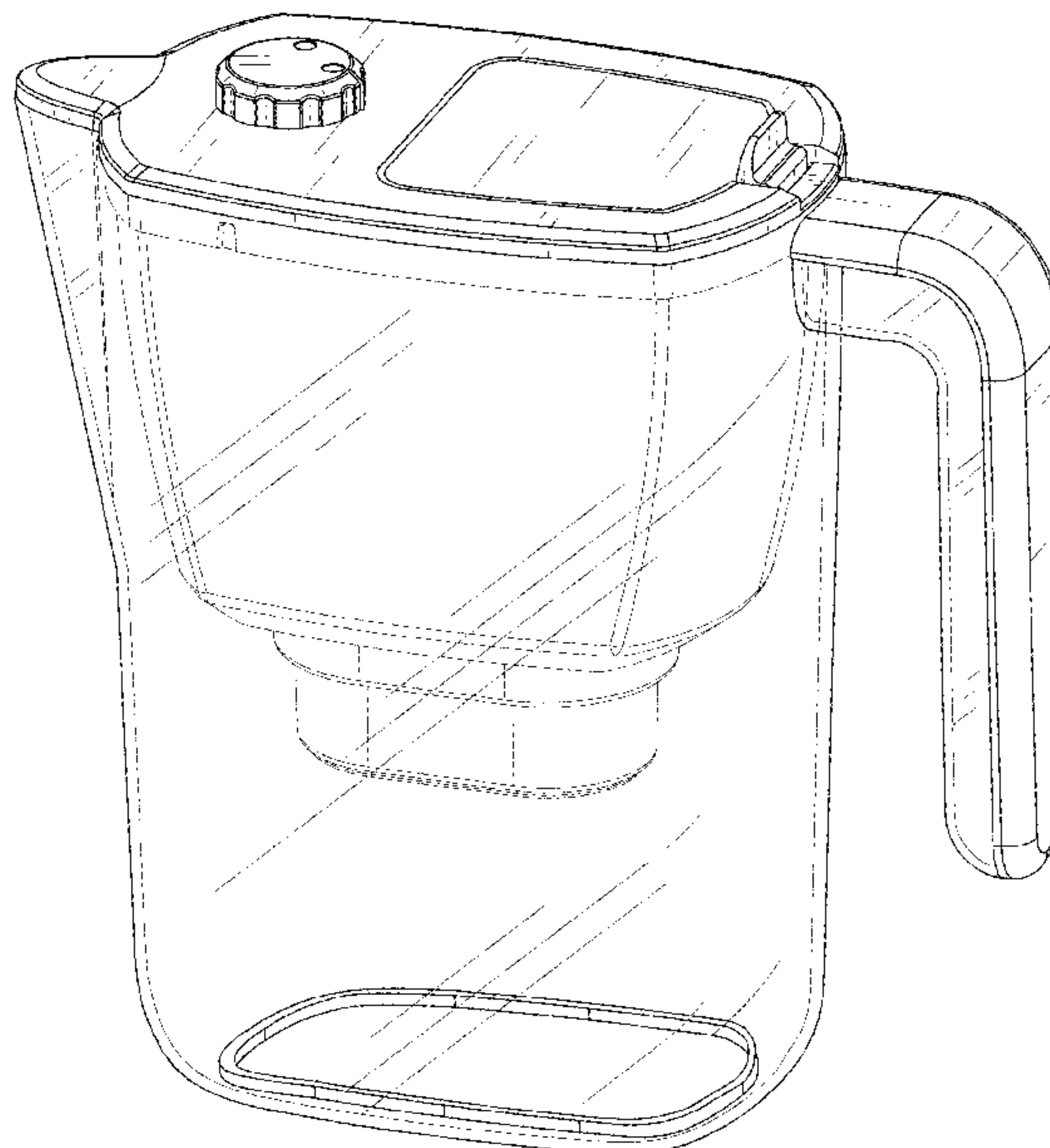
(57) **CLAIM**

I claim the ornamental design for a water filter jug, as shown and described.

DESCRIPTION

FIG. 1 is a front view of a water filter jug showing my new design;
FIG. 2 is a rear view thereof;
FIG. 3 is a left-side view thereof;
FIG. 4 is a right-side view thereof;
FIG. 5 is a top view thereof;
FIG. 6 is a bottom view thereof; and,
FIG. 7 is a front perspective view thereof.

1 Claim, 7 Drawing Sheets



(56)

References Cited

OTHER PUBLICATIONS

Design No. 303944598, Nov. 13, 2015—China National Intellectual Property Administration (CNIPA) Publication Date—Nov. 30, 2016 Owner—Helen of Troy Ltd, Designer—Michael Poindexter et. al. WIPO, available at <https://www3.wipo.int/designdb/en/index.jsp> (Year: 2016).*

Everyday Water Pitcher with Lead Reduction Filter, Alibaba, [online], [site visited May 24, 2021], Available from internet URL: https://cnsientop.en.alibaba.com/product/62578519619-818978567/Everyday_Water_Pitcher_with_Lead_Reduction_Filter.html?spm=a2700.shop_index.111720.10.661d2e85T2uCnb (Year: 2021).*

* cited by examiner

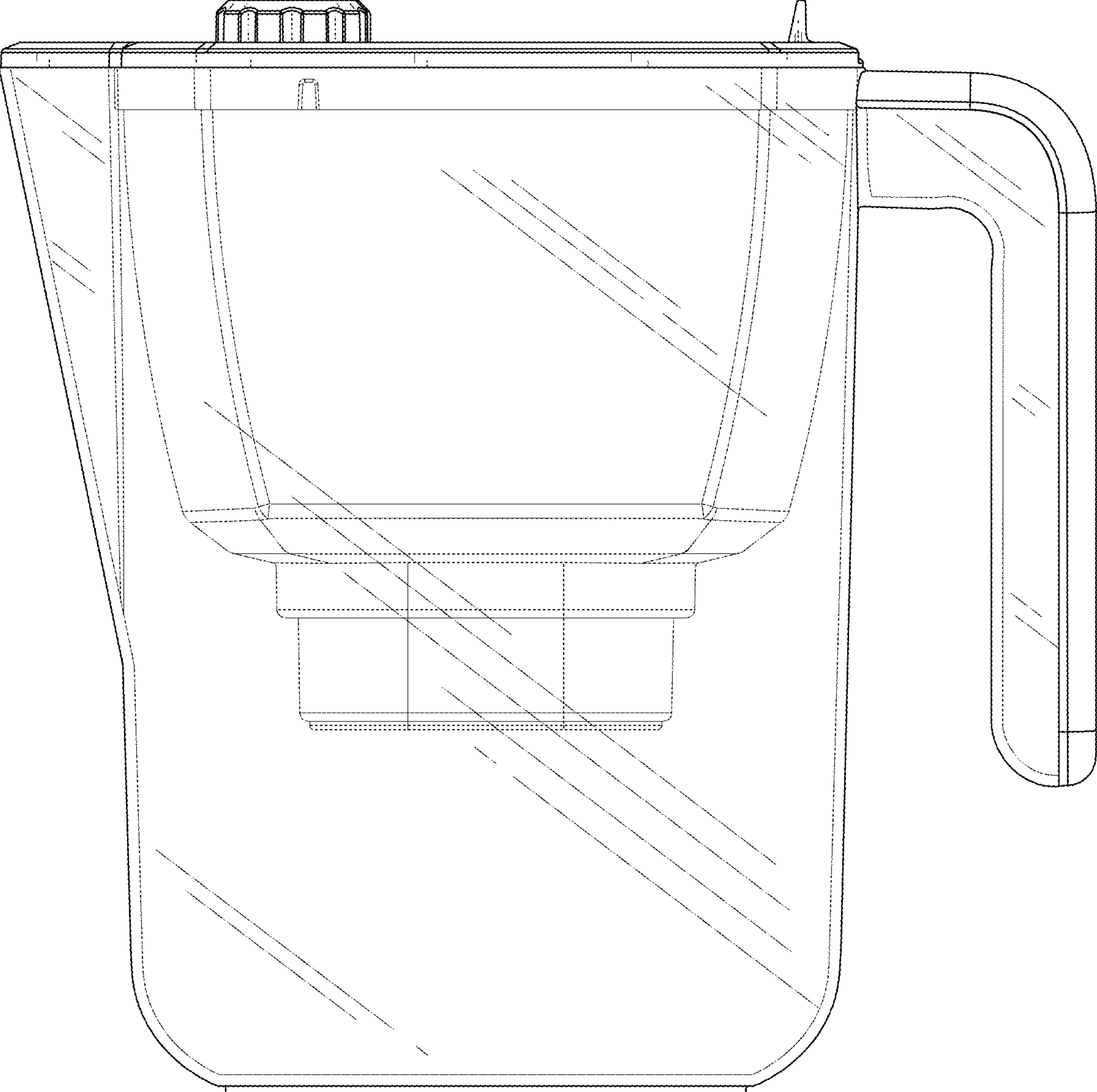


FIG. 1

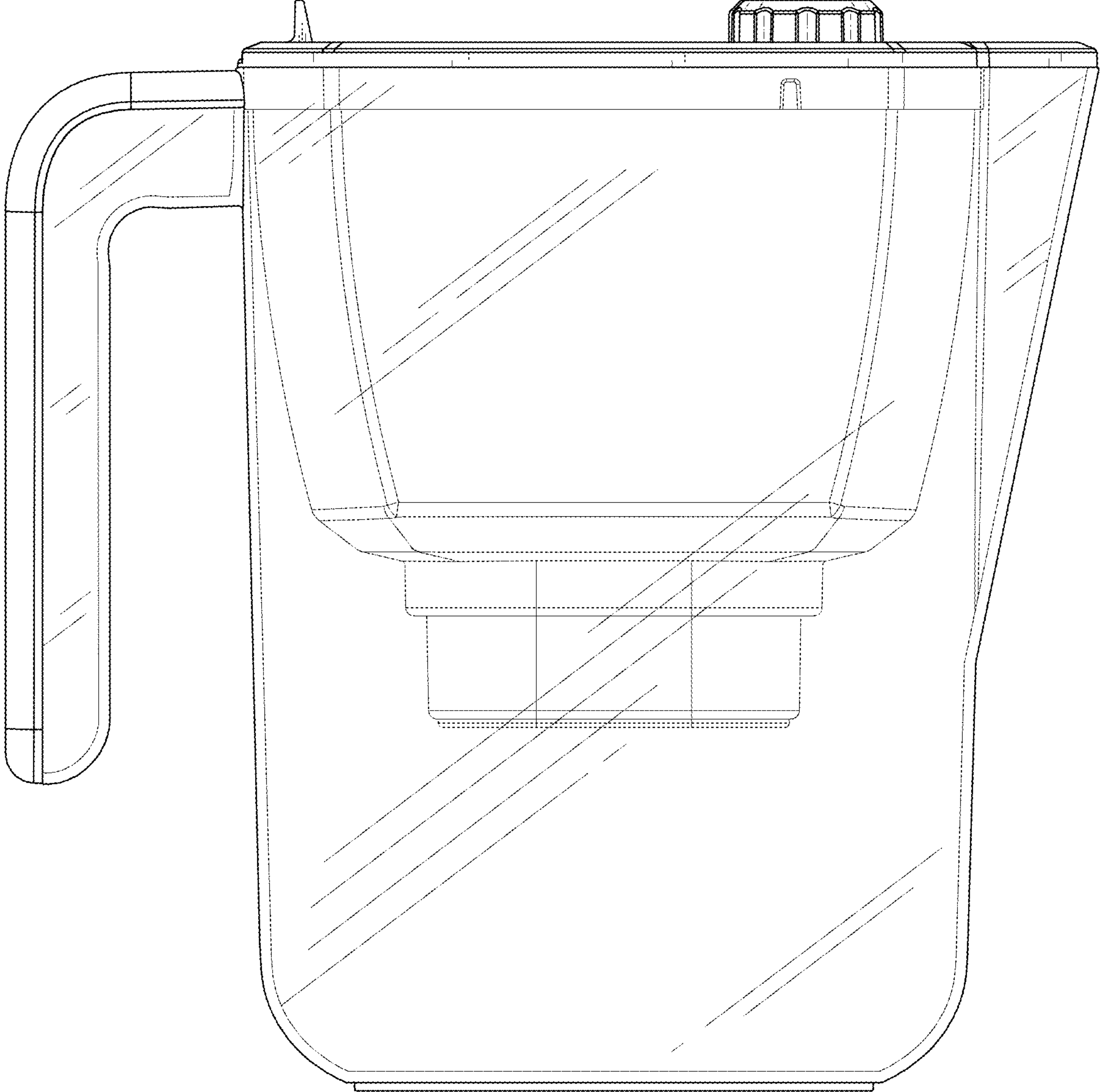


FIG. 2

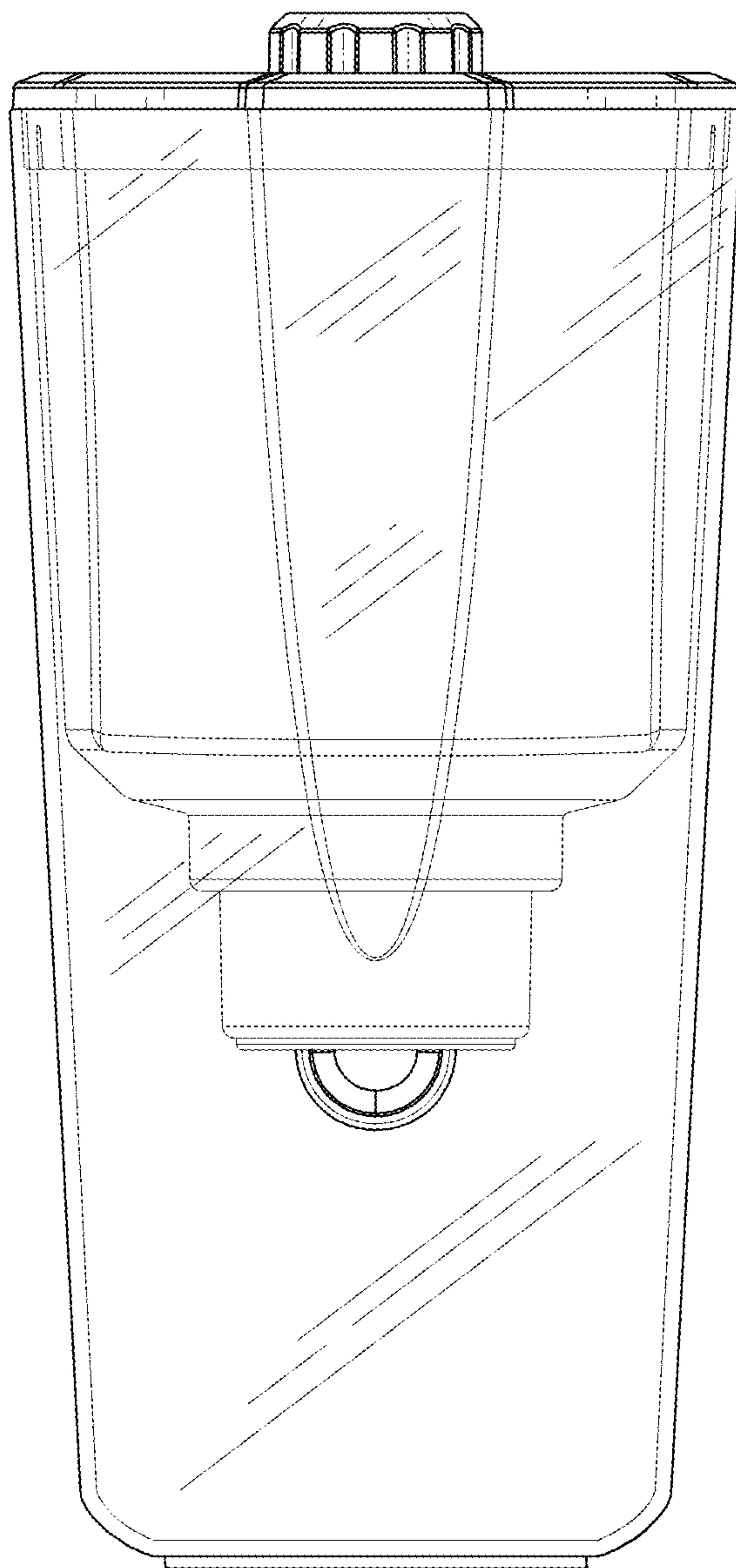


FIG. 3

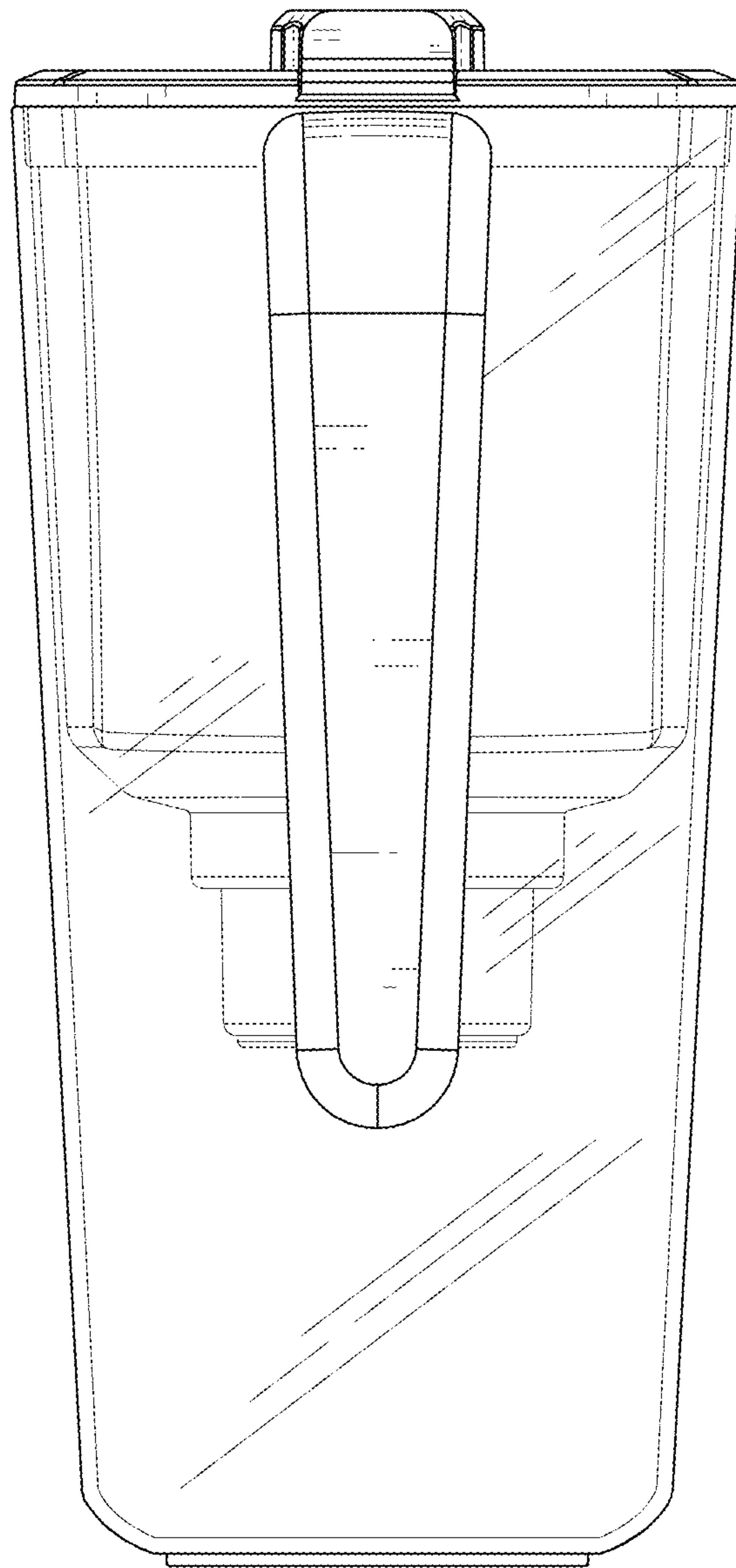


FIG. 4

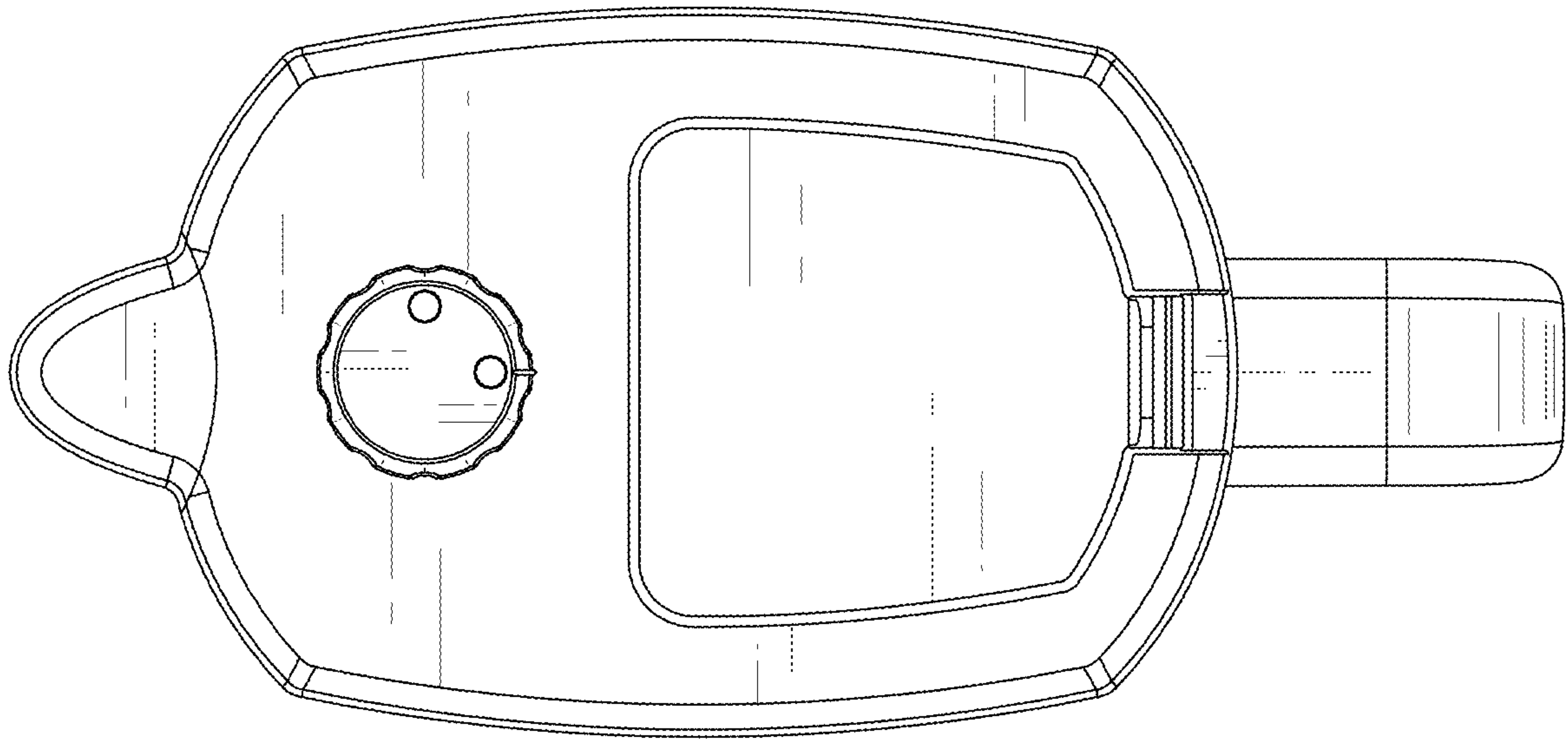


FIG. 5

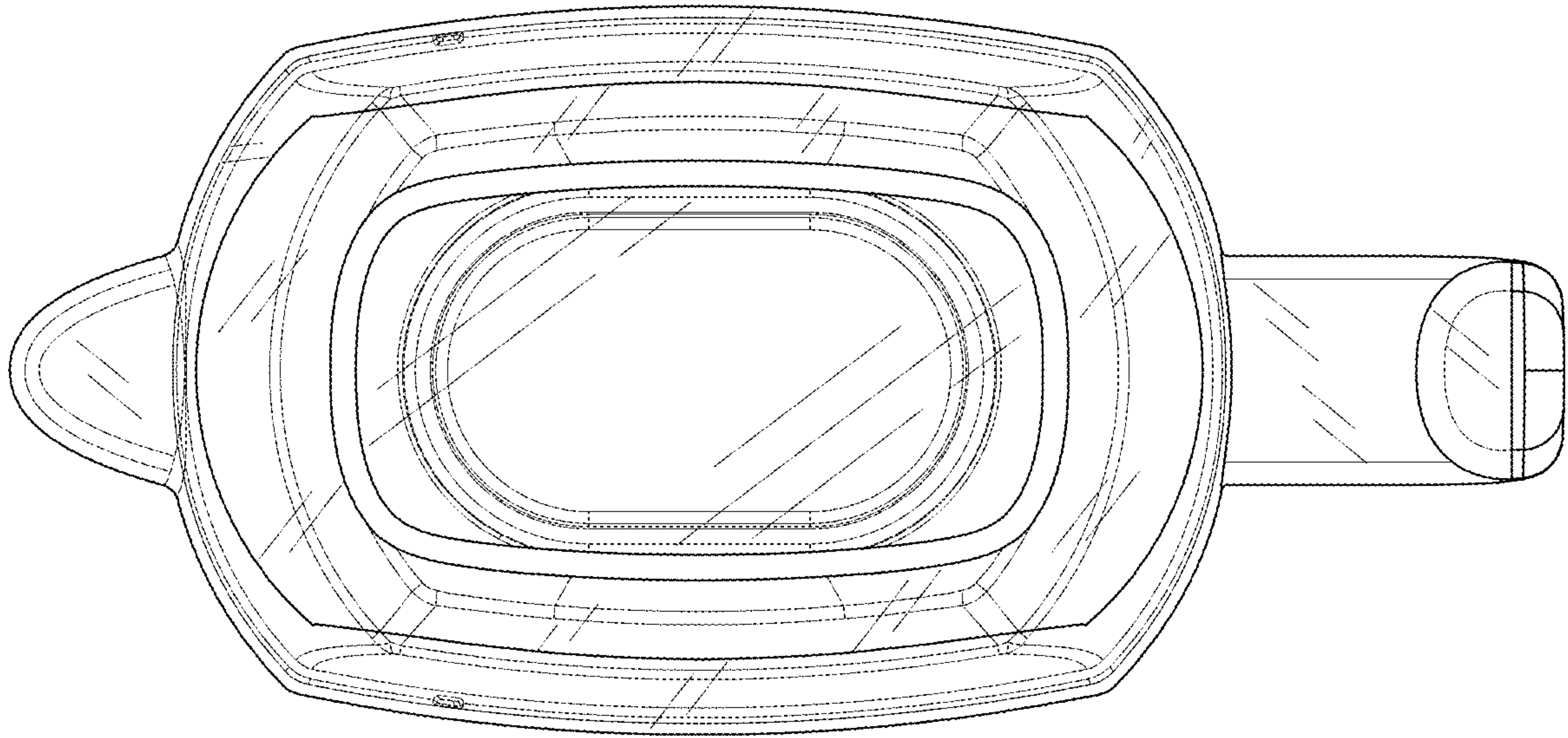


FIG. 6

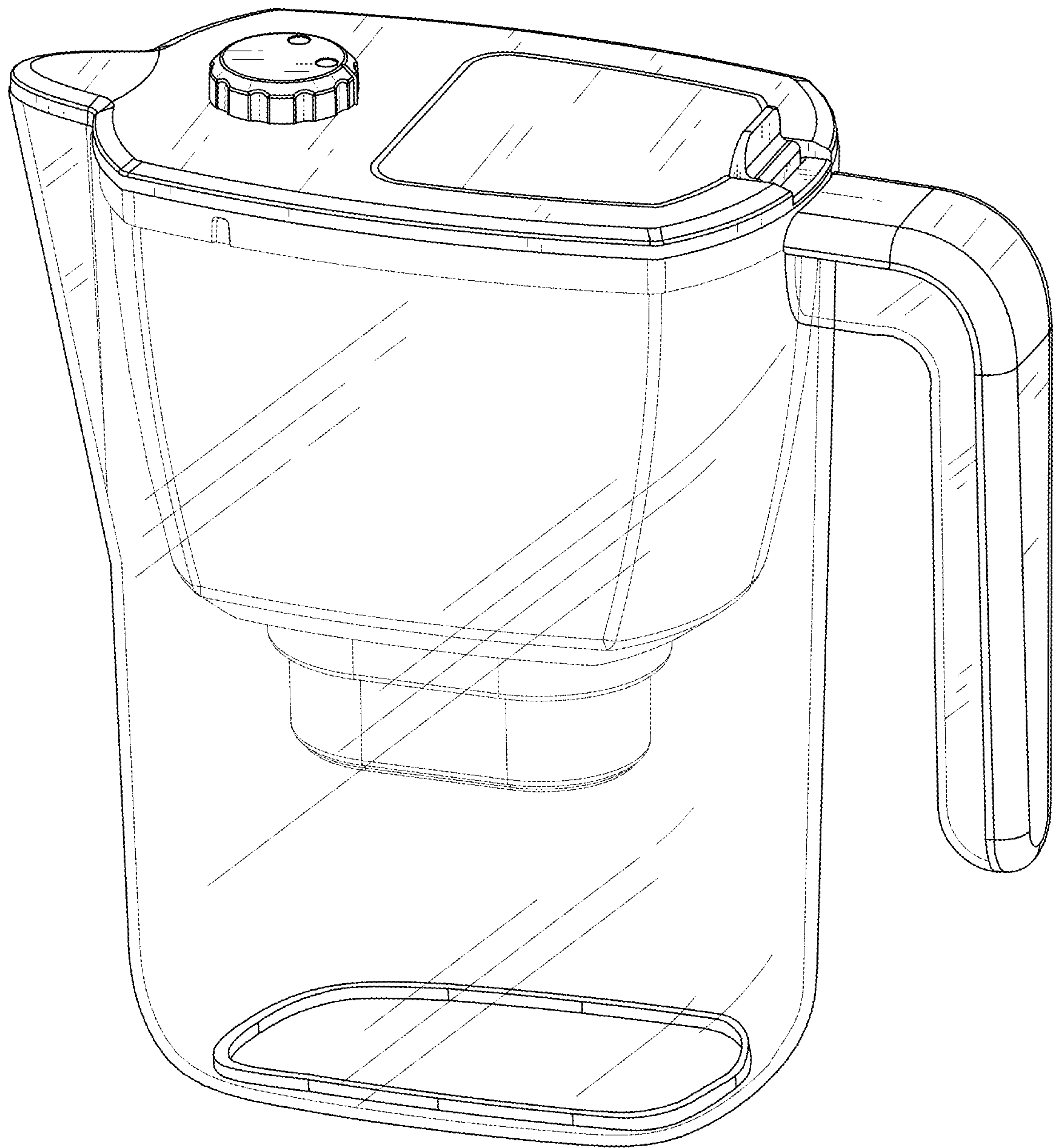


FIG. 7