



US00D940493S

(12) **United States Design Patent**
Qiao

(10) **Patent No.:** **US D940,493 S**
(45) **Date of Patent:** **** Jan. 11, 2022**

(54) **LIQUID STORAGE DEVICE**

(56) **References Cited**

(71) Applicant: **INTRADIN (SHANGHAI)**
MACHINERY CO., LTD., Shanghai
(CN)

(72) Inventor: **Xuetao Qiao**, Shanghai (CN)

(73) Assignee: **INTRADIN (SHANGHAI)**
MACHINERY CO., LTD., Shanghai
(CN)

(**) Term: **15 Years**

(21) Appl. No.: **29/706,884**

(22) Filed: **Sep. 24, 2019**

(51) **LOC (13) Cl.** **09-02**

(52) **U.S. Cl.**
USPC **D7/313; D34/39**

(58) **Field of Classification Search**
USPC D7/300–322, 378, 397–400, 602, 603,
D7/700; D9/417, 447, 524–526, 530,
D9/572, 575, 633; D15/81, 82; D20/1;
D23/201, 205, 209; D24/216, 220, 224;
D30/121, 132; D34/39; 99/275, 276
CPC A47J 31/00; A47J 31/007; A47J 31/057;
A47J 31/10; A47J 31/3676; A47J 31/40;
A47J 31/402; A47J 31/404; A47J 31/41;
A47J 31/4482; A47J 31/4489; A47J
43/042; A47J 43/27; A47J 2043/04454;
B67D 1/00; B67D 1/0004; B67D 1/0021;
B67D 1/0078; B67D 1/0801; B67D
1/0872; B67D 1/1252; B67D 2001/0087;
B67D 2001/0098; B67D 2001/0822;
B67D 3/0032; B67D 3/0035; B67D 7/82;
B67D 7/84; C02F 1/002; C02F 1/003;
C12C 11/00; C12C 11/006; C12C 13/10
See application file for complete search history.

U.S. PATENT DOCUMENTS

D92,986 S *	8/1934	Stilwell	D7/301
D275,924 S *	10/1984	Andrews, Jr.	D7/301
D474,365 S *	5/2003	Valentino	D7/300
D497,283 S *	10/2004	Groombridge	D7/306
D531,444 S *	11/2006	Ohashi	D7/306
D551,895 S *	10/2007	Allen	D34/39
D558,950 S *	1/2008	Brans	D34/39
D615,340 S *	5/2010	Taggart	D7/313
D623,887 S *	9/2010	Kusch	D7/313
D645,287 S *	9/2011	Kusch	D7/306

(Continued)

OTHER PUBLICATIONS

Design No. 305200931, Jun. 7, 2019—China National International Property Administration (CNIPA) Publication Date—Jun. 7, 2019
Owner—Ningbo golden wheat Equipment Manufacturing Co,
Designer—Zhu Renxi WIPO, available at <https://www3.wipo.int/designdb/en/index.jsp> (Year: 2019).*

(Continued)

Primary Examiner — Mary Ann Calabrese
Assistant Examiner — Natalya M Rapundalo

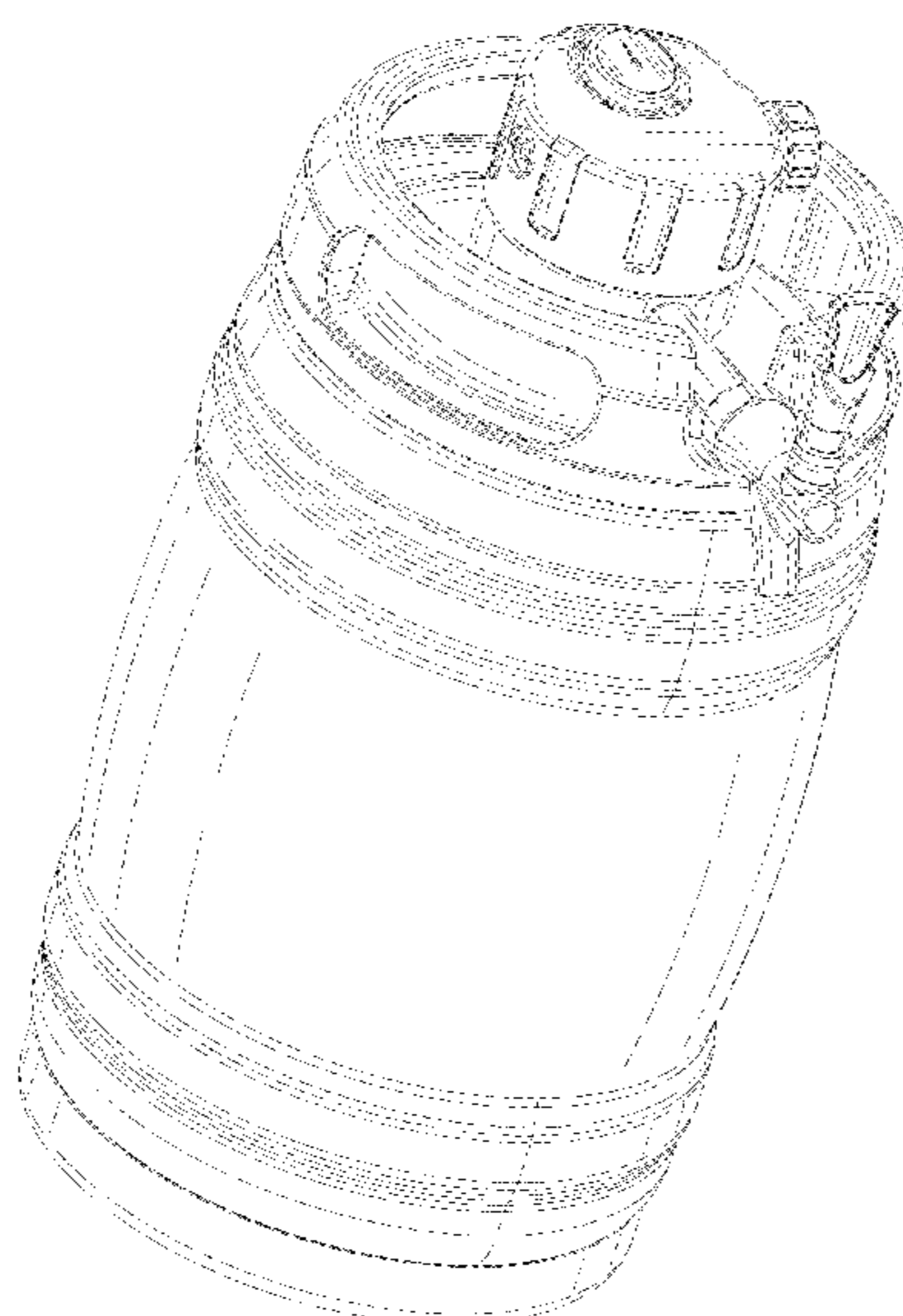
(57) **CLAIM**

The ornamental design for a liquid storage device, as shown and described.

DESCRIPTION

FIG. 1 is a perspective view of a liquid storage device showing my new design;
FIG. 2 is a front elevation view thereof;
FIG. 3 is a back elevation view thereof;
FIG. 4 is a left side view thereof;
FIG. 5 is a right side view thereof;
FIG. 6 is a top plan view thereof; and,
FIG. 7 is a bottom plan view thereof.
The broken lines in the drawing depict environmental subject matter only and form no part of the claimed design.

1 Claim, 7 Drawing Sheets



(56)

References Cited

U.S. PATENT DOCUMENTS

D668,499 S * 10/2012 Malinski D7/313
D716,094 S * 10/2014 Wang D7/306
8,870,036 B2 * 10/2014 Kulkarni B67D 1/0082
222/394
D730,673 S * 6/2015 Harris D7/306
D731,225 S * 6/2015 Peterson D7/306
D836,978 S * 1/2019 Sonnichsen D7/397
2021/0094817 A1 * 4/2021 Qiao B67D 1/0801

OTHER PUBLICATIONS

Mini Keg, Northern Brewer, [online], [site visited Aug. 30, 2021], Available from internet URL: <https://www.northernbrewer.com/products/mini-keg> (Year: 2021).*

SuperHandy Mini-Keg, first available Jun. 1, 2020, Amazon UK, [online], [site visited Aug. 20, 2021], Available from internet URL: <https://www.amazon.co.uk/SuperHandy-Stainless-Insulated-Dispenser-Automatic/dp/B0815BV3DK> (Year: 2020).*

Wholesale NutriChef Double Walled System, [online], [site visited Aug. 30, 2021] Available from internet URL: <https://supplyleader.com/product/NutriChef-Double-Walled-System-64oz-Stainless-Steel-Growler-Tap-Portable-Mini-Keg-Dispenser-Kegeator-Kit-w-Co2-Pressure-Regulator-for-Craft-Beer-Draft-Homebrew-PKBRT99/B08CBGBK61> (Year: 2021).*

* cited by examiner

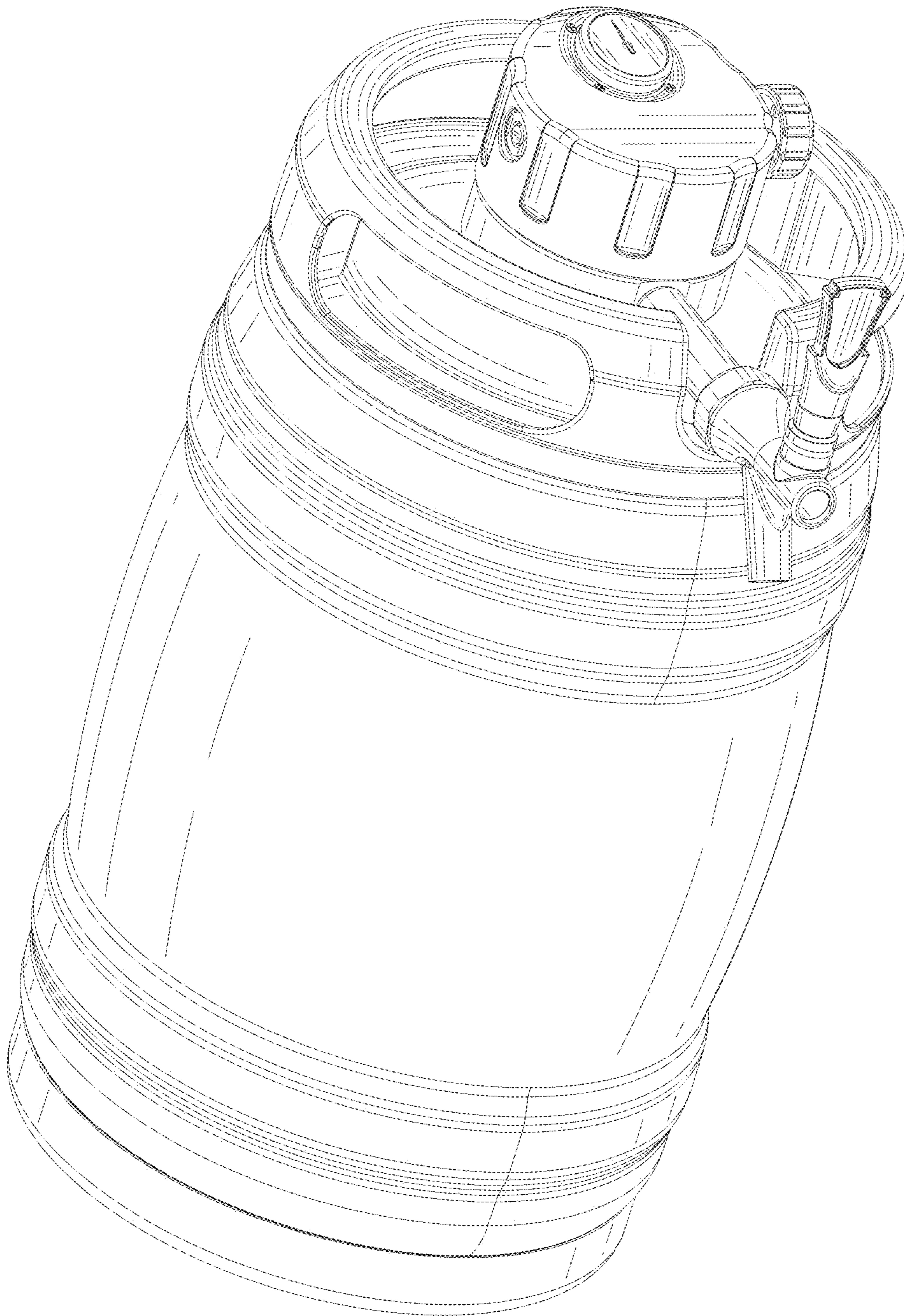


FIG. 1

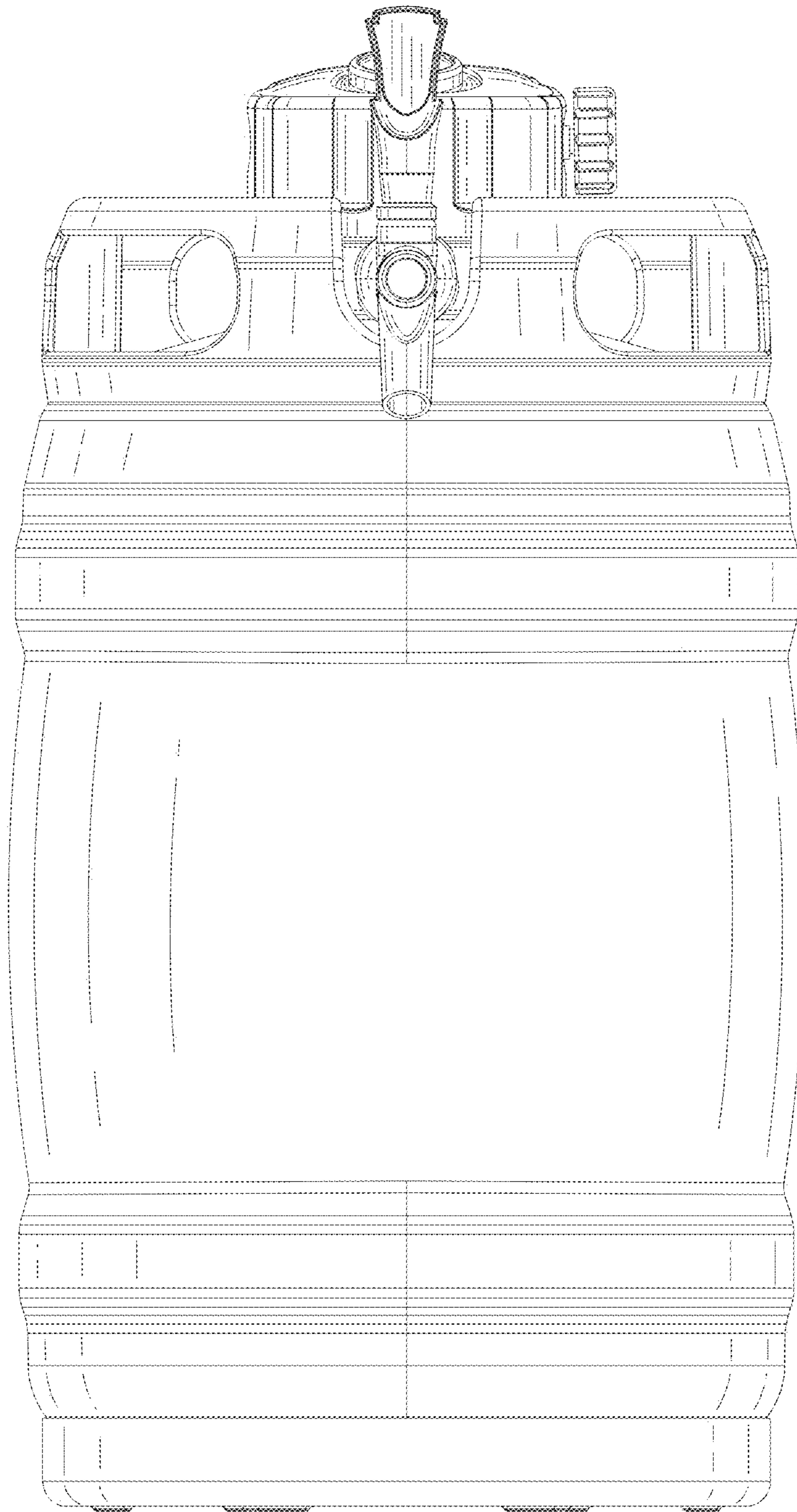


FIG. 2

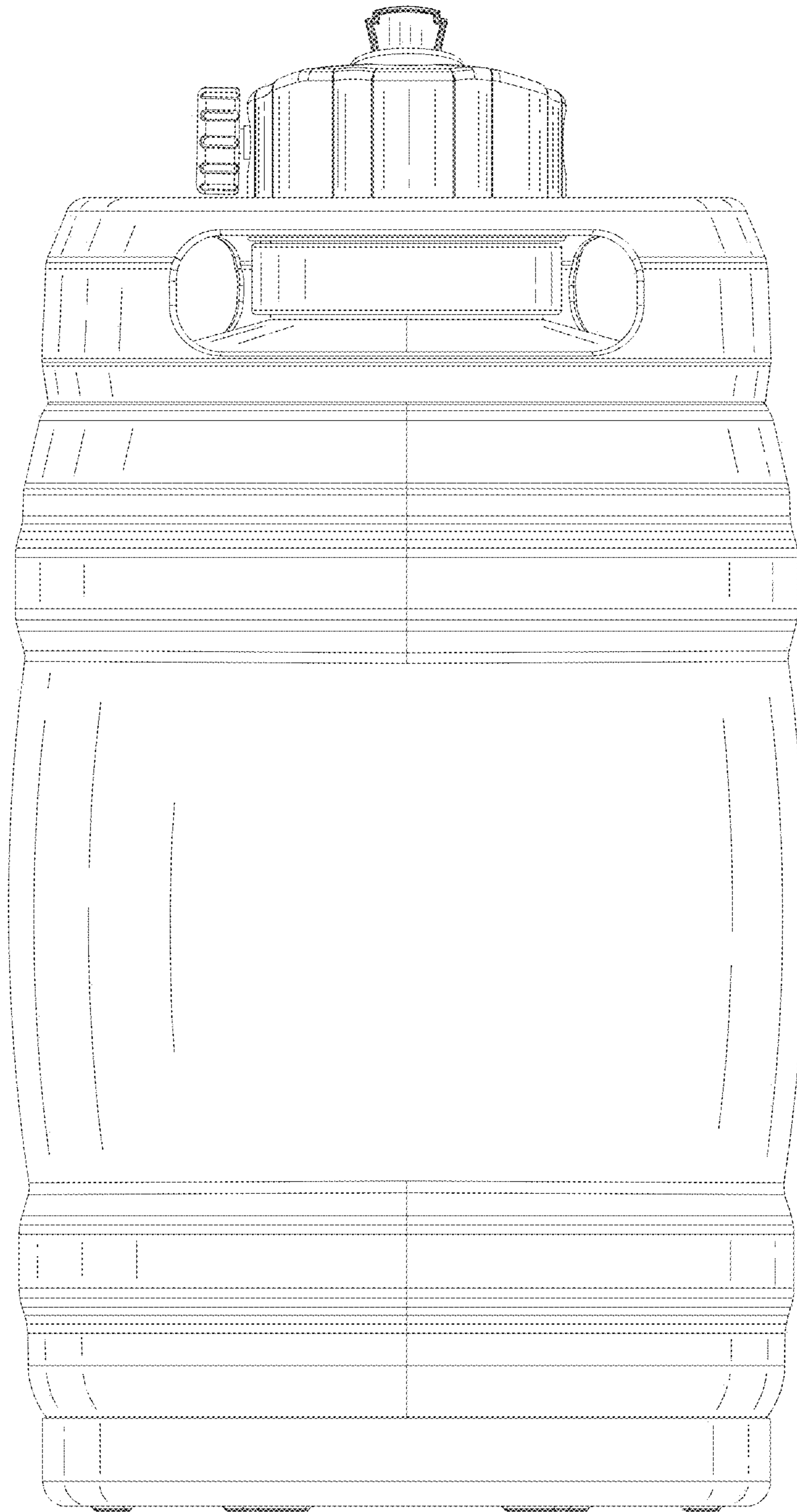


FIG. 3

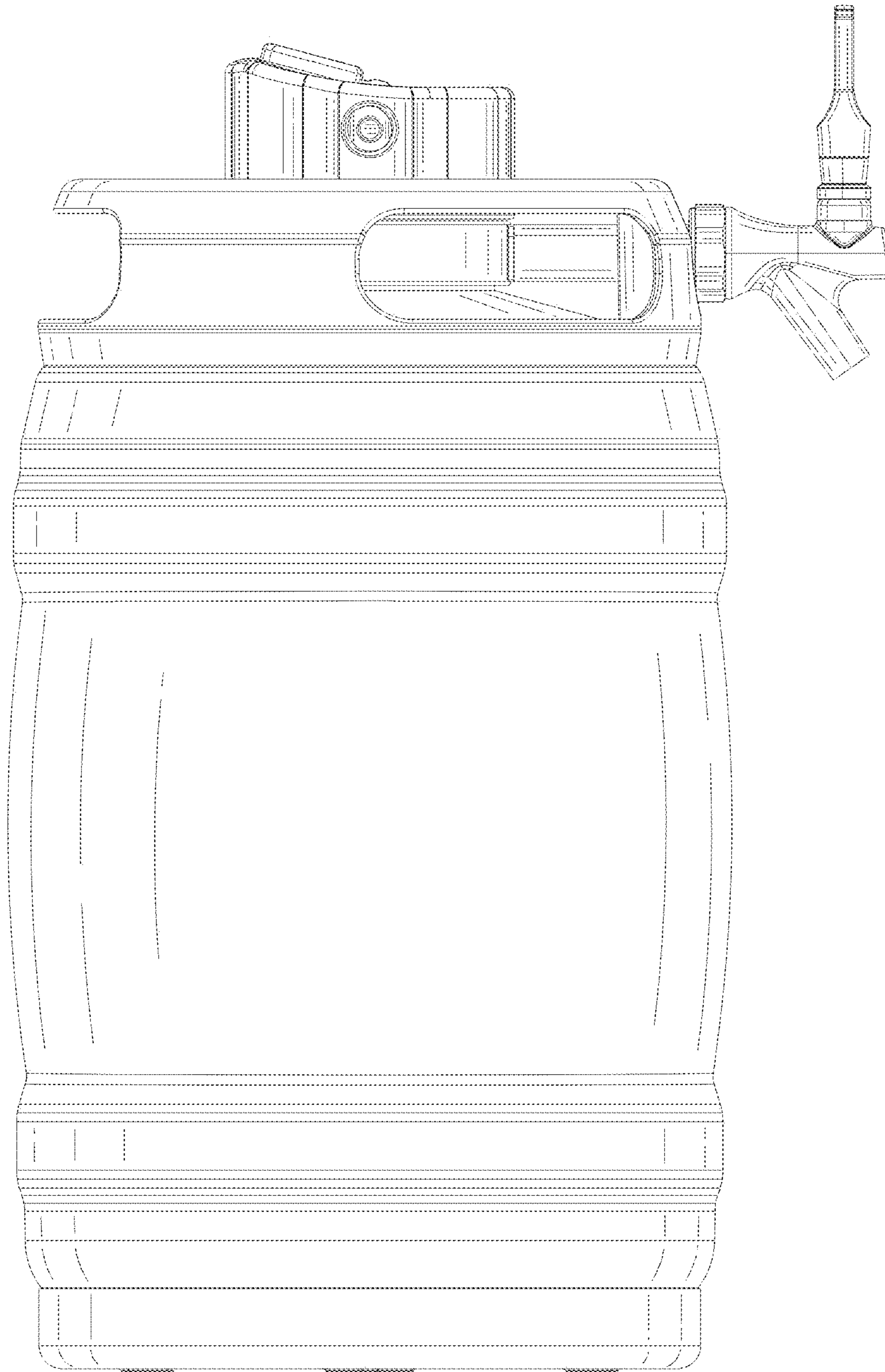


FIG. 4

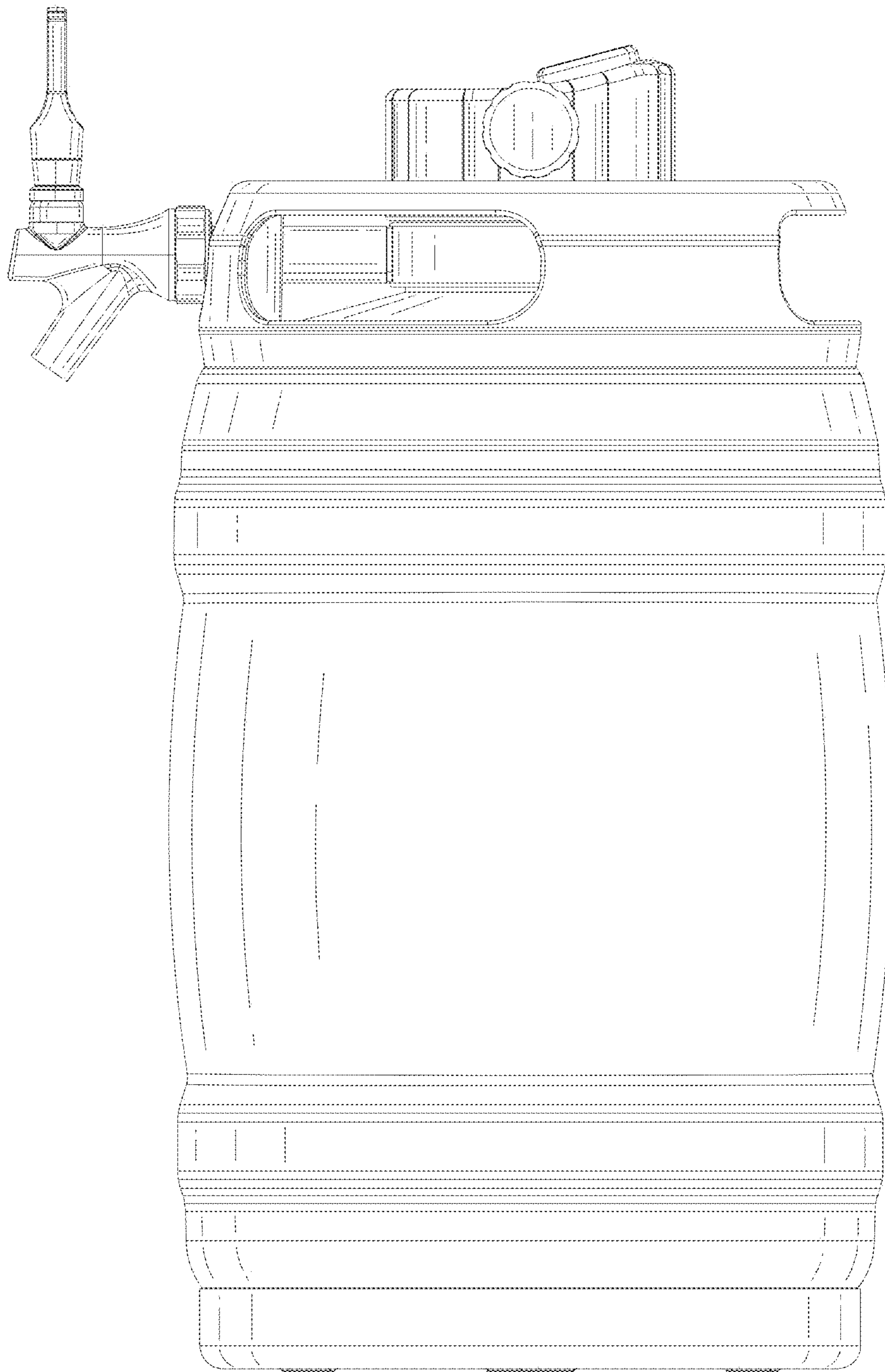


FIG. 5

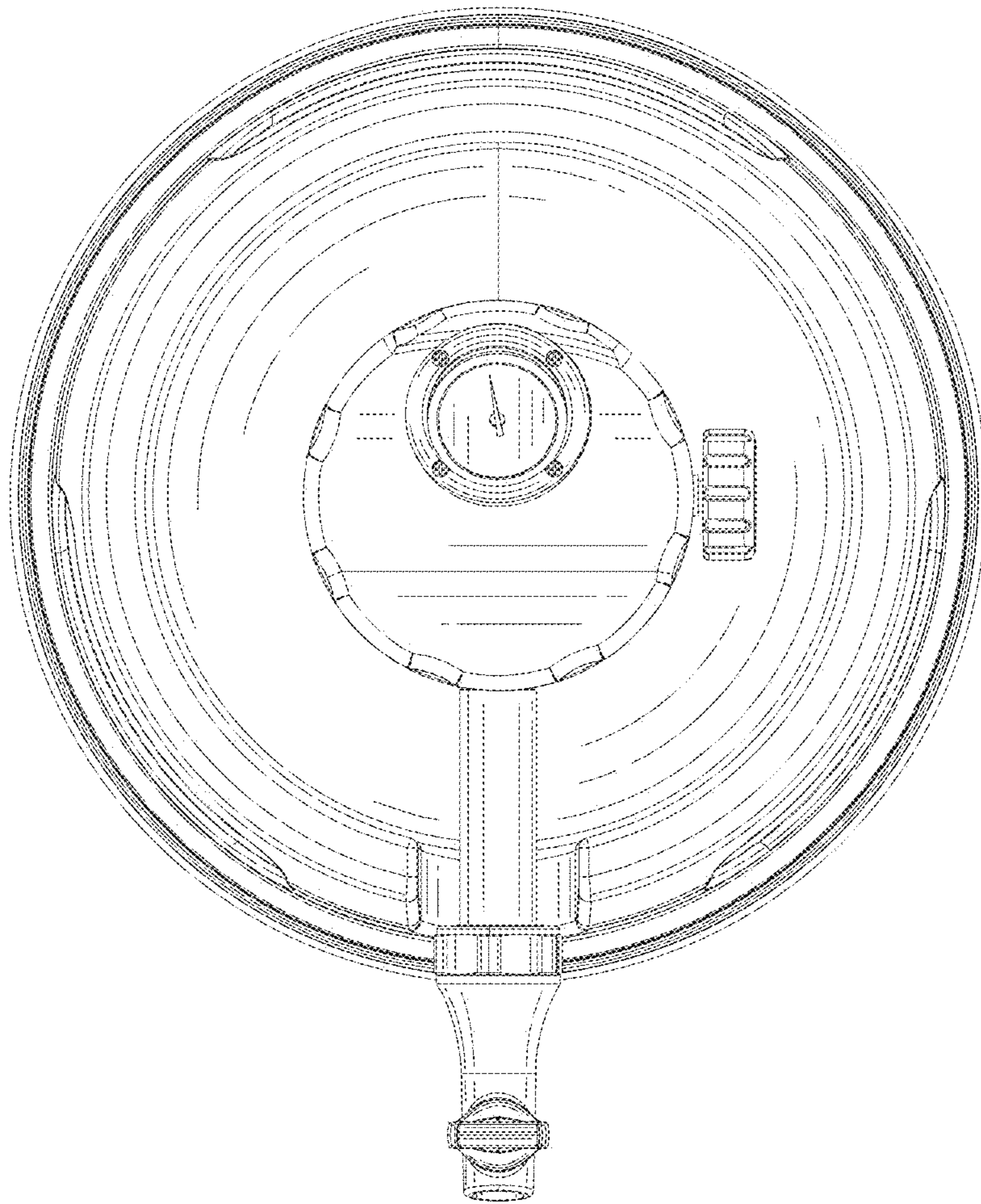


FIG. 6

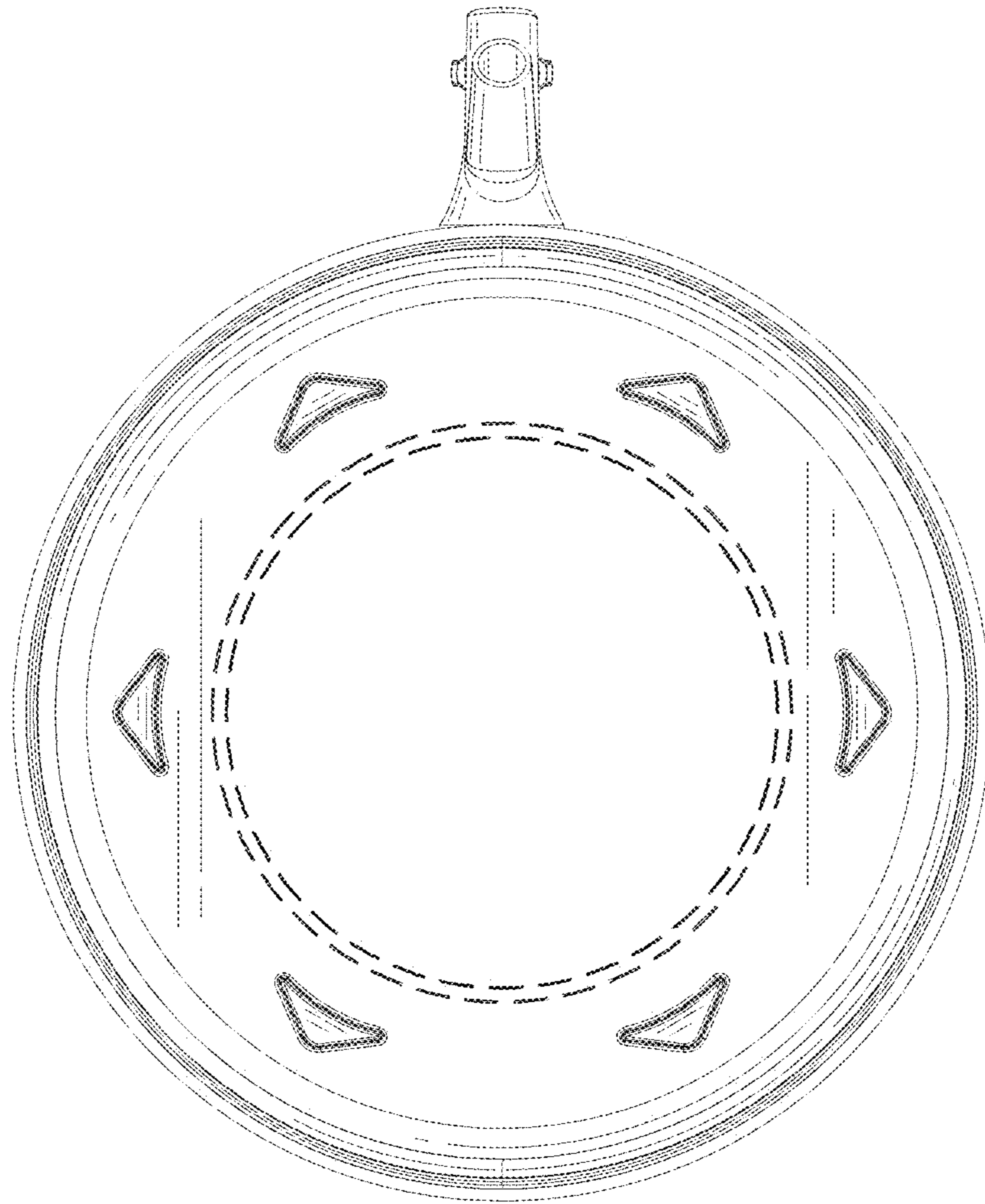


FIG. 7