



US00D940492S

(12) **United States Design Patent**  
**Nabeiro**

(10) **Patent No.:** **US D940,492 S**  
(45) **Date of Patent:** **\*\* Jan. 11, 2022**

(54) **COFFEE MACHINE FOR COMMERCIAL PURPOSES**

(71) Applicant: **TECNIDELTA—EQUIPAMENTOS HOTELEIROS, LDA.,** Campo Maior (PT)

(72) Inventor: **João Manuel Golçalves Nabeiro,** Campo Maior (PT)

(73) Assignee: **TECNIDELTA—EQUIPAMENTOS HOTELEIROS, LDA.,** Campo Maior (PT)

(\*\*) Term: **15 Years**

(21) Appl. No.: **35/509,353**

(22) Filed: **Apr. 22, 2020**

(80) **Hague Agreement Data**

Int. Filing Date: **Apr. 22, 2020**

Int. Reg. No.: **DM/207858**

Int. Reg. Date: **Apr. 22, 2020**

Int. Reg. Pub. Date: **May 15, 2020**

(51) **LOC (13) Cl.** ..... **07-01**

(52) **U.S. Cl.**  
USPC ..... **D7/309; D7/311**

(58) **Field of Classification Search**  
USPC ..... **D7/305–311, 313**  
CPC ..... **A47J 31/44; A47J 31/4403; A47J 31/46; A47J 31/4482; A47J 31/369; A47J 31/407; A47J 31/10; A47J 31/467; A47J 31/0615; B67D 1/36; B67D 2210/0065; B67D 1/0864; B67D 3/0061**  
See application file for complete search history.

(56) **References Cited**

**U.S. PATENT DOCUMENTS**

4,757,753 A \* 7/1988 Pandolfi ..... A47J 31/4403  
99/290  
D313,724 S \* 1/1991 Pinon ..... D7/308

D476,842 S \* 7/2003 Cortese ..... D7/308  
D497,510 S \* 10/2004 Comorera Ivanov ..... D7/307  
D524,588 S \* 7/2006 Copland ..... D7/309  
D529,752 S \* 10/2006 Sumser ..... D7/309  
D550,498 S \* 9/2007 Vicente Seguer ..... D7/309  
D561,517 S \* 2/2008 Borin ..... D7/309  
D577,944 S \* 10/2008 Spiegel ..... D7/309  
D583,611 S \* 12/2008 Moline ..... D7/309  
D672,998 S \* 12/2012 Bonetto ..... D7/309  
D695,052 S \* 12/2013 Ottavi ..... D7/309  
D696,891 S \* 1/2014 Burrows ..... D7/309  
D702,477 S \* 4/2014 Hong ..... D7/309  
D718,973 S \* 12/2014 Picozza ..... D7/306  
D721,531 S \* 1/2015 Krasne ..... D7/309  
D723,858 S \* 3/2015 Ye ..... D7/306  
D735,516 S \* 8/2015 Burrows ..... D7/306  
D740,606 S \* 10/2015 Lin ..... D7/309  
D758,778 S \* 6/2016 Bonetto ..... D7/306  
D770,215 S \* 11/2016 Vu ..... D7/309  
D770,832 S \* 11/2016 Affatato ..... D7/309  
D788,510 S \* 6/2017 Steiner ..... D7/306  
D862,145 S \* 10/2019 Foglia ..... D7/309  
D865,428 S \* 11/2019 Cometti ..... D7/309

(Continued)

*Primary Examiner* — Michael A. Pratt

(74) *Attorney, Agent, or Firm* — Sughrue Mion, PLLC

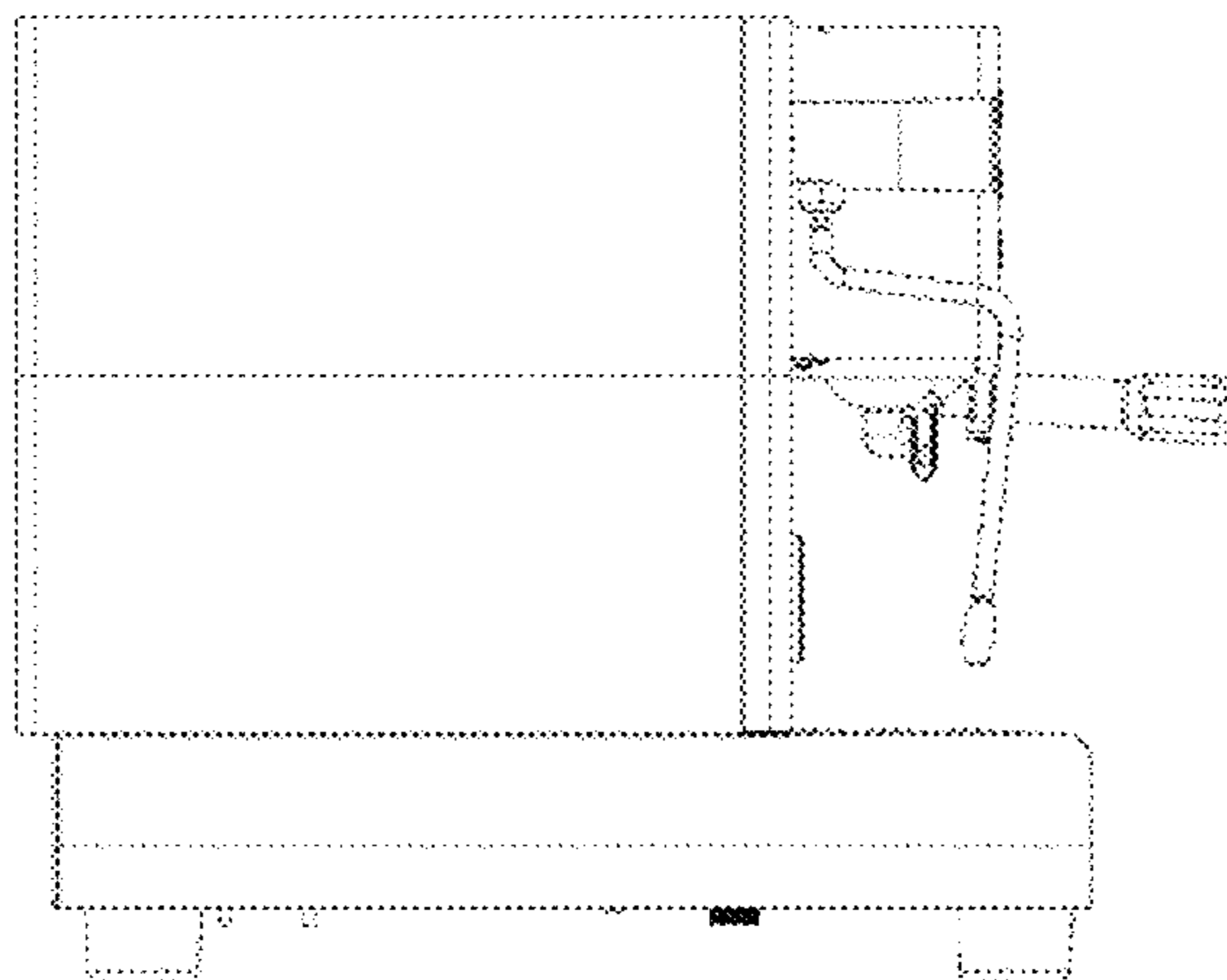
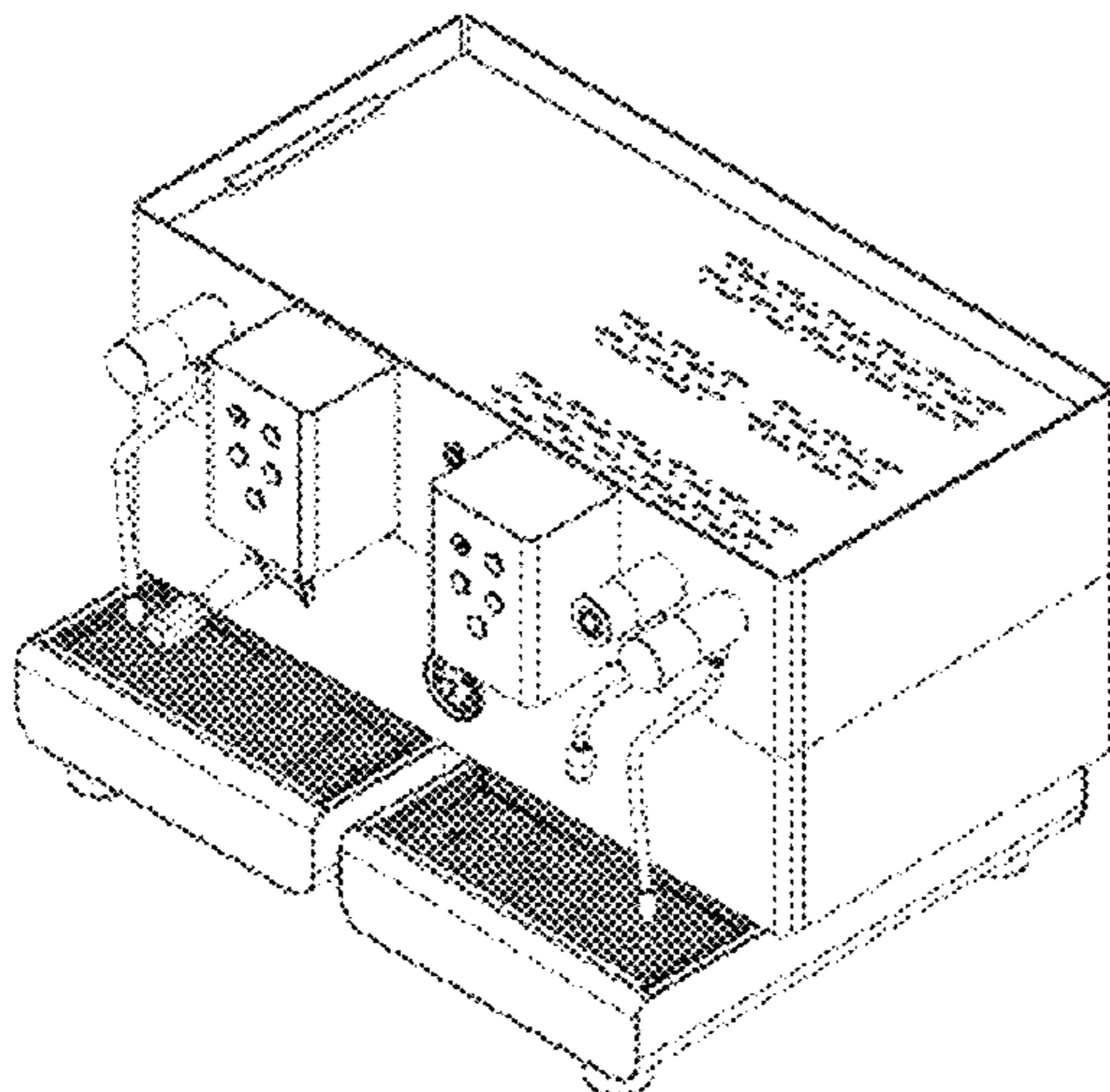
(57) **CLAIM**

The ornamental design for a coffee machine for commercial purposes, as shown and described.

**DESCRIPTION**

Figure 1.1 is a perspective view of a coffee machine for commercial purposes showing my new design; Figure 1.2 is a front view thereof; Figure 1.3 is a left side view thereof; Figure 1.4 is a right side view thereof; Figure 1.5 is a top view thereof; Figure 1.6 is a bottom view thereof; and Figure 1.7 is a rear view thereof.

**1 Claim, 7 Drawing Sheets**



(56)

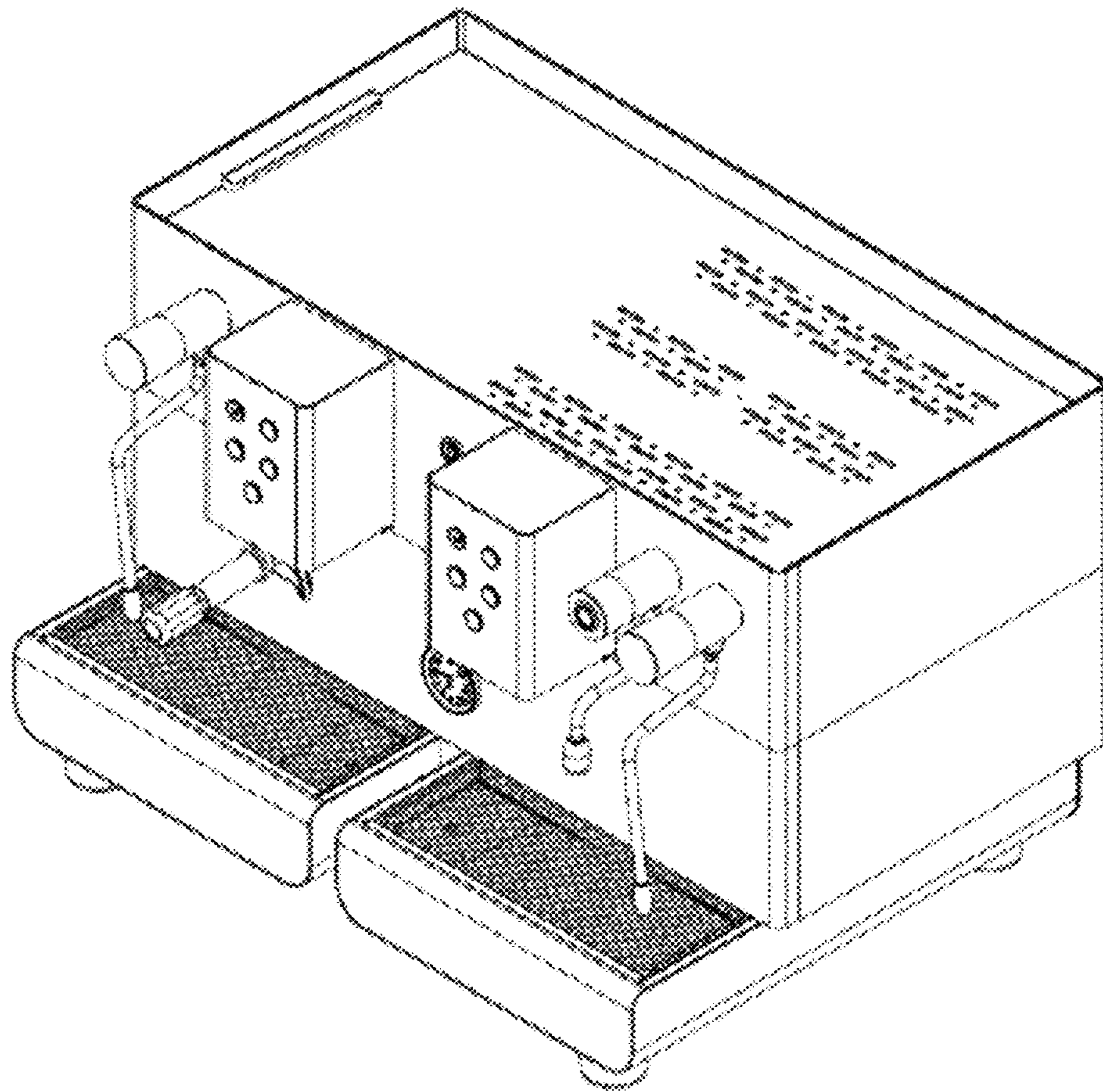
**References Cited**

U.S. PATENT DOCUMENTS

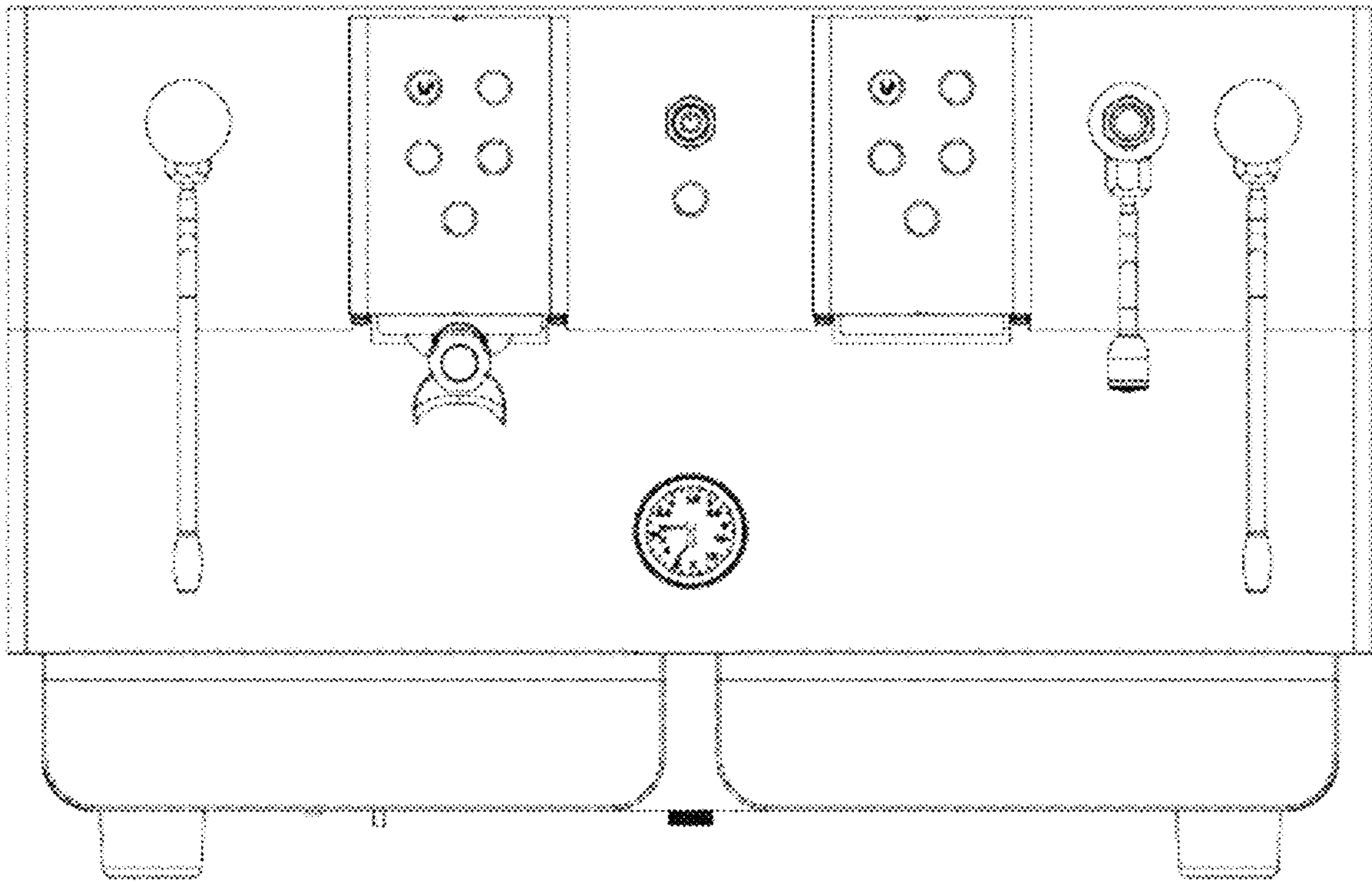
D883,726 S \* 5/2020 Guelfo ..... D7/309  
D890,560 S \* 7/2020 Cecchetto ..... D7/309  
D890,561 S \* 7/2020 Cecchetto ..... D7/309

\* cited by examiner

1.1

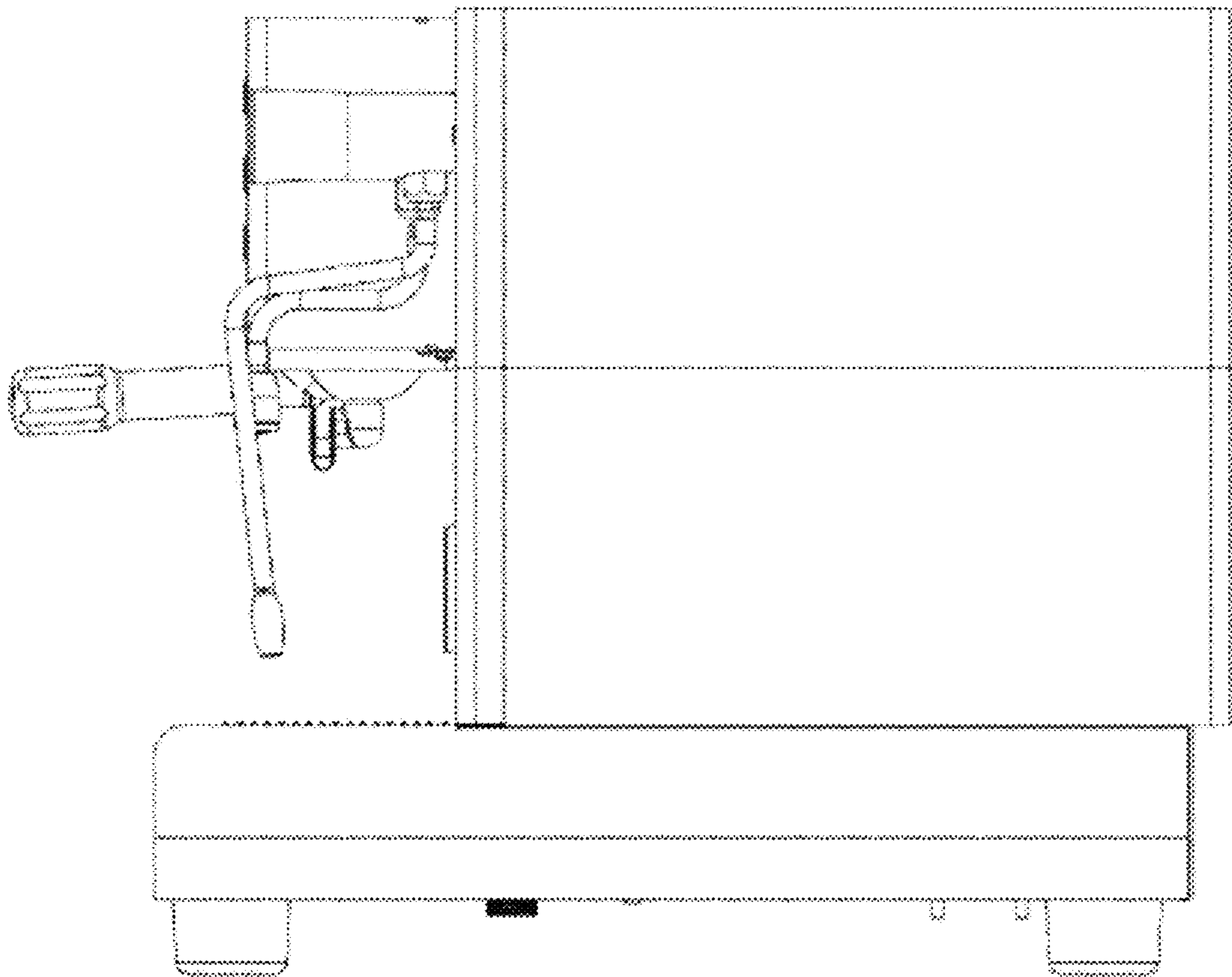


1.2

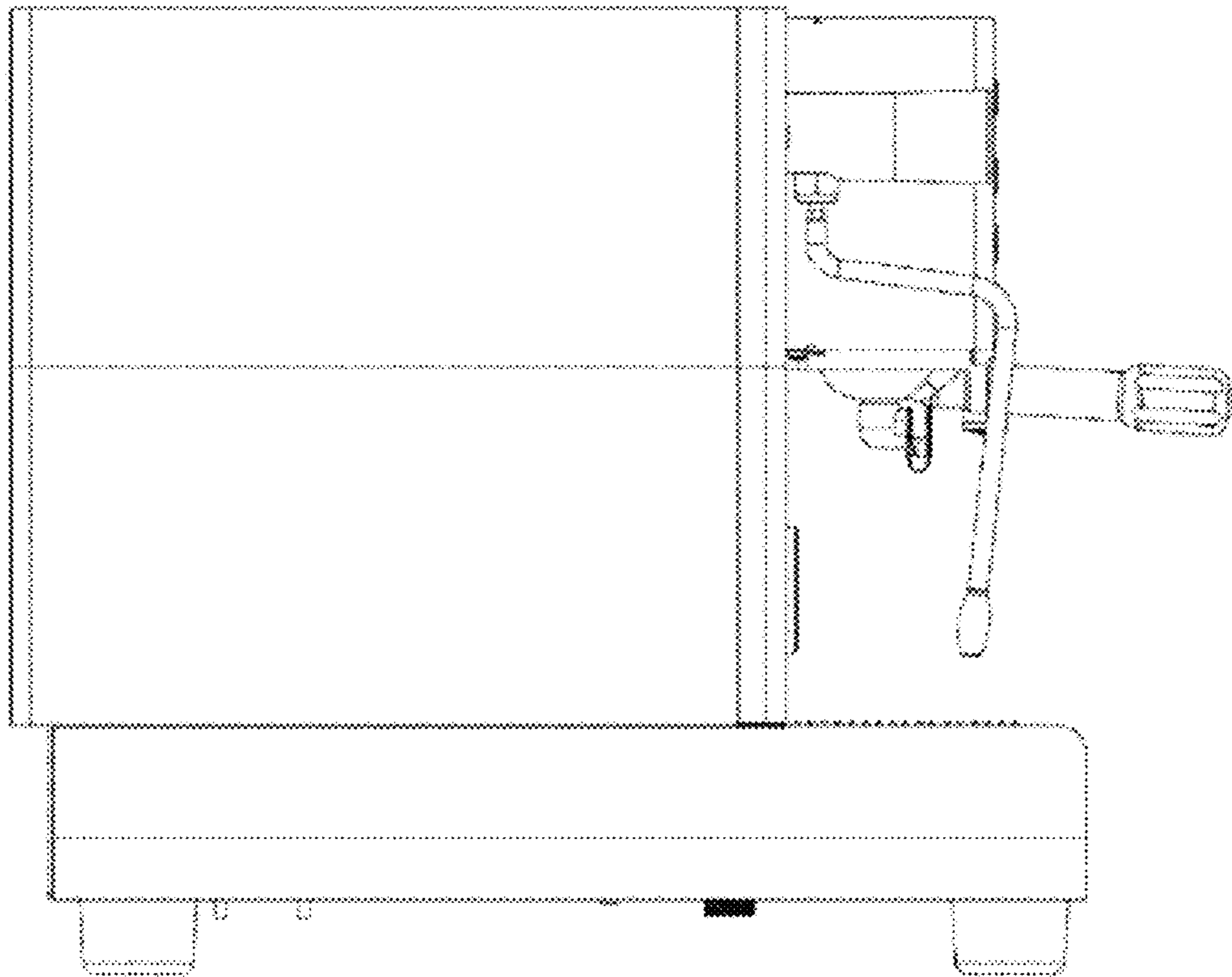




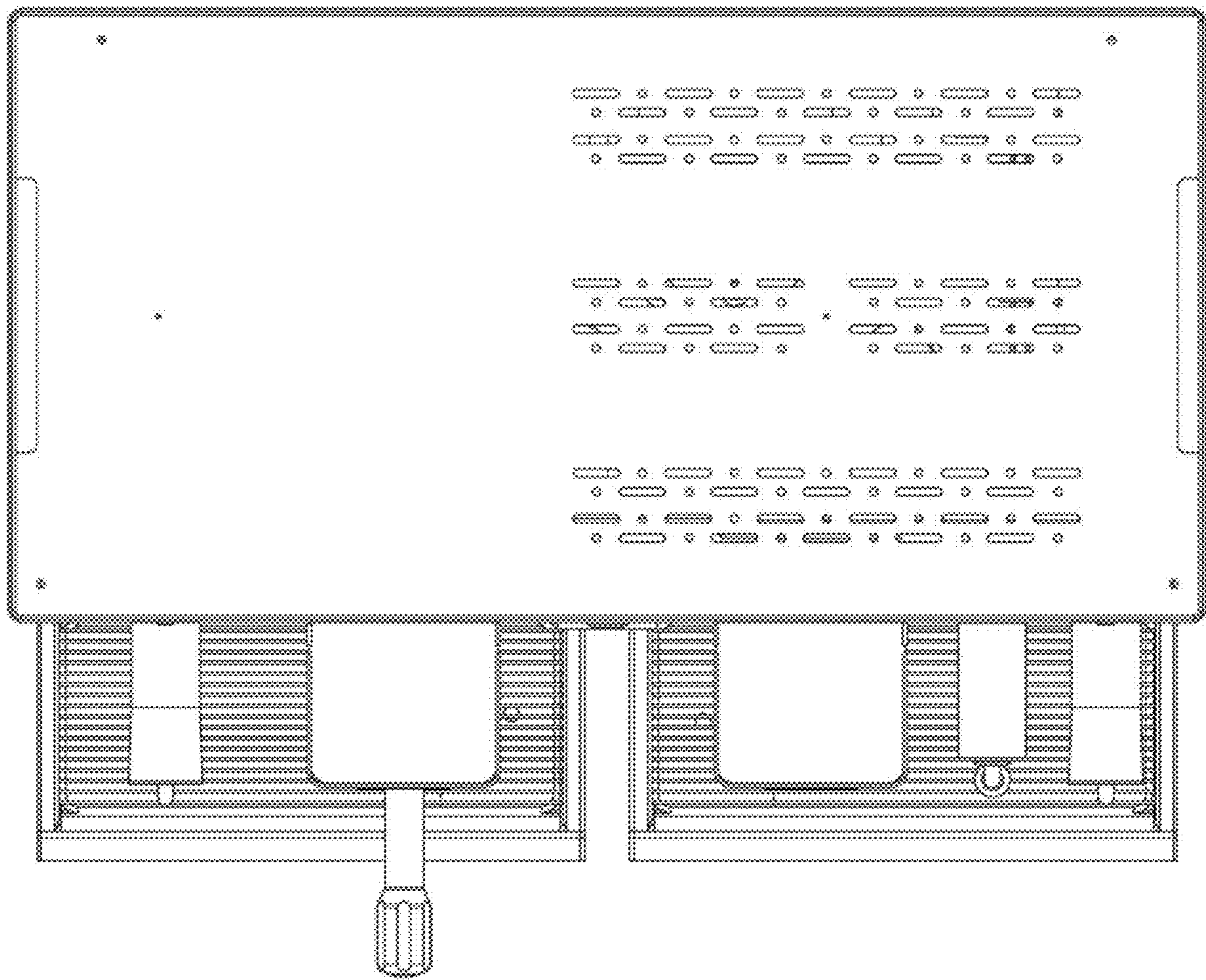
1.3



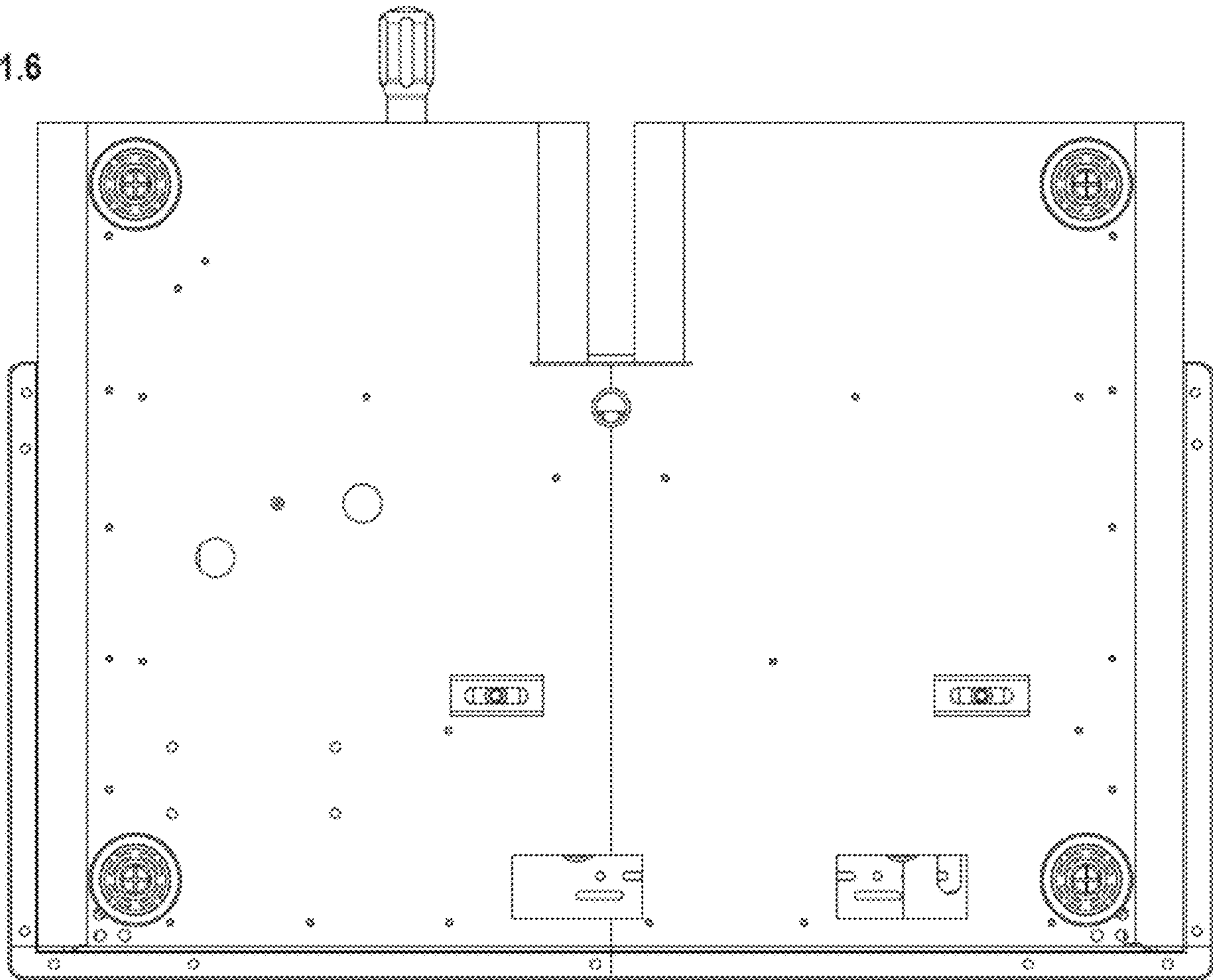
14



15



1.6





1.7

