



US00D940491S

(12) **United States Design Patent** (10) **Patent No.:** **US D940,491 S**
Baur (45) **Date of Patent:** **** Jan. 11, 2022**

(54) **COFFEE MAKER**

(56) **References Cited**

(71) Applicant: **Jura Elektroapparate AG,**
Niederbuchsiten (CH)

(72) Inventor: **Philipp Baur,** Utzenstorf (CH)

(73) Assignee: **Jura Elektroapparate AG,**
Niederbuchsiten (CH)

(**) Term: **15 Years**

(21) Appl. No.: **35/509,323**

(22) Filed: **Feb. 19, 2020**

(80) **Hague Agreement Data**

Int. Filing Date: **Feb. 19, 2020**

Int. Reg. No.: **DM/207602**

Int. Reg. Date: **Feb. 19, 2020**

Int. Reg. Pub. Date: **May 8, 2020**

(30) **Foreign Application Priority Data**

Aug. 22, 2019 (EM) 006755765

(51) **LOC (13) Cl.** **07-01**

(52) **U.S. Cl.**
USPC **D7/309; D7/311**

(58) **Field of Classification Search**
USPC D7/305-311, 313
CPC A47J 31/44; A47J 31/4403; A47J 31/46;
A47J 31/4482; A47J 31/369; A47J
31/407; A47J 31/10; A47J 31/467; A47J
31/0615; B67D 1/36; B67D 2210/0065;
B67D 1/0864; B67D 3/0061

See application file for complete search history.

U.S. PATENT DOCUMENTS

D292,961 S	*	12/1987	Daugherty	D7/309
D417,118 S	*	11/1999	Pomeroy	D7/306
D586,604 S	*	2/2009	Buttler	D7/309
D587,511 S	*	3/2009	Buttler	D7/309
D670,131 S	*	11/2012	Feder	D7/309
D719,390 S	*	12/2014	De Pra	D7/309
D737,091 S	*	8/2015	Gebhardt	D7/309
D808,727 S	*	1/2018	Bo	D7/532
D823,037 S	*	7/2018	Gebhardt	D7/309
D823,627 S	*	7/2018	Gebhardt	D7/309
D839,652 S	*	2/2019	De' Longhi	D7/309
D843,154 S	*	3/2019	Buttler	D7/309
D853,186 S	*	7/2019	Gebhardt	D7/399
D878,130 S	*	3/2020	Knoll	D7/306
D891,166 S	*	7/2020	Bignu	D7/309
D891,167 S	*	7/2020	Wang	D7/310
D897,152 S	*	9/2020	Wood	D7/397
D897,766 S	*	10/2020	Epis	D7/399
D901,969 S	*	11/2020	Kestenbaum	D7/399

* cited by examiner

Primary Examiner — Michael A. Pratt

(74) Attorney, Agent, or Firm — Volpe Koenig

(57) **CLAIM**

The ornamental design for a coffee maker, as shown and described.

DESCRIPTION

2. Coffee maker

2.1 : Right

2.2 : Left

2.3 : Front

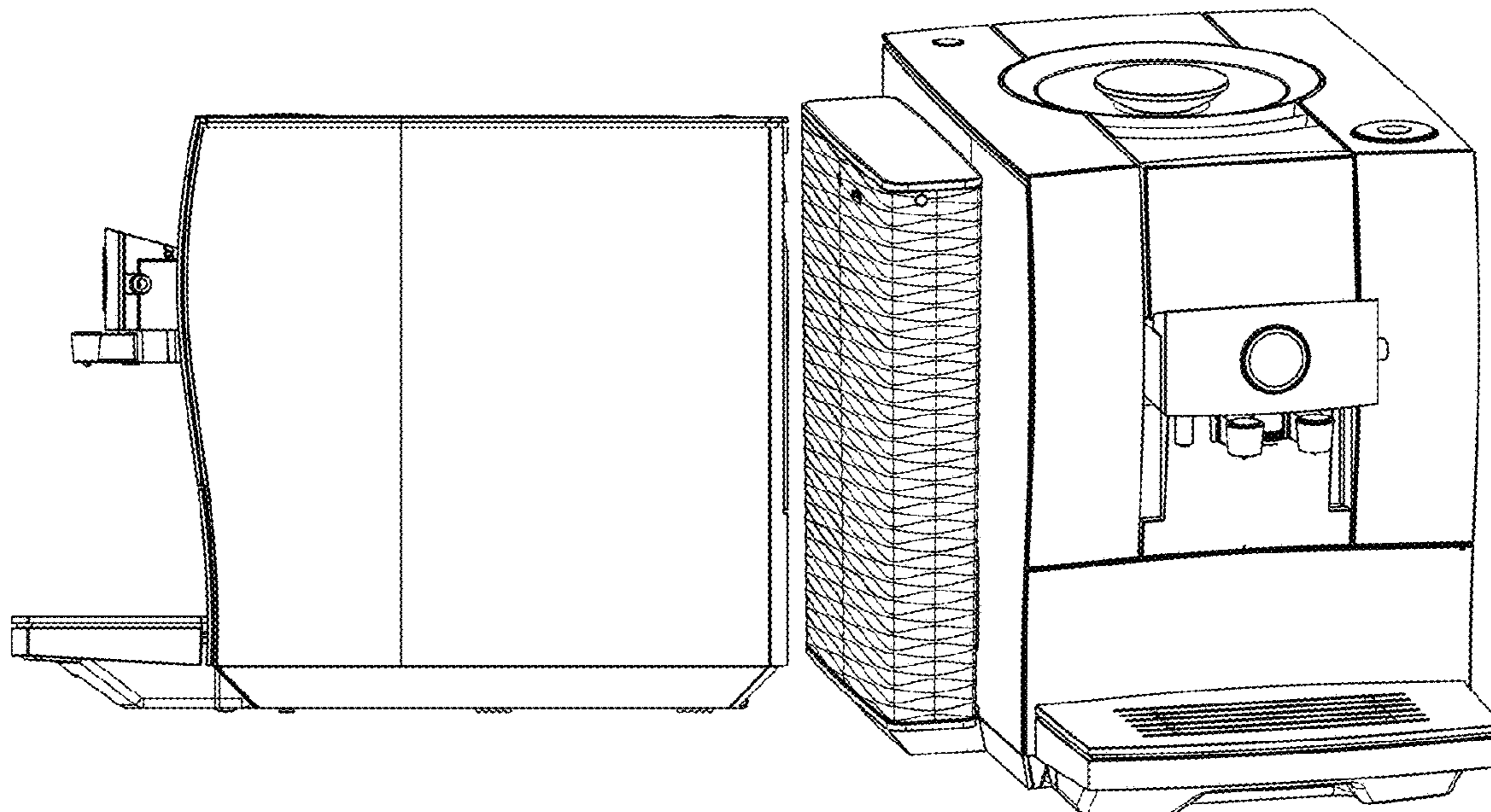
2.4 : Back

2.5 : Top

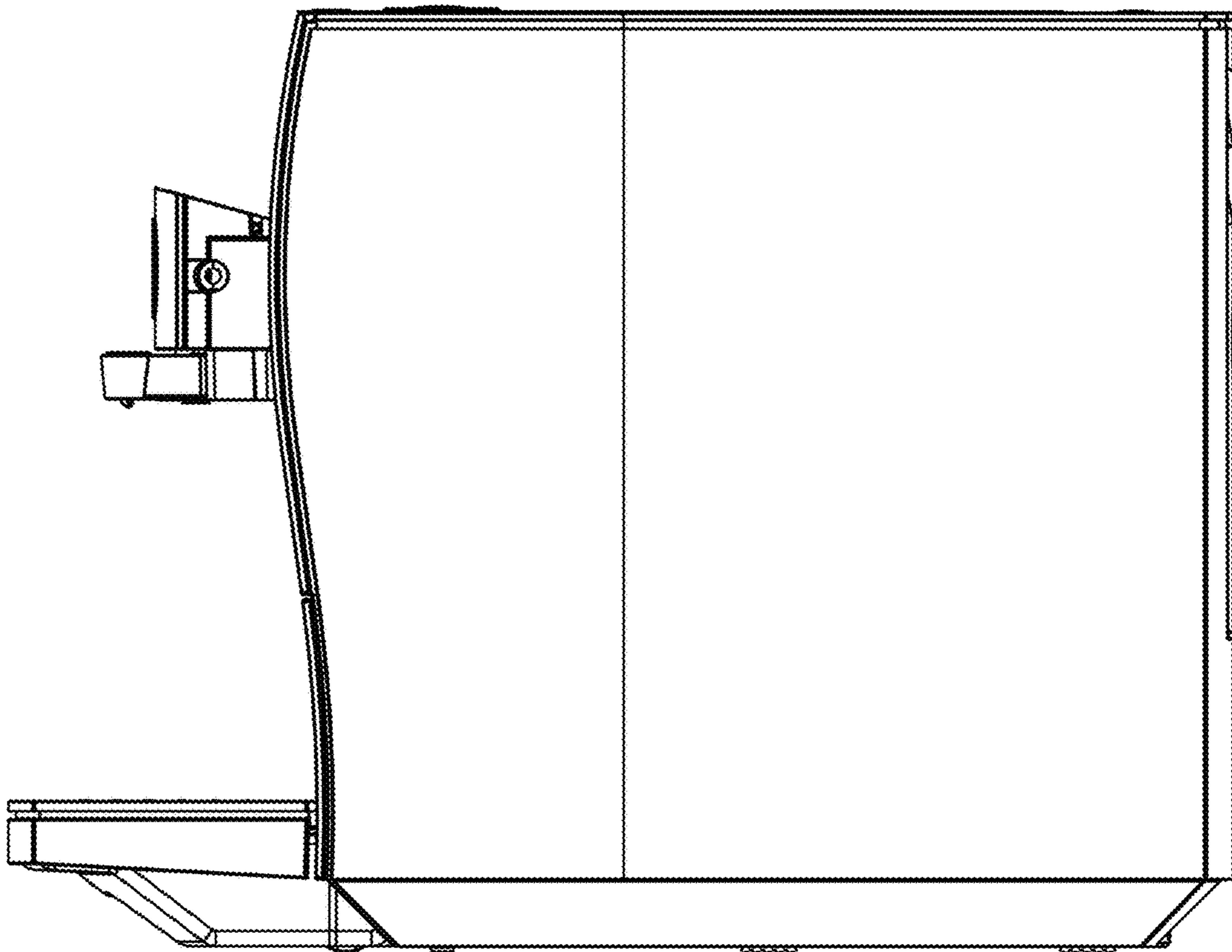
2.6 : Bottom

2.7 : Perspective

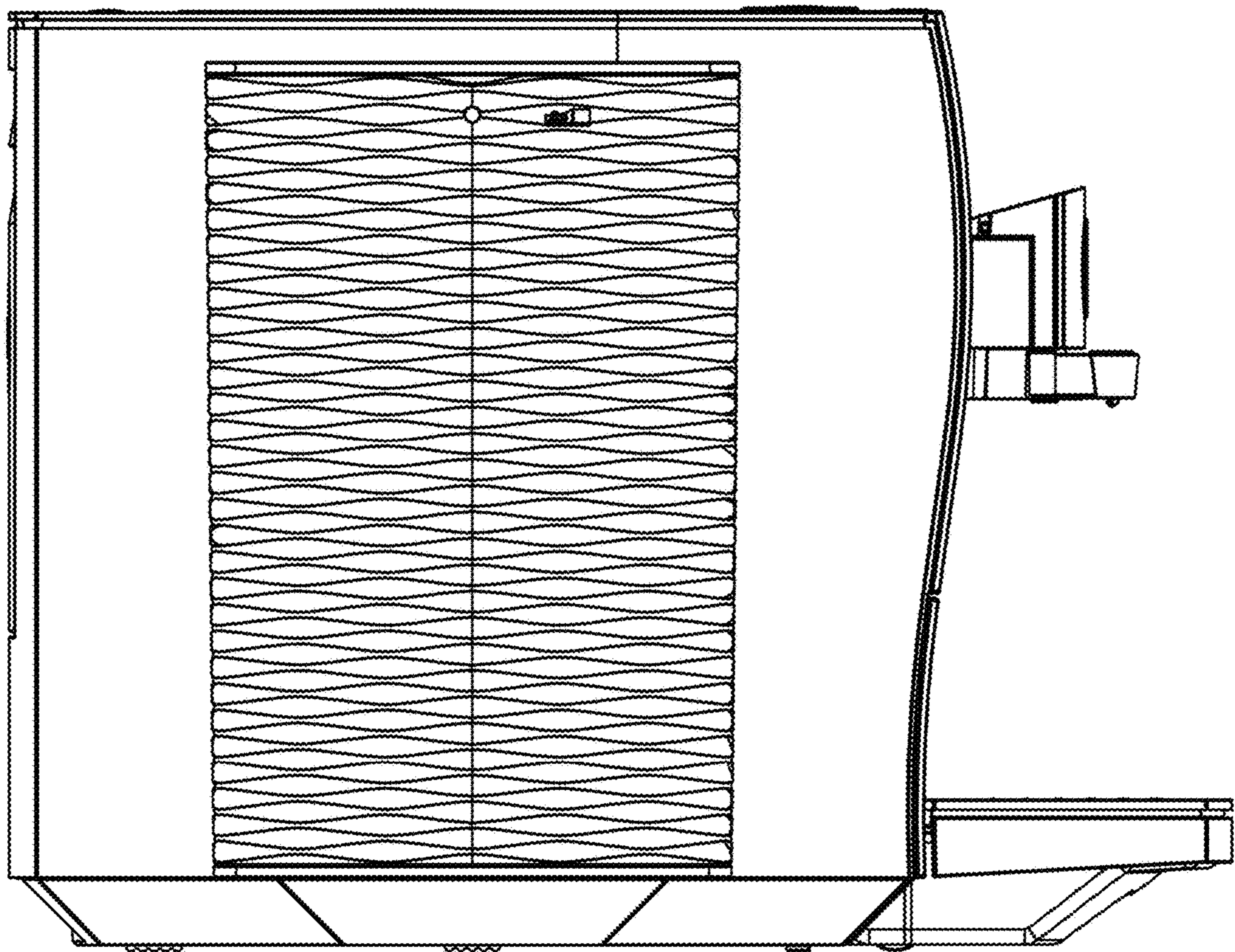
1 Claim, 7 Drawing Sheets



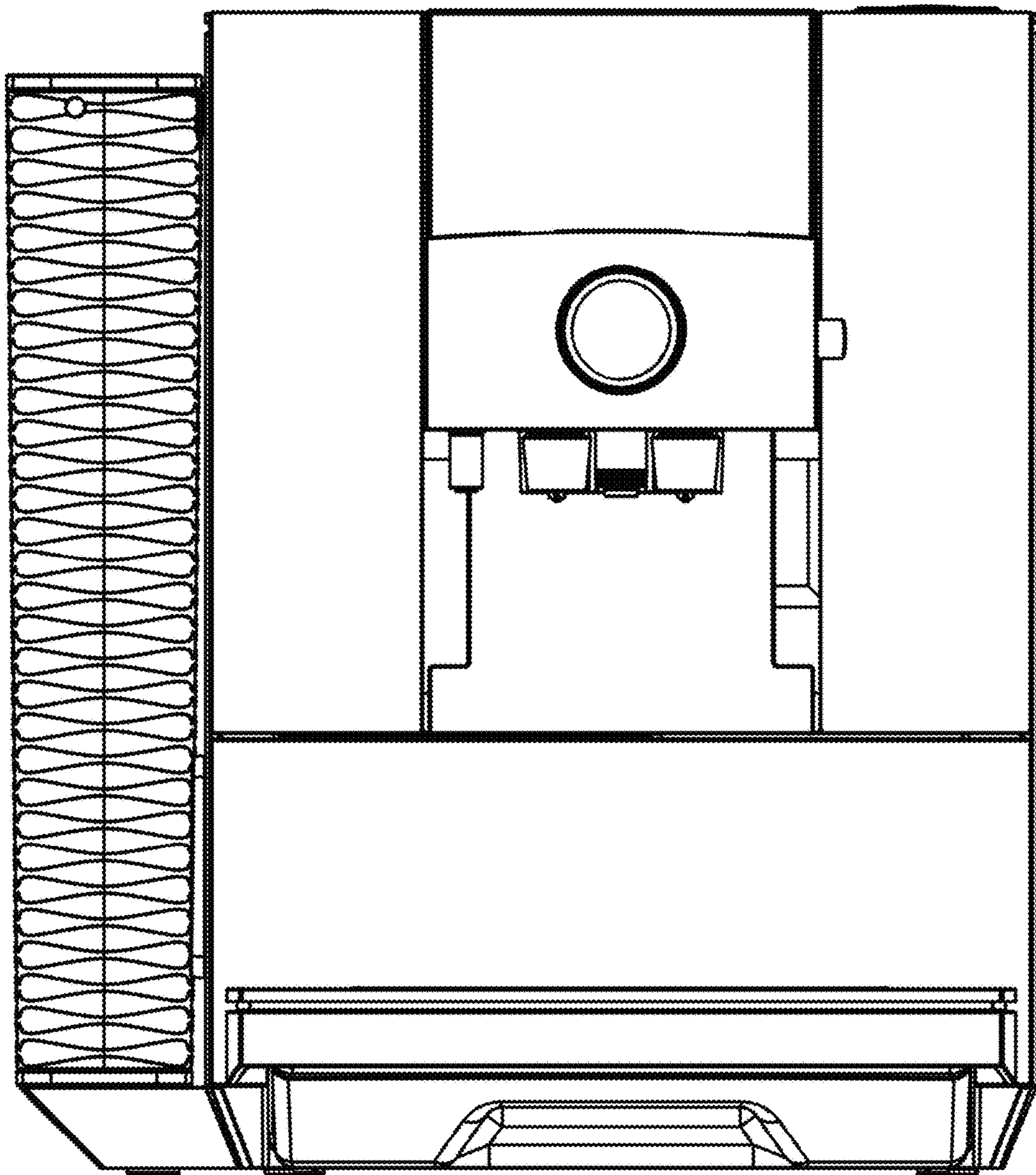
2.1



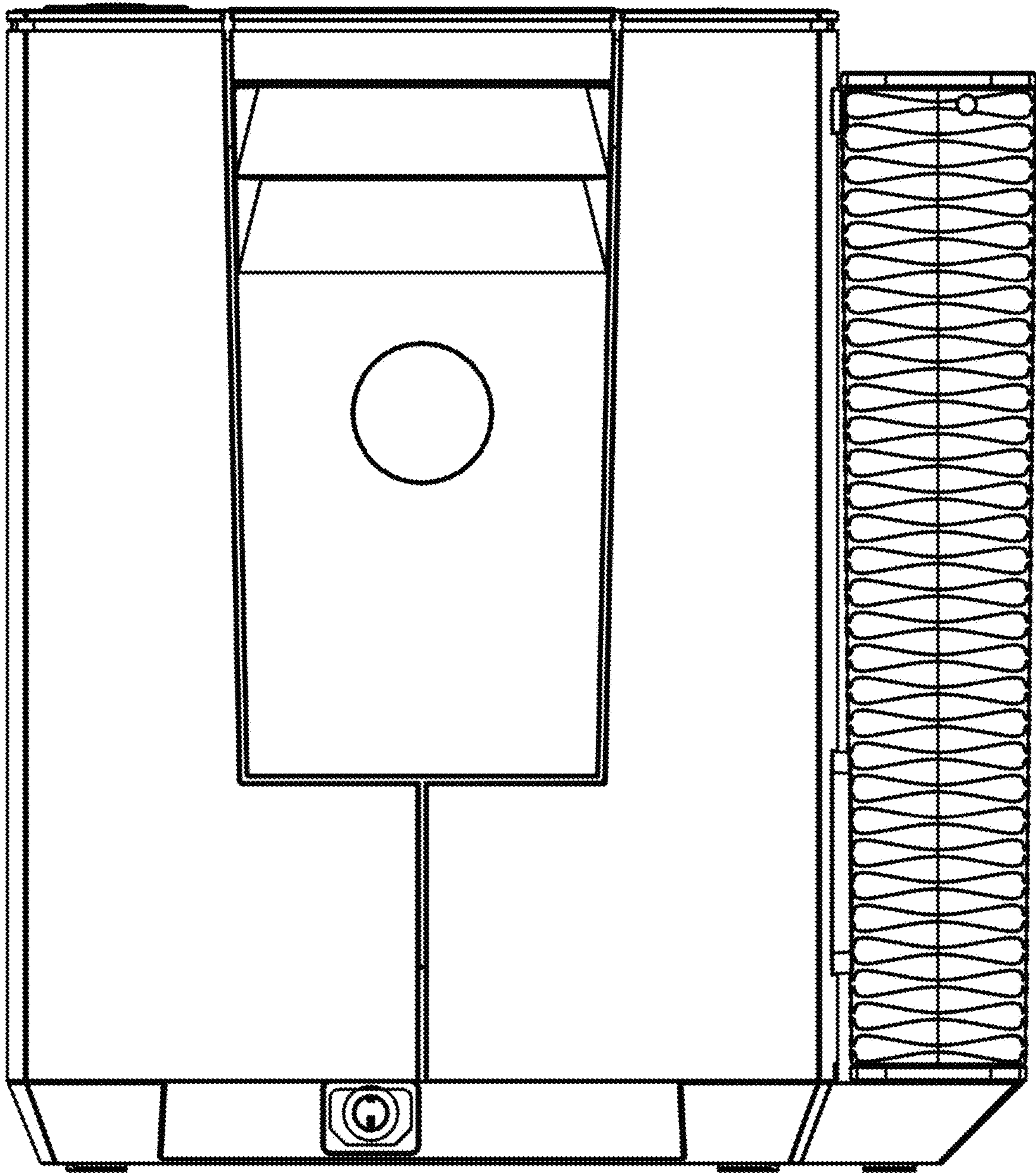
2.2



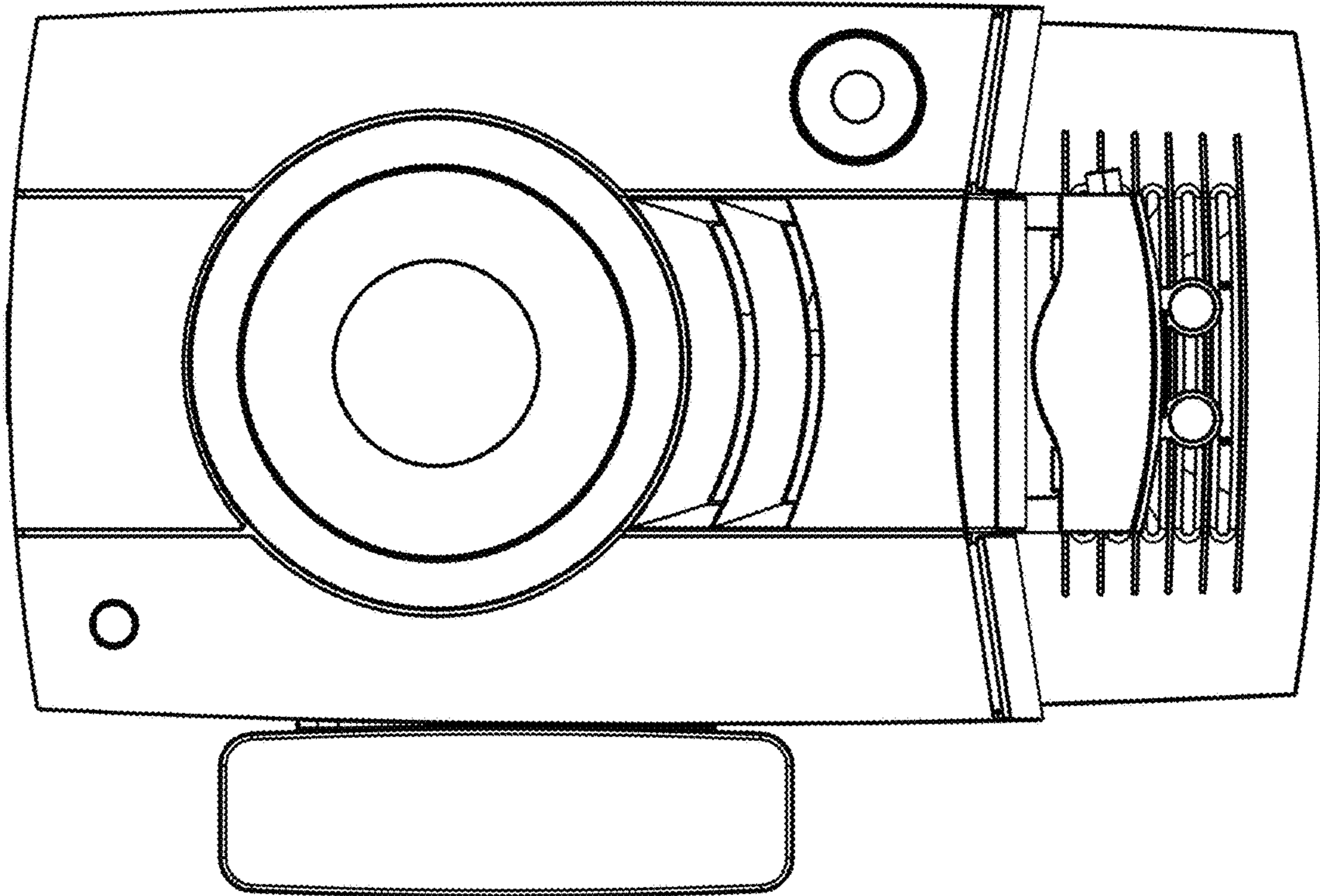
2.3



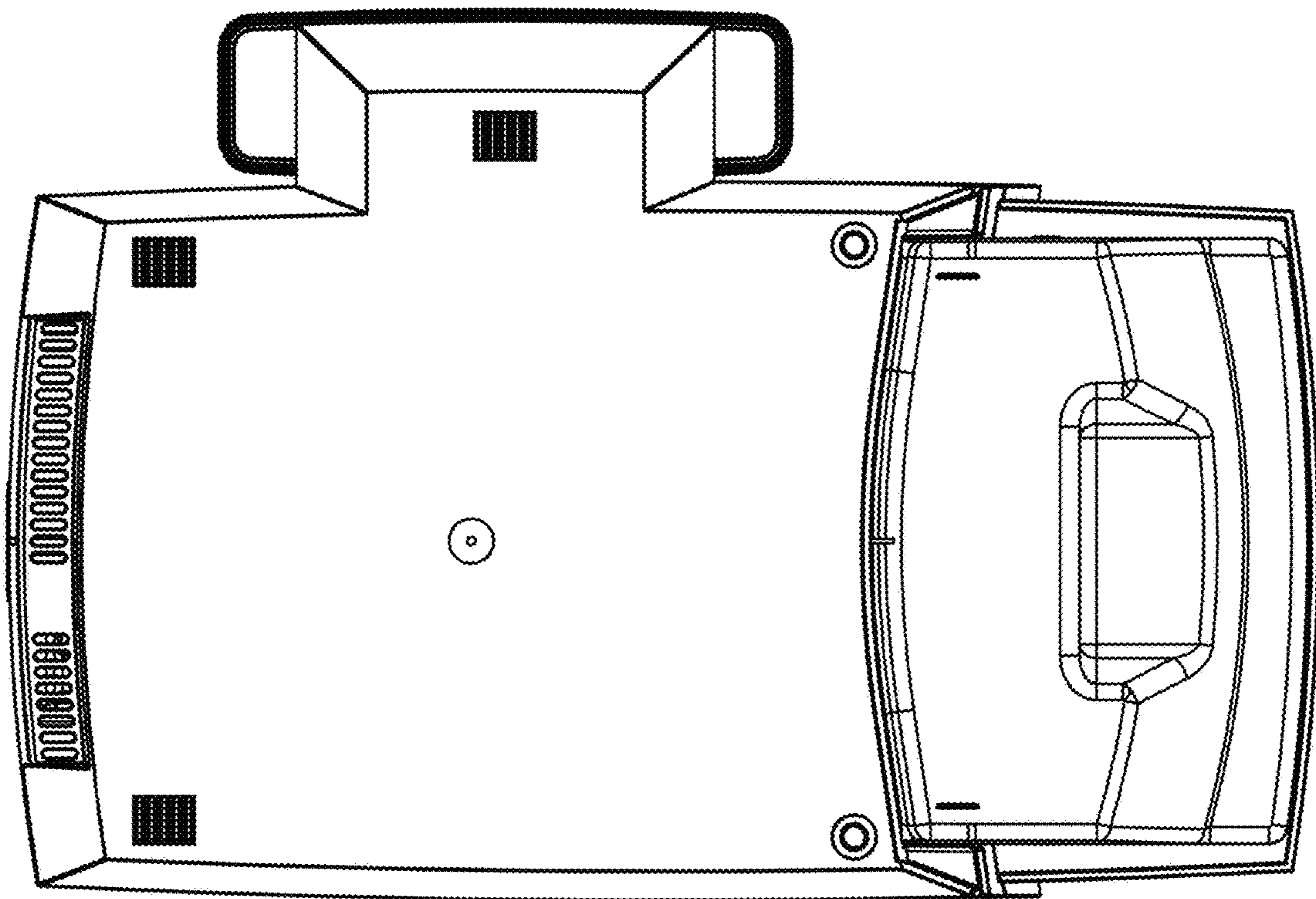
2.4



2.5



2.6



2.7

