



US00D940490S

(12) **United States Design Patent** (10) **Patent No.:** **US D940,490 S**  
**Grob** (45) **Date of Patent:** **\*\* Jan. 11, 2022**

(54) **COFFEE MAKER**  
(71) Applicant: **Jura Elektroapparate AG,**  
Niederbuchsiten (CH)  
(72) Inventor: **Christoph Grob,** Zofingen (CH)  
(73) Assignee: **Jura Elektroapparate AG,**  
Niederbuchsiten (CH)  
(\*\*) Term: **15 Years**

D586,604 S \* 2/2009 Buttler ..... D7/309  
D587,511 S \* 3/2009 Buttler ..... D7/309  
D670,131 S \* 11/2012 Feder ..... D7/309  
D719,390 S \* 12/2014 De Pra ..... D7/309  
D737,091 S \* 8/2015 Gebhardt ..... D7/309  
D823,037 S \* 7/2018 Gebhardt ..... D7/309  
D823,627 S \* 7/2018 Gebhardt ..... D7/309  
D839,652 S \* 2/2019 De' Longhi ..... D7/309  
D843,154 S \* 3/2019 Buttler ..... D7/309  
D878,130 S \* 3/2020 Knoll ..... D7/306  
D891,166 S \* 7/2020 Bignu ..... D7/309

(21) Appl. No.: **35/509,230**  
(22) Filed: **Mar. 24, 2020**

**FOREIGN PATENT DOCUMENTS**

AU 202011846 6/2020  
AU 202013114 7/2020

(80) **Hague Agreement Data**  
Int. Filing Date: **Mar. 24, 2020**  
Int. Reg. No.: **DM/207375**  
Int. Reg. Date: **Mar. 24, 2020**  
Int. Reg. Pub. Date: **May 1, 2020**

**OTHER PUBLICATIONS**

[https://www.youtube.com/watch?v=Cc\\_Au0oQC94&ab\\_channel=JURA](https://www.youtube.com/watch?v=Cc_Au0oQC94&ab_channel=JURA). (Sep. 4, 2018).

(Continued)

*Primary Examiner* — Michael A. Pratt

(30) **Foreign Application Priority Data**

(74) *Attorney, Agent, or Firm* — Volpe Koenig

Oct. 2, 2019 (EM) ..... 006967618

(51) **LOC (13) Cl.** ..... **07-01**

(52) **U.S. Cl.**  
USPC ..... **D7/309; D7/311**

(58) **Field of Classification Search**  
USPC ..... D7/305-311, 313  
CPC ..... A47J 31/44; A47J 31/4403; A47J 31/46;  
A47J 31/4482; A47J 31/369; A47J  
31/407; A47J 31/10; A47J 31/467; A47J  
31/0615; B67D 1/36; B67D 2210/0065;  
B67D 1/0864; B67D 3/0061

See application file for complete search history.

(57) **CLAIM**

The ornamental design for a coffee maker, as shown and described.

(56) **References Cited**

**DESCRIPTION**

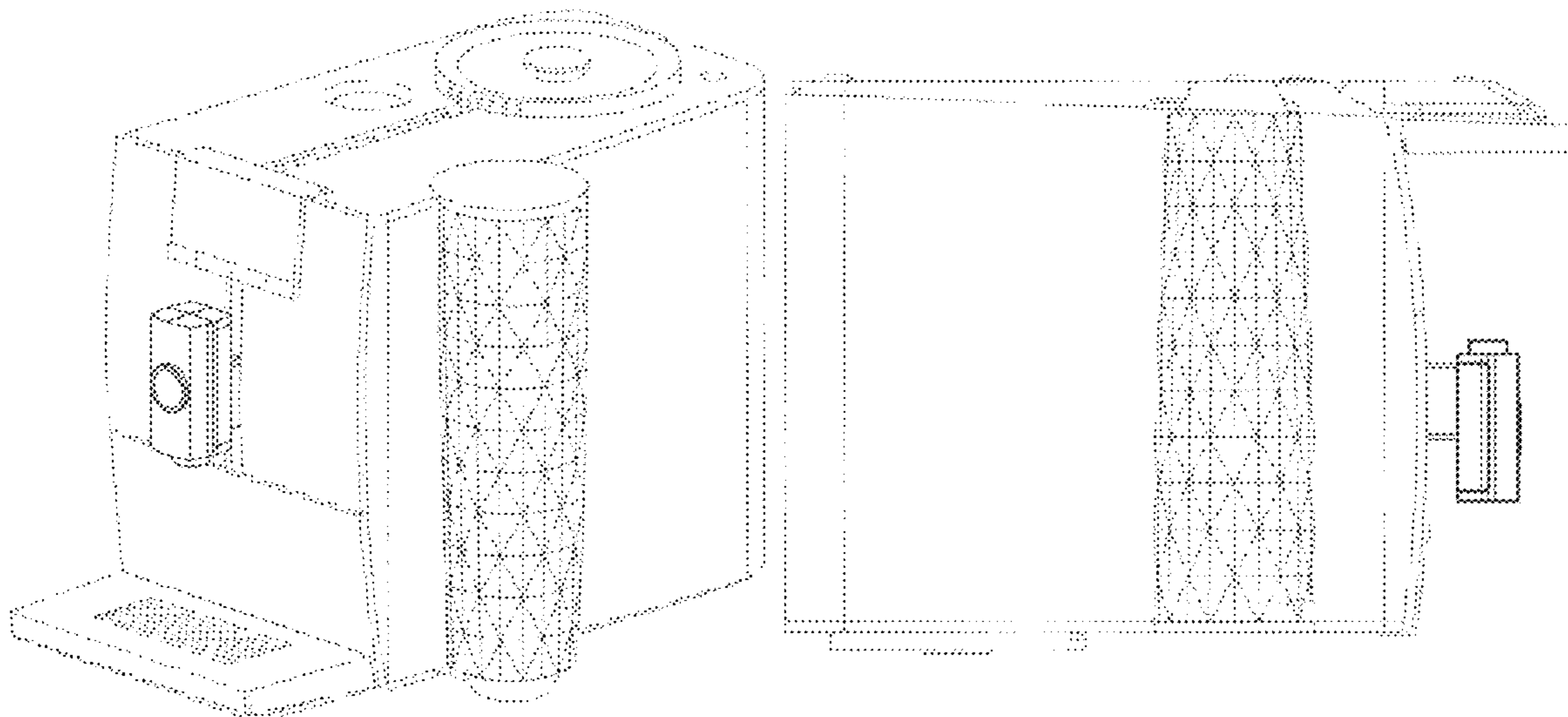
- 1. Coffee maker
- 1.1 : Perspective
- 1.2 : Right
- 1.3 : Left
- 1.4 : Front
- 1.5 : Back
- 1.6 : Top
- 1.7 : Bottom

**U.S. PATENT DOCUMENTS**

D292,961 S \* 12/1987 Daugherty ..... D7/309  
D417,118 S \* 11/1999 Pomeroy ..... D7/306

The broken lines indicate portions of the coffee maker that form no part of the claimed design.

**1 Claim, 7 Drawing Sheets**



(56)

**References Cited**

OTHER PUBLICATIONS

[https://www.youtube.com/watch?v=gfHttZ2jwIA&ab\\_channel=TomaszBebel](https://www.youtube.com/watch?v=gfHttZ2jwIA&ab_channel=TomaszBebel). (Dec. 16, 2018).

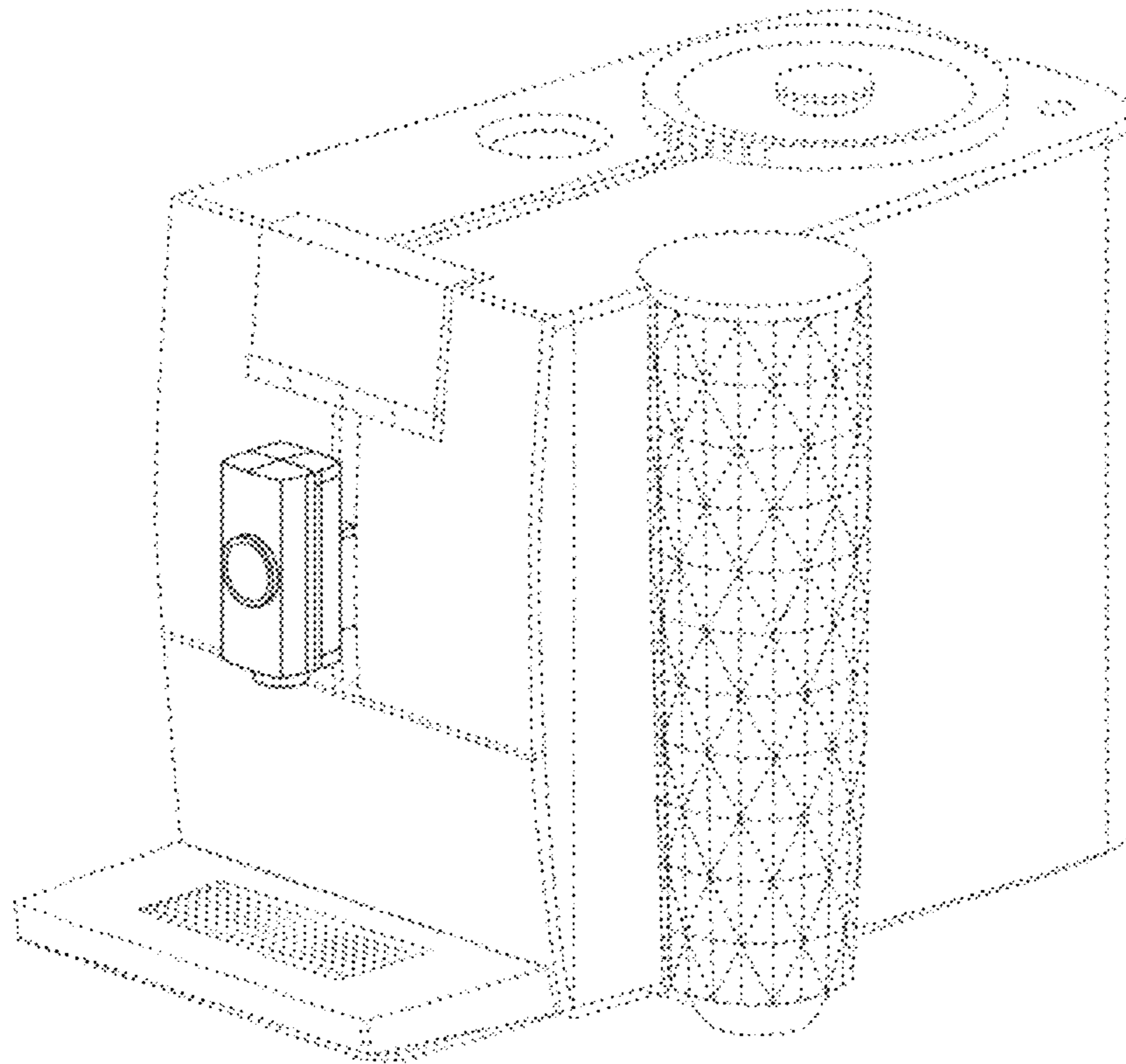
[https://www.facebook.com/coffeepartnerforyourbusiness/photos/p.1895287843899097/1895287843899097/?opaqueCursor=AbqPuM-hYVOzK8YnmVVx-Pb6RHtUXq7Fp1xcWOnqk1OKAV4kEIUJSI1DU7Gb30\\_AnTPQVUUXzwSTF7ruceRiah](https://www.facebook.com/coffeepartnerforyourbusiness/photos/p.1895287843899097/1895287843899097/?opaqueCursor=AbqPuM-hYVOzK8YnmVVx-Pb6RHtUXq7Fp1xcWOnqk1OKAV4kEIUJSI1DU7Gb30_AnTPQVUUXzwSTF7ruceRiah). (Sep. 26, 2018).

<https://www.instagram.com/p/Bo1ifLzCBT>. (Undated, 1.1.20).

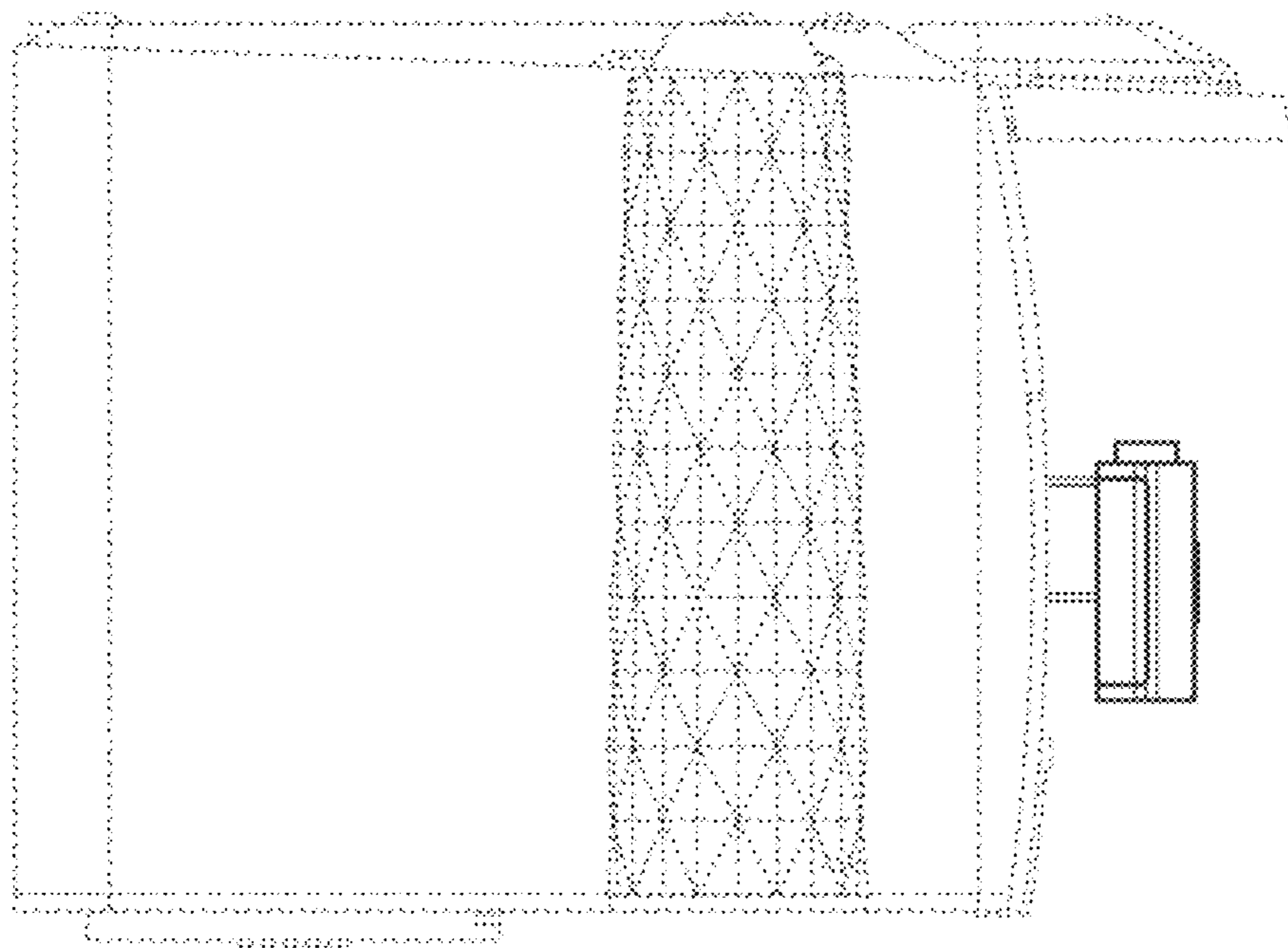
<https://www.instagram.com/p/BobJ7WRjYtv/>. (Undated, 1.1.20).

\* cited by examiner

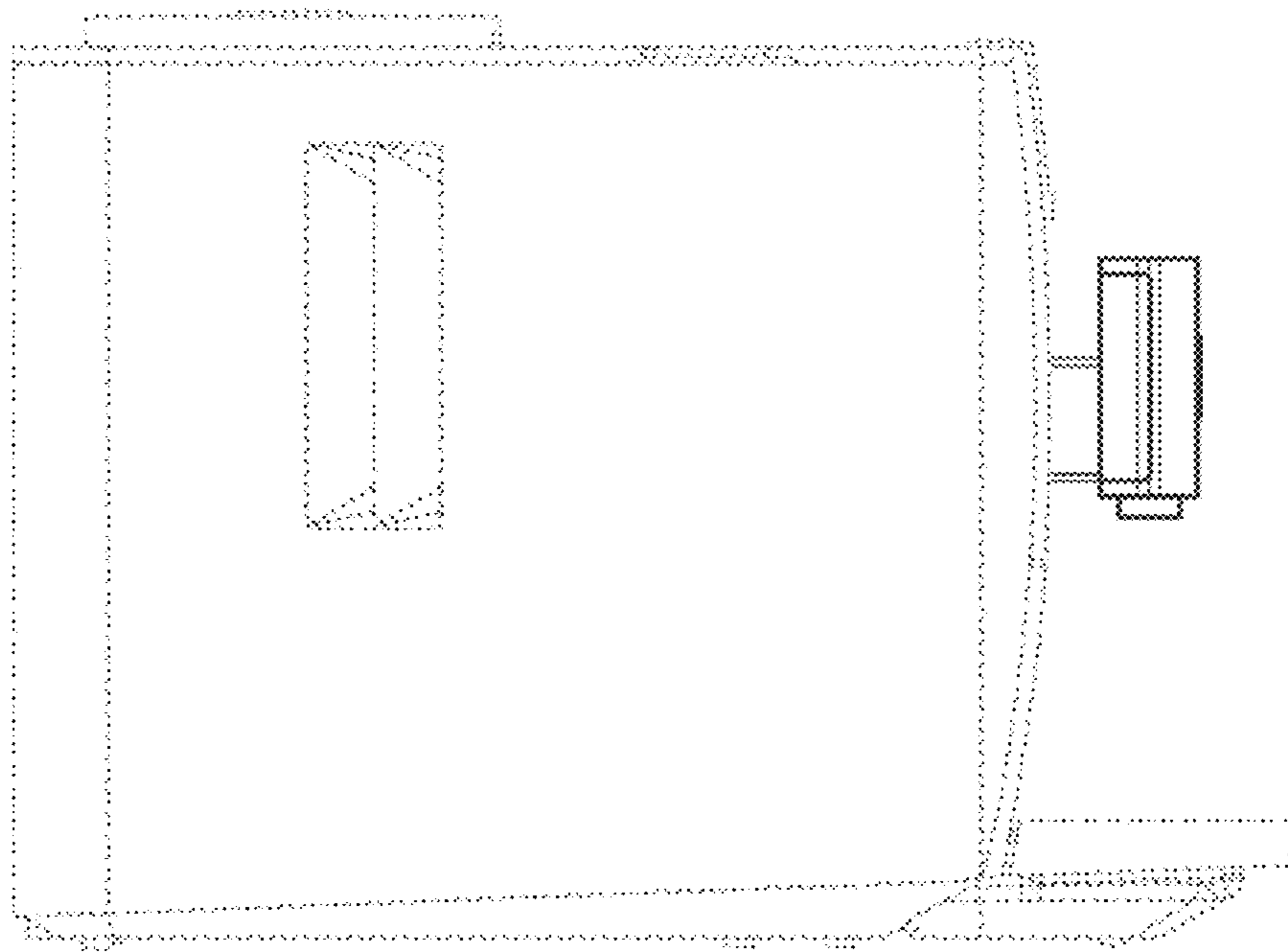
Fig. 1



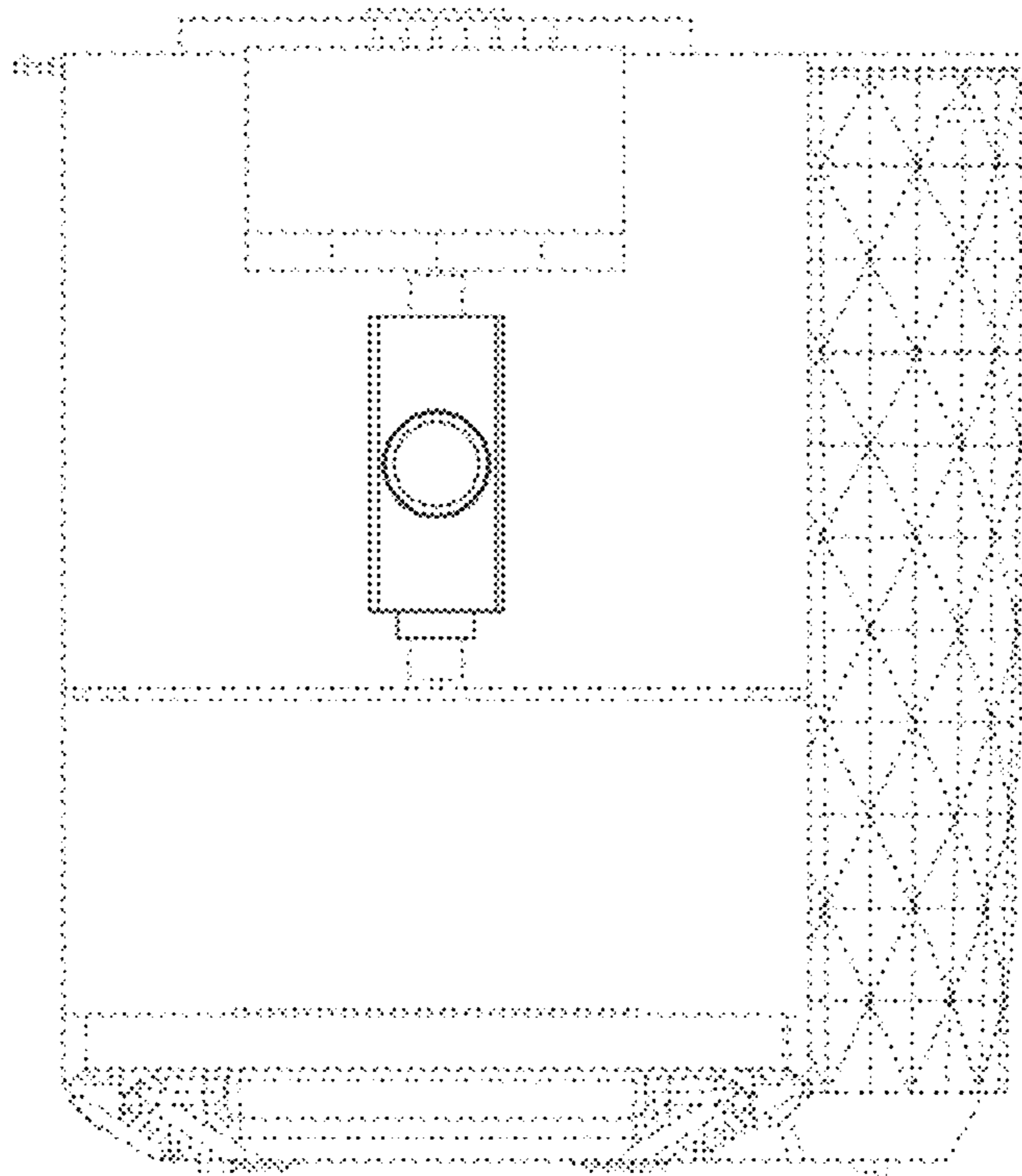
1.2



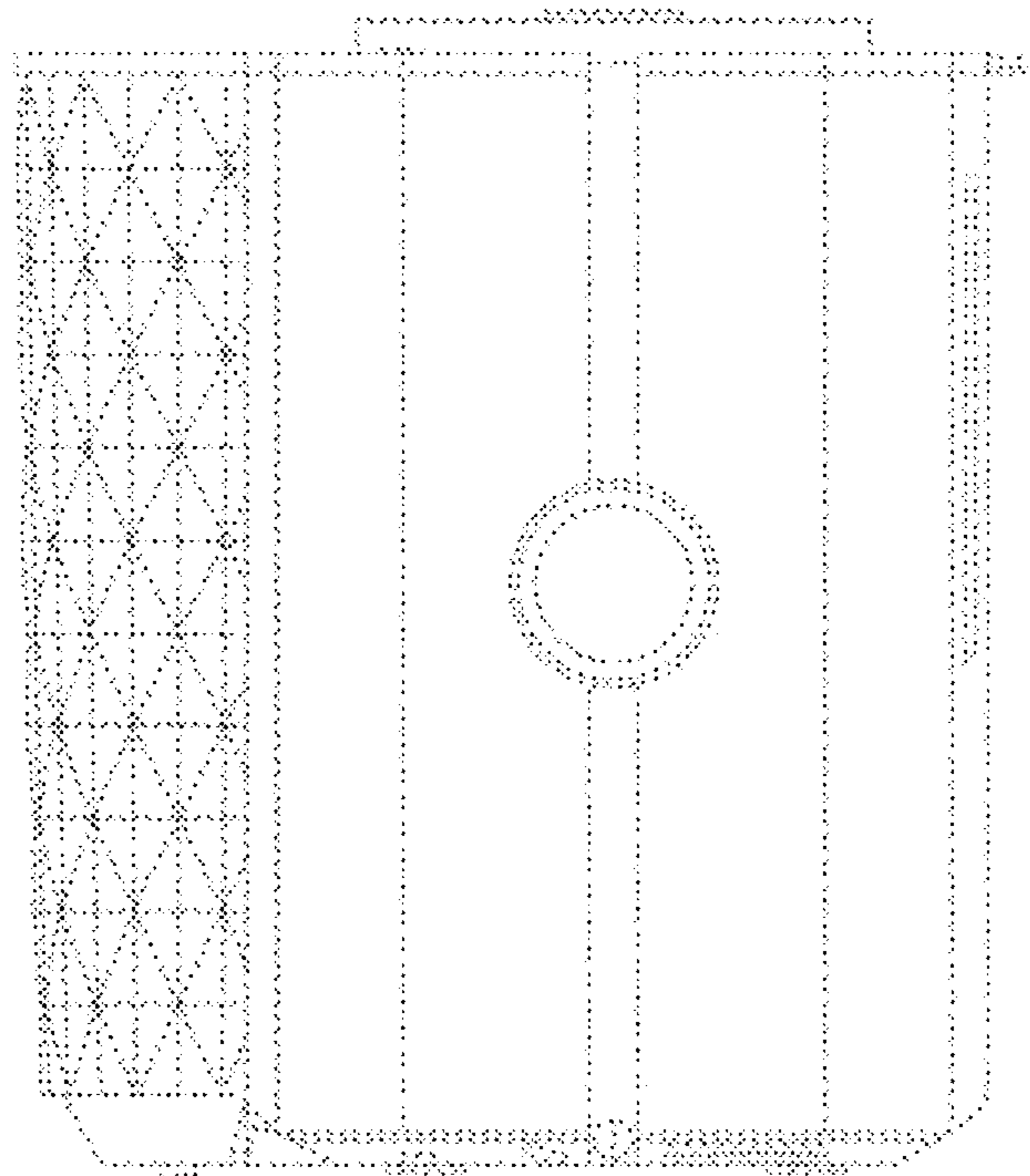
1.3



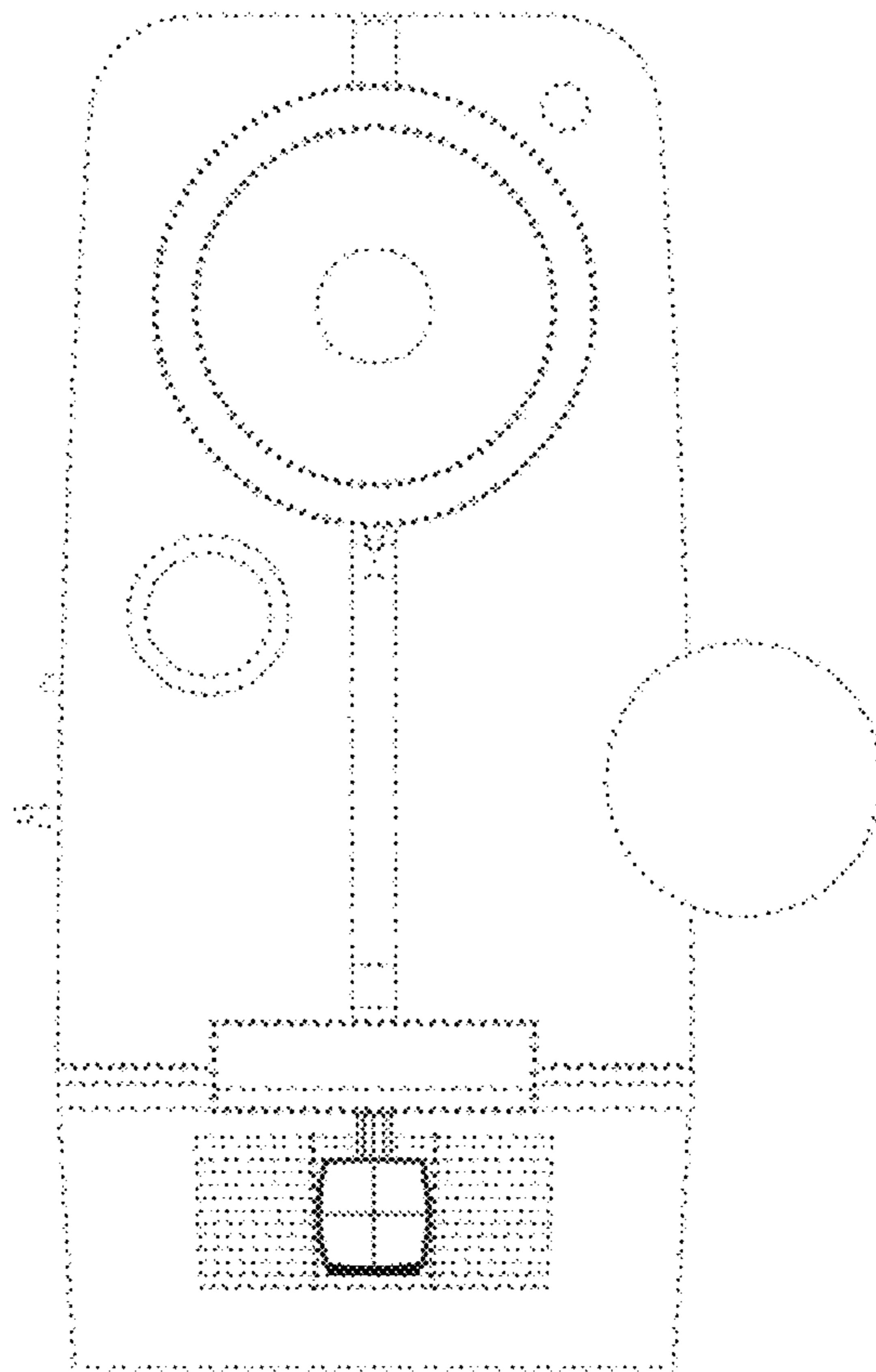
1.4



1.5



1.6





1.7

