



US00D940489S

(12) **United States Design Patent**
Lefkowitz

(10) **Patent No.:** **US D940,489 S**
(45) **Date of Patent:** **** Jan. 11, 2022**

(54) **DECANTER**
(71) Applicant: **Godinger Silver Art Ltd.**, Ridgewood,
NY (US)
(72) Inventor: **Chaim Lefkowitz**, Brooklyn, NY (US)
(**) Term: **15 Years**
(21) Appl. No.: **29/761,431**

2,749,727 A * 6/1956 Fabro A47G 23/0233
D7/515
D205,365 S * 7/1966 Ferri et al. D21/574
D207,408 S * 4/1967 Levin et al. D7/515
4,408,410 A * 10/1983 A'Costa F41A 21/00
D22/104
4,575,352 A * 3/1986 Matsuda A63H 3/16
446/376
D297,344 S * 8/1988 Ruger D22/104
D297,554 S * 9/1988 DeHart D22/104
(Continued)

(22) Filed: **Dec. 9, 2020**
(51) **LOC (13) Cl.** **09-01**
(52) **U.S. Cl.**
USPC **D7/301**; D9/680
(58) **Field of Classification Search**
USPC D3/202, 270, 271.1; D7/301–303,
D7/509–511, 514, 515, 594, 598, 599,
D7/604, 613, 619.2, 623, 628; D9/600,
D9/680, 516, 523, 544; D11/44, 48, 81,
D11/157; D21/468, 567, 570, 572–575;
D22/100, 104
CPC B65D 5/42; B65D 5/4208; B65D 5/4258;
B65D 81/00; B65D 81/36; B65D 81/365;
B65D 81/366; B65D 81/368; B65D
2203/00; B65D 2203/02; B65D 77/00;
B65D 67/00; A63H 33/16
See application file for complete search history.

OTHER PUBLICATIONS

CHRON “Weapon-shaped liquor bottles popular with collectors”
(online) posted by Emma Perez-Trevino on Jan. 29, 2012. Retrieved
from Internet on Sep. 11, 2021, URL: [https://www.chron.com/news/
article/Weapon-shaped-liquor-bottles-popular-with-2807613.php](https://www.chron.com/news/article/Weapon-shaped-liquor-bottles-popular-with-2807613.php) (7
pages).*

(Continued)

Primary Examiner — Wendy L Arminio
(74) *Attorney, Agent, or Firm* — Bochner IP, PLLC;
Andrew D. Bochner

(57) **CLAIM**

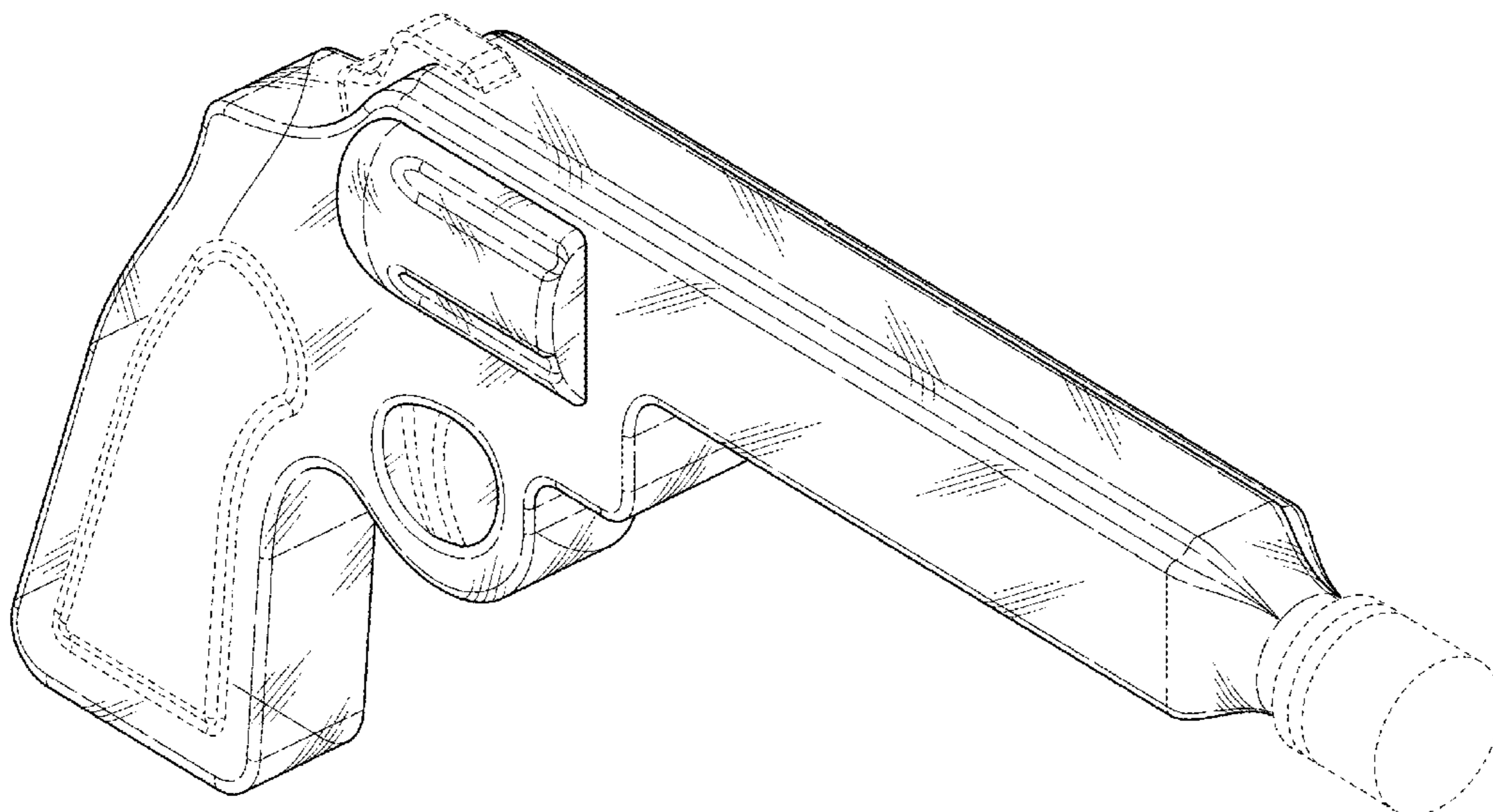
The ornamental design for a decanter, as shown and
described.

DESCRIPTION

FIG. 1 is a front perspective view of the decanter;
FIG. 2 is a front view thereof;
FIG. 3 is a rear view thereof;
FIG. 4 is a left side view thereof;
FIG. 5 is a right side view thereof;
FIG. 6 is a top view thereof; and,
FIG. 7 is a bottom view thereof.
In the drawings, the broken lines are for the purpose of
illustrating environment only, and form no part of the
claimed design.

1 Claim, 5 Drawing Sheets

(56) **References Cited**
U.S. PATENT DOCUMENTS
D18,718 S * 11/1888 Bloomingdale D9/680
D37,941 S * 4/1906 Rogers D21/574
1,467,918 A * 9/1923 Bixler F41C 3/06
42/54
1,488,046 A * 3/1924 Hartman F41C 3/06
42/54
1,718,247 A * 6/1929 McWhirter F41C 3/06
42/54
D115,532 S * 7/1939 Stough D9/680
D132,661 S * 6/1942 Brubaker D21/574



(56)

References Cited

U.S. PATENT DOCUMENTS

4,769,936 A * 9/1988 Miller F41A 17/74
 42/66
 4,970,819 A * 11/1990 Mayhak F41A 17/066
 D22/104
 D410,383 S * 6/1999 Tarashchansky D9/680
 D428,467 S * 7/2000 Petrosyan D22/100
 D617,147 S * 6/2010 White D7/515
 D637,254 S 5/2011 Uedelhoven
 D707,781 S 6/2014 Tusting et al.
 D710,210 S 8/2014 Tussy
 D719,783 S * 12/2014 Eubank D7/515
 D720,806 S * 1/2015 Knirr D8/38
 D777,523 S * 1/2017 Beers D7/594
 D889,893 S 7/2020 Godinger
 D914,425 S * 3/2021 Singh D7/301

OTHER PUBLICATIONS

Trend Hunter “Decorative Firearm Decanters: Glass Hand Gun Bottle” (online) posted by Gil Haddi on Dec. 20, 2012. Retrieved

from Internet on Sep. 11, 2021, URL: <https://www.trendhunter.com/trends/glass-hand-gun-bottle> (1 page).*

Amazon.com “ShotsClub Gun Whiskey Decanter and Glass Set” (online) avail. Jul. 9, 2018. Ret. on Sep. 11, 2021, URL: https://www.amazon.com/ShotsClub-Party-Decanter-Shot-Glasses/dp/B07F1ZMP4S/ref=as_li_ss_tl?ie=UTF8&linkCode=sll1&tag=giftobserv0ed-20&linkId=e6a004171e2c9930c509fef138f98f12&language=en_US&th=1 (7 pages).*

Amazon.com “Pistol Gun Liquor Decanter and Bullet Shot Glasses (by Godinger)” (online) first available Aug. 24, 2020. Retrieved from Internet on Sep. 11, 2021, URL: <https://www.amazon.com/Pistol-Decanter-Glasses-Whiskey-Bourbon/dp/B08GL1V7KP> (10 pages).*

The Diamond Glassware “Gun Whiskey Decanter Set, 100ML” (online) earliest customer review dated Oct. 14, 2020. Retrieved from Internet on Sep. 11, 2021, URL: <https://thediamondglassware.com/products/gun-whiskey-decanter-100ml> (4 pages).*

Gadgetify “Pistol Decanter with 4 Shot Glasses for Your Drinks” (online) posted by Gadget Junkie on Nov. 27, 2020. Retrieved from Internet on Sep. 11, 2021, URL: <https://www.gadgetify.com/pistol-gun-decanter/> (2 pages).*

* cited by examiner

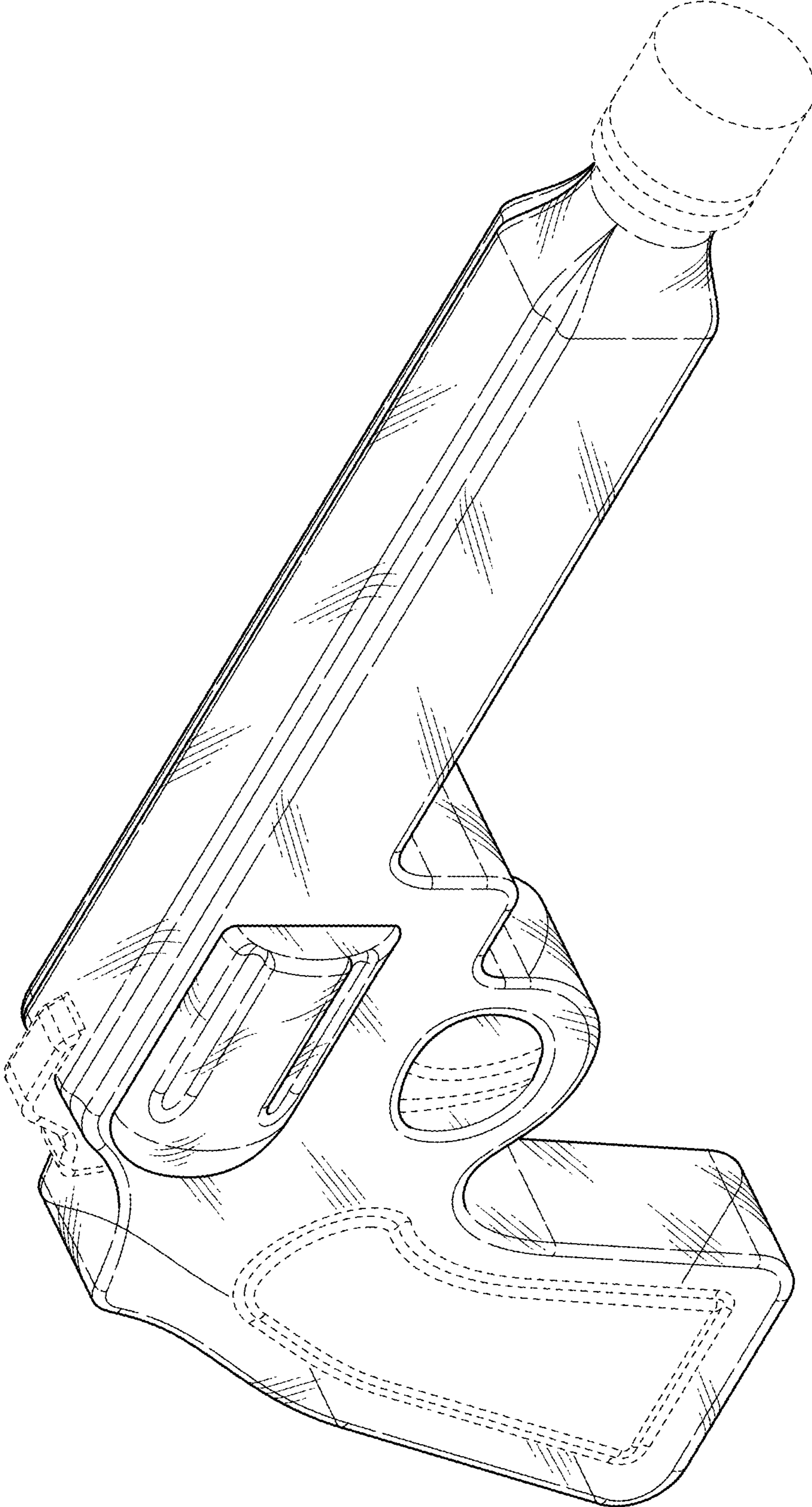


FIG. 1

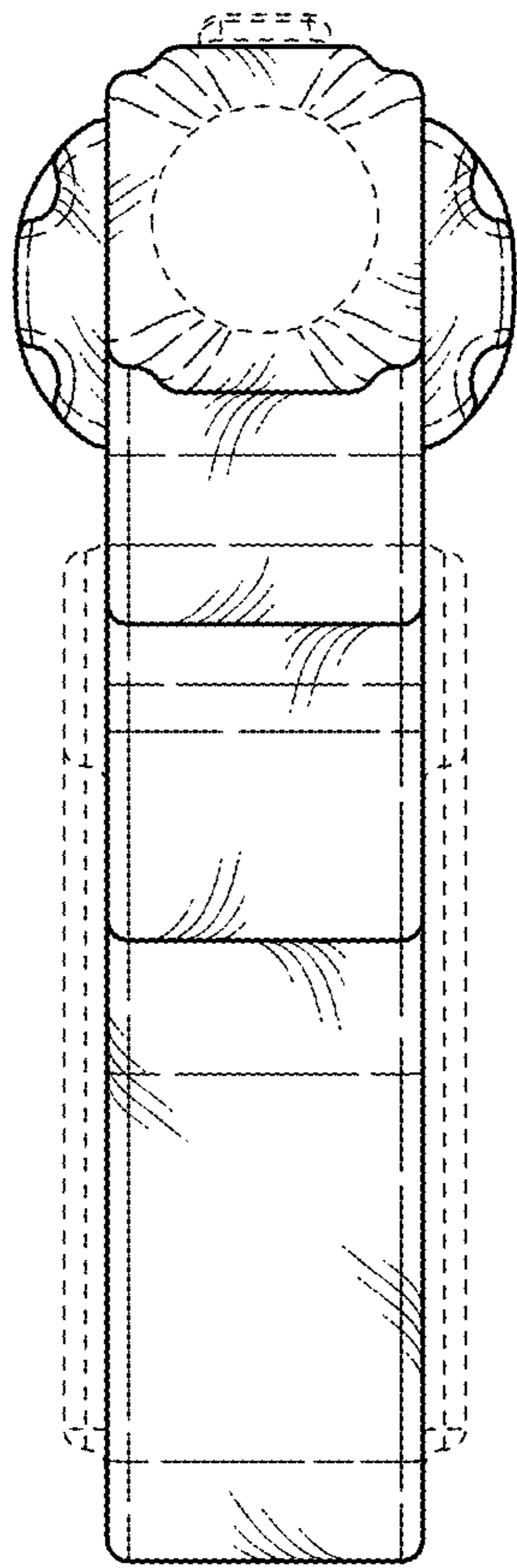


FIG. 2

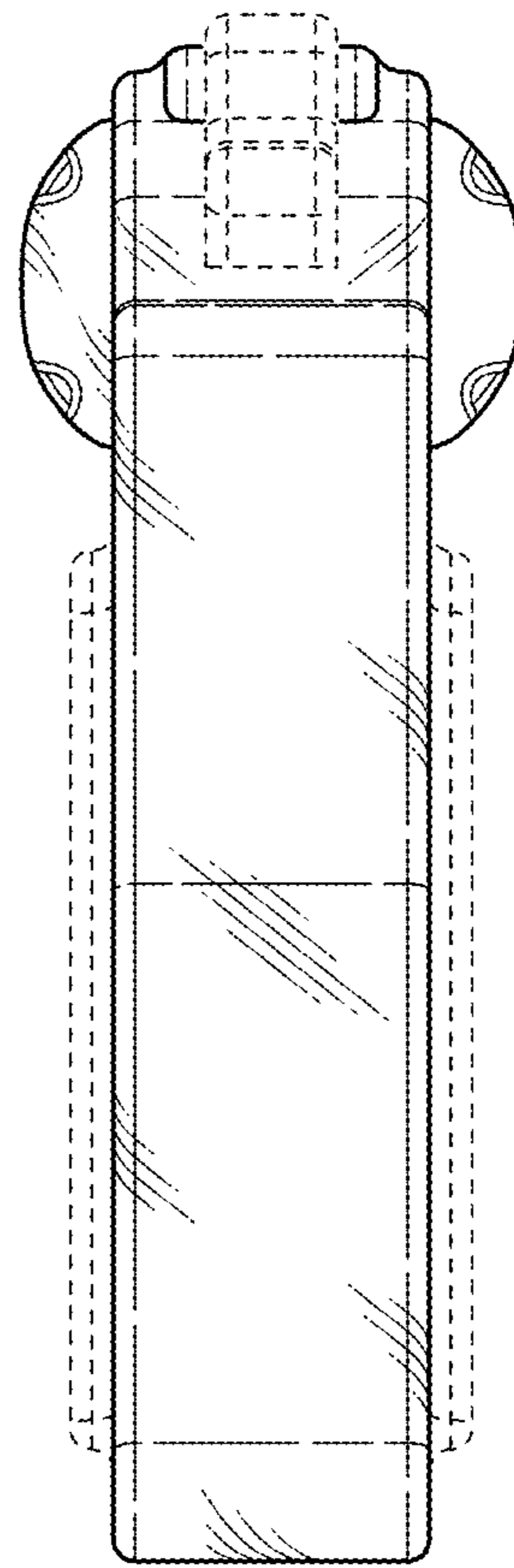


FIG. 3

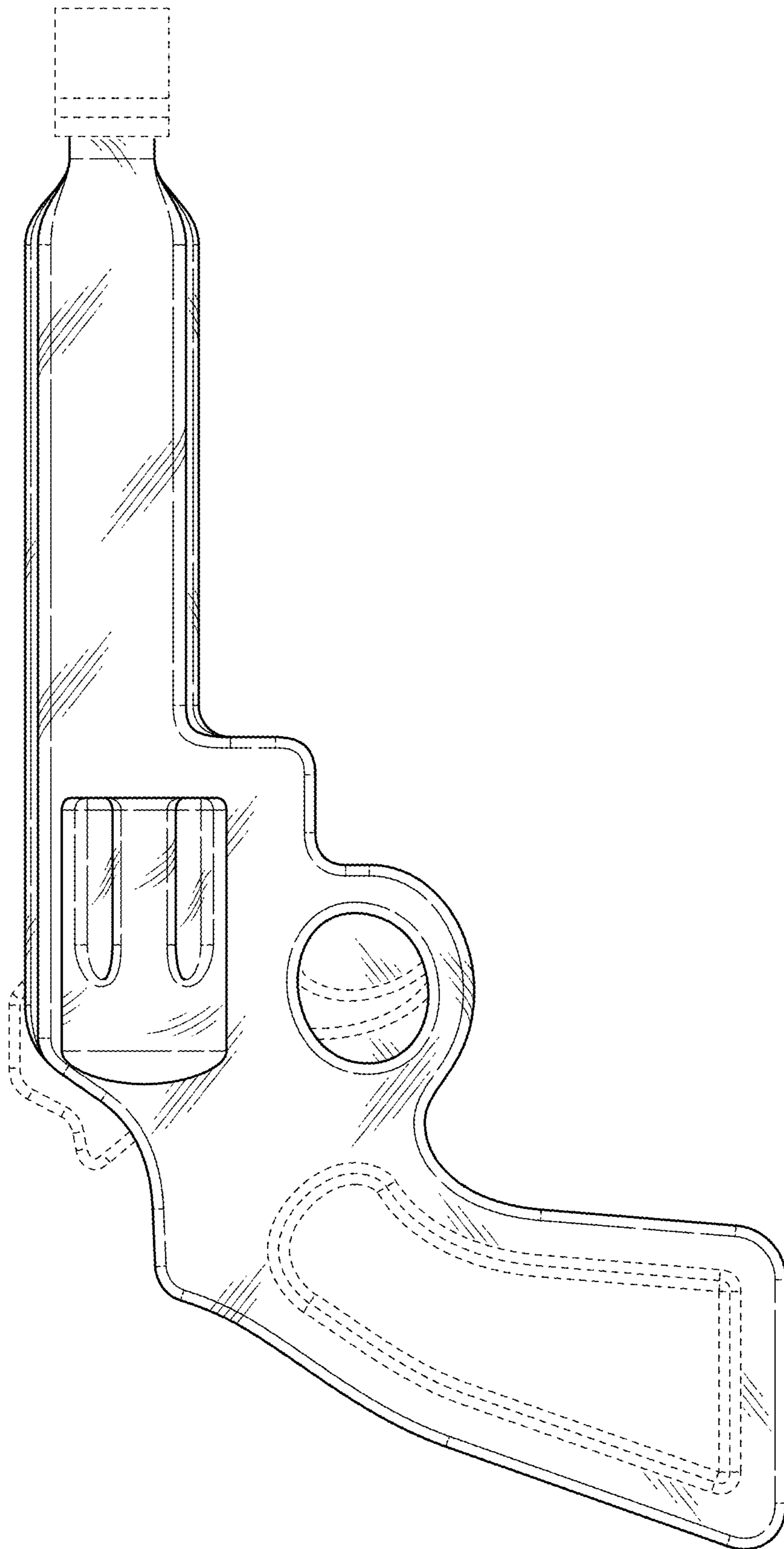


FIG. 4

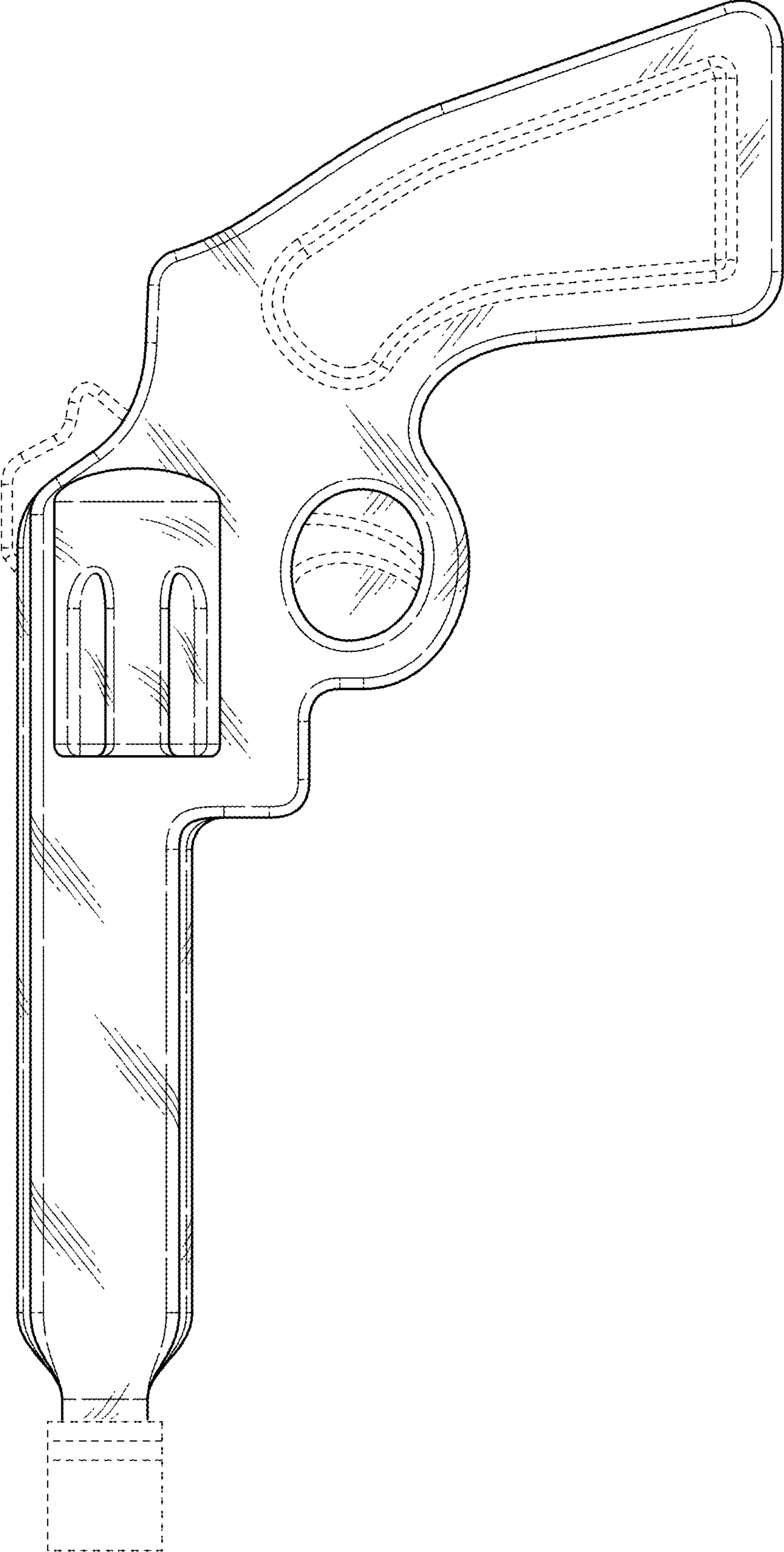


FIG. 5

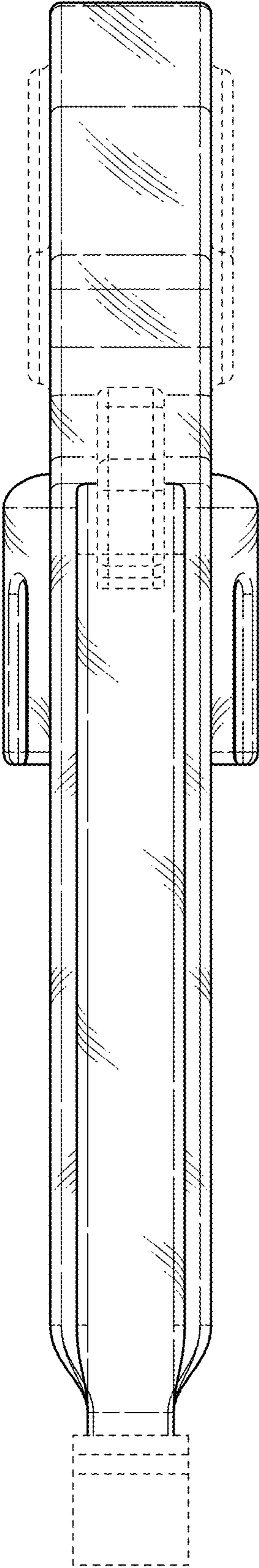


FIG. 6

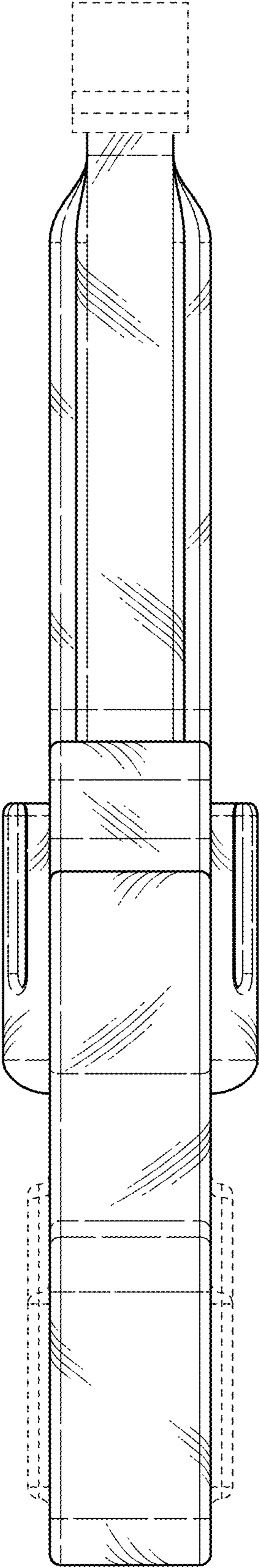


FIG. 7