

US00D940488S

(12) **United States Design Patent**
Tsai

(10) **Patent No.:** **US D940,488 S**
(45) **Date of Patent:** **** Jan. 11, 2022**

- (54) **FOOT RING FOR A CHAIR**
- (71) Applicant: **FUSCO INDUSTRIAL CORPORATION, Taipei (TW)**
- (72) Inventor: **Chen-Yu Tsai, Taipei (TW)**
- (73) Assignee: **FUSCO INDUSTRIAL CORPORATION, Taipei (TW)**
- (**) Term: **15 Years**
- (21) Appl. No.: **29/718,973**
- (22) Filed: **Dec. 30, 2019**
- (51) **LOC (13) Cl.** **06-01**
- (52) **U.S. Cl.**
USPC **D6/716.6; D6/708.25**
- (58) **Field of Classification Search**
USPC D6/334-336, 364, 365, 366, 367, 374,
D6/379, 716, 716.1, 716.4, 708.23,
D6/708.24, 708.25, 716.6
CPC A47C 7/004; A47C 7/006; A47C 7/18;
A47C 7/24; A47C 7/40; A47C 4/44;
A47C 9/007; A47C 7/50; A47C 7/506;
A47C 7/5064; A47C 3/18; A47C 3/20;
A47C 3/24
See application file for complete search history.

(56) **References Cited**

U.S. PATENT DOCUMENTS

- D261,078 S * 10/1981 Wilson D6/360
- D283,762 S * 5/1986 Caruso D6/335
- D439,066 S * 3/2001 Hannes D6/366

- D488,630 S * 4/2004 McCann D6/360
- 7,229,054 B2 * 6/2007 Hu A47C 7/004
248/188.1
- D693,618 S * 11/2013 Lenterman D6/716.6
- 9,084,486 B1 * 7/2015 Richardson A47C 7/006
- 9,144,315 B1 * 9/2015 Cheng A47C 7/5064
- D797,483 S * 9/2017 Su D6/708.25
- D829,031 S * 9/2018 Izawa D6/708.23
- 10,524,573 B2 * 1/2020 Richardson A47C 7/00
- 10,925,403 B1 * 2/2021 Su A47C 7/004
- 11,096,494 B1 * 8/2021 Tsai A47C 7/5064

* cited by examiner

Primary Examiner — Mimosa De

(74) *Attorney, Agent, or Firm* — Lin & Associates
Intellectual Property, Inc.

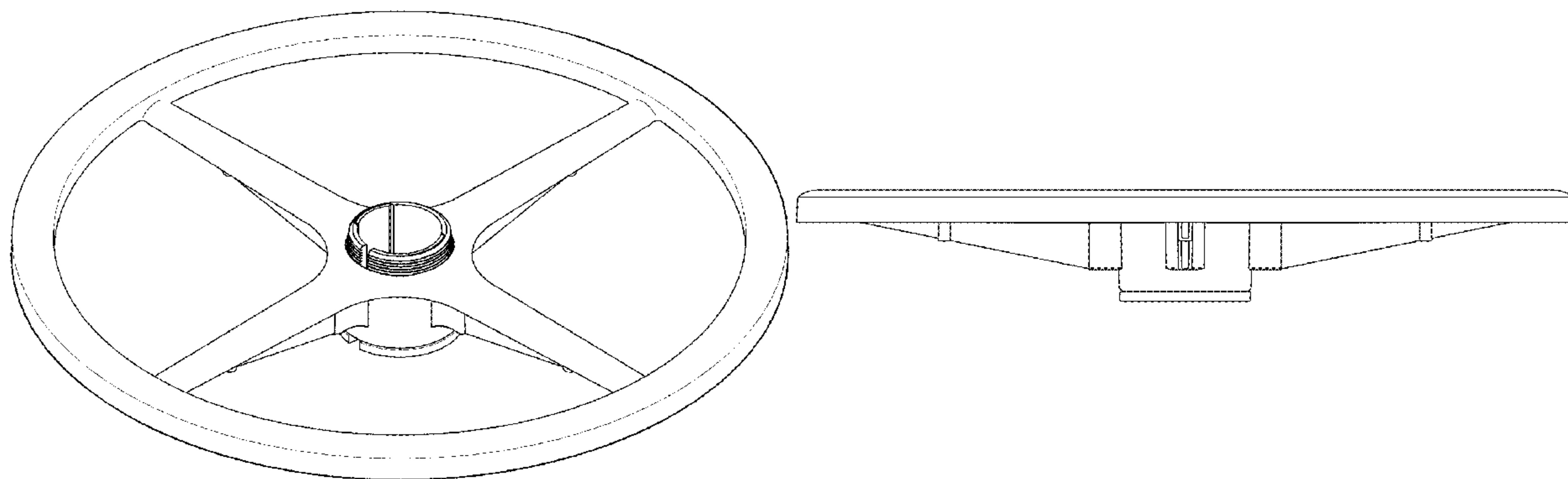
(57) **CLAIM**

The ornamental design for a foot ring for a chair, as shown and described.

DESCRIPTION

FIG. 1 is a perspective view of a foot ring for a chair showing my new design;
 FIG. 2 is a front elevational view thereof;
 FIG. 3 is a rear elevational view thereof;
 FIG. 4 is a left elevational view thereof;
 FIG. 5 is a right elevational view thereof;
 FIG. 6 is a top view thereof;
 FIG. 7 is a bottom view thereof;
 FIG. 8 is a perspective view from another direction of the foot ring for a chair; and,
 FIGS. 9-16 are respective views corresponding to FIGS. 1-8 for another embodiment of the foot ring for a chair.

1 Claim, 12 Drawing Sheets



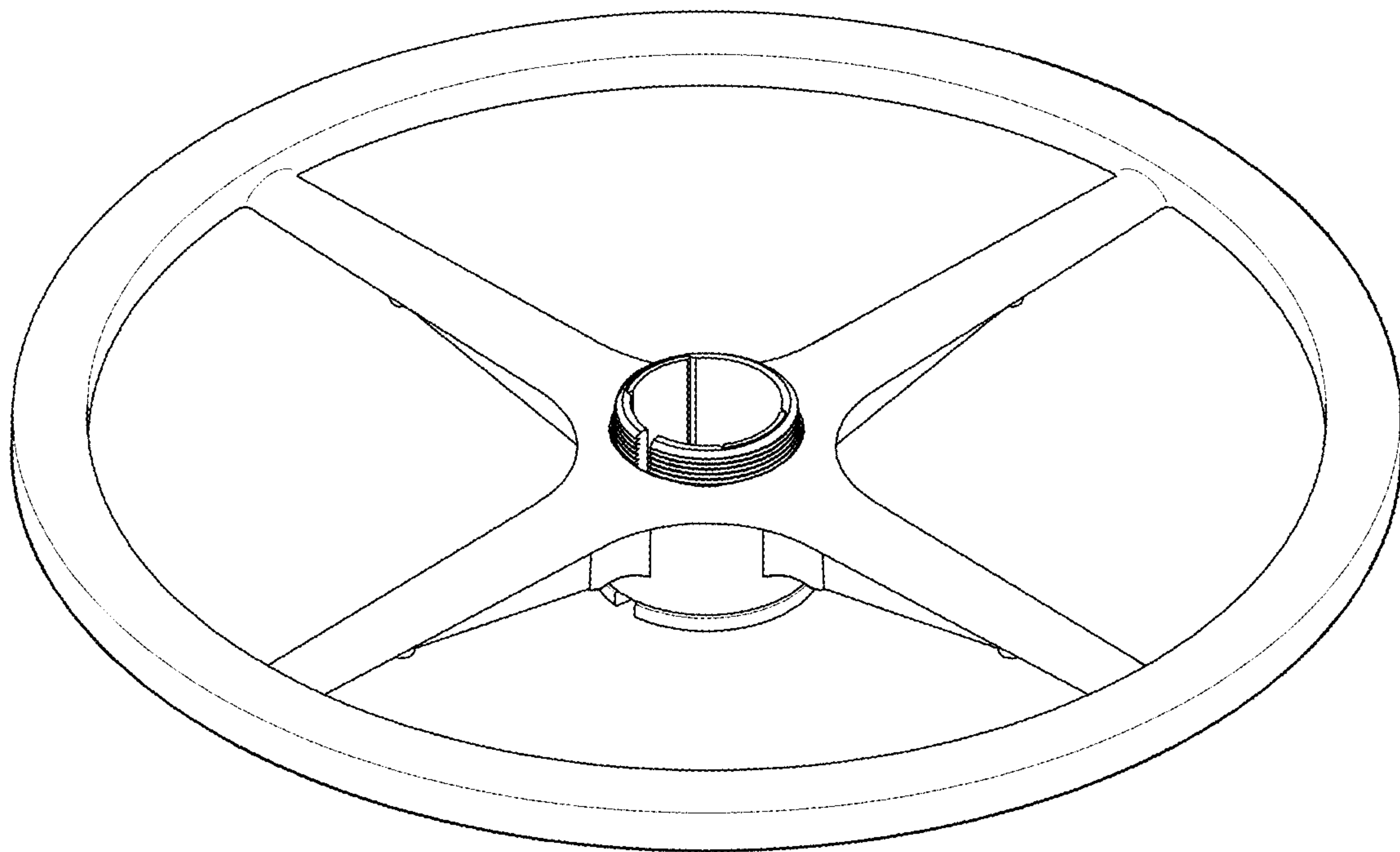


FIG. 1

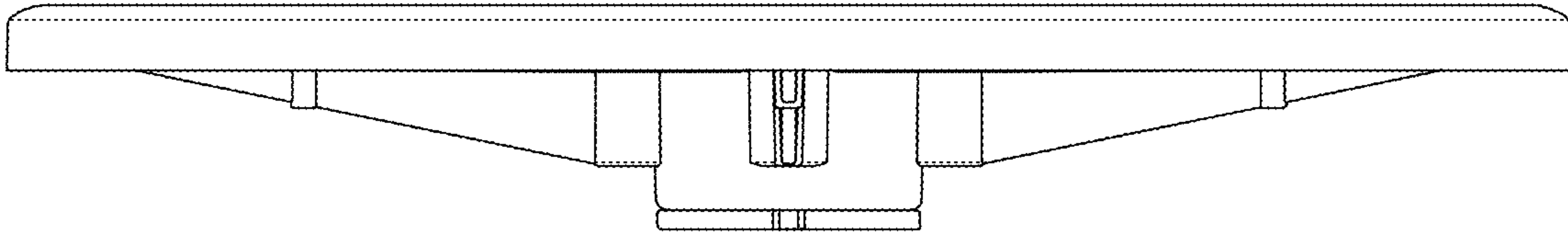


FIG. 2

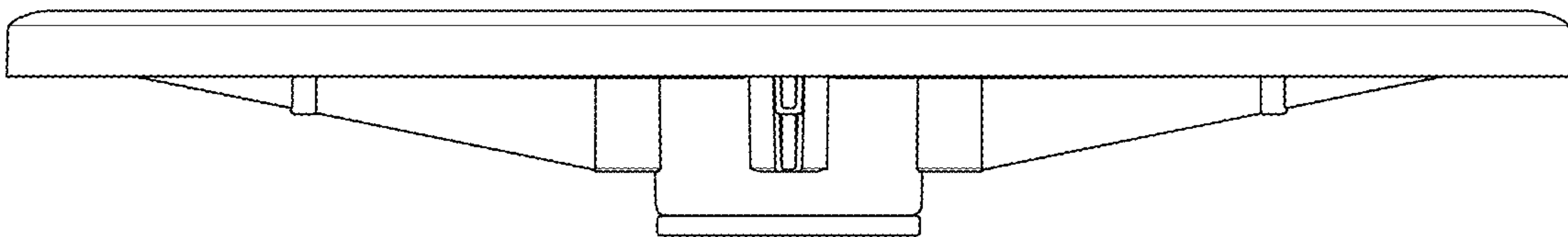


FIG. 3

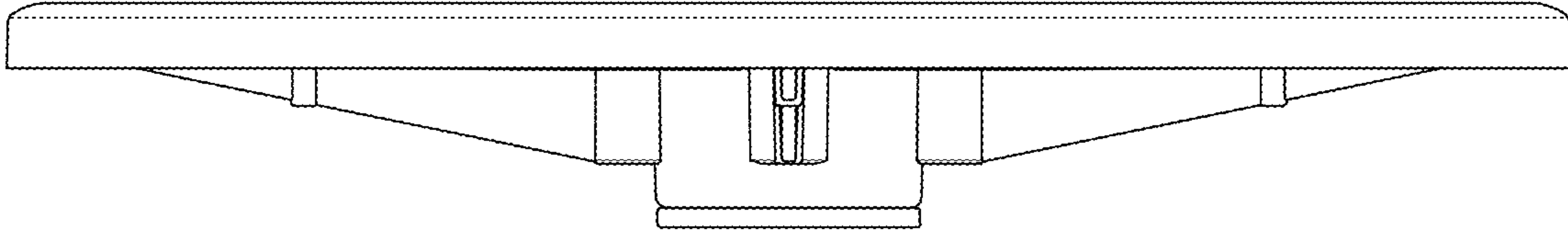


FIG. 4

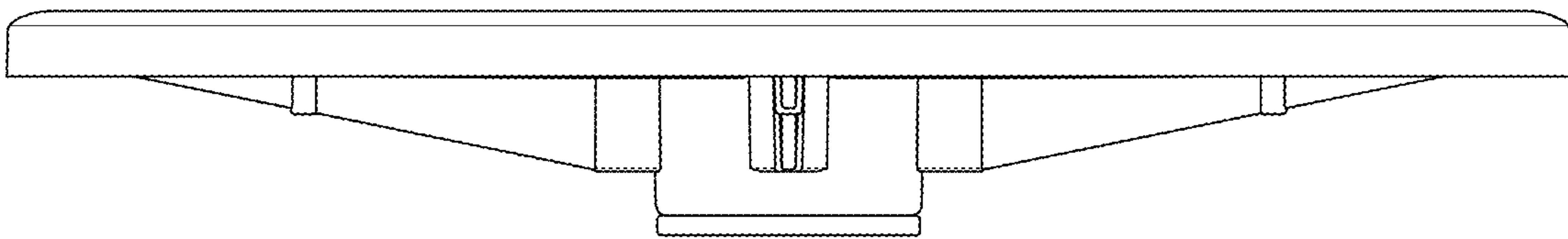


FIG. 5

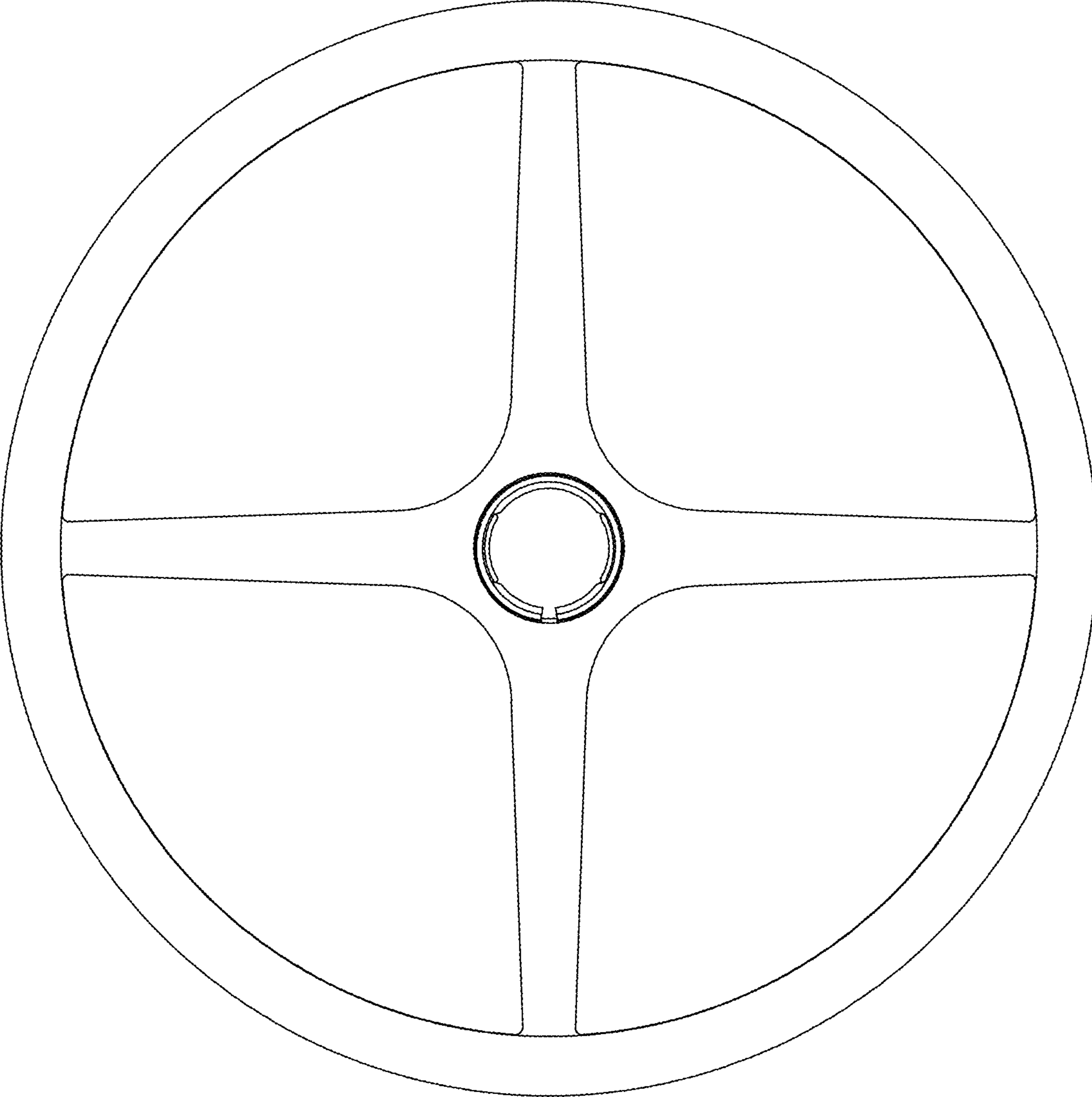


FIG. 6

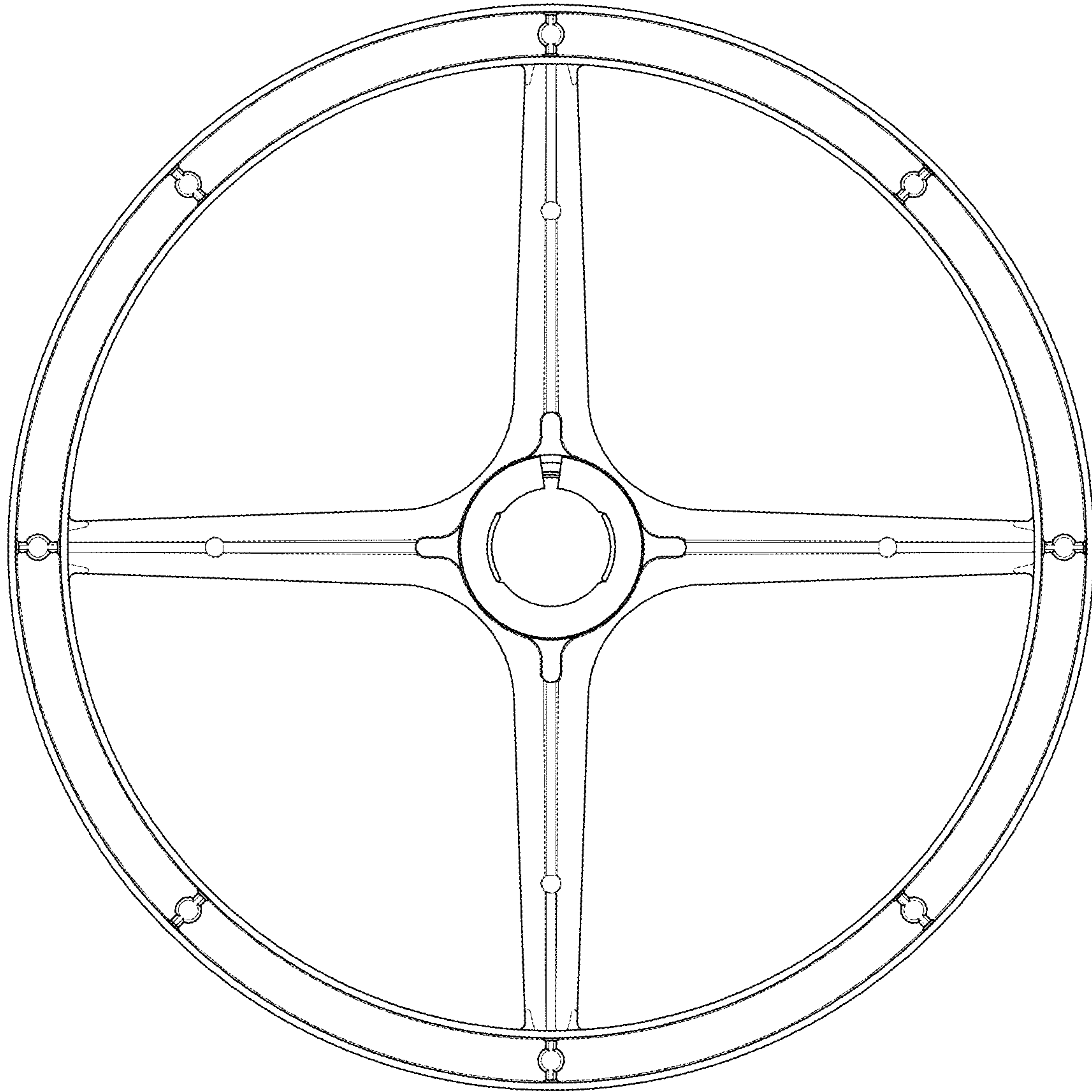


FIG. 7

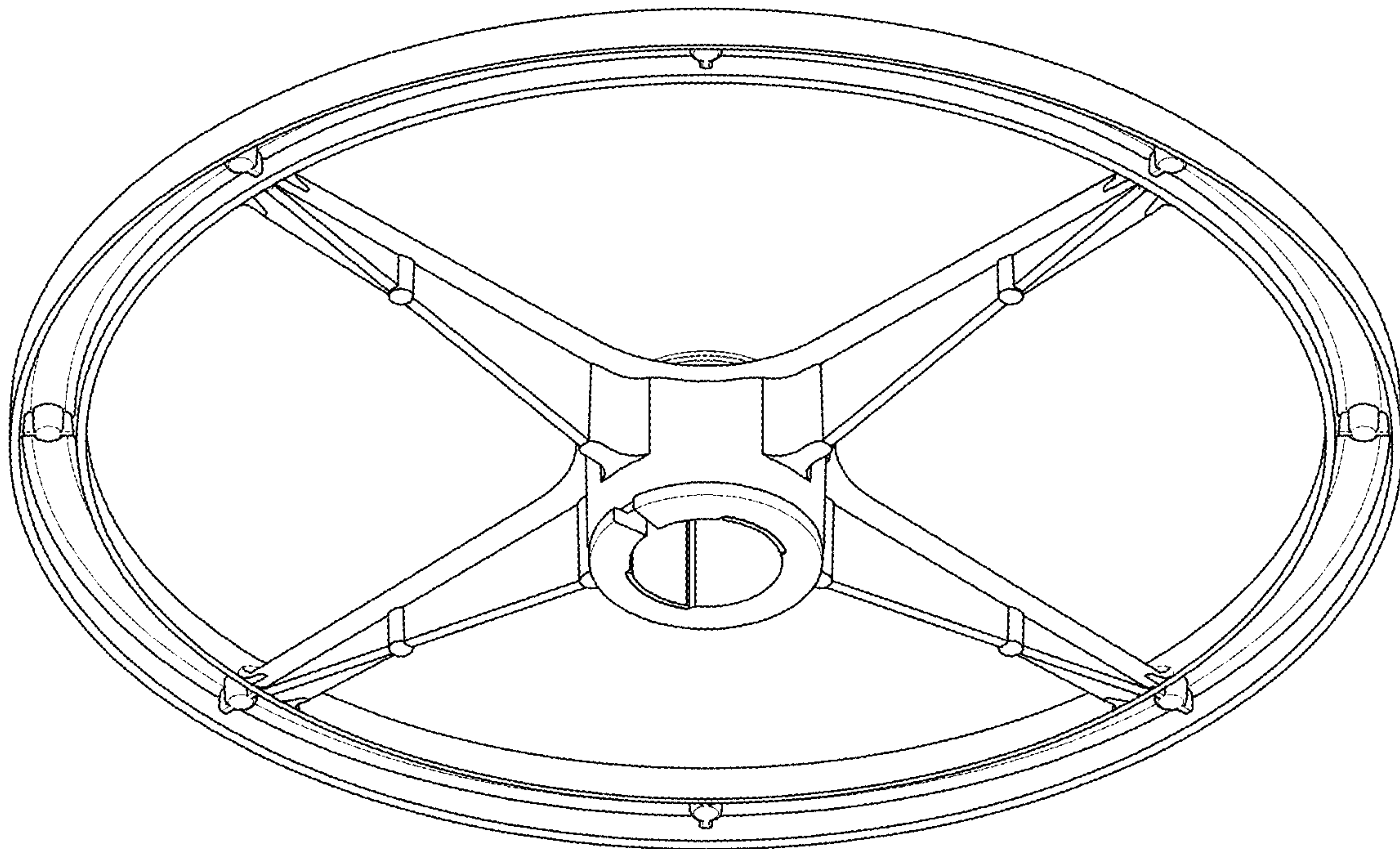


FIG. 8

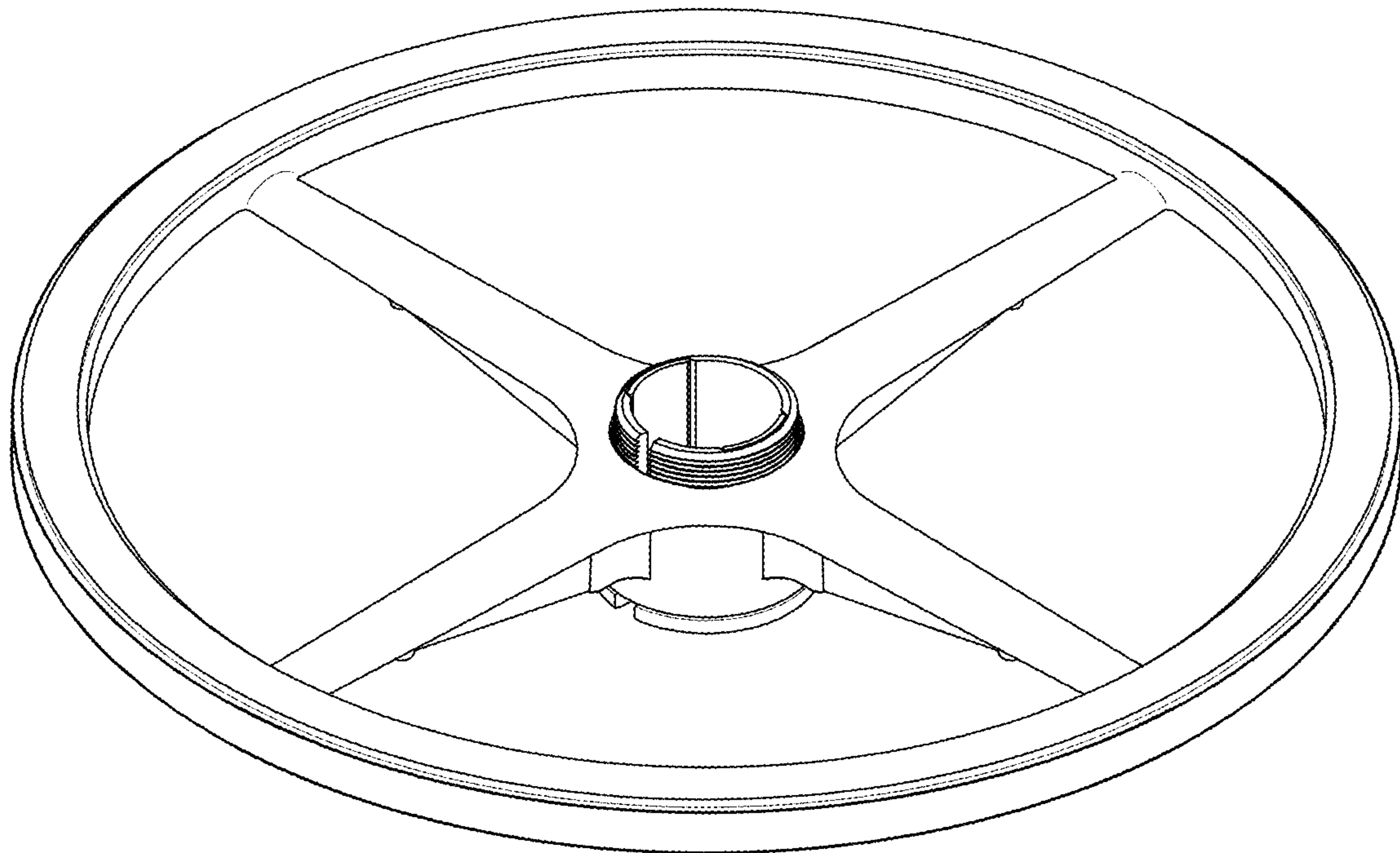


FIG. 9

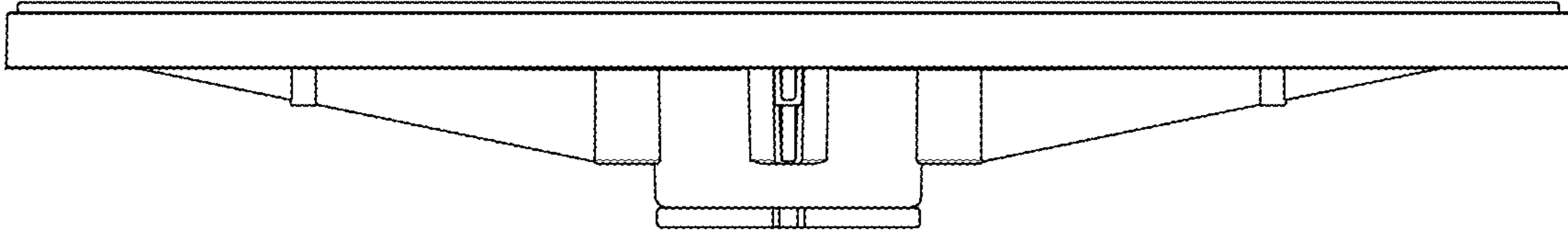


FIG. 10

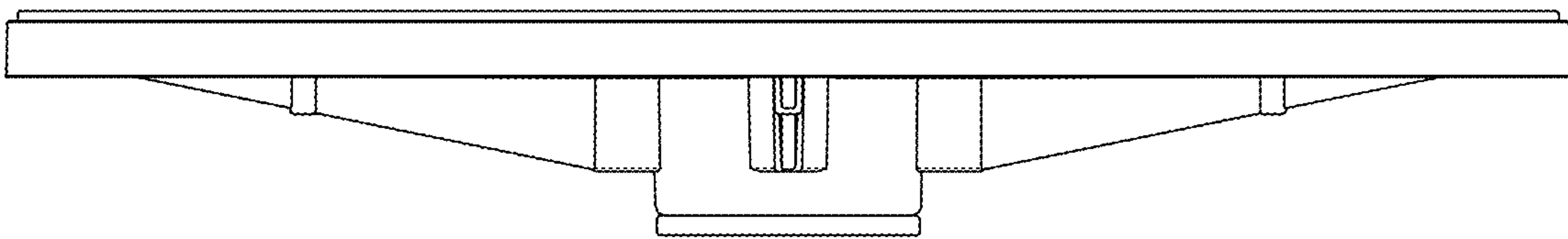


FIG. 11

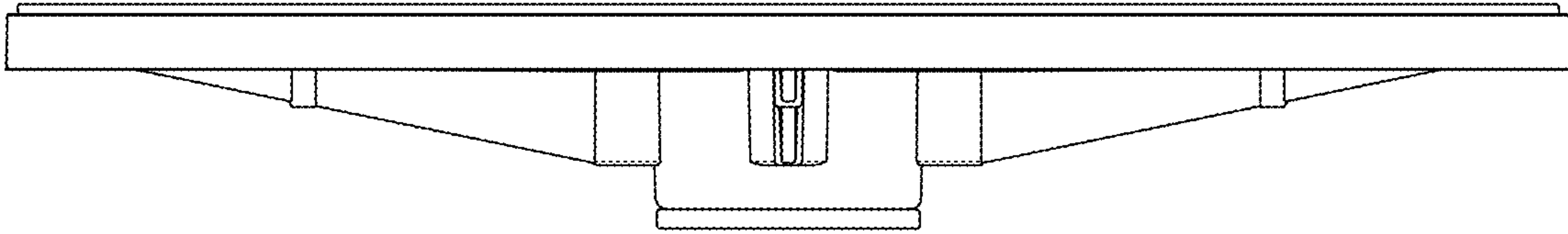


FIG. 12

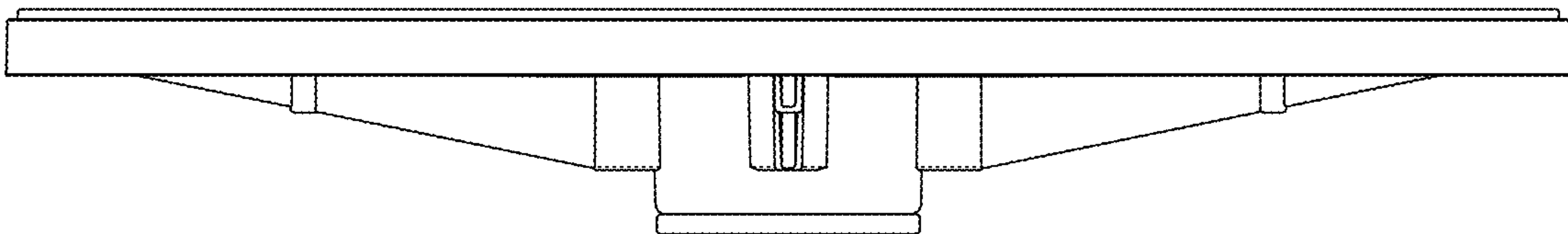


FIG. 13

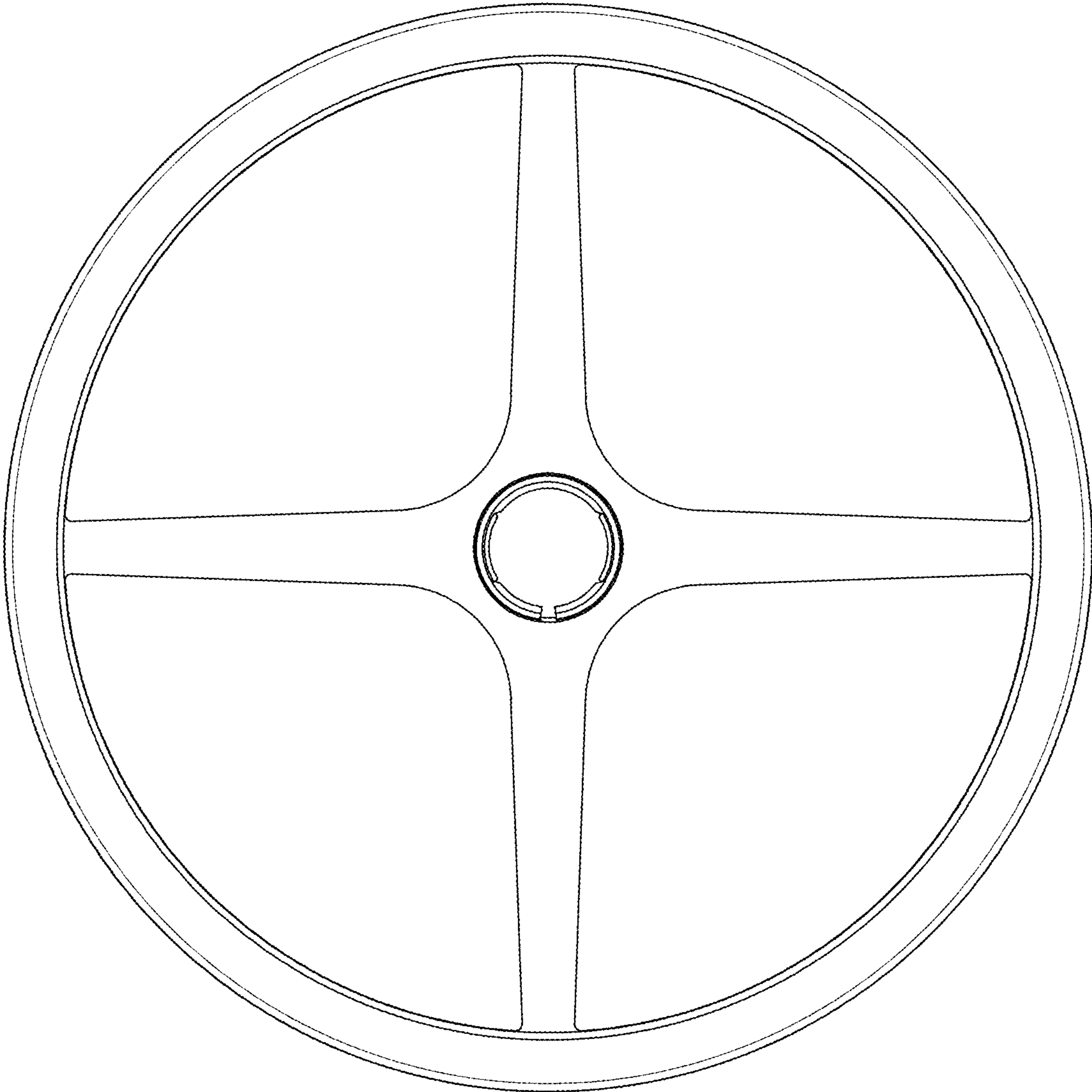


FIG. 14

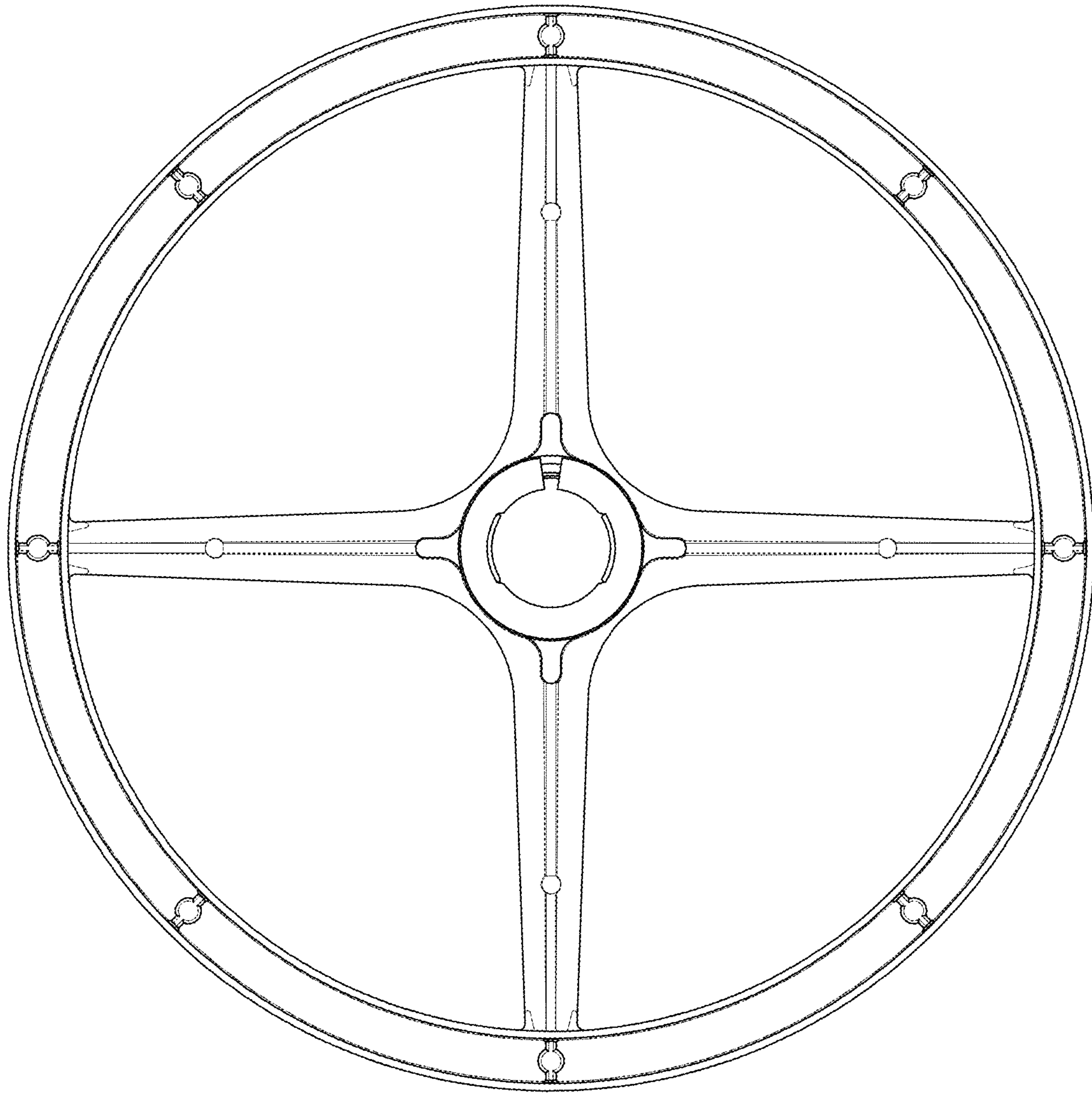


FIG. 15

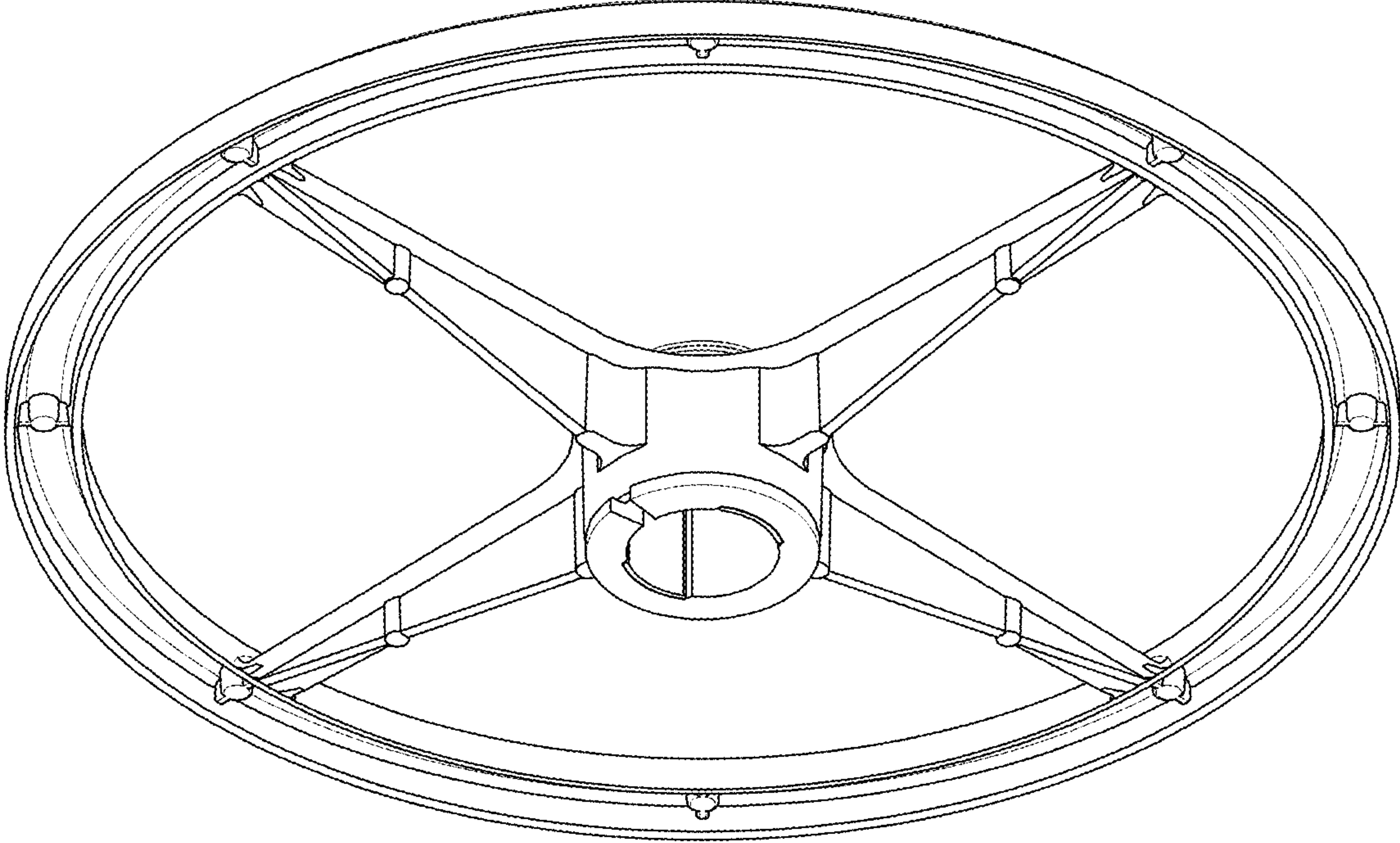


FIG. 16