



US00D940485S

(12) **United States Design Patent**  
**Zhu**

(10) **Patent No.:** **US D940,485 S**  
(45) **Date of Patent:** **\*\* Jan. 11, 2022**

(54) **CHAIR SEAT**

(71) Applicant: **Dongguan Boyi Furniture Co., Ltd.**,  
Guangdong (CN)

(72) Inventor: **Shundong Zhu**, Guangdong (CN)

(73) Assignee: **DONGGUAN BOYI FURNITURE CO., LTD.**, Dongguan (CN)

(\*\*) Term: **15 Years**

(21) Appl. No.: **29/740,280**

(22) Filed: **Jul. 2, 2020**

(30) **Foreign Application Priority Data**

Feb. 17, 2020 (CN) ..... 202030053014.6

(51) **LOC (13) Cl.** ..... **06-01**

(52) **U.S. Cl.**  
USPC ..... **D6/716**

(58) **Field of Classification Search**

USPC ..... D6/334, 356, 361, 366, 367, 374, 375,  
D6/378, 380, 381, 716, 716.1, 716.4  
CPC ..... A47C 3/0257; A47C 3/16; A47C 3/18;  
A47C 3/20; A47C 3/26; A47C 1/02;  
A47C 1/03255; A47C 7/18; A47C 7/24;  
A47C 7/29; A47C 7/36; A47C 7/38;  
A47C 7/40; A47C 7/46; A47C 7/54;  
A47C 7/282; A47C 11/00

See application file for complete search history.

(56) **References Cited**

**U.S. PATENT DOCUMENTS**

D195,770 S \* 7/1963 Isola ..... D6/367  
D233,808 S \* 12/1974 Arlesheim ..... D6/366

D276,481 S \* 11/1984 Helmholtz ..... D6/366  
D277,443 S \* 2/1985 Murry ..... D6/366  
D309,383 S \* 7/1990 Muller-Deisig ..... D6/366  
5,630,650 A \* 5/1997 Peterson ..... A47C 7/402  
297/284.1  
6,193,314 B1 \* 2/2001 Chiang ..... A47C 1/026  
297/301.1

**FOREIGN PATENT DOCUMENTS**

DE 4442660 A1 \* 7/1995 ..... A47C 1/026  
EP 0114600 A2 \* 8/1984 ..... A47C 1/03255  
IT 394784 A1 \* 10/1990

\* cited by examiner

*Primary Examiner* — R. Johnson

(74) *Attorney, Agent, or Firm* — Shimokaji IP

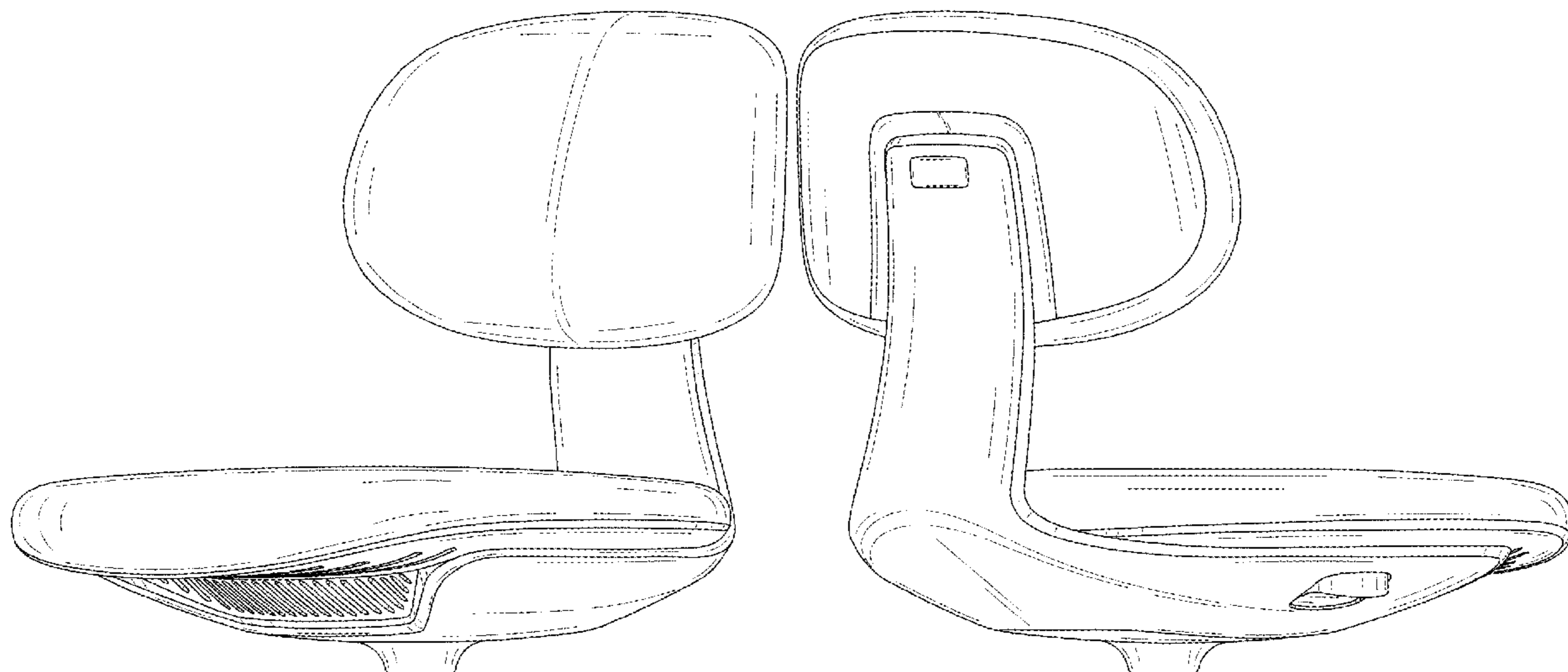
(57) **CLAIM**

The ornamental design for a chair seat, as shown and described.

**DESCRIPTION**

FIG. 1 is a front elevational view of a chair seat showing my design;  
FIG. 2 is a rear elevational view thereof;  
FIG. 3 is a left side elevational view thereof;  
FIG. 4 is a right side elevational view thereof;  
FIG. 5 is a top plan view thereof;  
FIG. 6 is a bottom plan view thereof;  
FIG. 7 is a first perspective view thereof;  
FIG. 8 is a second perspective view thereof; and  
FIG. 9 is a third perspective view thereof; and,  
FIG. 10 is a partial enlarged view taken at line 10 in FIG. 9.

**1 Claim, 10 Drawing Sheets**



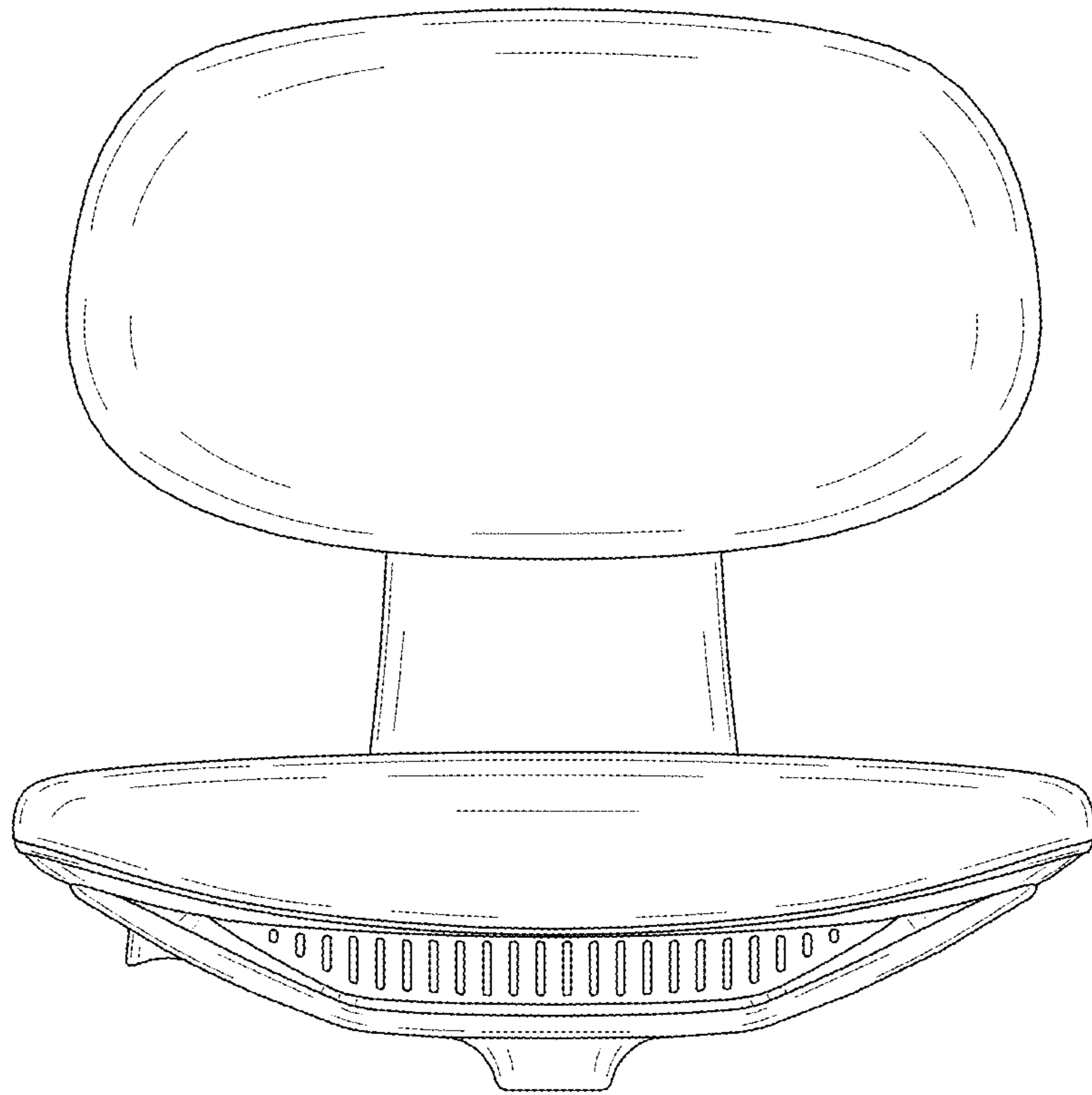


FIG. 1

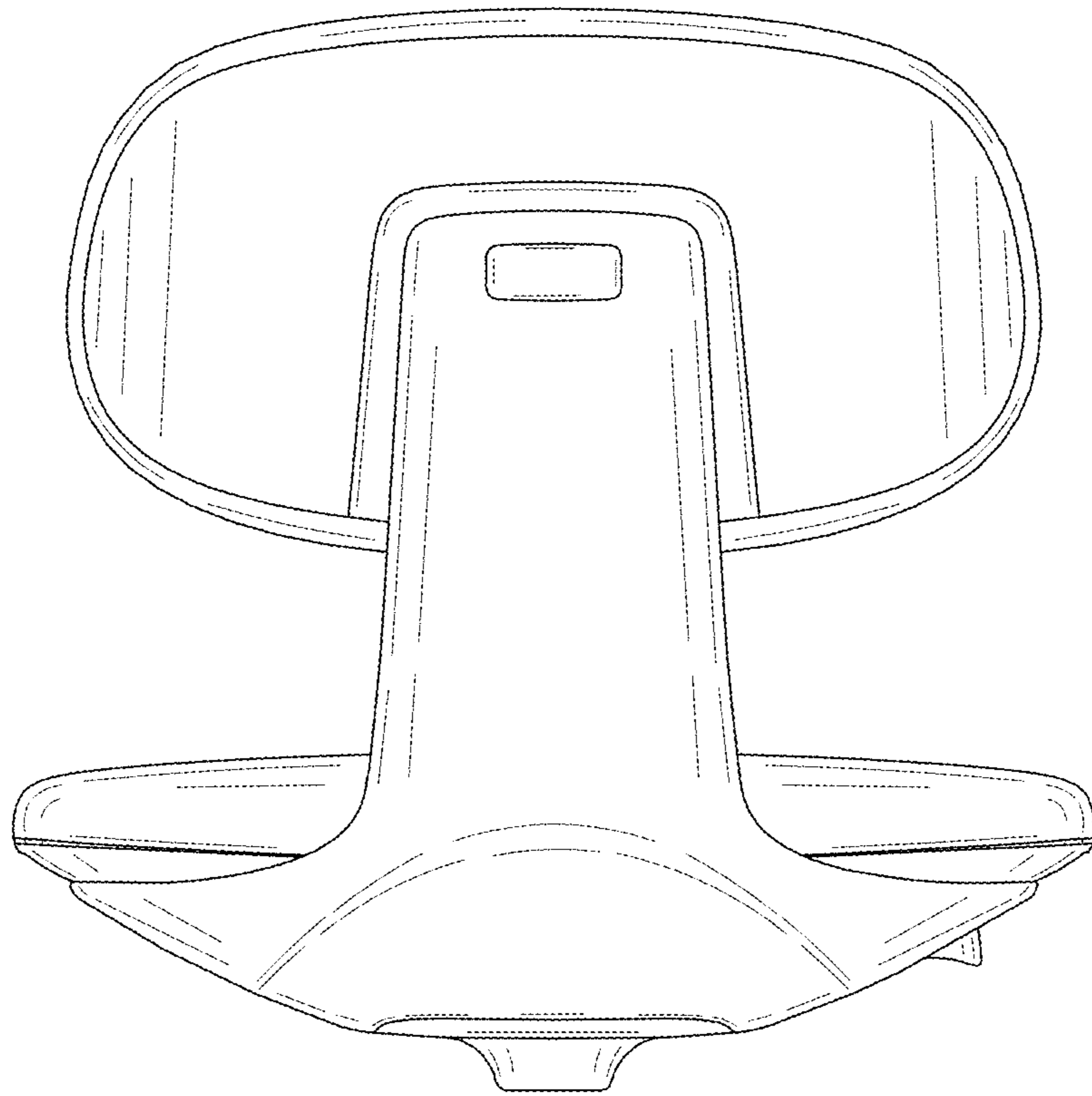


FIG.2

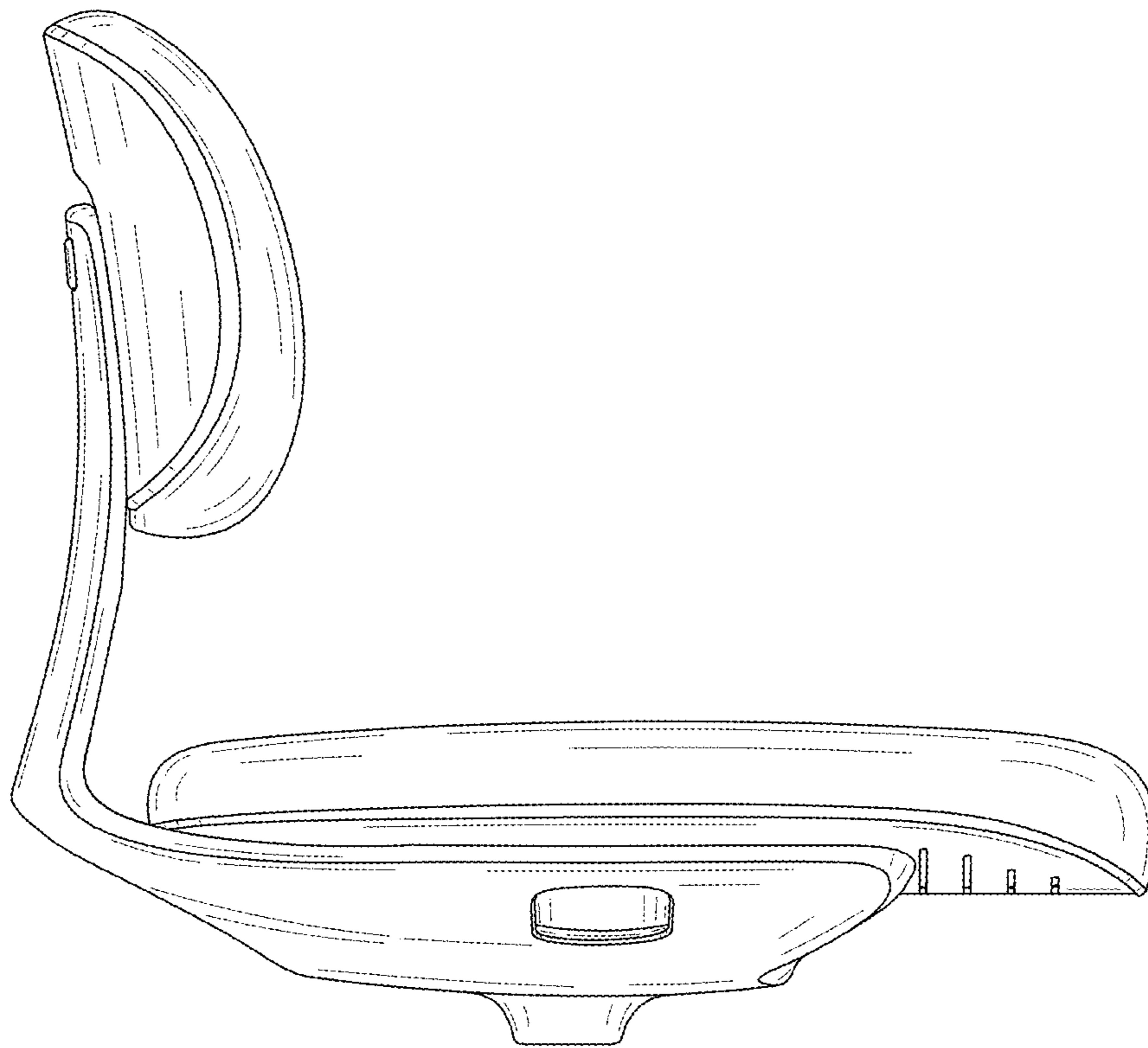


FIG.3

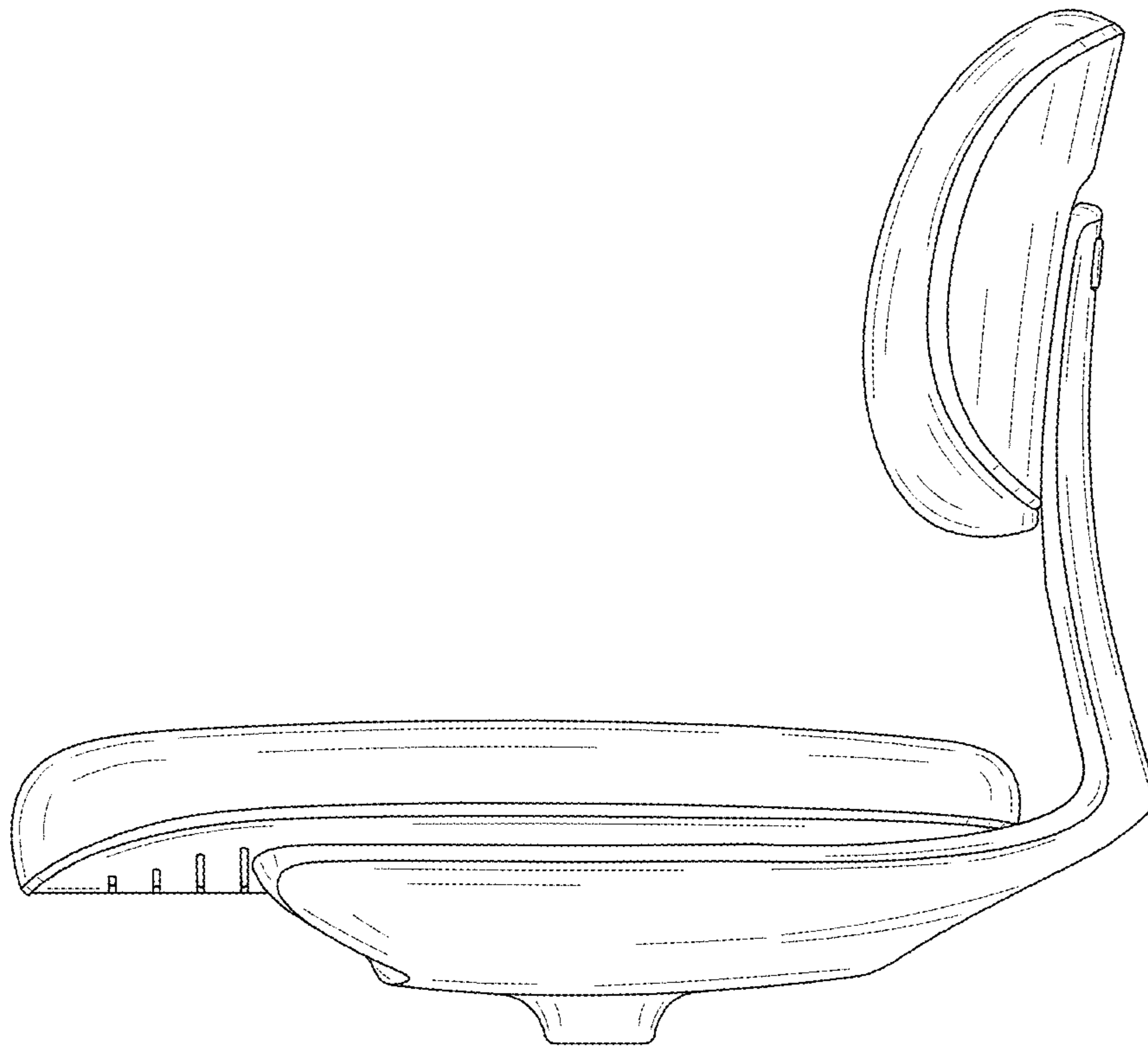


FIG.4

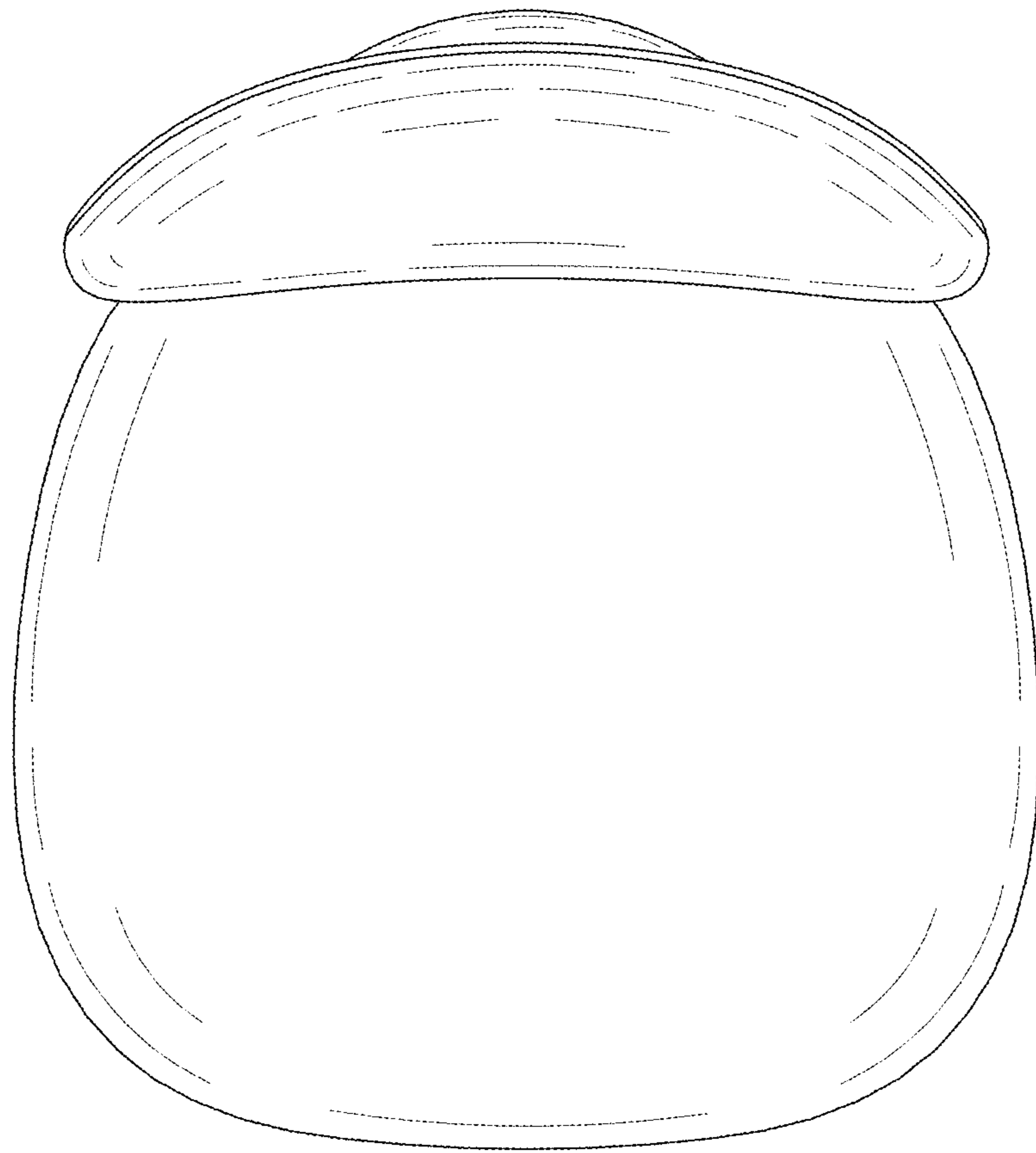


FIG.5

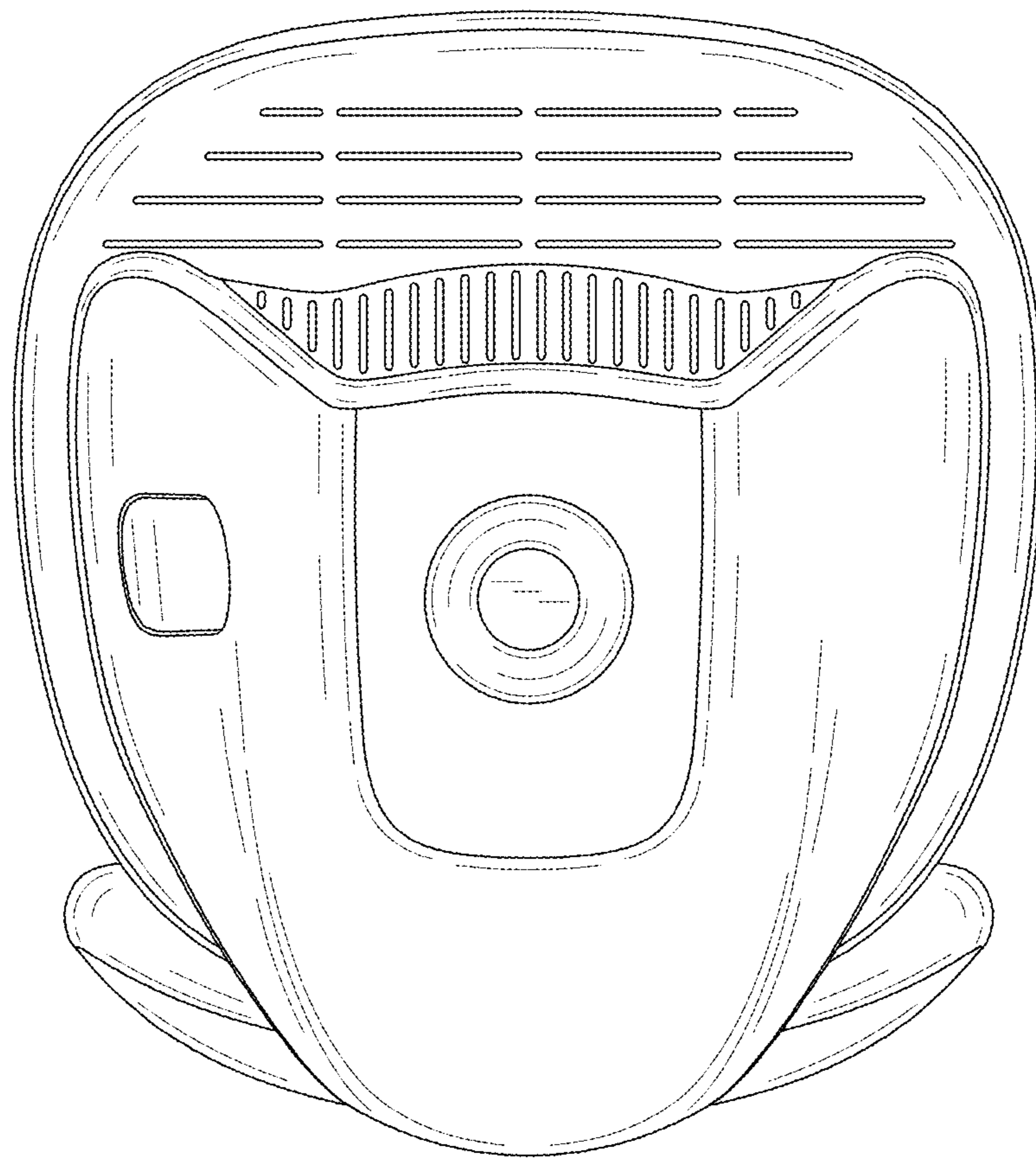


FIG.6

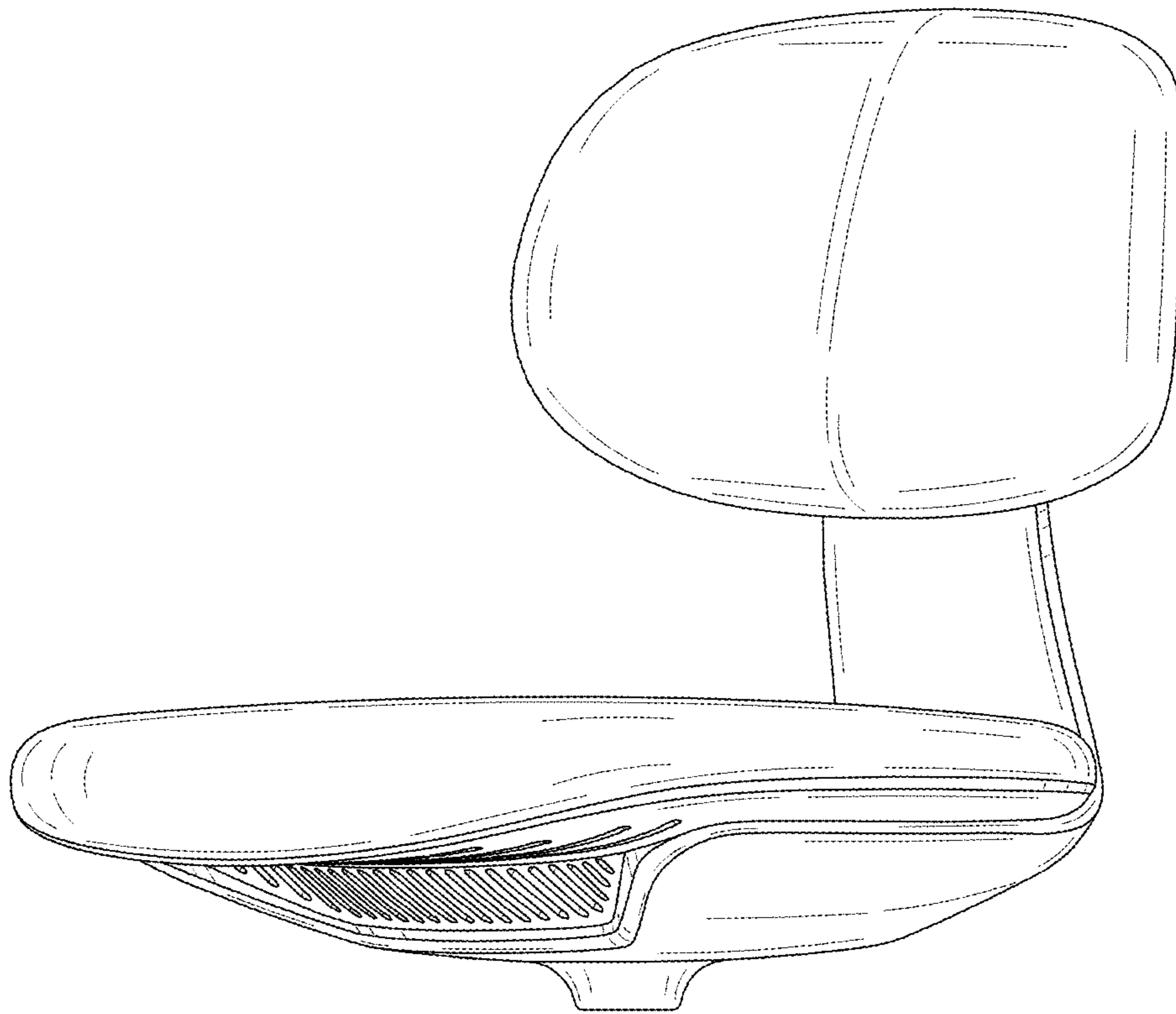


FIG. 7



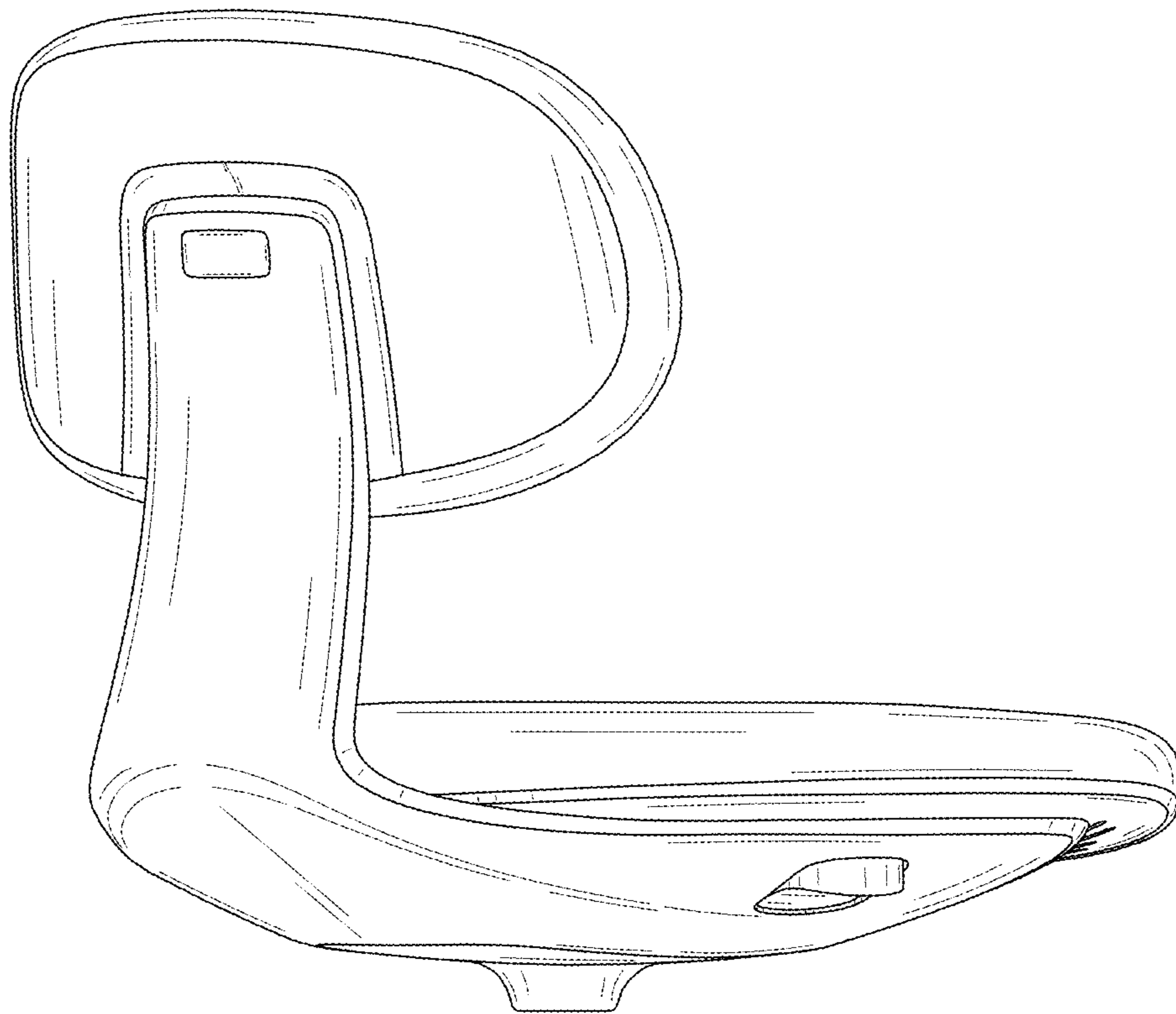


FIG.8

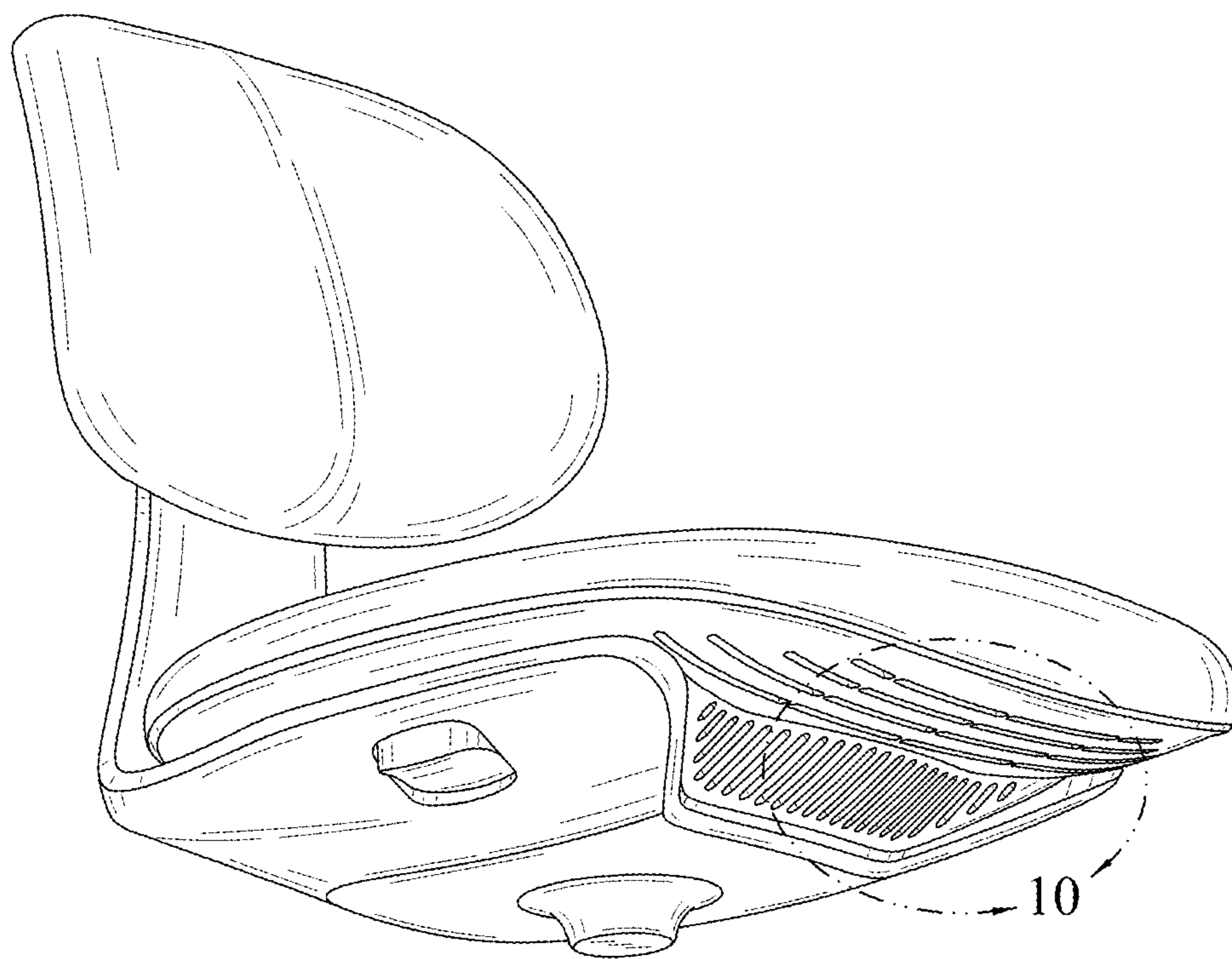


FIG.9

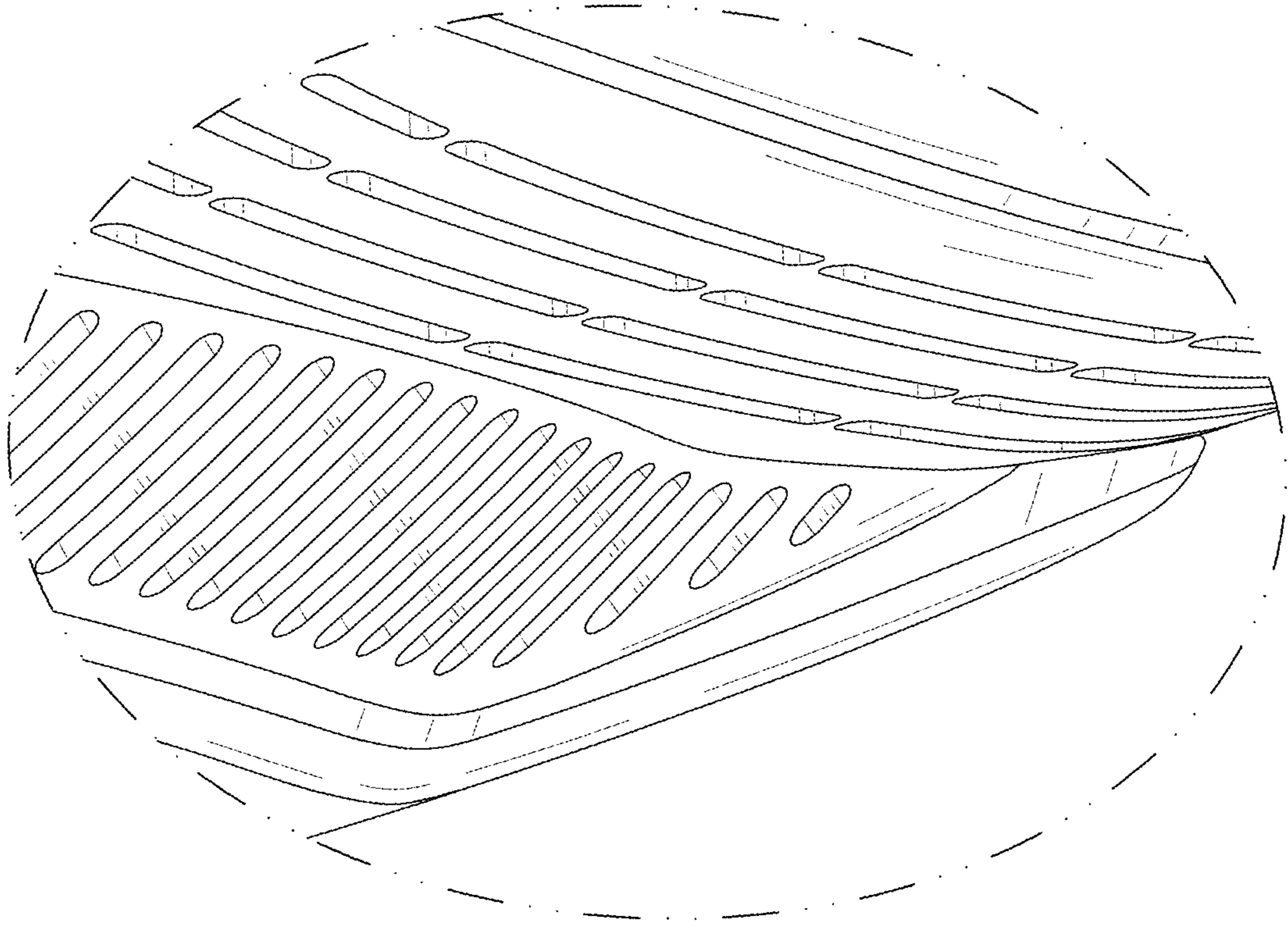


FIG.10