



US00D940479S

(12) **United States Design Patent**
Liang

(10) **Patent No.:** **US D940,479 S**
(45) **Date of Patent:** **** Jan. 11, 2022**

- (54) **PILLOW**
- (71) Applicant: **Dong Liang**, Guangdong (CN)
- (72) Inventor: **Dong Liang**, Guangdong (CN)
- (73) Assignee: **Shenzhen W & F Sales Co., Ltd.**,
Shenzhen (CN)
- (**) Term: **15 Years**
- (21) Appl. No.: **29/698,568**
- (22) Filed: **Jul. 18, 2019**
- (51) **LOC (13) Cl.** **06-09**
- (52) **U.S. Cl.**
USPC **D6/601**
- (58) **Field of Classification Search**
USPC D6/595-601, 604, 611; D21/803, 804;
D24/183
CPC A47C 7/12; A47C 7/021; A47C 7/383;
A47C 7/425; A47C 7/428; A47C 7/546;
A47C 16/00; A47C 20/00; A47C 20/02;
A47C 20/021; A47C 20/026; A47C
20/027; A47C 31/11; A47C 27/001; A47C
27/081; A47C 1/146; A47G 9/00; A47G
9/10; A47G 9/07; A47G 9/1027; A47G
9/1045; A47G 9/1054; A47G 9/1063;
A47G 9/1072; A47G 9/1081; A47G
9/109; A47G 2009/1018; A47G
2009/1036
See application file for complete search history.

- 5,459,896 A * 10/1995 Raburn A47C 7/021
5/653
- 5,960,497 A * 10/1999 Castellino A47C 27/146
5/665
- D529,326 S * 10/2006 Martin D6/601
- D738,644 S * 9/2015 Reynolds D6/601
- D751,322 S * 3/2016 Reynolds D6/601
- D758,102 S * 6/2016 Mason D6/601
- D758,103 S * 6/2016 Mason D6/601
- D781,616 S * 3/2017 Parman D6/604
- 9,737,152 B2 * 8/2017 Mason B29C 44/06
- D818,290 S * 5/2018 Facco D6/601
- D876,125 S * 2/2020 Bellot D6/601
- 2004/0010853 A1 * 1/2004 Muci A47C 27/081
5/644
- 2006/0031994 A1 * 2/2006 Willat B25G 1/102
5/655.5

* cited by examiner

Primary Examiner — Jennifer L Rempfer

(57) **CLAIM**

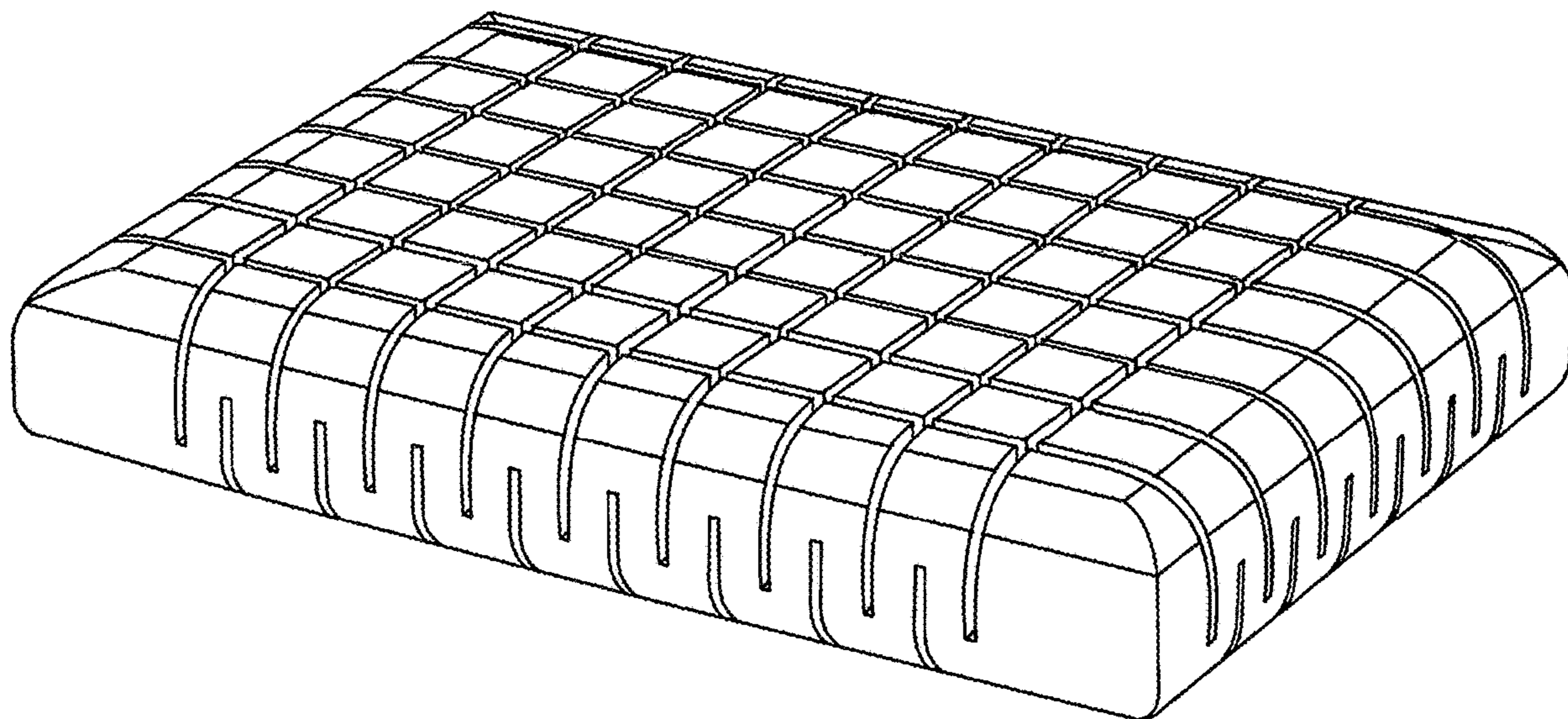
The ornamental design for a pillow, as shown and described.

DESCRIPTION

FIG. 1 is a perspective view of a pillow showing my new design;
 FIG. 2 is a front elevational view thereof, the rear elevational view being a mirror image thereof;
 FIG. 3 is a left side view thereof, the right side view being a mirror image thereof;
 FIG. 4 is a top plan view thereof; and,
 FIG. 5 is a bottom plan view thereof.

1 Claim, 5 Drawing Sheets

- (56) **References Cited**
U.S. PATENT DOCUMENTS
5,025,519 A * 6/1991 Spann A61G 7/05707
5/724
5,160,785 A * 11/1992 Davidson, Jr. A47C 27/146
297/DIG. 1



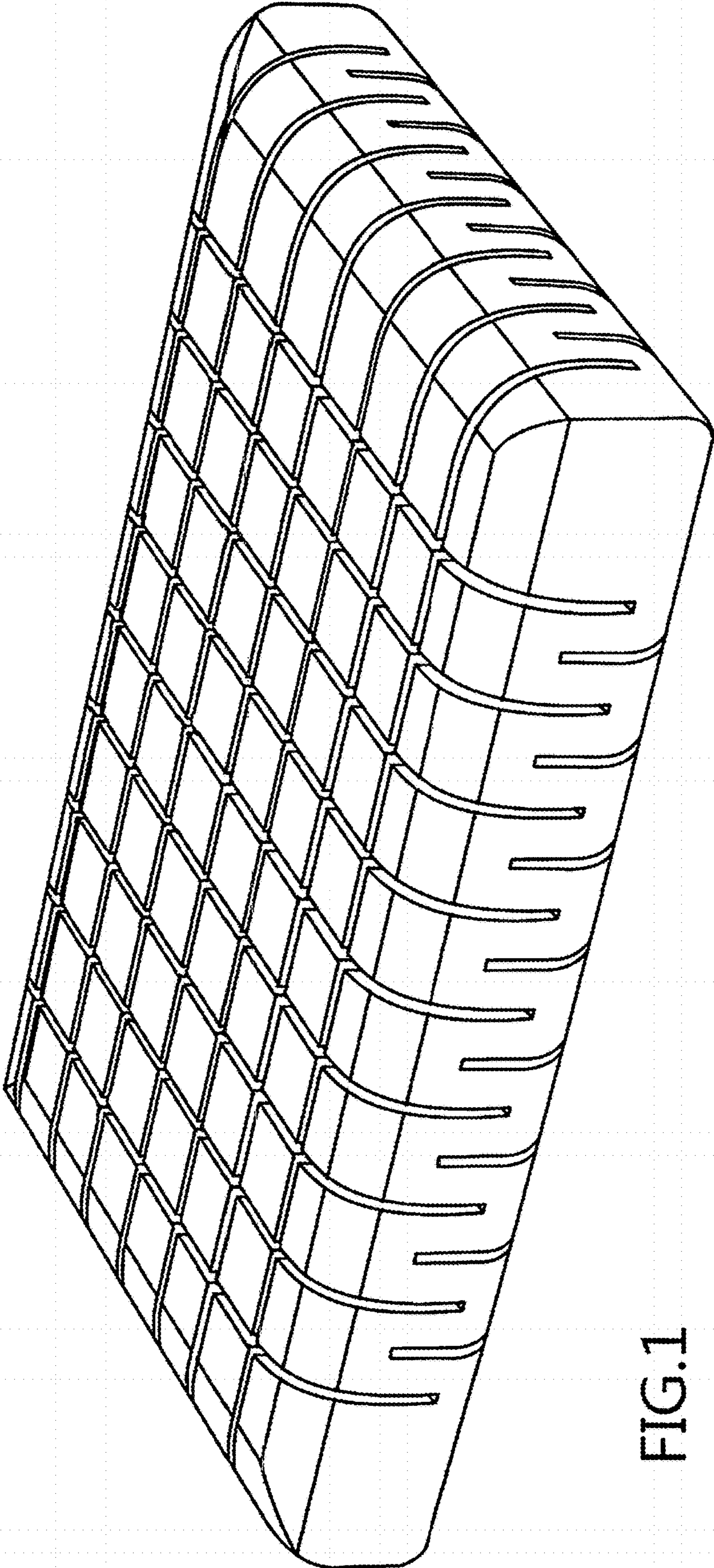


FIG.1

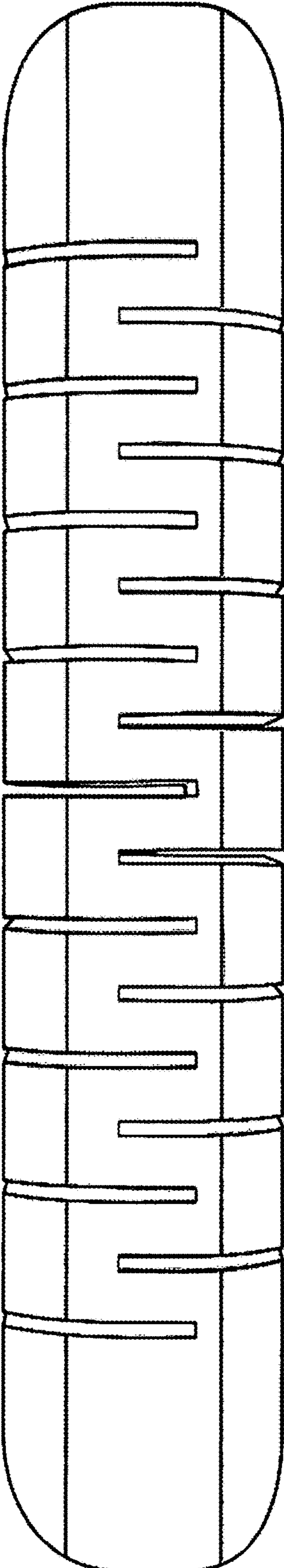


FIG. 2

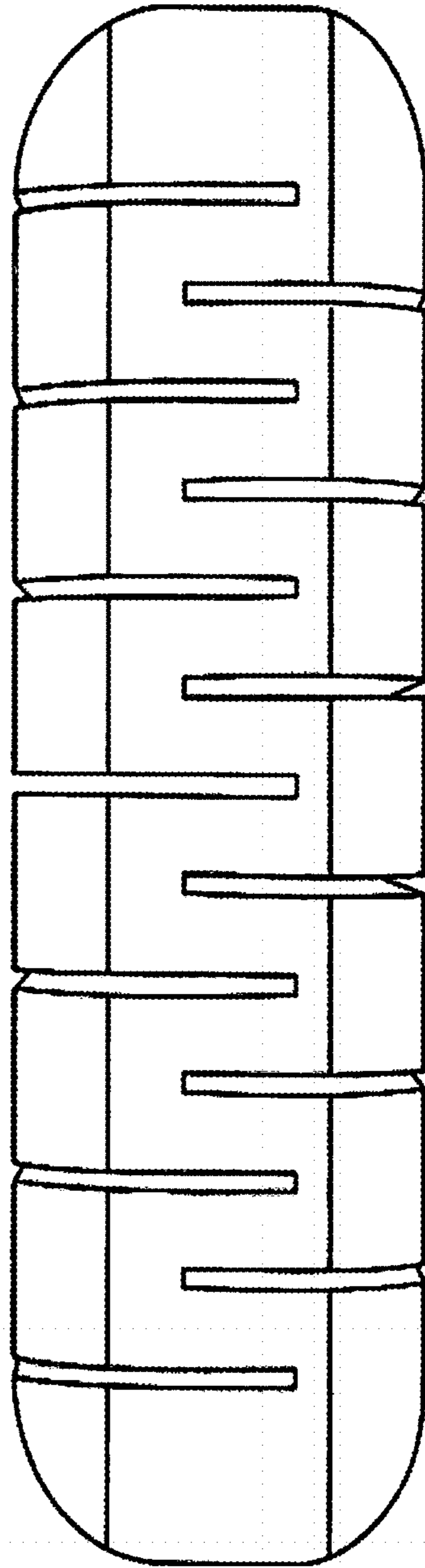


FIG. 3

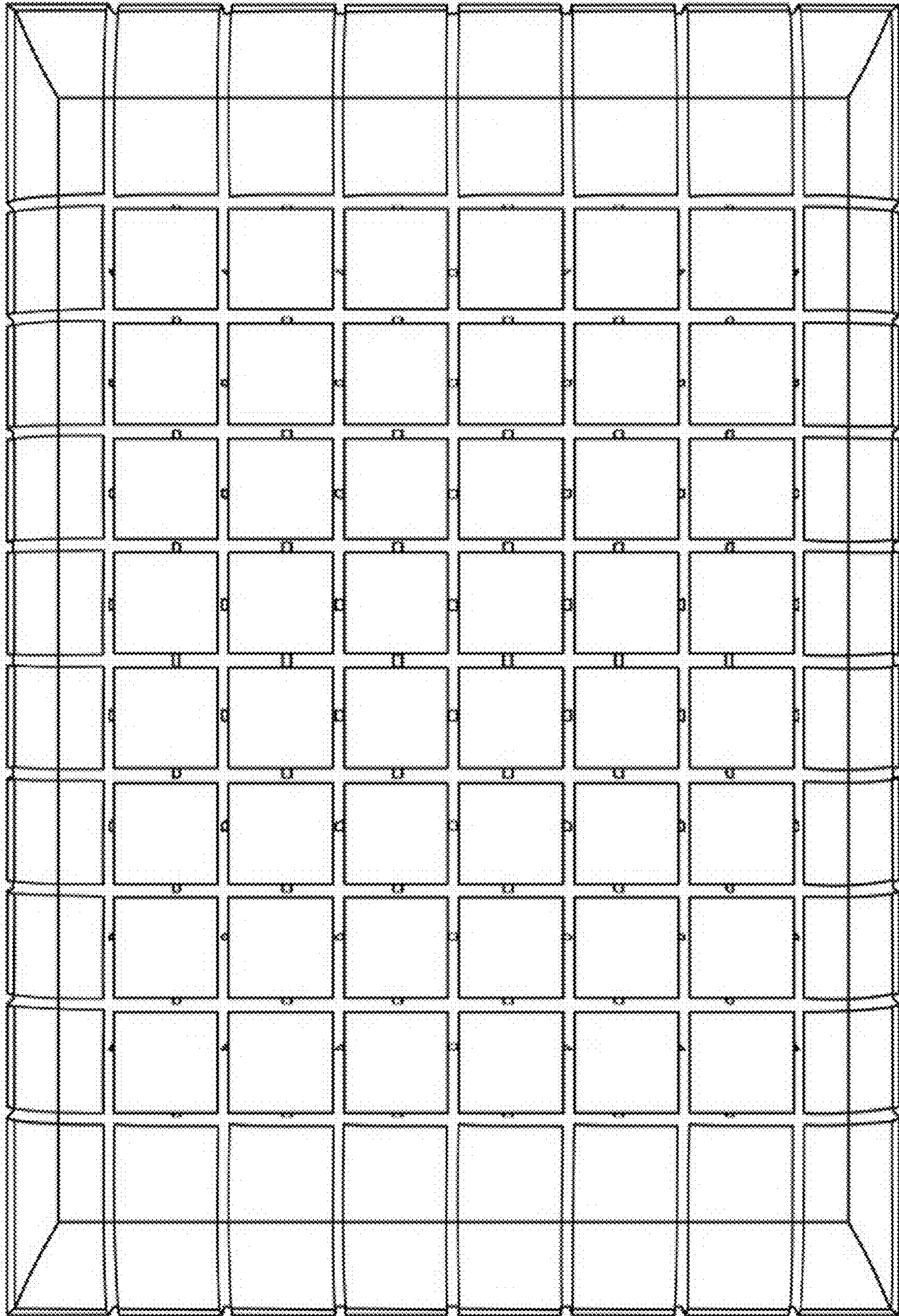


FIG.4

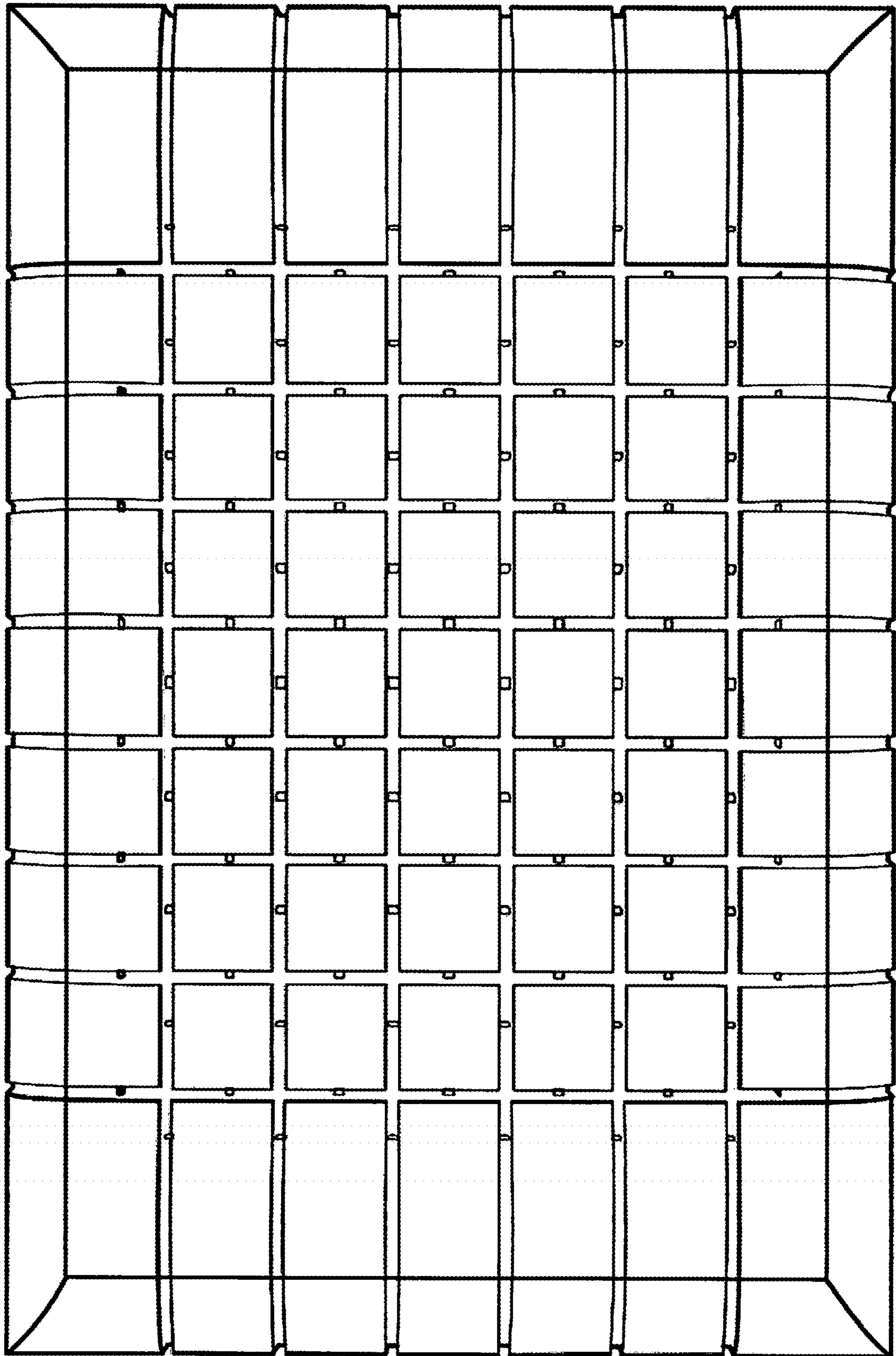


FIG.5