



US00D940476S

(12) **United States Design Patent**
Hagleitner

(10) **Patent No.:** **US D940,476 S**
(45) **Date of Patent:** **** Jan. 11, 2022**

(54) **HOLDER FOR ROLLS OF PAPER**

CPC A47K 10/38; A47K 10/22; A47K 10/24;
A47K 17/003

(71) Applicant: **Hagleitner Hygiene International GmbH, Maishofen (AT)**

See application file for complete search history.

(72) Inventor: **Hans Georg Hagleitner, Zell am See (AT)**

(56) **References Cited**

(73) Assignee: **Hagleitner Hygiene International GmbH, Maishofen (AT)**

U.S. PATENT DOCUMENTS

(**) Term: **15 Years**

- 1,990,806 A * 2/1935 Watson B65G 39/12
193/37
- D171,604 S * 3/1954 Larson D6/523
- 3,373,529 A * 3/1968 Ingham E05F 3/00
49/381
- 3,602,450 A * 8/1971 Jespersen A47K 10/38
242/596.8
- 4,340,195 A * 7/1982 DeLuca A47K 10/3687
226/110
- D296,963 S * 8/1988 Smallwood D6/523

(21) Appl. No.: **35/509,688**

(22) Filed: **Dec. 20, 2019**

(Continued)

(80) **Hague Agreement Data**

Primary Examiner — Richard E Chilcot

Int. Filing Date: **Dec. 20, 2019**

(74) *Attorney, Agent, or Firm* — Laurence A. Greenberg;
Werner H. Stemer; Ralph E. Locher

Int. Reg. No.: **DM/208516**

Int. Reg. Date: **Dec. 20, 2019**

Int. Reg. Pub. Date: **Jun. 26, 2020**

(57) **CLAIM**

The ornamental design for a holder for rolls of paper, as shown and described.

(30) **Foreign Application Priority Data**

DESCRIPTION

Jun. 26, 2019 (EM) 6596144

(51) **LOC (13) Cl.** **23-02**

(52) **U.S. Cl.**

USPC **D6/523**

CPC **A47K 10/38** (2013.01)

(58) **Field of Classification Search**

USPC D6/518-523; 211/13.1, 16, 85.5, 86.01,
211/87.01, 88.04, 100, 105.1, 105.2, 106,
211/113, 12, 3, 181.1, 182-183; 242/570,
242/590, 596-599, 599.1-599.4; 225/39,
225/46, 47, 77; 248/49, 175, 176.1, 200,
248/201, 205.1, 251, 302, 309.1, 315,
248/309.2; 384/295, 418-439; D8/300,
D8/315, 370, 310; D7/393, 394, 396,
D7/543, 545, 547, 548; D10/102,
D10/122-132; D23/238, 249, 250, 252,
D23/254, 421

1. Holder for rolls of paper

1.1 is a perspective view of the holder for rolls of paper, showing my new design;

1.2 is a front view thereof;

1.3 is a back view thereof;

1.4 is a top view thereof;

1.5 is a bottom view thereof;

1.6 is a left side view thereof;

1.7 is a right side view thereof;

1.8 is a perspective view thereof;

1.9 is a front view thereof;

1.10 is a back view thereof;

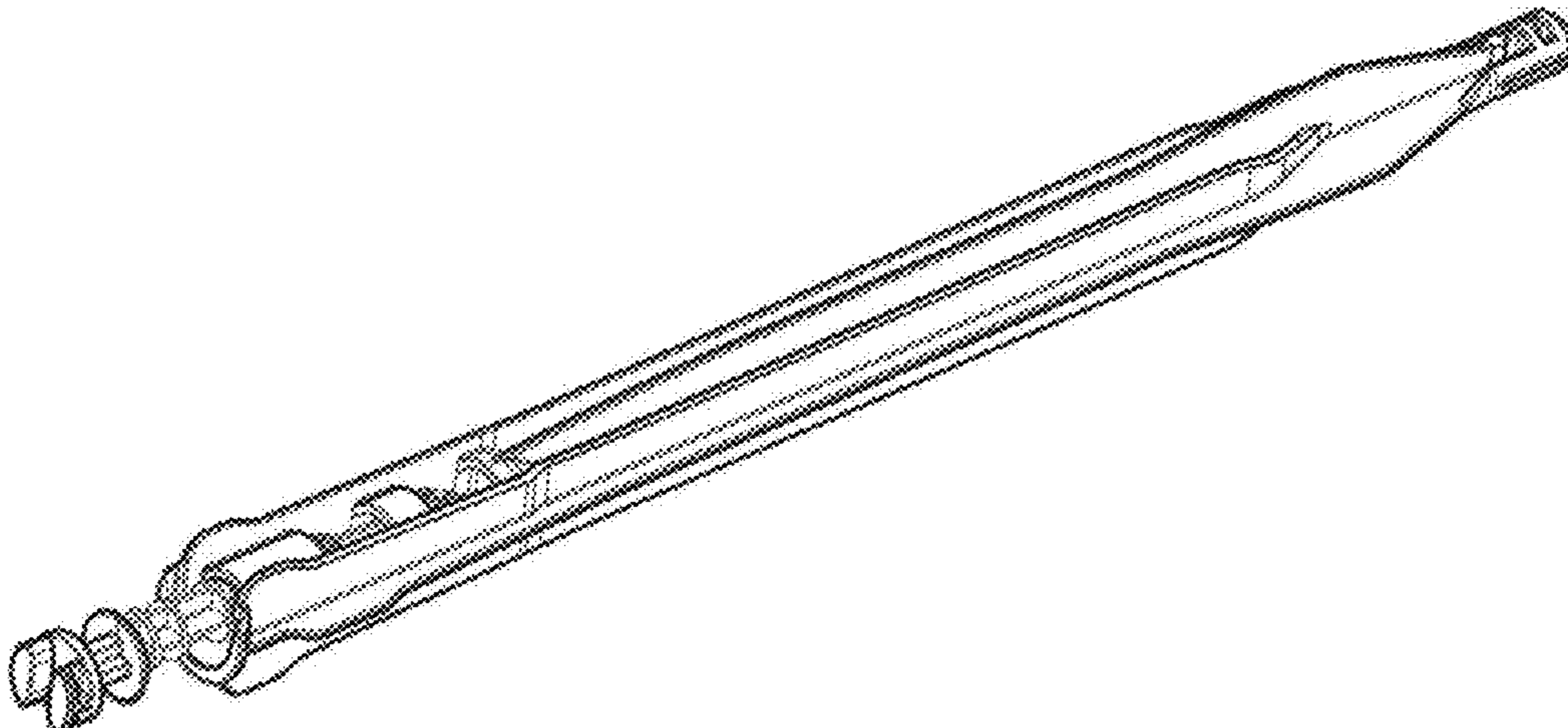
1.11 is a top view thereof;

1.12 is a bottom view thereof;

1.13 is a left side view thereof; and

1.14 is a right side view thereof

1 Claim, 14 Drawing Sheets



(56)

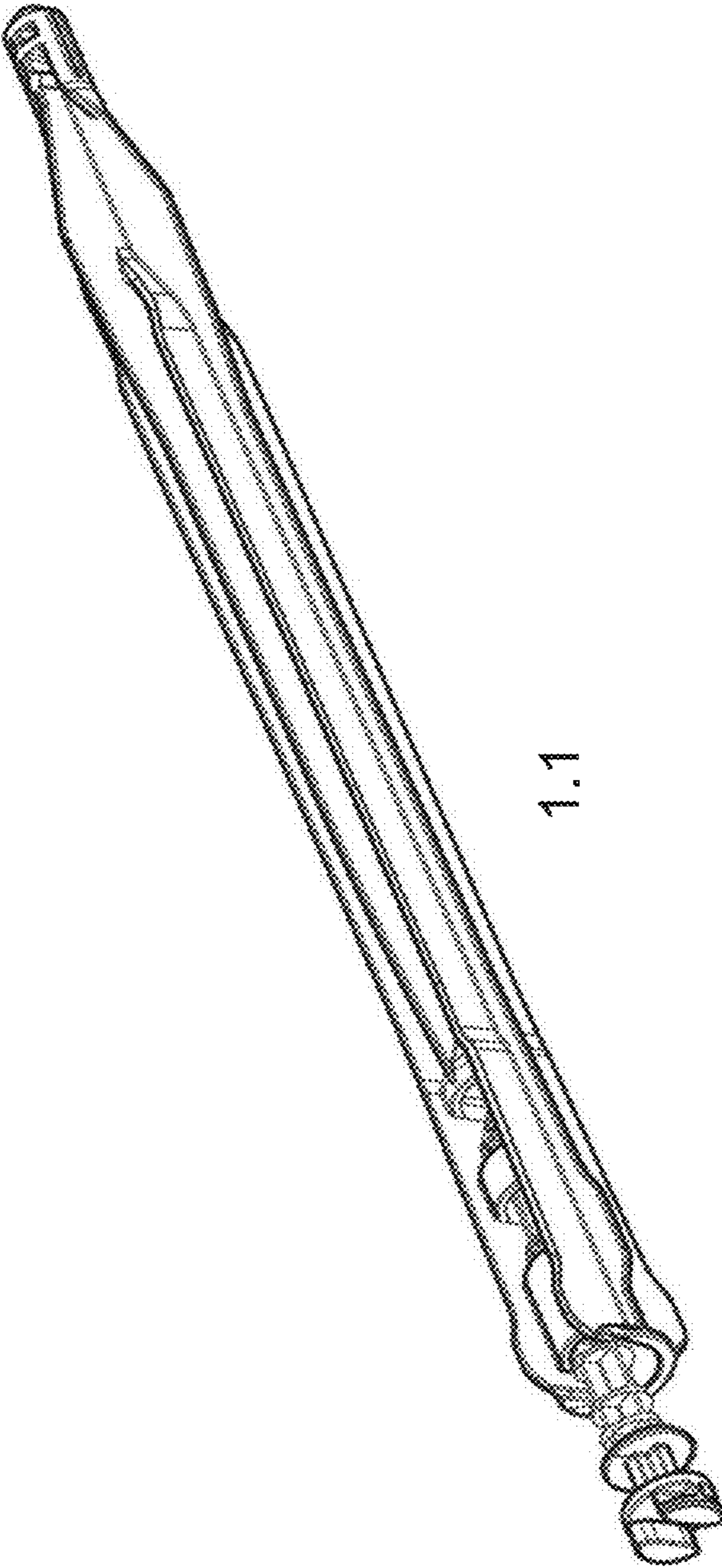
References Cited

U.S. PATENT DOCUMENTS

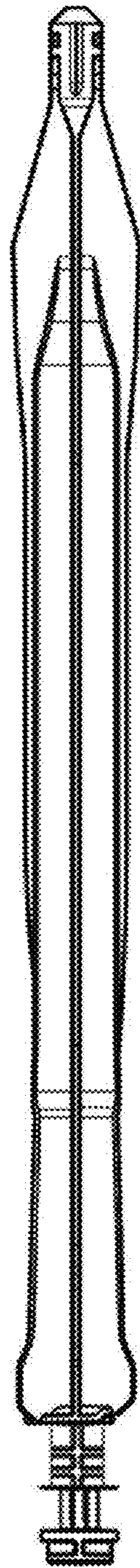
5,249,755 A * 10/1993 Jespersen A47K 10/38
242/596.7
5,495,997 A * 3/1996 Moody A47K 10/38
242/560
5,577,686 A * 11/1996 Moody A47K 10/3836
242/597.4
5,630,563 A * 5/1997 Meisner B65H 35/002
225/43
5,669,576 A * 9/1997 Moody A47K 10/38
242/560.3
5,676,331 A * 10/1997 Weber B65H 75/185
242/560
5,988,561 A * 11/1999 Mele A47K 10/40
242/599.1
6,082,664 A * 7/2000 Phelps A47K 10/38
242/560
6,367,734 B1 * 4/2002 Cartwright A47K 10/40
242/598.1
6,581,295 B1 * 6/2003 Black B65H 75/406
33/1 LE
6,688,551 B1 * 2/2004 He A47K 10/40
239/52
6,814,684 B2 * 11/2004 Schulz F16H 57/08
475/331
D611,967 S * 3/2010 Hjort D15/138
7,828,240 B2 * 11/2010 Hagleitner A47K 10/38
242/598.3
D630,874 S * 1/2011 Moller D6/518
D635,806 S * 4/2011 Bodum D6/521
D703,461 S * 4/2014 Myron D6/523
8,783,600 B1 * 7/2014 Myron A47K 10/16
242/596.7

D719,374 S * 12/2014 Myron D6/523
D731,202 S * 6/2015 Newson D6/523
D739,158 S * 9/2015 Pan D6/518
9,234,338 B2 * 1/2016 Irwin A47G 27/0206
9,278,152 B2 * 3/2016 Irwin A61L 9/05
9,675,217 B2 * 6/2017 Hagleitner A47K 10/38
D792,122 S * 7/2017 Hagleitner D6/523
D830,079 S * 10/2018 Hagleitner D6/523
D835,921 S * 12/2018 Hagleitner D6/523
D835,922 S * 12/2018 Hagleitner D6/523
D836,941 S * 1/2019 Hagleitner D6/523
D837,558 S * 1/2019 Hagleitner D6/523
D840,710 S * 2/2019 Hagleitner D6/523
D843,129 S * 3/2019 Hagleitner D6/523
10,383,487 B2 * 8/2019 Hagleitner A47K 10/22
D859,878 S * 9/2019 Hagleitner D6/523
10,493,177 B2 * 12/2019 Knapp A61L 9/012
2002/0134881 A1 * 9/2002 Hoernig A47K 10/40
242/599.1
2002/0185511 A1 * 12/2002 Huang B65H 35/0026
225/47
2003/0071052 A1 * 4/2003 Castleberry G07F 11/54
221/132
2008/0229791 A1 * 9/2008 Granger A47K 10/38
70/182
2012/0097789 A1 * 4/2012 Benedetti A47K 10/38
242/598.3
2012/0111988 A1 * 5/2012 Dean B65H 16/005
242/597.6
2014/0353418 A1 * 12/2014 Hagleitner A47K 10/3845
242/599.2
2014/0361117 A1 * 12/2014 Hagleitner A47K 10/38
242/599.3

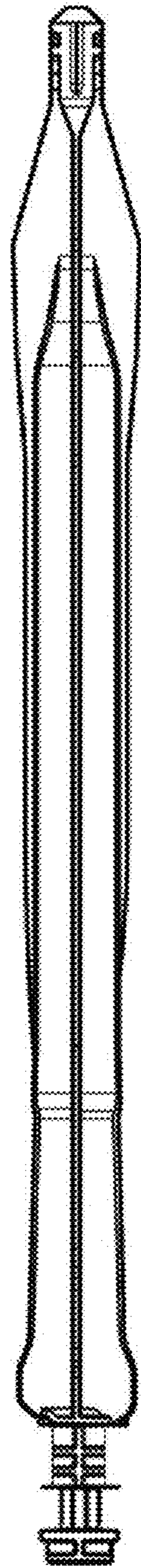
* cited by examiner



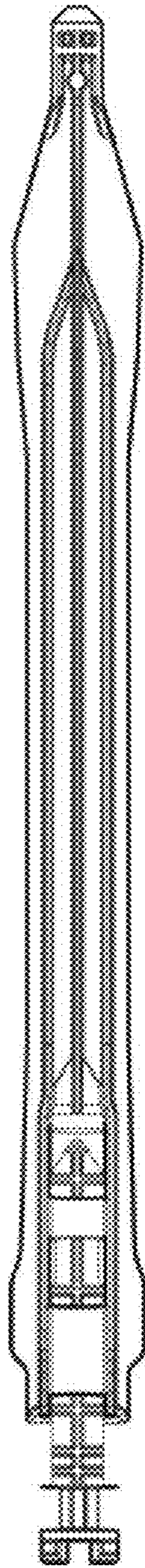
1.1



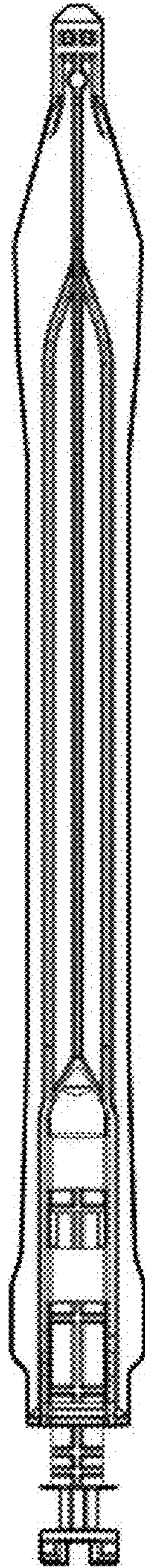
1.2



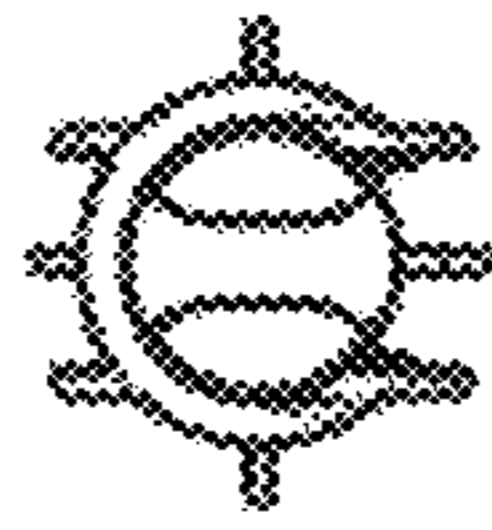
1.3



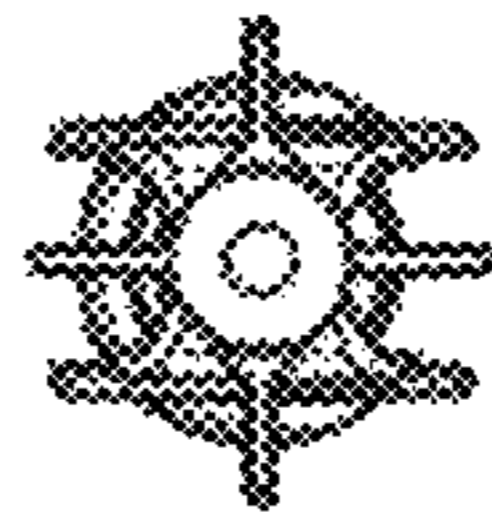
1.4



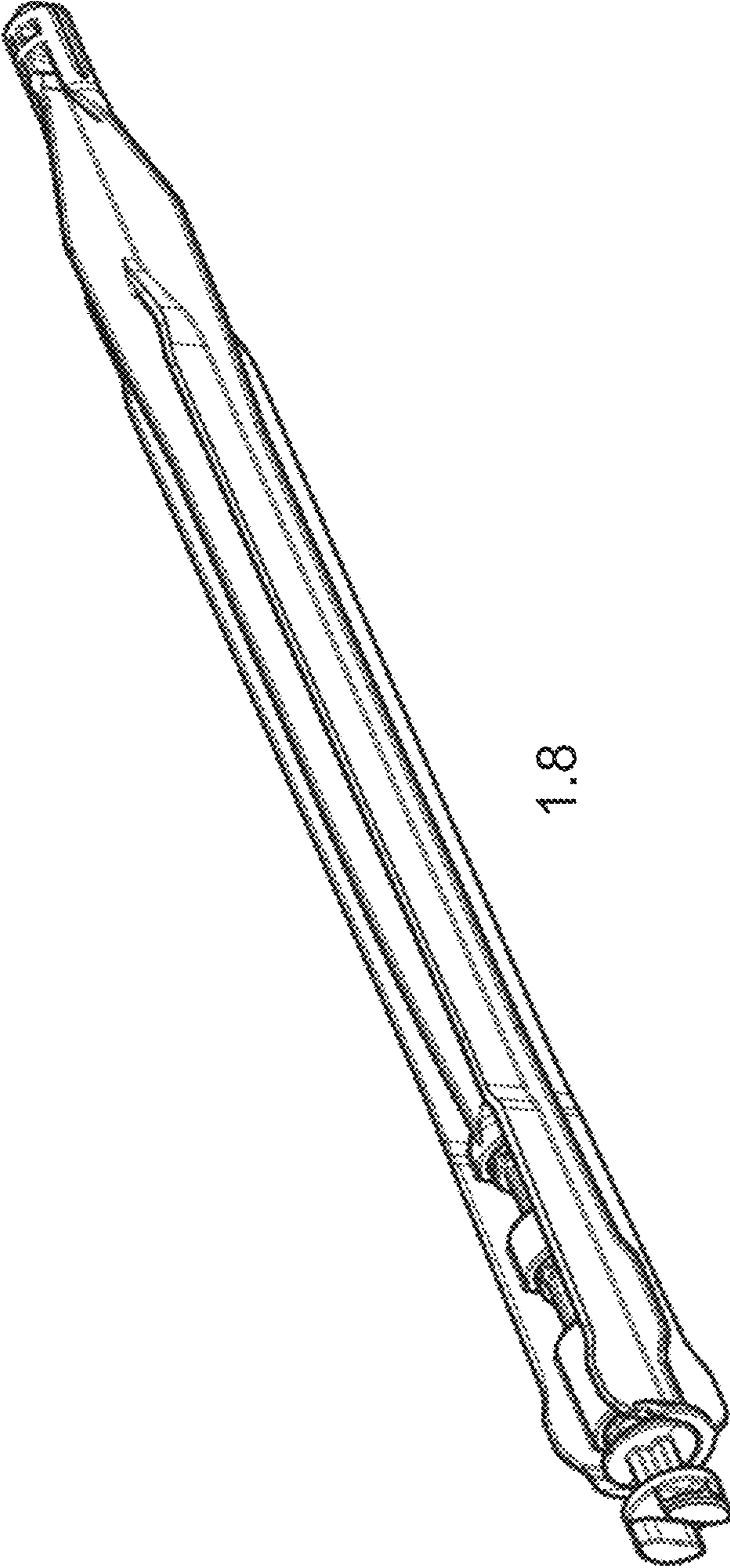
1.5

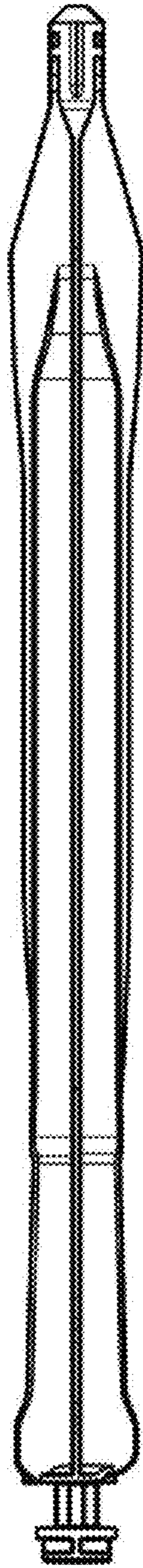


1.6

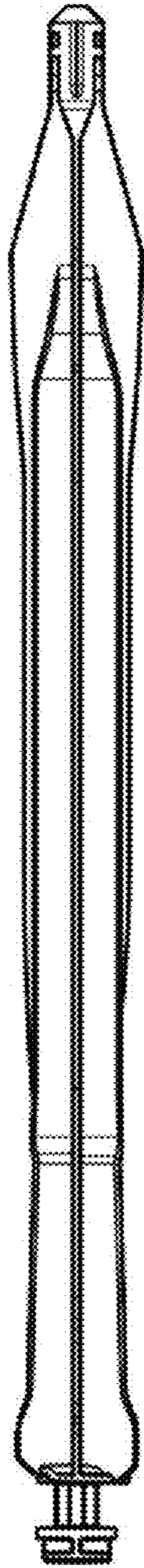


1.7

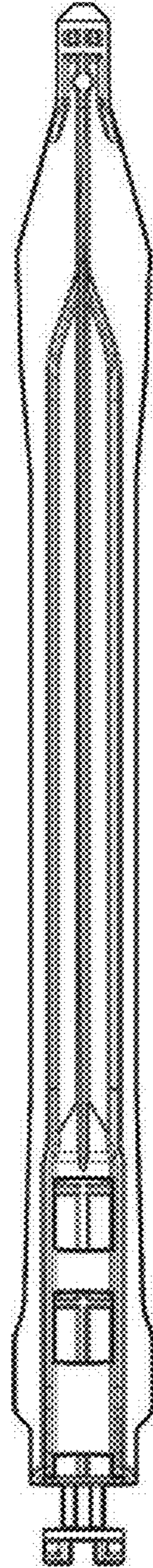




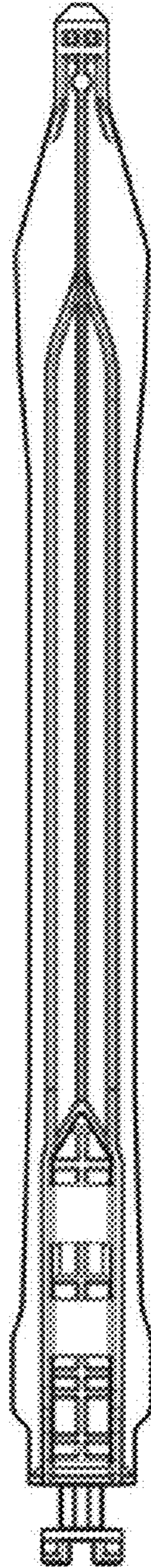
1.9



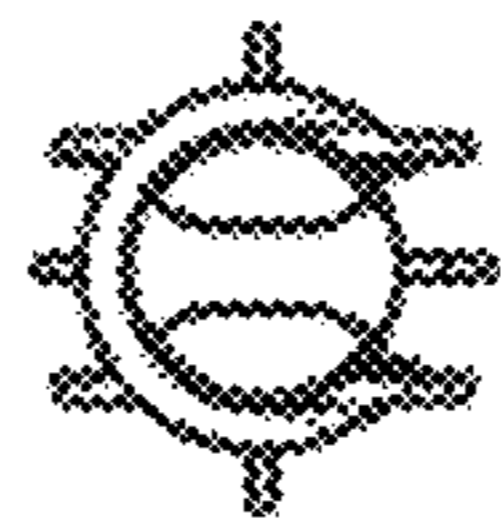
1.10



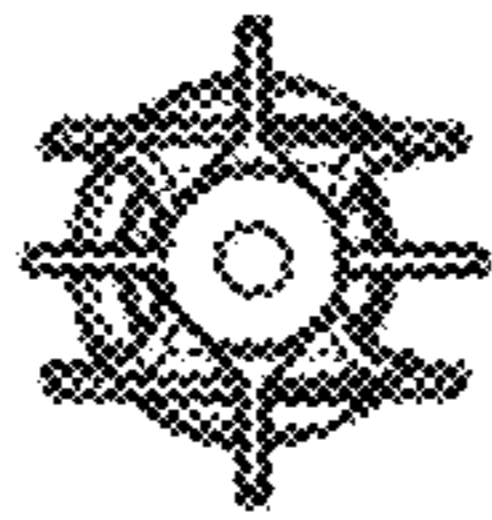
1.11



1.12



1.13



1.14