



US00D940474S

(12) **United States Design Patent** (10) **Patent No.:** **US D940,474 S**  
**Patil et al.** (45) **Date of Patent:** **\*\* Jan. 11, 2022**

(54) **CRADLE FOR INFANTS**

(56) **References Cited**

(71) Applicant: **CHIGROO LABS PRIVATE LIMITED**, Bangalore (IN)  
(72) Inventors: **Bharath Patil**, Bangalore (IN); **Radhika Patil**, Bangalore (IN); **Makarand Ramesh Kulkarni**, Bangalore (IN); **Brijoy Amrutbhai Patel**, Ahmedabad (IN); **Arjun Jagadish Dutt**, Bangalore (IN); **Nilesh S. Misal**, Bangalore (IN)  
(73) Assignee: **CHIGROO LABS PRIVATE LIMITED**, Bangalore (IN)  
(\*\*) Term: **15 Years**  
(21) Appl. No.: **29/652,653**  
(22) Filed: **Oct. 19, 2020**

U.S. PATENT DOCUMENTS

D118,113 S \* 12/1939 Feldman ..... D23/278  
D137,982 S \* 5/1944 Lanese ..... D6/390  
2,633,580 A \* 4/1953 Dooley ..... A47D 9/04  
5/109  
3,012,254 A \* 12/1961 Hamilton ..... A47D 7/002  
5/100  
D312,006 S \* 11/1990 Shepler ..... D6/390  
D326,292 S \* 5/1992 Monneret ..... D21/519  
D611,720 S \* 3/2010 Coyne ..... D6/392  
D772,625 S \* 11/2016 Roberts ..... D6/715  
D839,625 S \* 2/2019 Sclare ..... D6/390  
2007/0209112 A1 \* 9/2007 Waldman ..... A47D 13/02  
5/105  
2009/0101074 A1 \* 4/2009 Bjelland ..... A01K 31/12  
119/468  
2016/0227939 A1 \* 8/2016 Tadipatri ..... A47D 9/005  
2017/0360216 A1 \* 12/2017 Sclare ..... A47D 9/02  
2020/0383494 A1 \* 12/2020 Mu ..... A47D 7/005  
2021/0212477 A1 \* 7/2021 James ..... A47D 9/02

\* cited by examiner

*Primary Examiner* — Kevin K Rudzinski  
*Assistant Examiner* — Paul D Bohannon  
(74) *Attorney, Agent, or Firm* — IPHorizons PLLC;  
Narendra Reddy Thappeta

**Related U.S. Application Data**

(63) Continuation-in-part of application No. 29/648,808, filed on May 24, 2018, now abandoned.  
(51) **LOC (13) Cl.** ..... **06-01**  
(52) **U.S. Cl.**  
USPC ..... **D6/347**  
(58) **Field of Classification Search**  
USPC ..... D6/333, 344, 348, 715, 347, 390, 392, D6/716, 718.26; D23/278  
CPC ... A47C 3/02; A47D 1/00; A47D 9/02; A47D 13/02; A47D 13/10; A47D 13/107; A47D 7/00; A47D 9/00; A47D 15/003; A47D 15/008

See application file for complete search history.

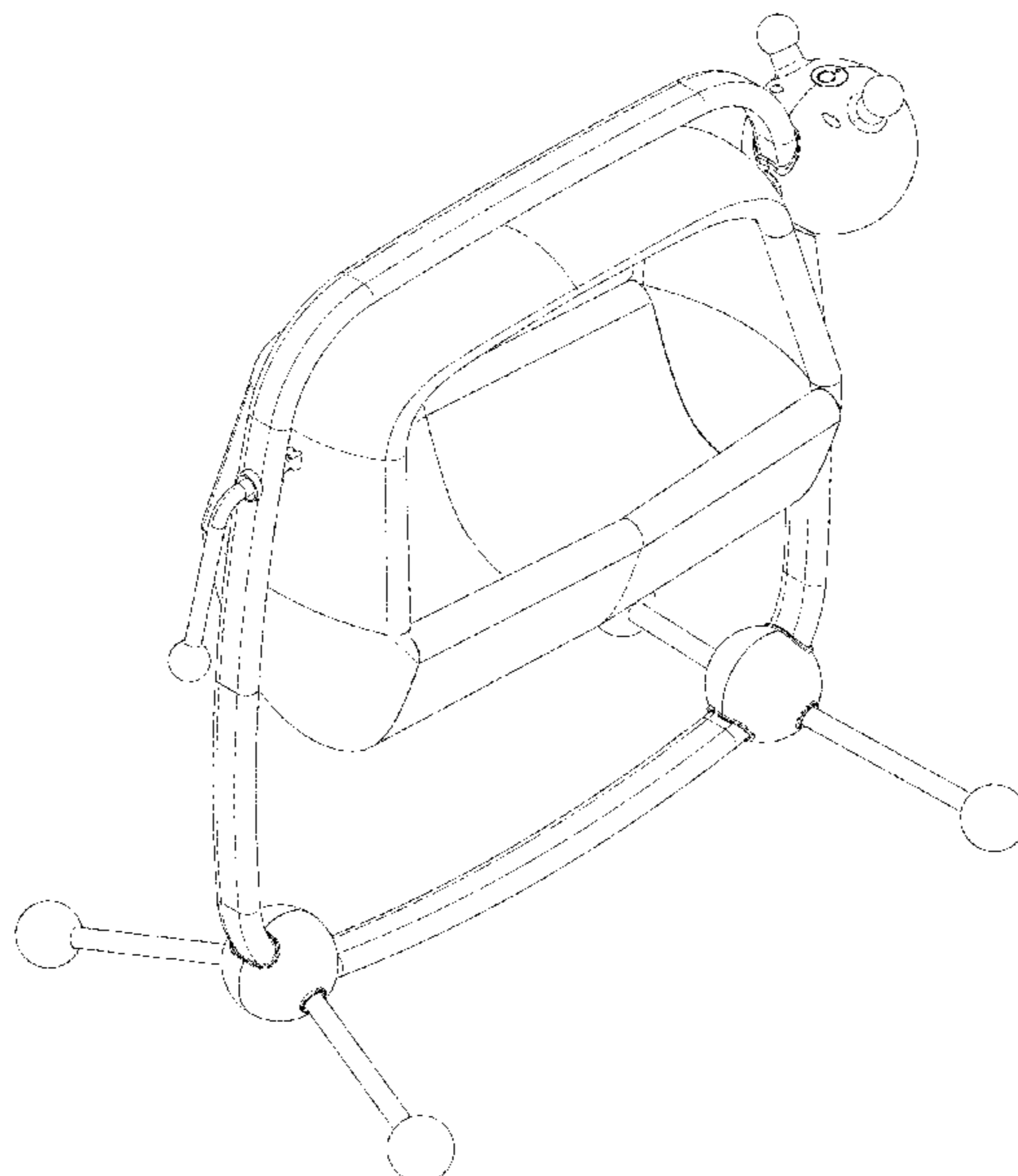
(57) **CLAIM**

The ornamental design for a cradle for infants, as shown and described.

**DESCRIPTION**

FIG. 1 is a front side elevation view of a cradle for infants showing our new design;  
FIG. 2 is a back side elevation view thereof;  
FIG. 3 is a right-side perspective view thereof;  
FIG. 4 is a right-side elevation view thereof;  
FIG. 5 is another right-side perspective view thereof;  
FIG. 6 is another right-side perspective view thereof; and,  
FIG. 7 is another right-side perspective view thereof.

**1 Claim, 7 Drawing Sheets**



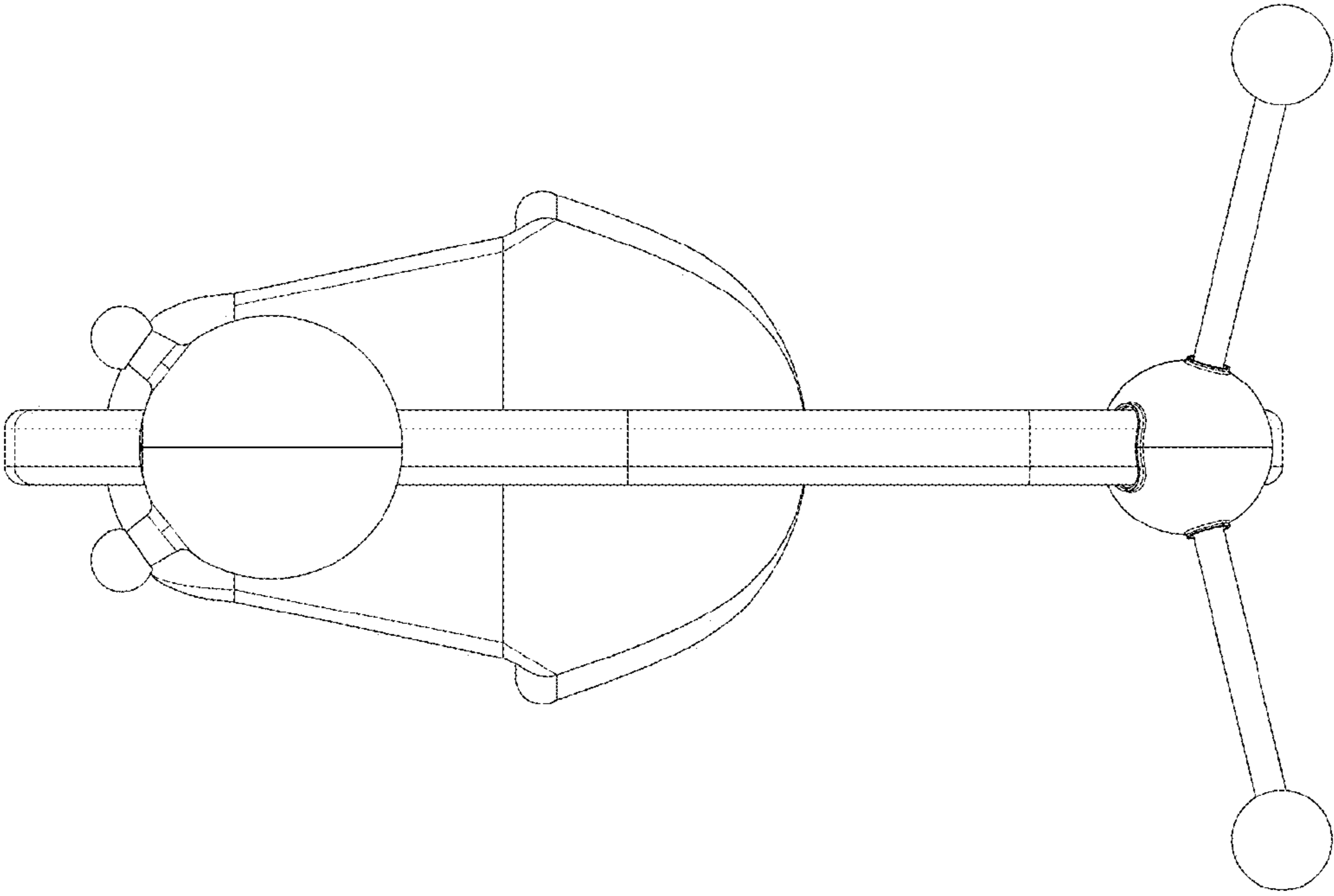
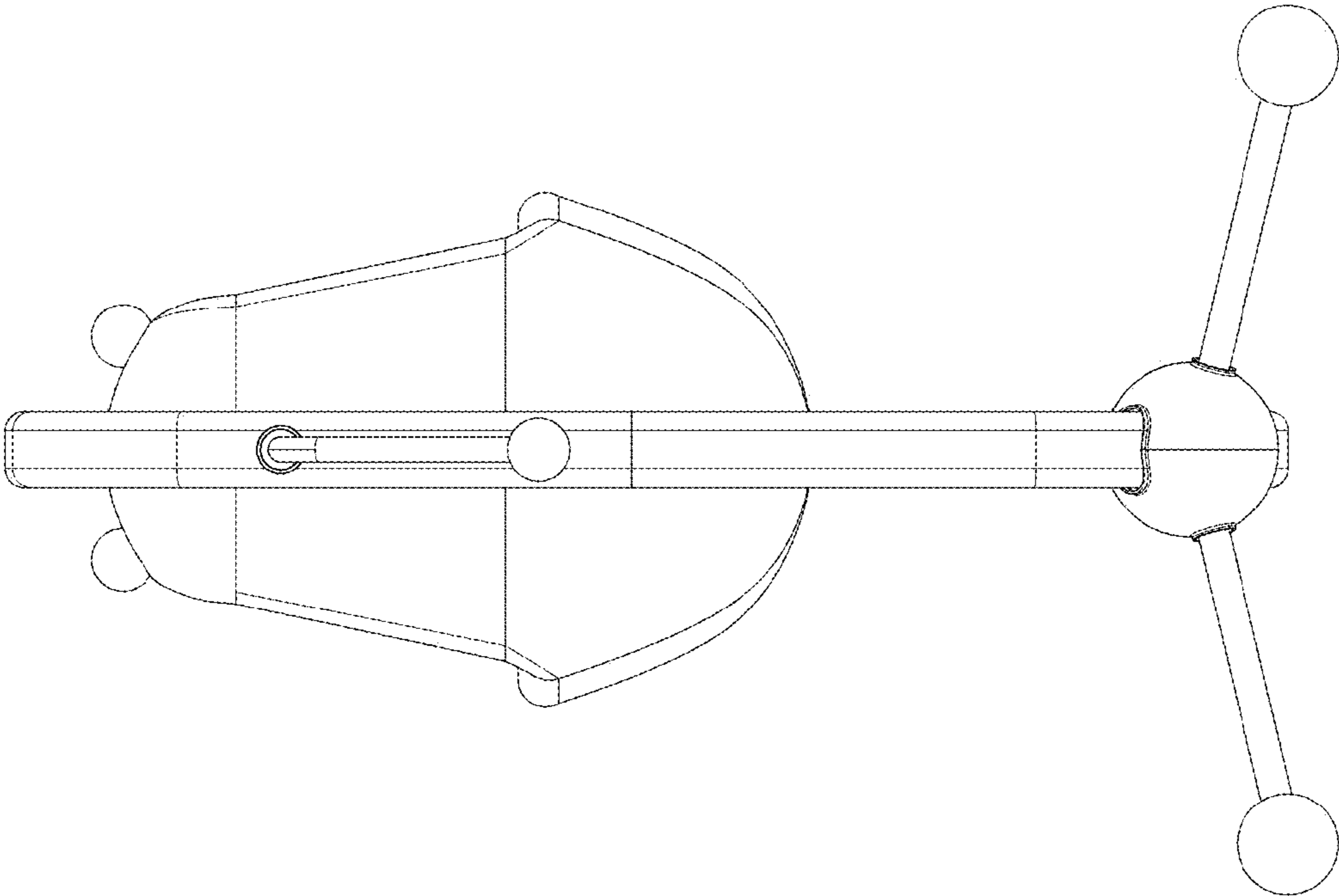


Figure 1



**Figure 2**

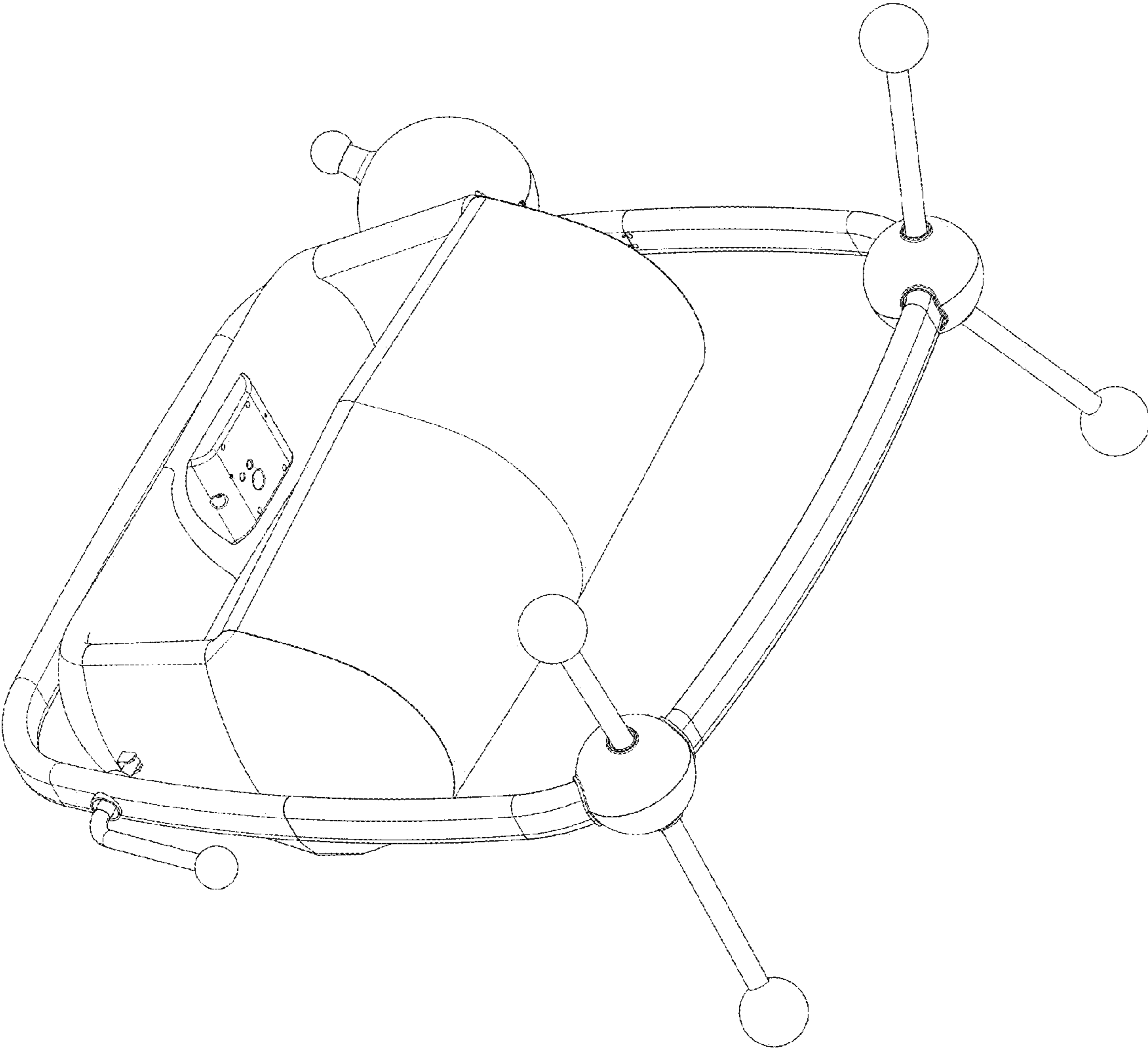


Figure 3

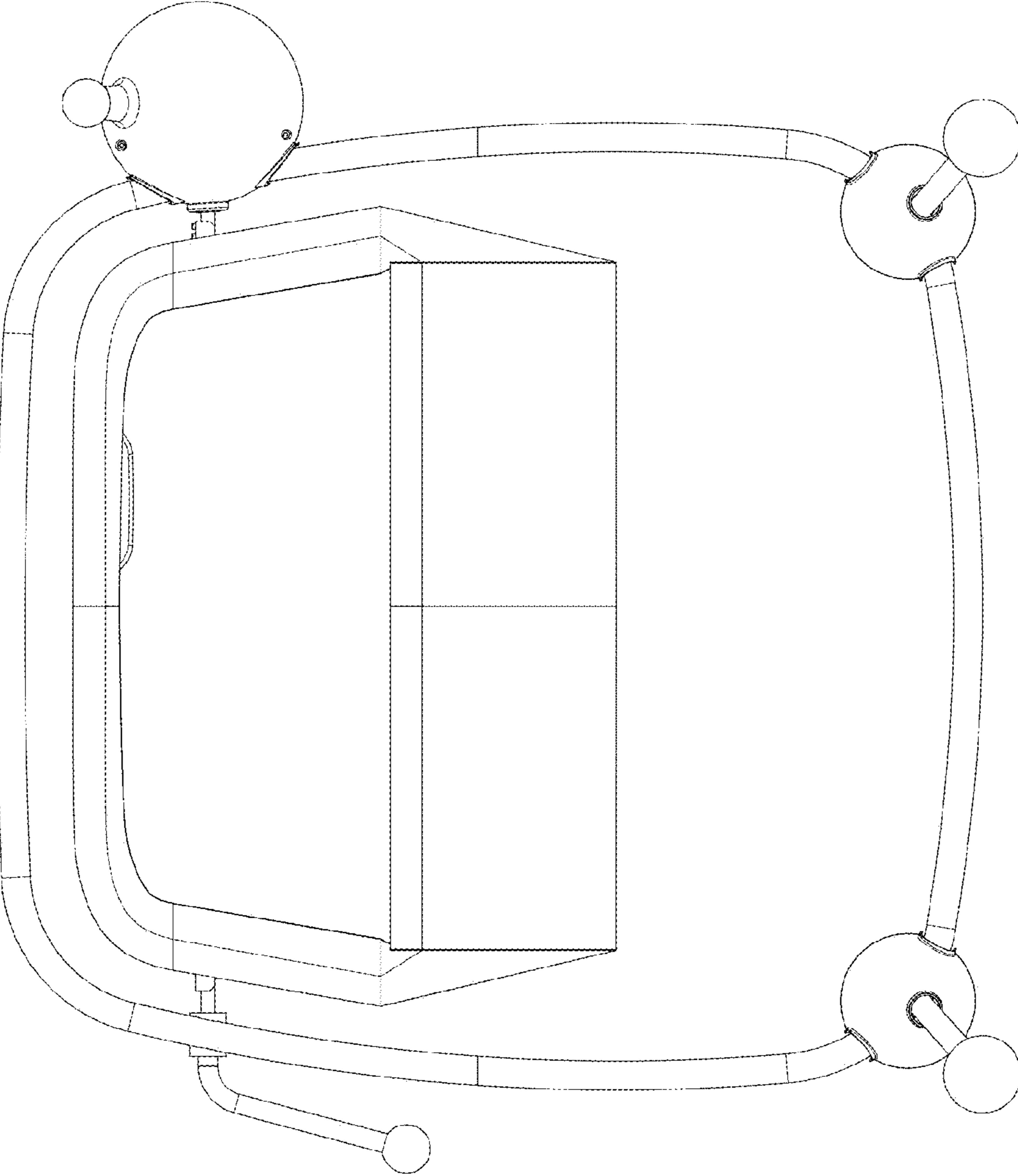


Figure 4

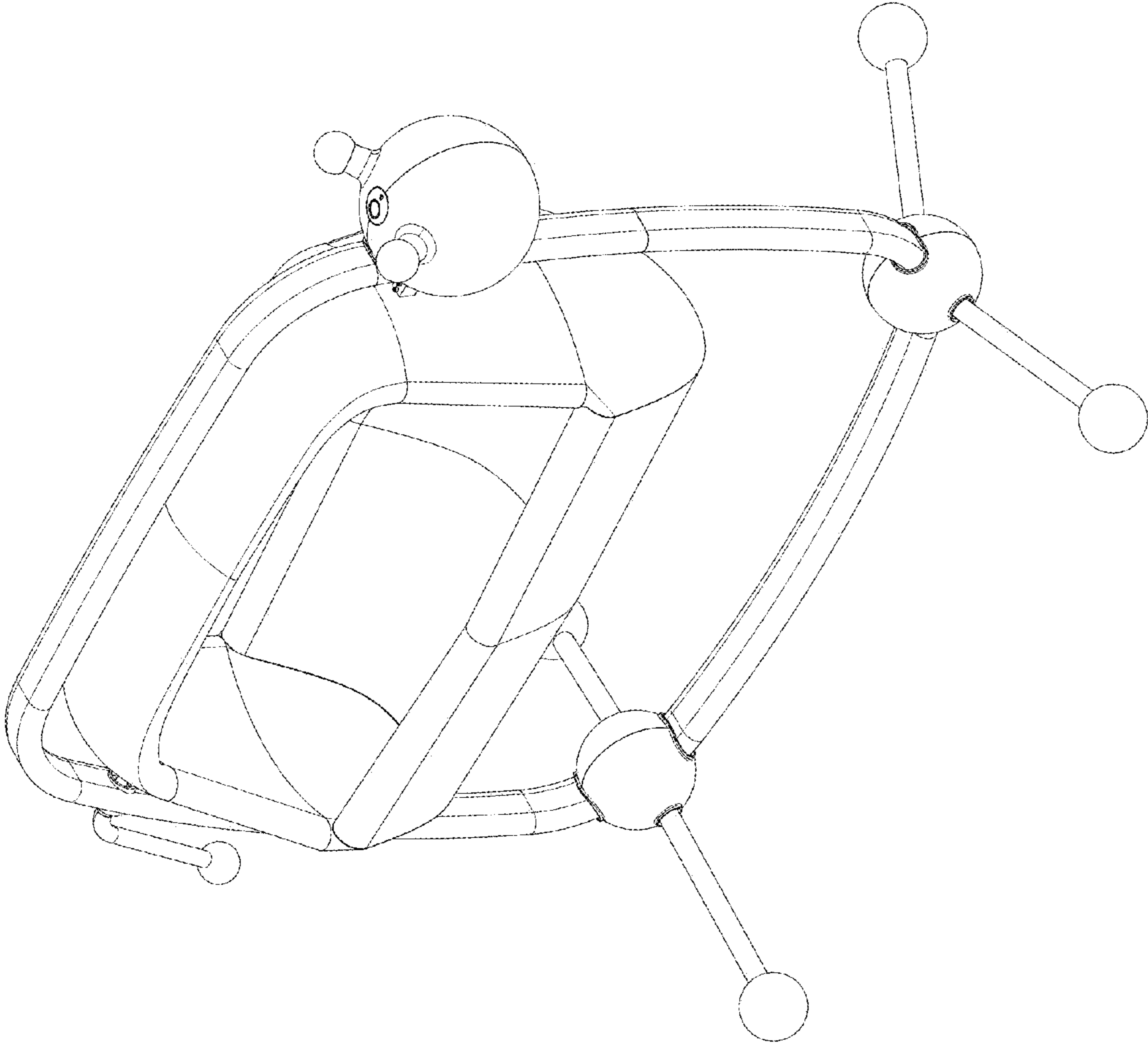


Figure 5

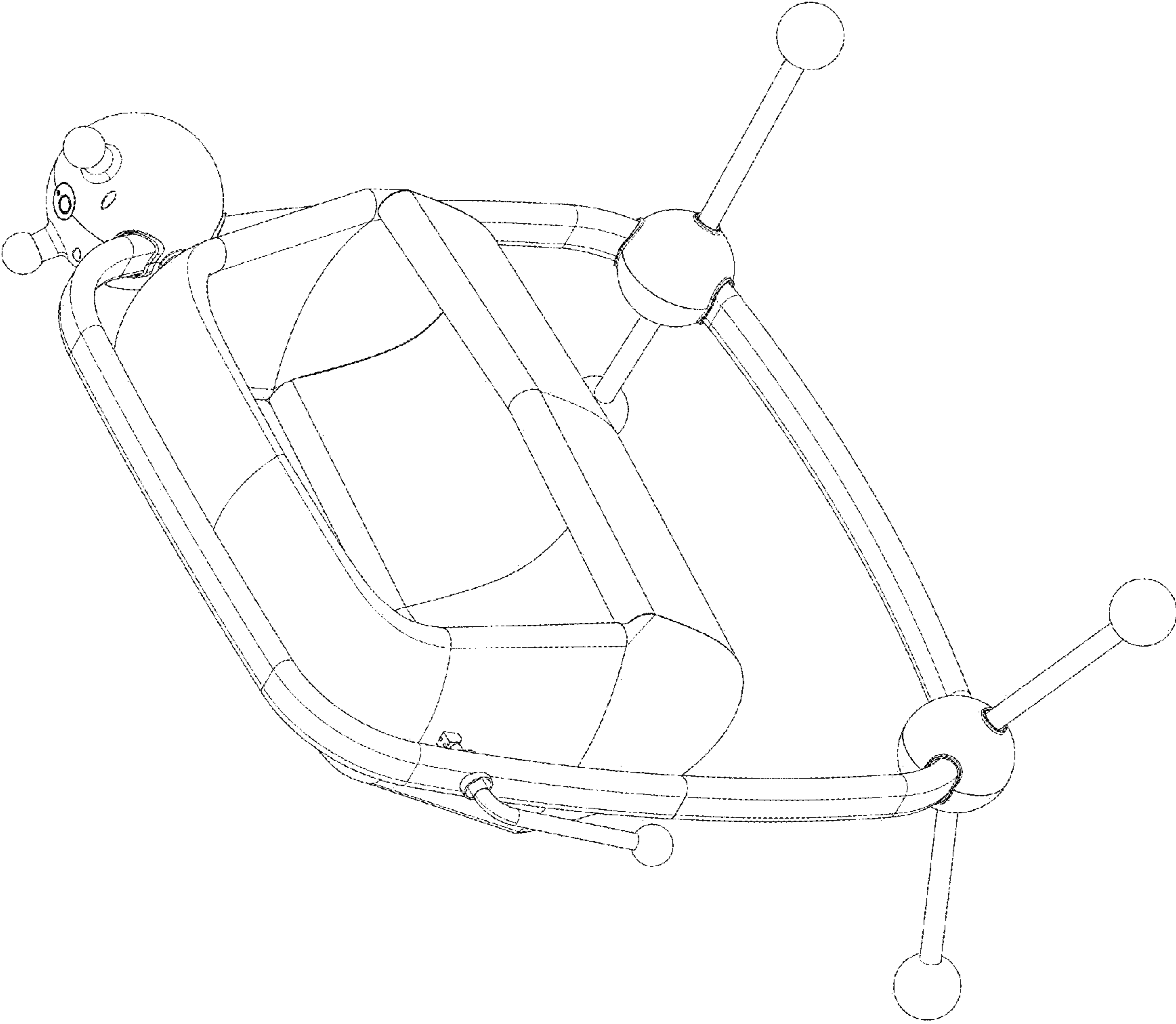


Figure 6

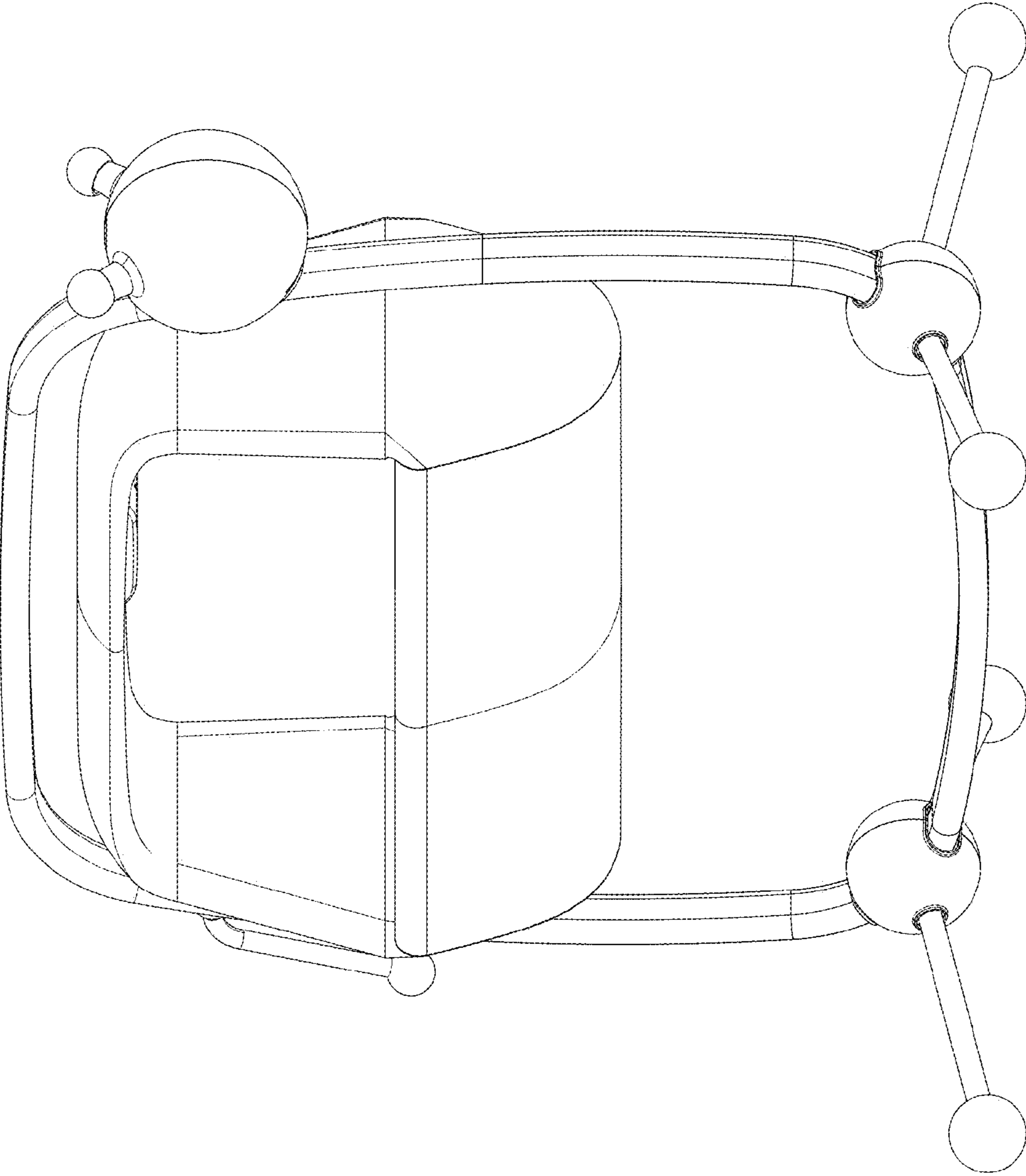


Figure 7