



US00D940470S

(12) **United States Design Patent** (10) **Patent No.:** **US D940,470 S**  
**Svihilik** (45) **Date of Patent:** **\*\* \*Jan. 11, 2022**

(54) **PICTURE FRAME**

D919,703 S \* 5/2021 Yan ..... D19/113  
11,064,822 B1 \* 7/2021 Svihilik ..... A47G 1/06  
2005/0193614 A1 \* 9/2005 Conrad ..... A47G 1/065  
40/757

(71) Applicant: **American Direct Sales, LLC**,  
Valparaiso, IN (US)

(Continued)

(72) Inventor: **Jeffrey A. Svihilik**, Merrillville, IN  
(US)

**FOREIGN PATENT DOCUMENTS**

(73) Assignee: **American Direct Sales, LLC**,  
Valparaiso, IN (US)

EM 007994447-0001 \* 6/2020  
EM 007994447-0002 \* 6/2020

(Continued)

(\* ) Notice: This patent is subject to a terminal dis-  
claimer.

**OTHER PUBLICATIONS**

(\*\* ) Term: **15 Years**

Card Display Shadow Box by Studio Décor [online], [site visited  
Jul. 13, 2021]. Available from internet, URL: <<https://www.michaels.com/card-display-shadow-box-by-studio-decor/10595686.html>> (Year:  
2021).\*

(Continued)

(21) Appl. No.: **29/716,440**

(22) Filed: **Dec. 10, 2019**

*Primary Examiner* — Cynthia Ramirez

(51) **LOC (13) Cl.** ..... **06-07**

*Assistant Examiner* — Xavier Marti-Santos

(52) **U.S. Cl.**  
USPC ..... **D6/300**

(74) *Attorney, Agent, or Firm* — Botkin & Hall, LLP

(58) **Field of Classification Search**  
USPC ..... D6/300–303, 308–314; D11/132, 133;  
D20/10, 19, 27, 42; D26/56  
CPC ... A47G 1/00; A47G 1/02; A47G 1/06; A47G  
1/0605; A47G 1/0638; A47G 1/08; A47G  
1/14; A47G 1/16; A47G 1/1606; A47G  
1/1613; A47G 2001/0661; A47G  
2001/0688; A47G 2001/0694; A47G  
2001/148

(57) **CLAIM**

The ornamental design for a picture frame, as shown and  
described.

See application file for complete search history.

**DESCRIPTION**

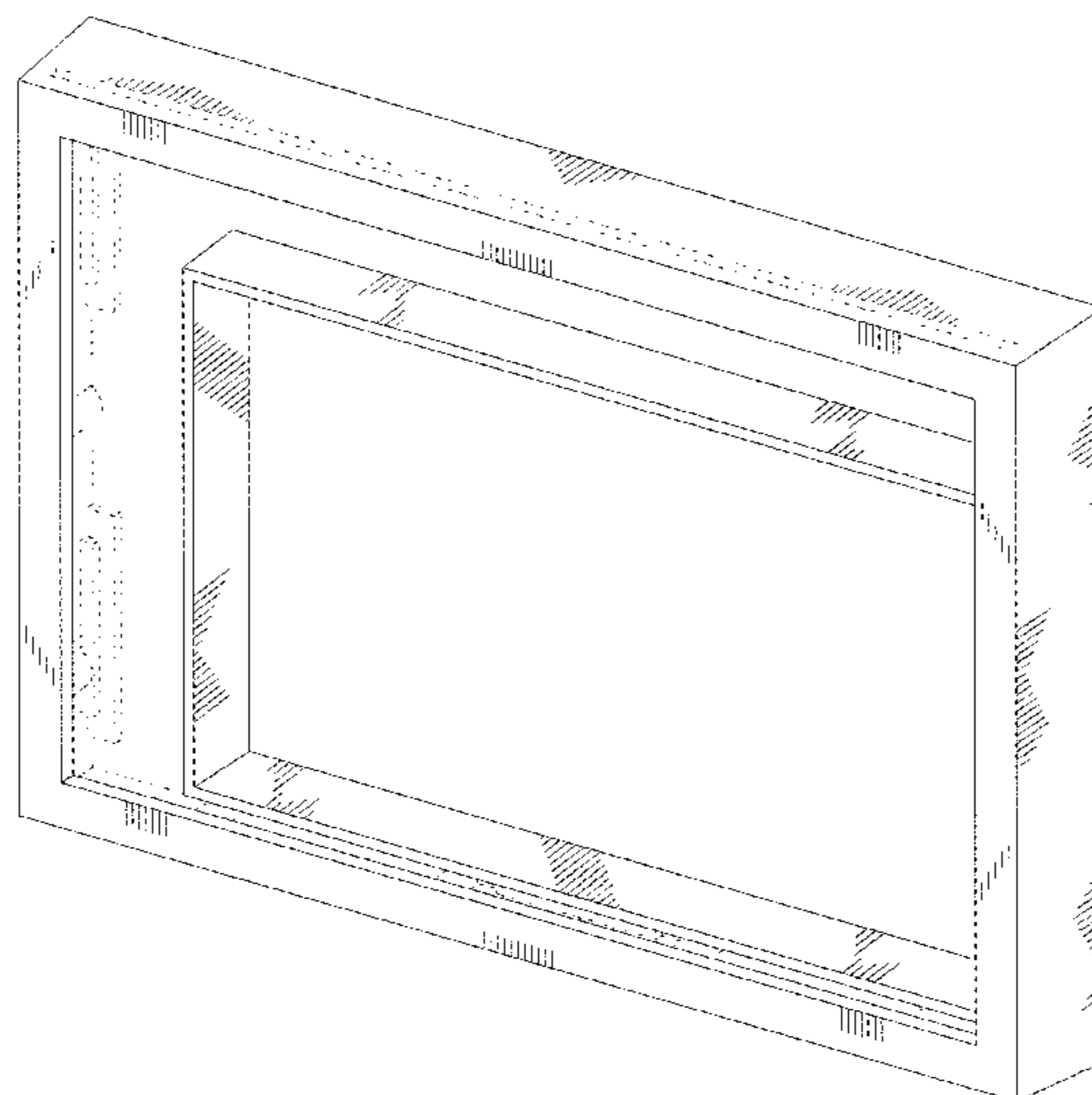
FIG. 1 is a front perspective view of the picture frame  
showing the design;  
FIG. 2 is a rear perspective view of the picture frame of FIG.  
**1**;  
FIG. 3 is a front view of the picture frame of FIG. 1;  
FIG. 4 is a back view of the picture frame of FIG. 1;  
FIG. 5 is a left side view of the picture frame of FIG. 1;  
FIG. 6 is a right side view of the picture frame of FIG. 1;  
FIG. 7 is a top view of the picture frame of FIG. 1; and,  
FIG. 8 is a bottom view of the picture frame of FIG. 1.  
The broken lines depict portions of the picture frame that  
form no part of the claimed design, and are for illustrative  
purposes only.

(56) **References Cited**

**U.S. PATENT DOCUMENTS**

D451,683 S \* 12/2001 Vincent ..... D6/300  
D532,247 S \* 11/2006 Copeland ..... D7/354  
D862,595 S \* 10/2019 Bastiani ..... D20/10  
D903,340 S \* 12/2020 Tsai ..... D6/300  
D903,767 S \* 12/2020 Borell ..... D20/42  
D917,182 S \* 4/2021 Katz ..... D6/300

**1 Claim, 5 Drawing Sheets**



(56)

**References Cited**

U.S. PATENT DOCUMENTS

2015/0272350 A1\* 10/2015 Frankenstein ..... A47G 1/06  
40/711  
2016/0341415 A1\* 11/2016 Lumaye ..... A45D 42/10  
2017/0135504 A1\* 5/2017 Jones ..... A47G 1/1666  
2017/0224136 A1\* 8/2017 Guitton ..... A47G 1/06  
2017/0273478 A1\* 9/2017 Fortunato Honeyman .....  
A47G 1/0605

FOREIGN PATENT DOCUMENTS

GB 9007994447-0001 \* 6/2020  
GB 9007994447-0002 \* 6/2020

OTHER PUBLICATIONS

Shadow Box Frame 4x6 [online], [site visited Jul. 13, 2021].  
Available from internet, URL: <<https://www.retreathomefurniture.com/foreside-shadow-box-frame-4x6/535896-p20507/iteminformation.aspx>> (Year: 2021).\*

\* cited by examiner

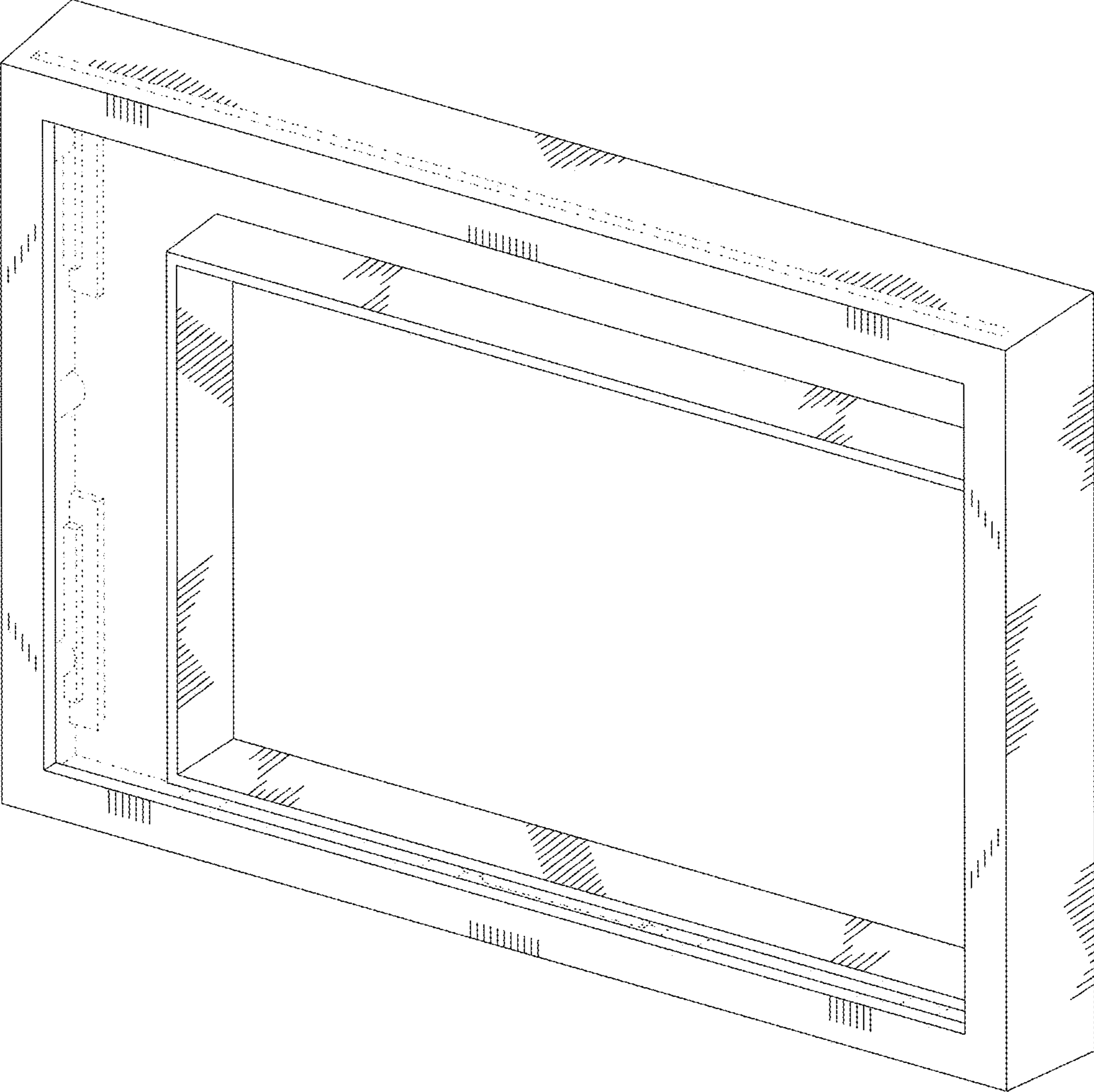


Fig. 1

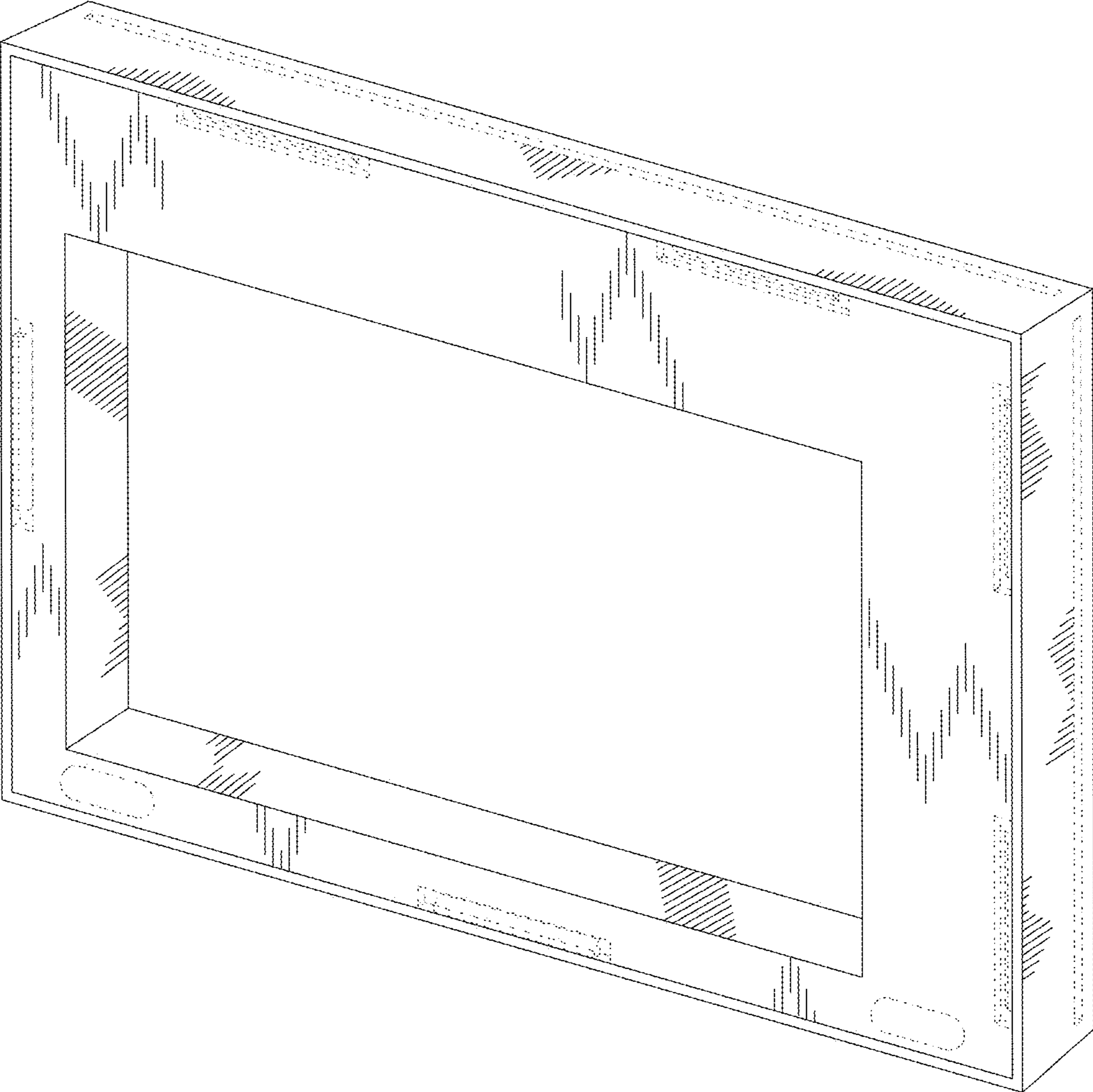


Fig. 2

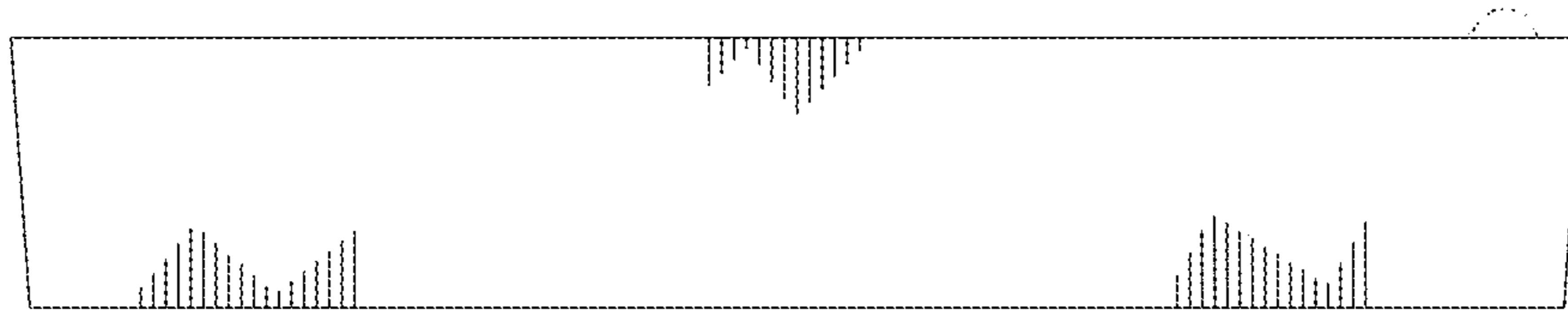


Fig. 6

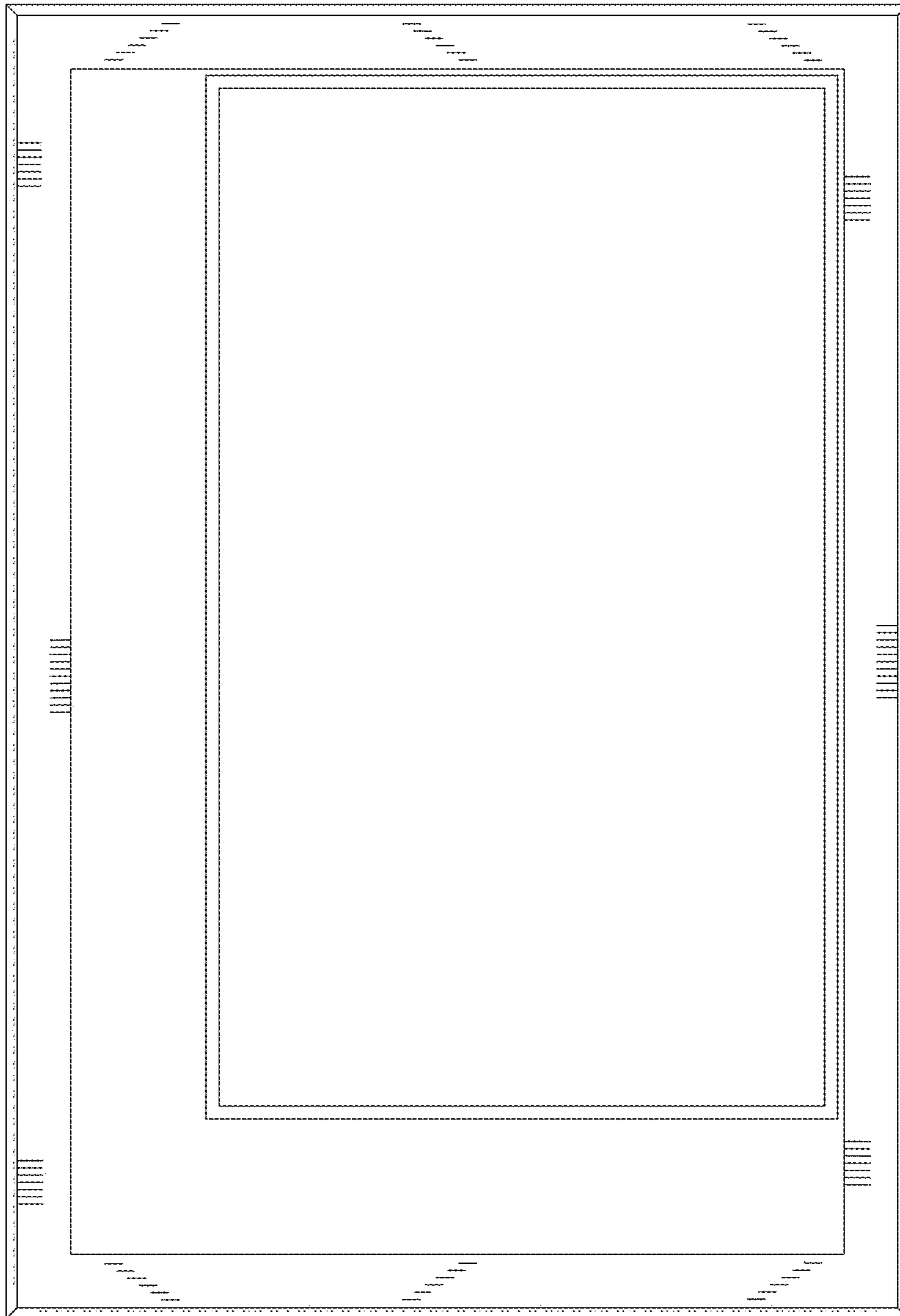


Fig. 5

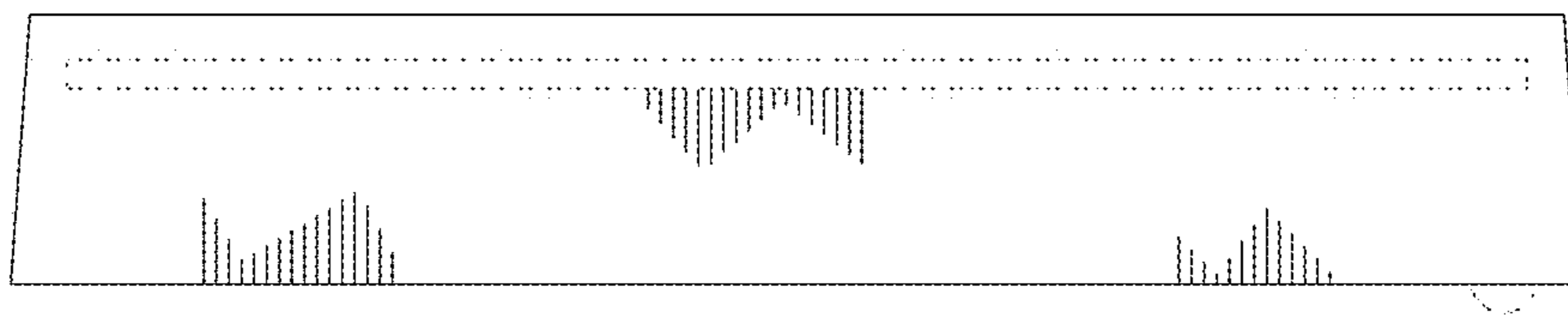


Fig. 3

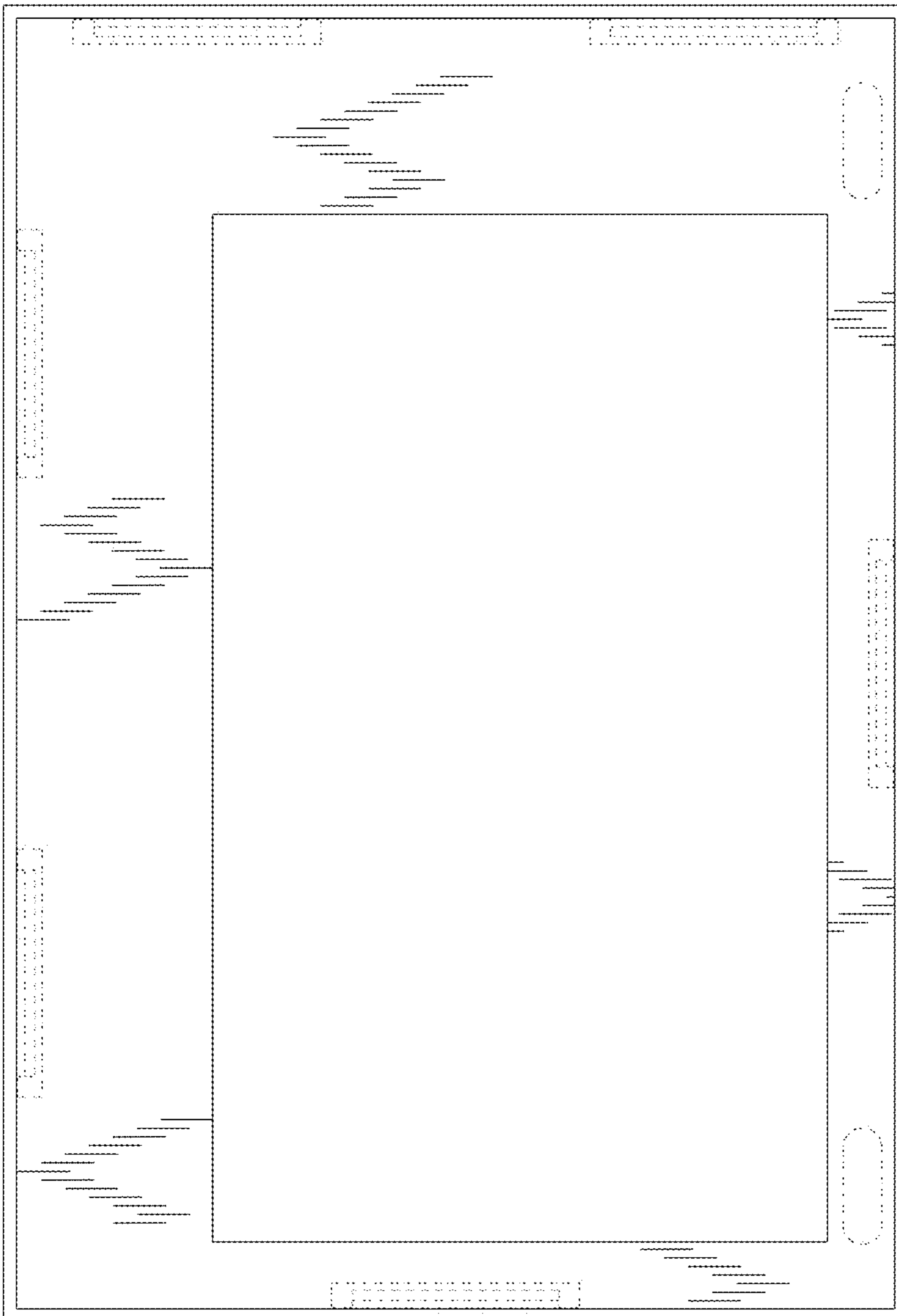


Fig. 4

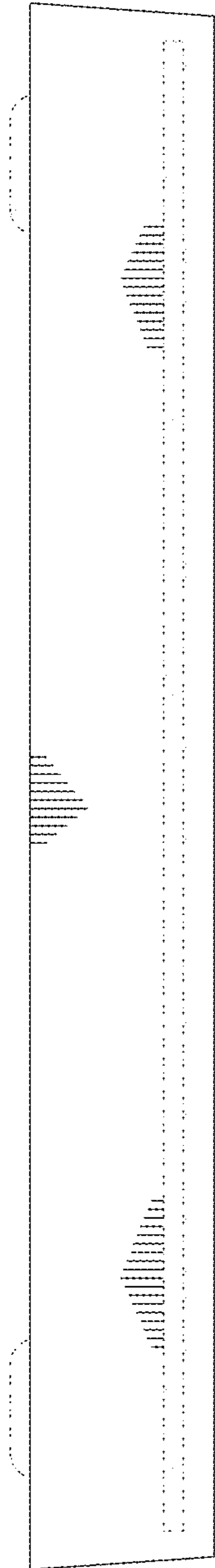


Fig. 7

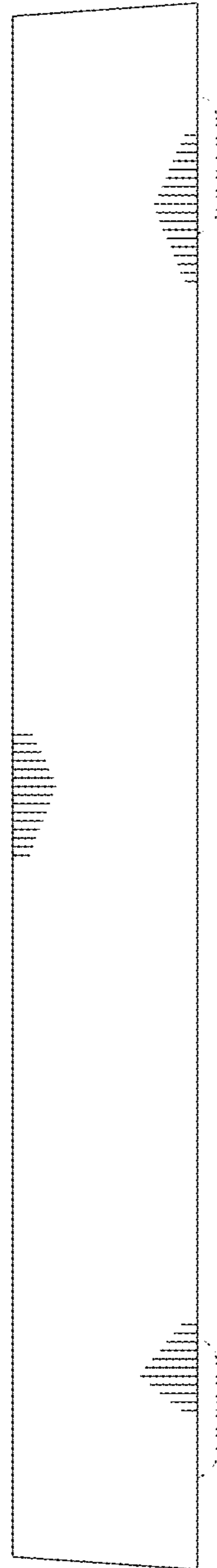


Fig. 8