



US00D940469S

(12) **United States Design Patent**
Sommer et al.

(10) **Patent No.:** **US D940,469 S**

(45) **Date of Patent:** **** Jan. 11, 2022**

(54) **SCALP BRUSH**

(71) Applicant: **J & D Brush Co., LLC**, Commack, NY (US)

(72) Inventors: **Henry David Sommer**, Atlanta, GA (US); **Rebekah Dorsey**, Commack, NY (US)

(73) Assignee: **J & D Brush Co., LLC**, Commack, NY (US)

(**) Term: **15 Years**

(21) Appl. No.: **29/762,259**

(22) Filed: **Dec. 15, 2020**

(51) **LOC (13) Cl.** **04-02**

(52) **U.S. Cl.**
USPC **D4/134**

(58) **Field of Classification Search**
USPC D4/100, 102, 121, 127, 126, 128, 129, D4/130, 132, 133, 134, 135, 136, 138, D4/199; D24/211, 214, 215; D30/158, D30/159, 160; D32/35
CPC A46B 2200/1006; A46B 2200/102; A46B 2200/10

See application file for complete search history.

(56) **References Cited**

U.S. PATENT DOCUMENTS

309,668 A * 12/1884 Weightman A01K 13/002
119/613
D194,255 S * 12/1962 Altmeyer et al. D24/212

D232,547 S * 8/1974 Walti D22/124
D324,778 S * 3/1992 Whittington D28/63
5,285,774 A * 2/1994 Stachurski A46B 5/002
132/129
D430,936 S * 9/2000 Noble D24/211
D438,387 S * 3/2001 Sharp D4/121
D893,194 S * 8/2020 Maor D4/100
D905,967 S * 12/2020 Dunn D4/126

* cited by examiner

Primary Examiner — Karen E Eldridge Powers

(74) *Attorney, Agent, or Firm* — Gloria Tsui-Yip, Esq.;
Gottlieb, Rackman & Reisman, P.C.

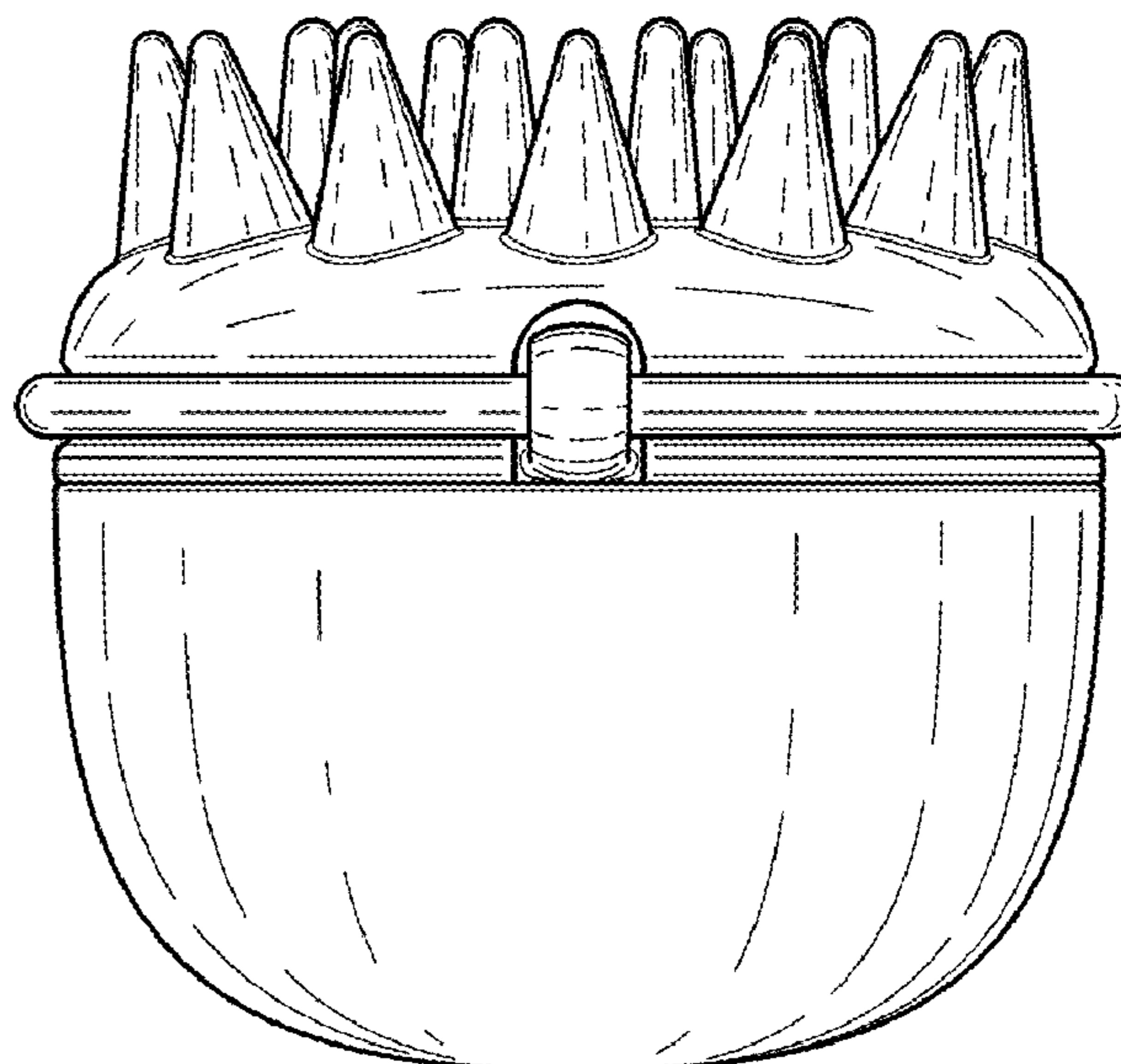
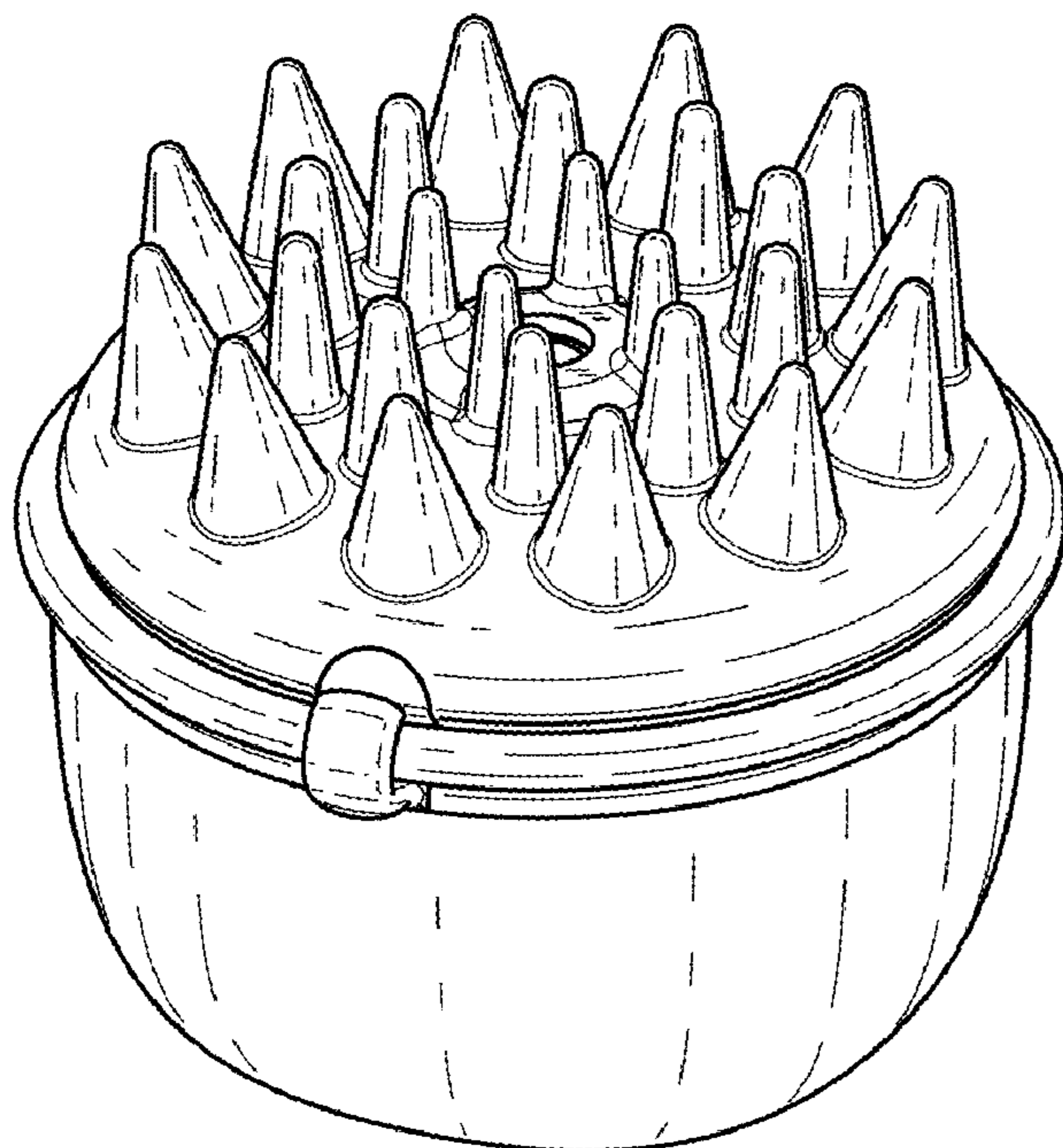
(57) **CLAIM**

The ornamental design for a scalp brush, as shown and described.

DESCRIPTION

FIG. 1 is a perspective view of a scalp brush of my new design;
FIG. 2 is a top plan view thereof;
FIG. 3 is a bottom plan view thereof;
FIG. 4 is a front elevational view thereof;
FIG. 5 is a rear elevational view thereof;
FIG. 6 is a left side elevational view thereof; and,
FIG. 7 is a right side elevational view thereof.

1 Claim, 4 Drawing Sheets



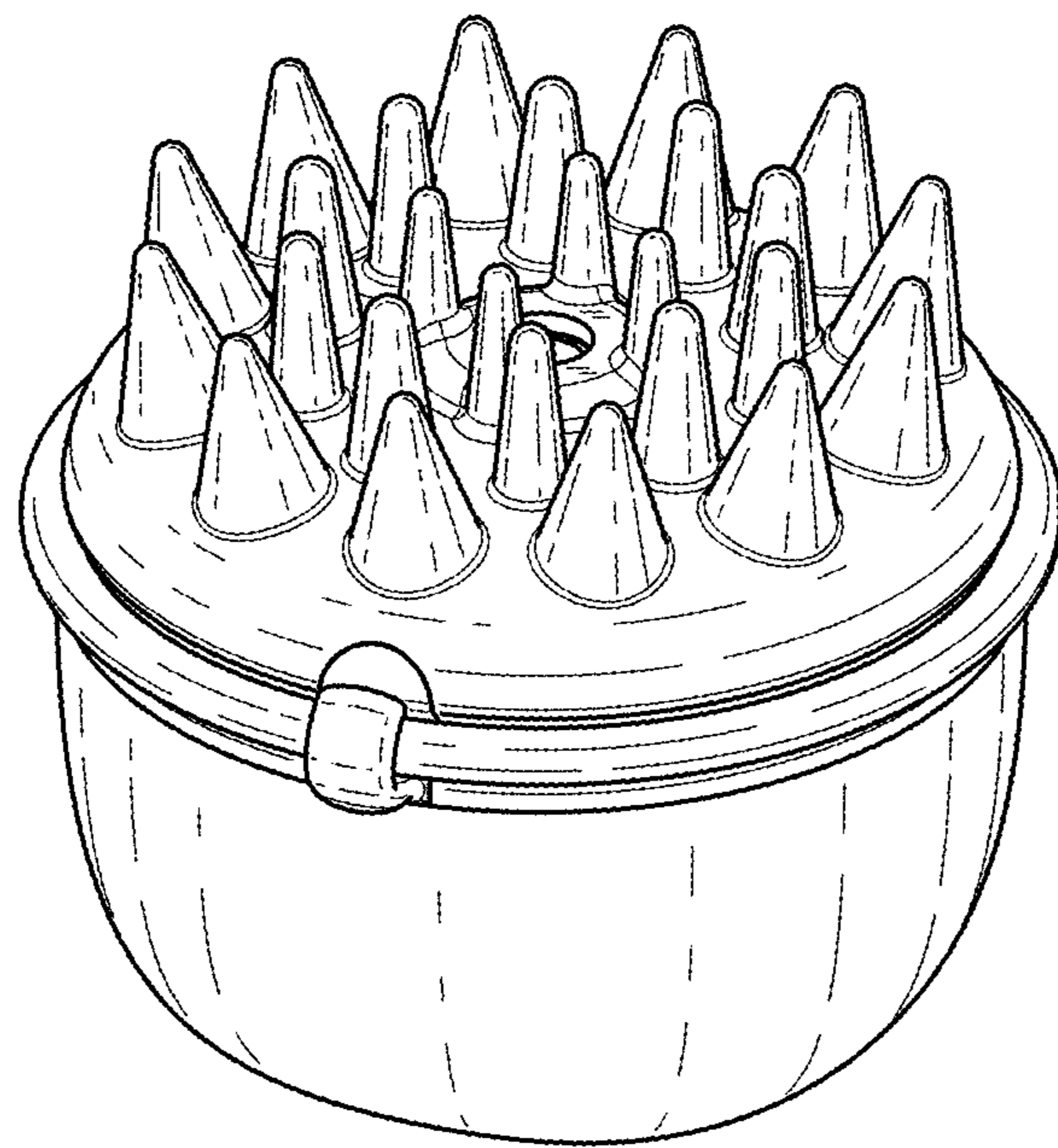


FIG.1

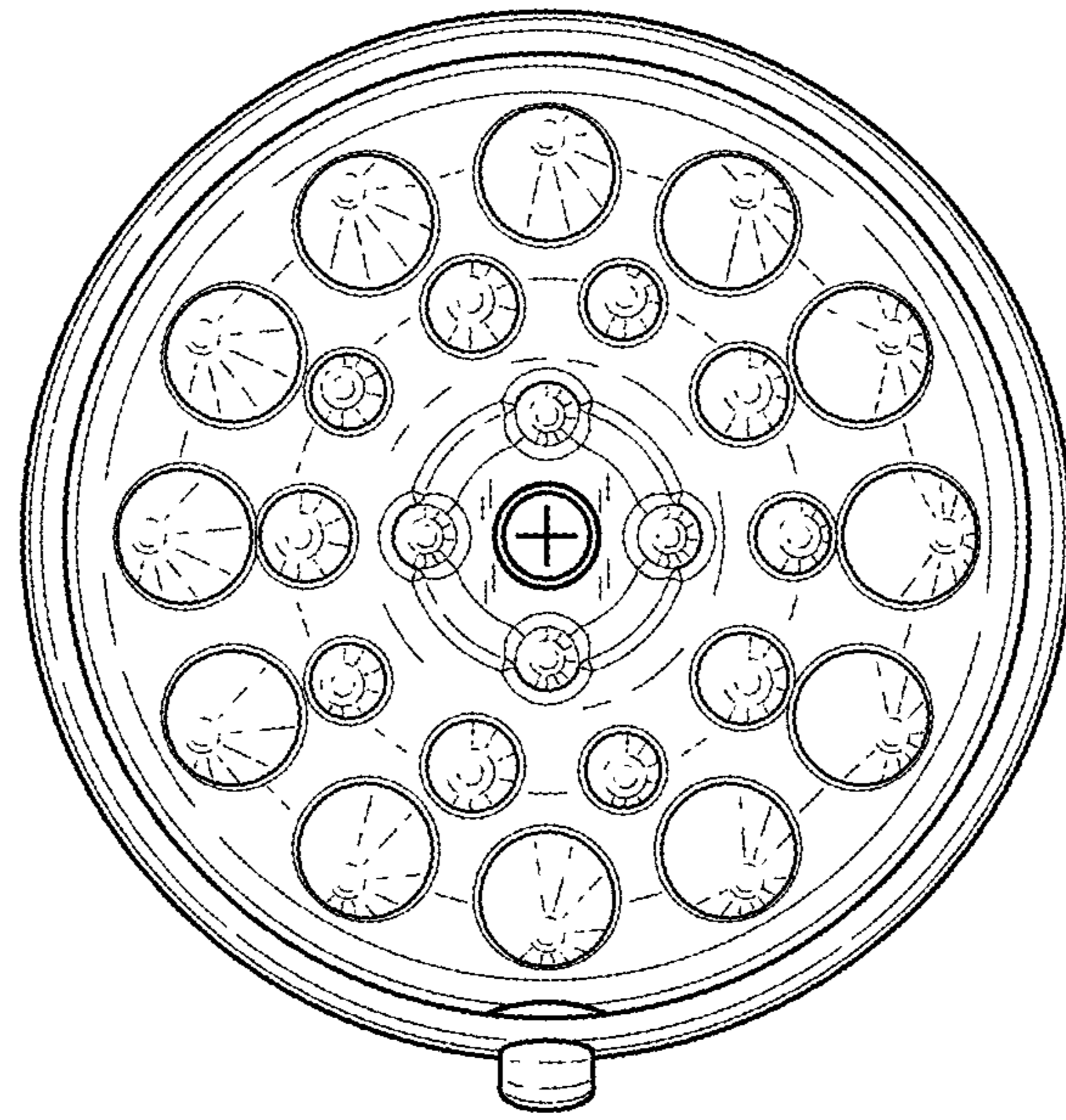


FIG. 2

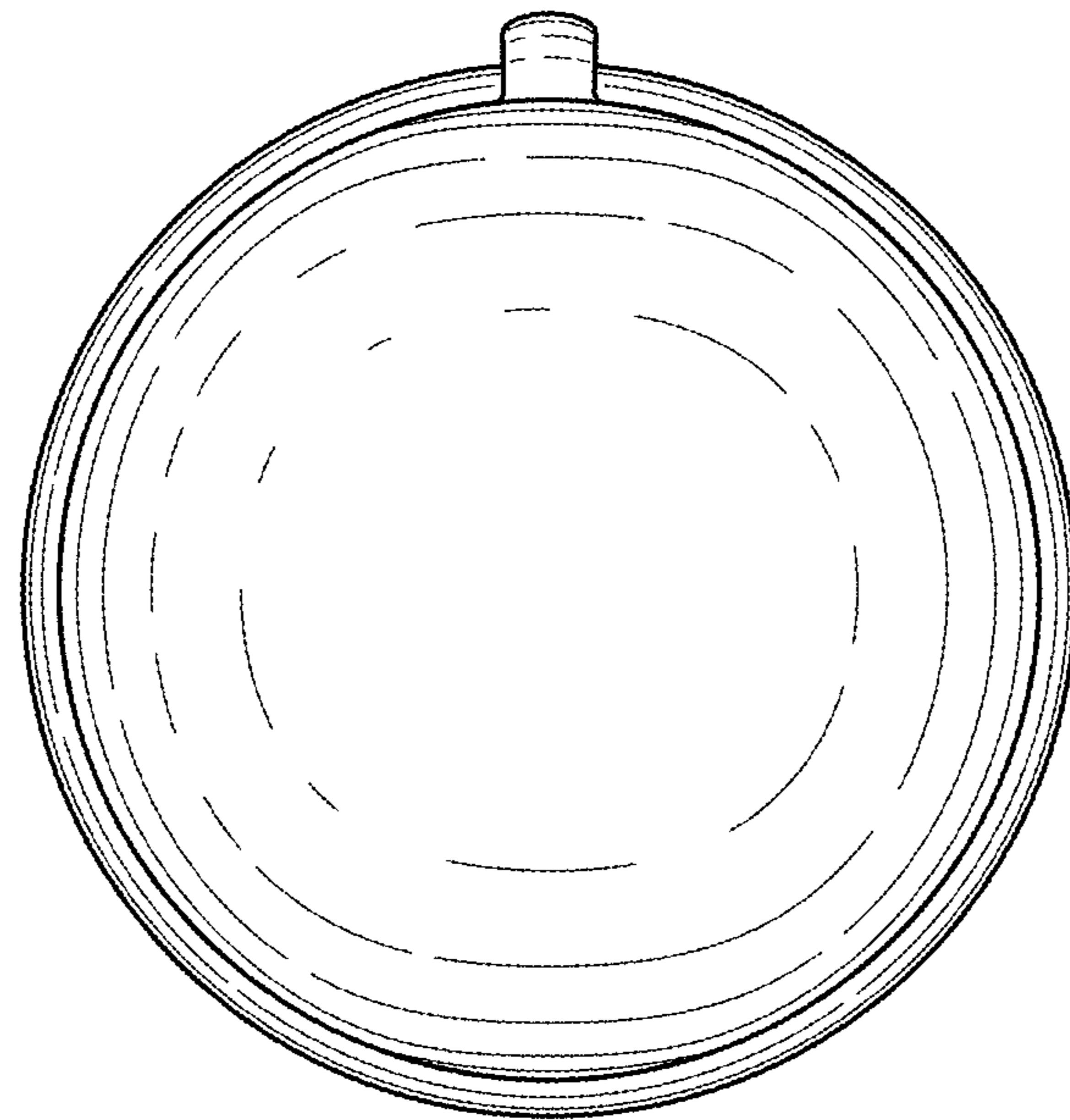


FIG. 3

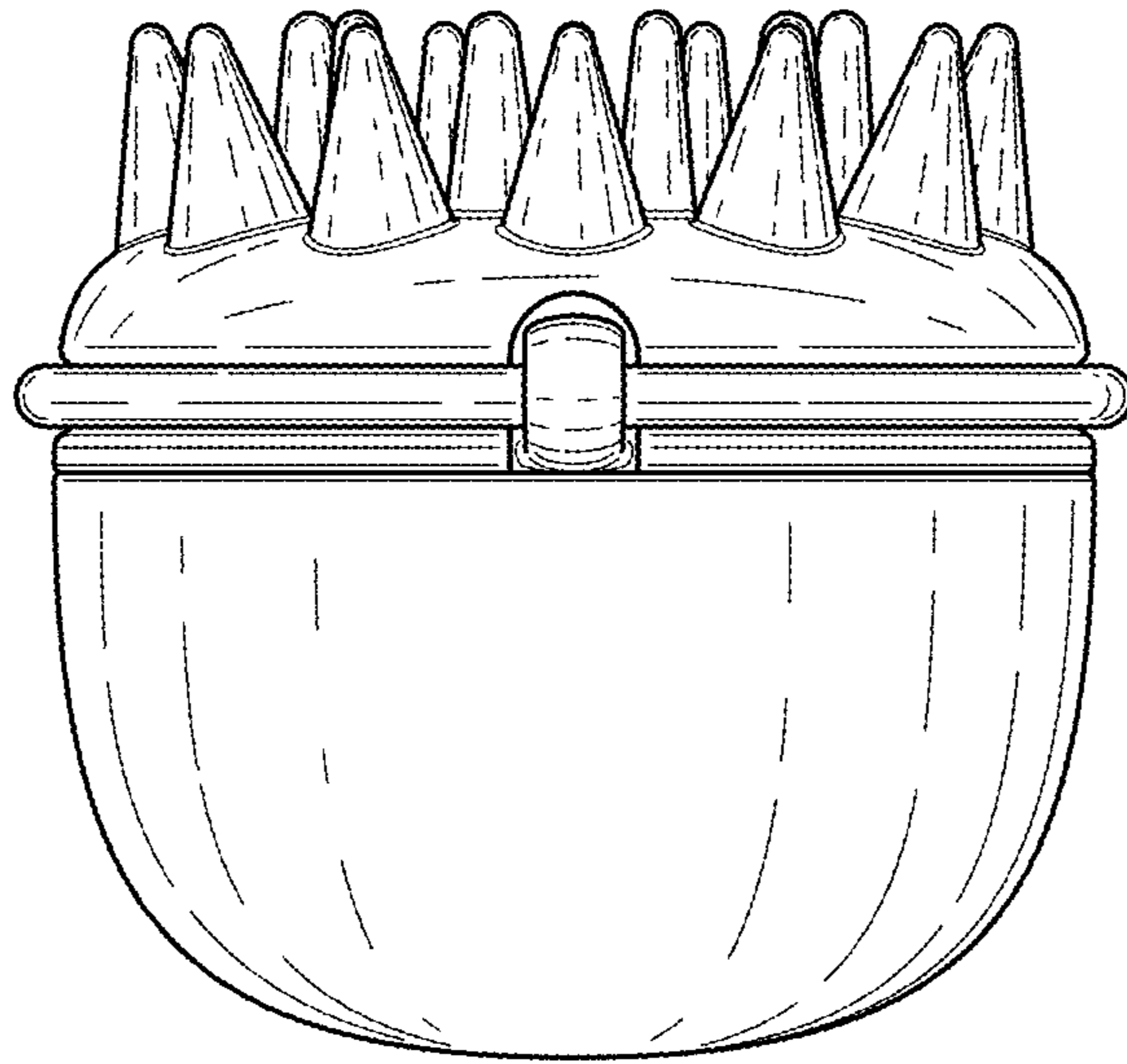


FIG. 4

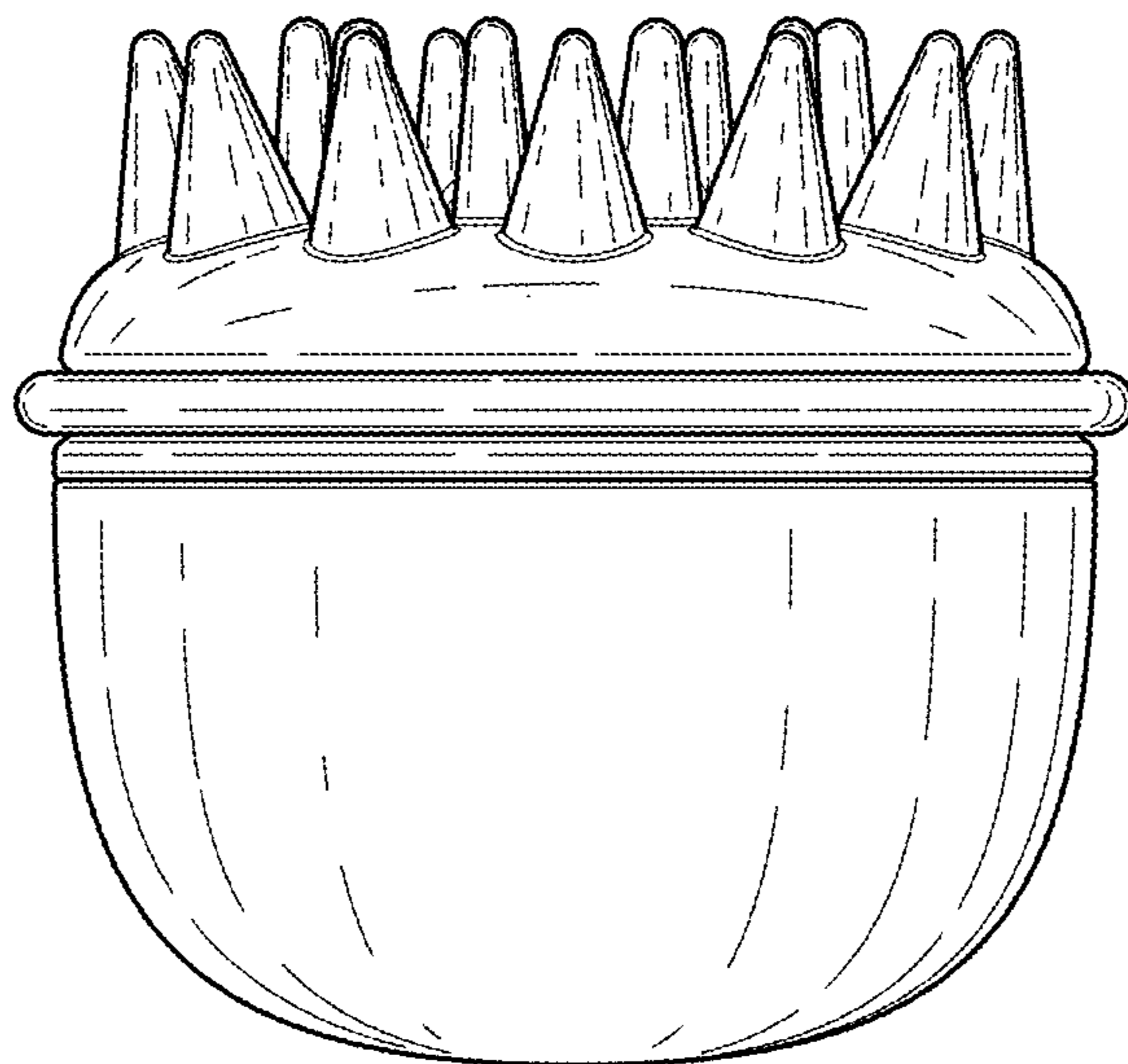


FIG. 5

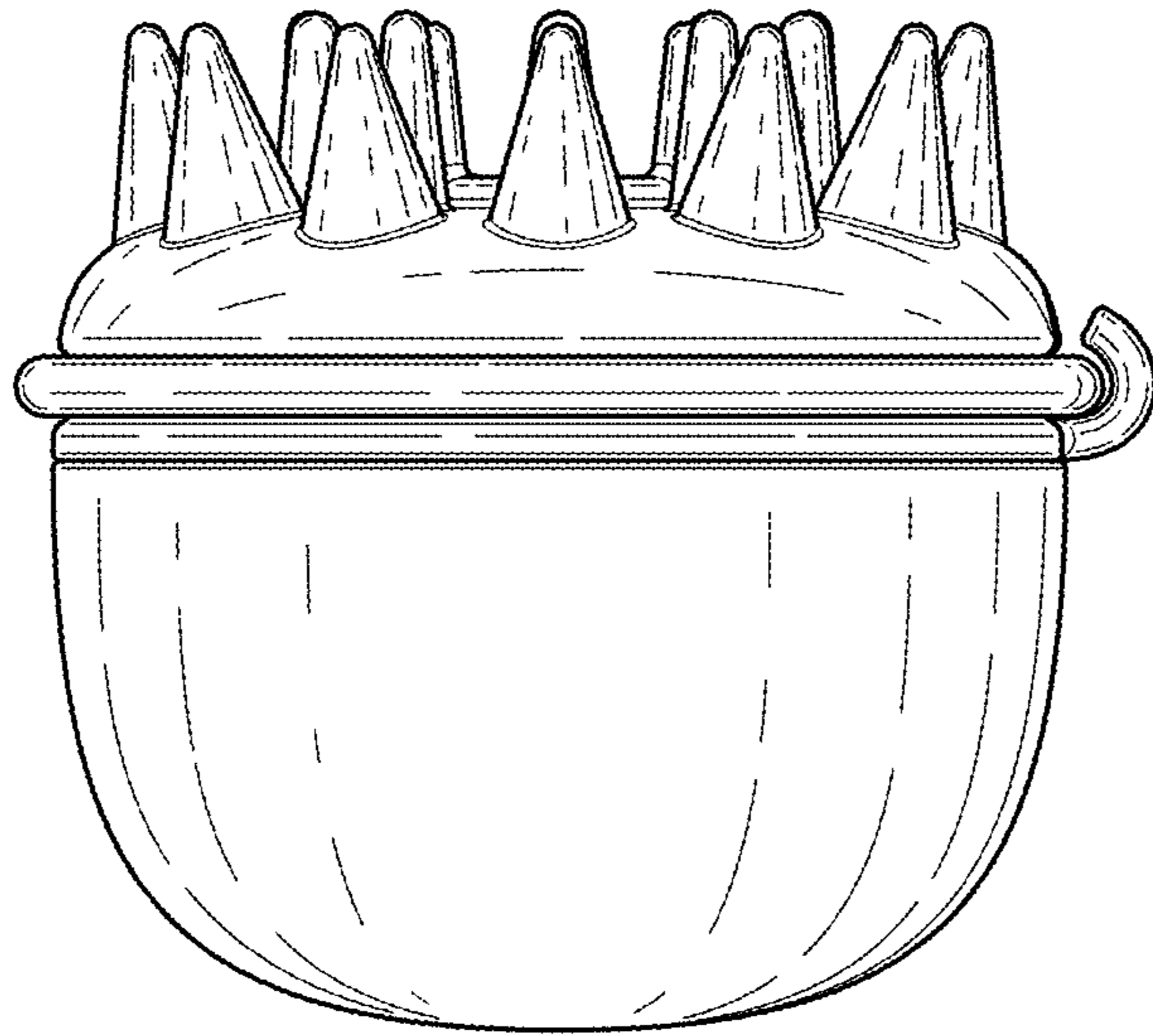


FIG. 6

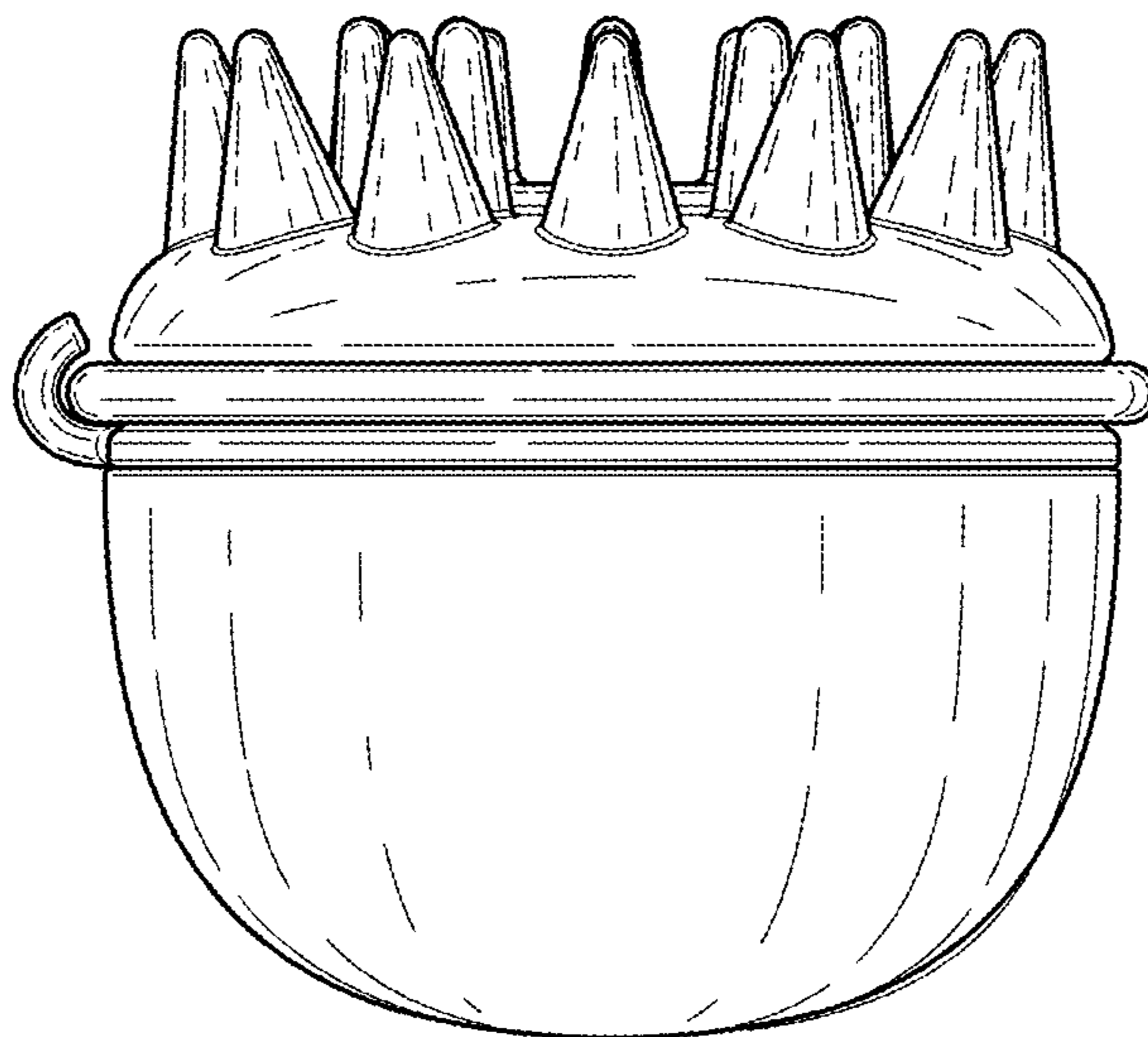


FIG. 7