

US00D940466S

(12) **United States Design Patent**
Russo

(10) **Patent No.:** **US D940,466 S**

(45) **Date of Patent:** **** Jan. 11, 2022**

(54) **BRUSH**

(71) Applicant: **J & D Brush Co., LLC**, Commack, NY (US)

(72) Inventor: **Melissa Russo**, Commack, NY (US)

(73) Assignee: **J & D Brush Co., LLC**, Commack, NY (US)

(**) Term: **15 Years**

(21) Appl. No.: **29/722,323**

(22) Filed: **Jan. 28, 2020**

(51) **LOC (13) Cl.** **04-02**

(52) **U.S. Cl.**
USPC **D4/128**

(58) **Field of Classification Search**
USPC D4/128, 129, 131, 136, 138, 108, 109, D4/119; D32/35, 51; 15/104.5, 104.16, 15/104.2, 104.31, 104.32, 164, 165, 206; D28/65; D7/682; 452/298, 458
CPC A46B 2200/10; A46B 2200/104; A45D 2/10; A45D 1/00; A46D 1/003; A46D 3/087
See application file for complete search history.

(56) **References Cited**

U.S. PATENT DOCUMENTS

D436,736 S	1/2001	Bigio	
6,739,016 B2	5/2004	Bigio	
D823,005 S *	7/2018	Kuo	D4/128
D832,592 S *	11/2018	Kuo	D4/128
D846,887 S *	4/2019	Treeby	D4/128
D847,514 S *	5/2019	Maman	D4/128

D856,683 S *	8/2019	Rennette	D4/128
D884,360 S *	5/2020	Hou	D4/128
D911,717 S *	3/2021	Rennette	D4/128
D916,468 S *	4/2021	Rennette	D4/128
D928,514 S *	8/2021	Rennette	D4/128
D930,992 S *	9/2021	Hinds	D4/128

* cited by examiner

Primary Examiner — Austin Murphy

(74) *Attorney, Agent, or Firm* — Gloria Tsui-Yip, Esq.;
Gottlieb, Rackman & Reisman, P.C.

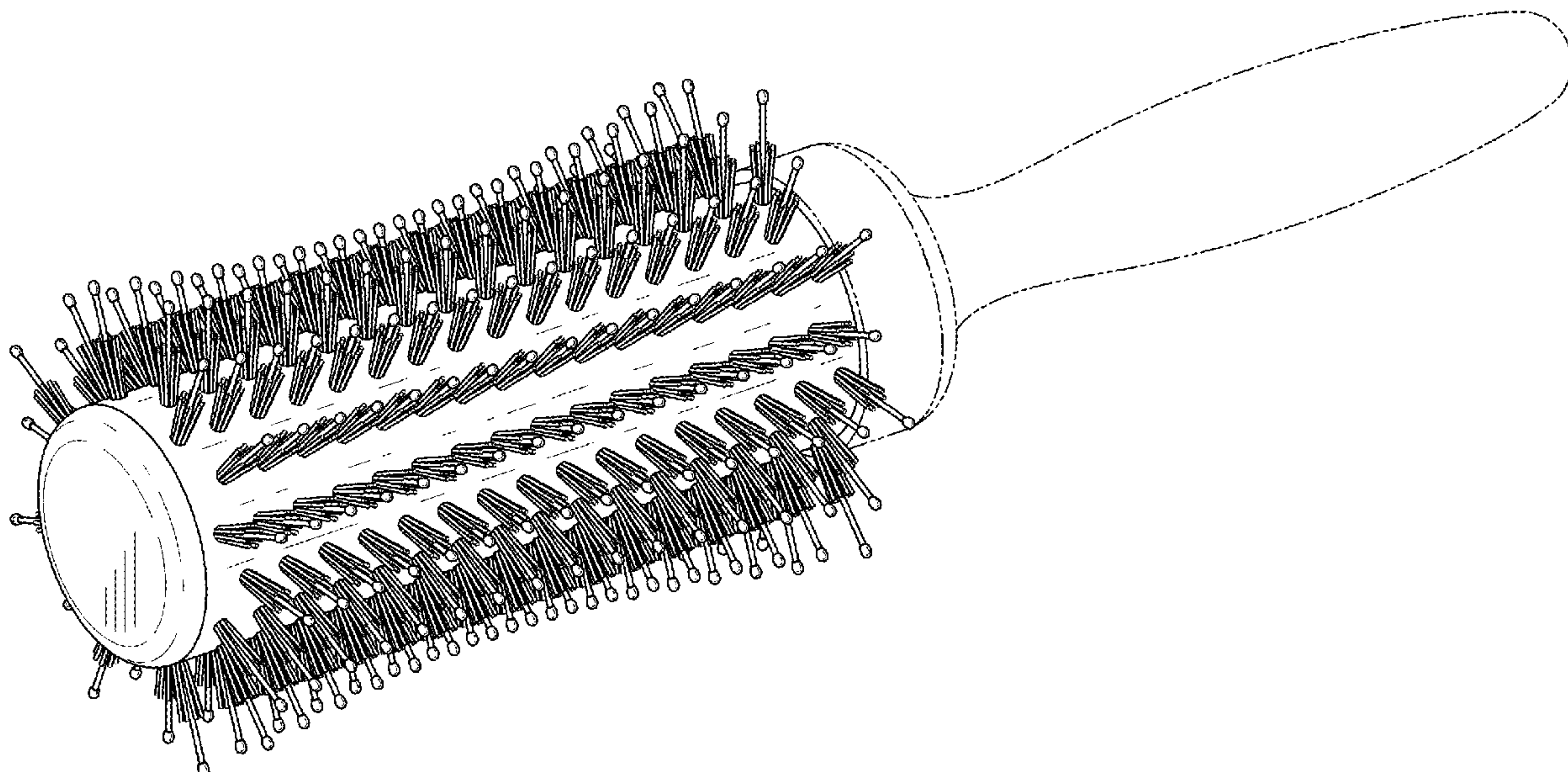
(57) **CLAIM**

The ornamental design for a brush, as shown and described.

DESCRIPTION

FIG. 1 is a front elevational view showing a brush of my new design, the rear elevational, the top plan, and the bottom plan views are identical;
FIG. 2 is a left side elevational view thereof;
FIG. 3 is a right side elevational view thereof;
FIG. 4 is a perspective view thereof;
FIG. 5 is a front elevational view showing the brush of my new design with a different handle shown in broken line, the left and right side elevational views being identical to FIGS. 2 and 3;
FIG. 6 is a top plan view thereof;
FIG. 7 is a rear elevational view thereof;
FIG. 8 is a bottom plan view thereof; and,
FIG. 9 is a perspective view thereof.
The broken line showing of the brush handle illustrates environmental structure that forms no part of the claimed design.

1 Claim, 6 Drawing Sheets



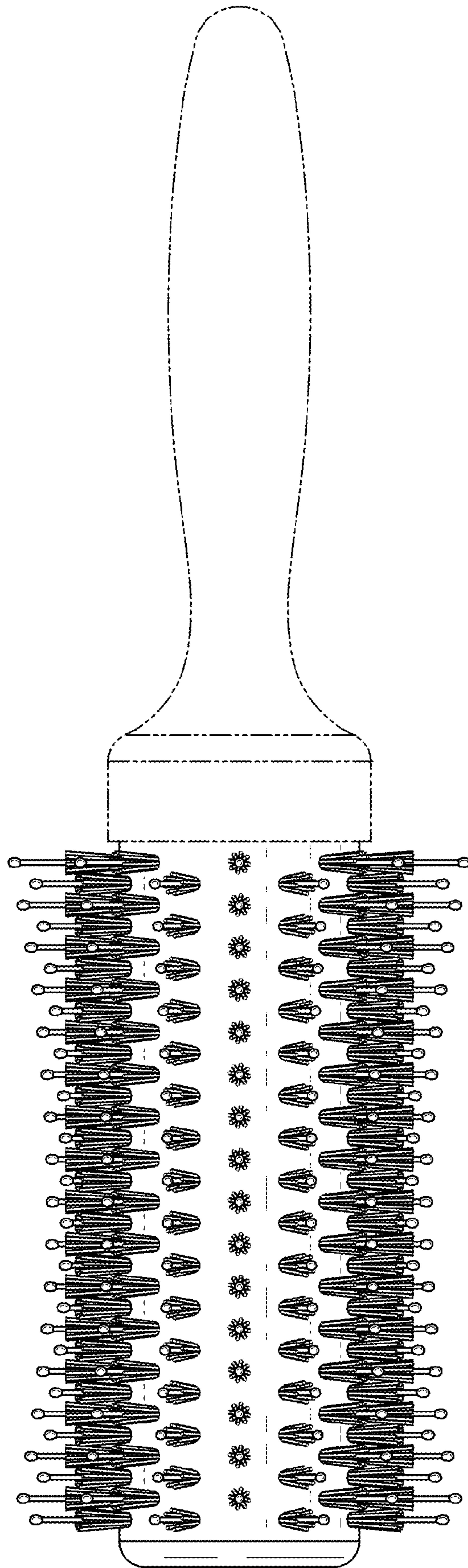


FIG. 1

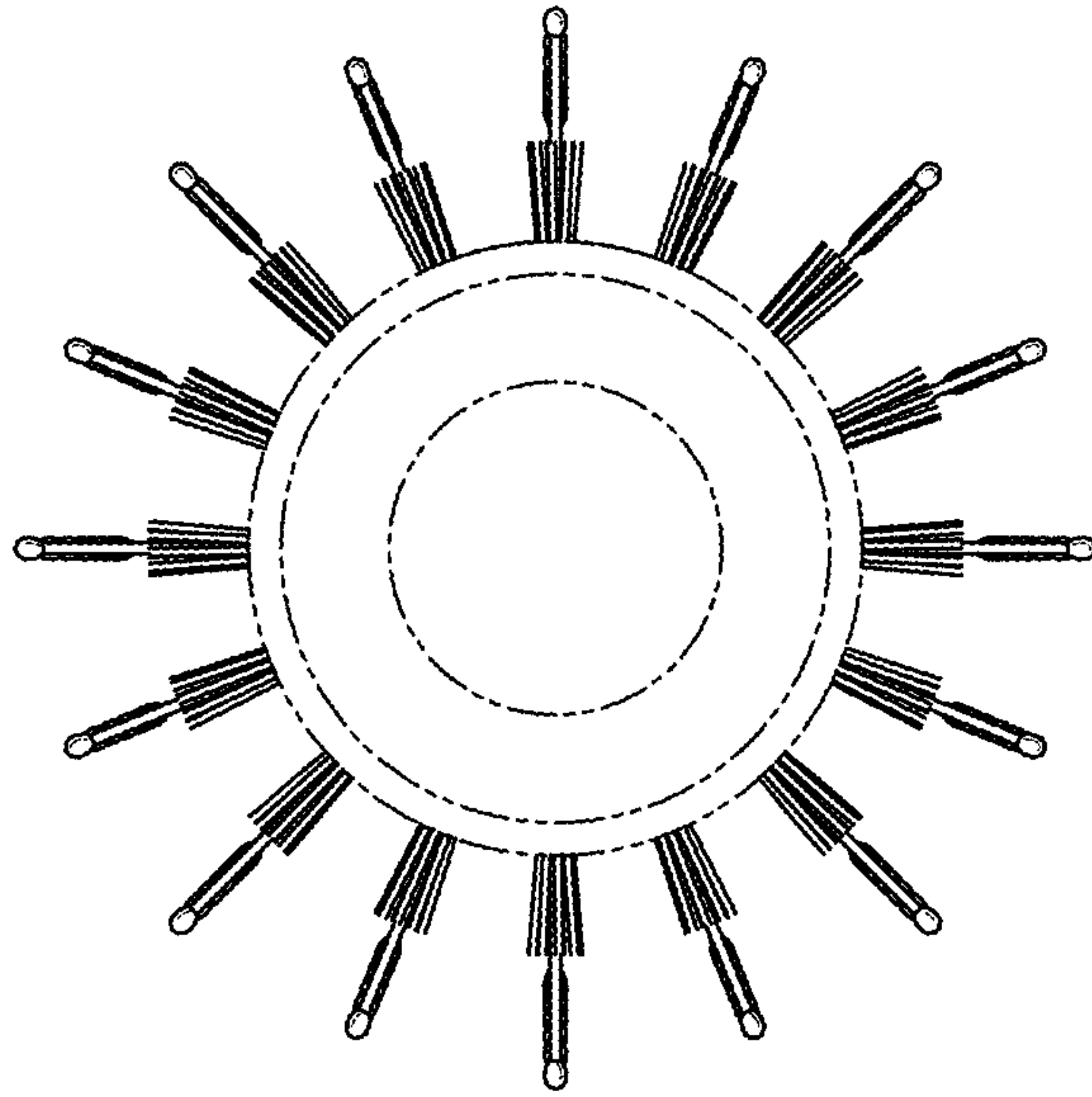


FIG.3

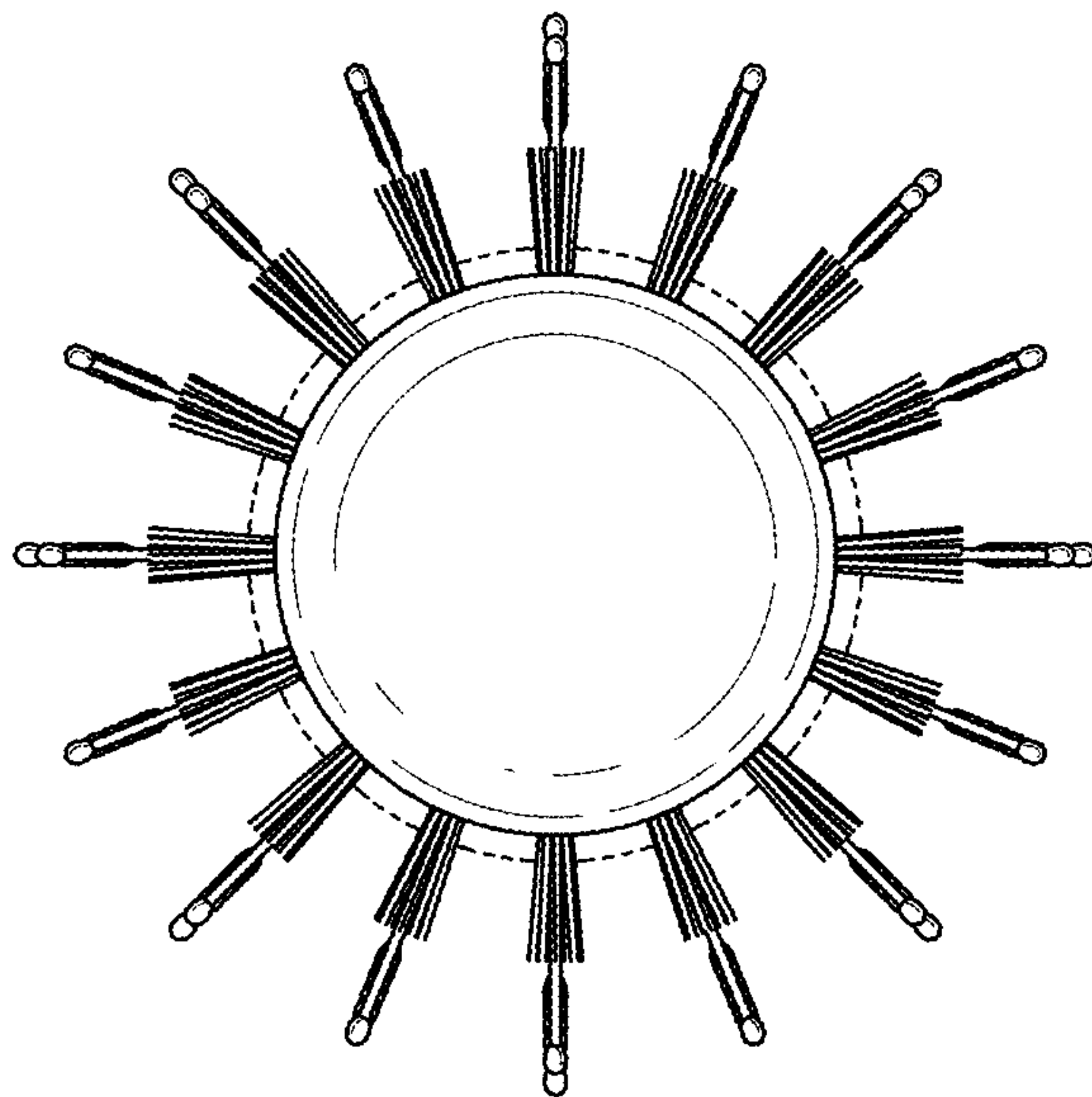


FIG.2

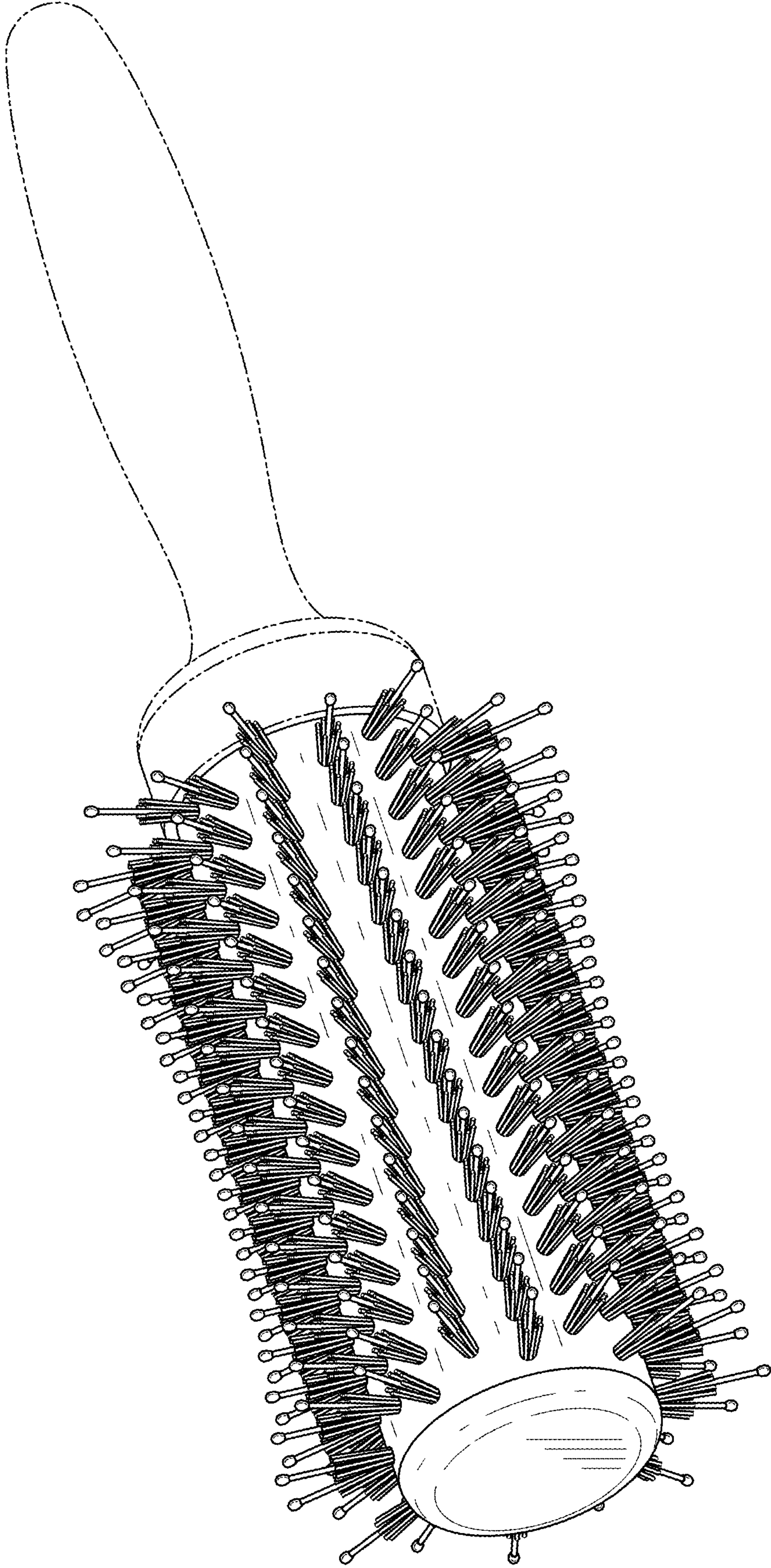


FIG.4

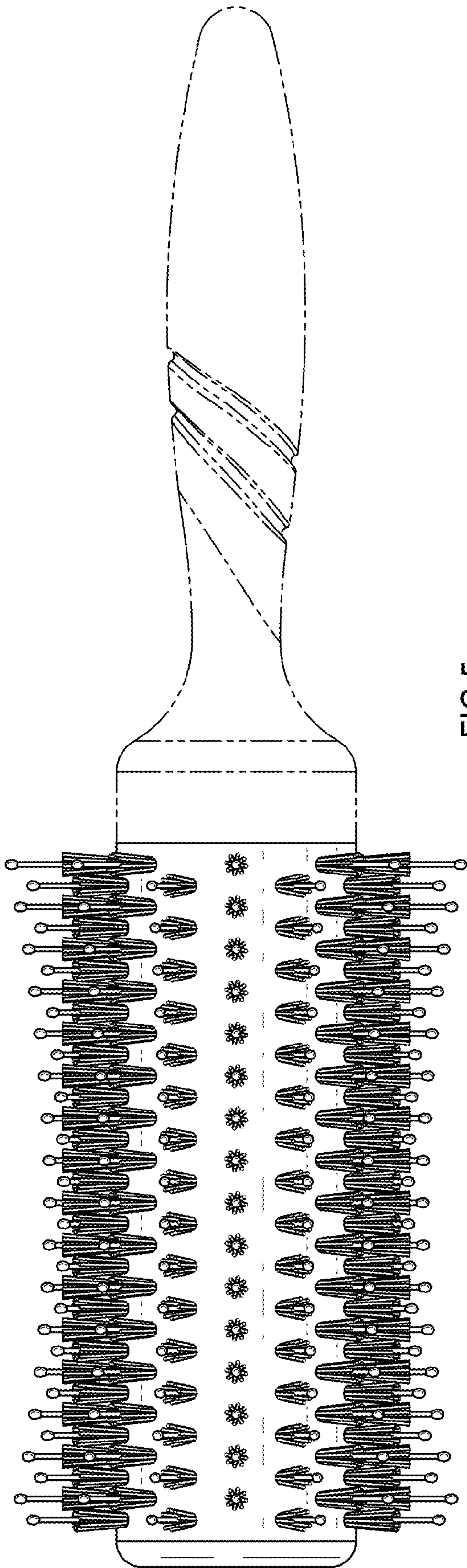


FIG. 5

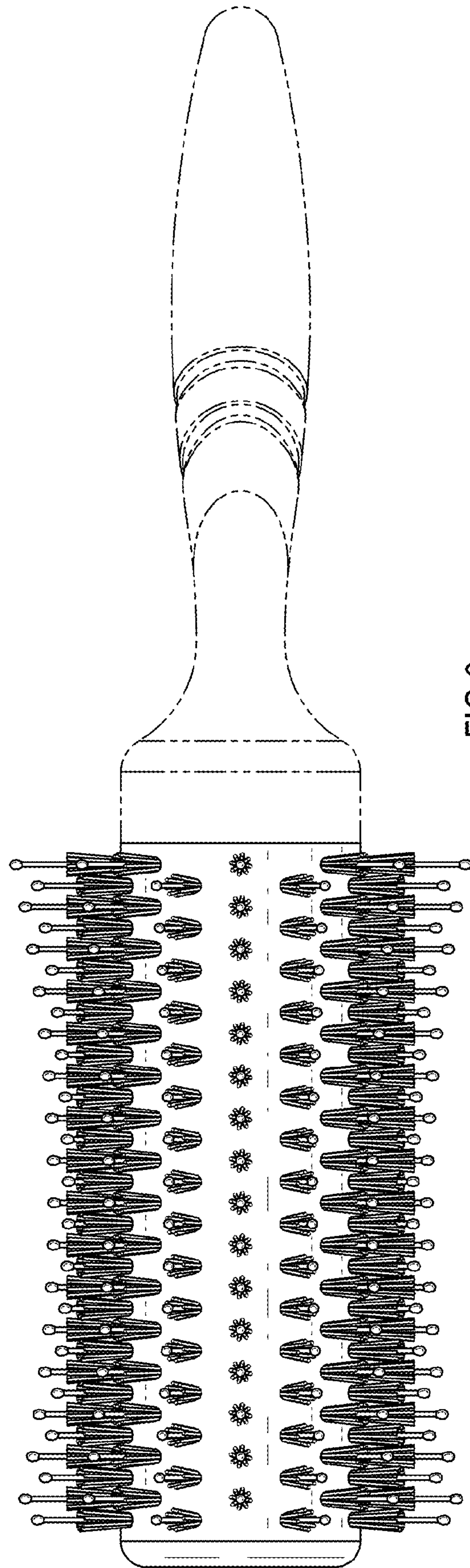
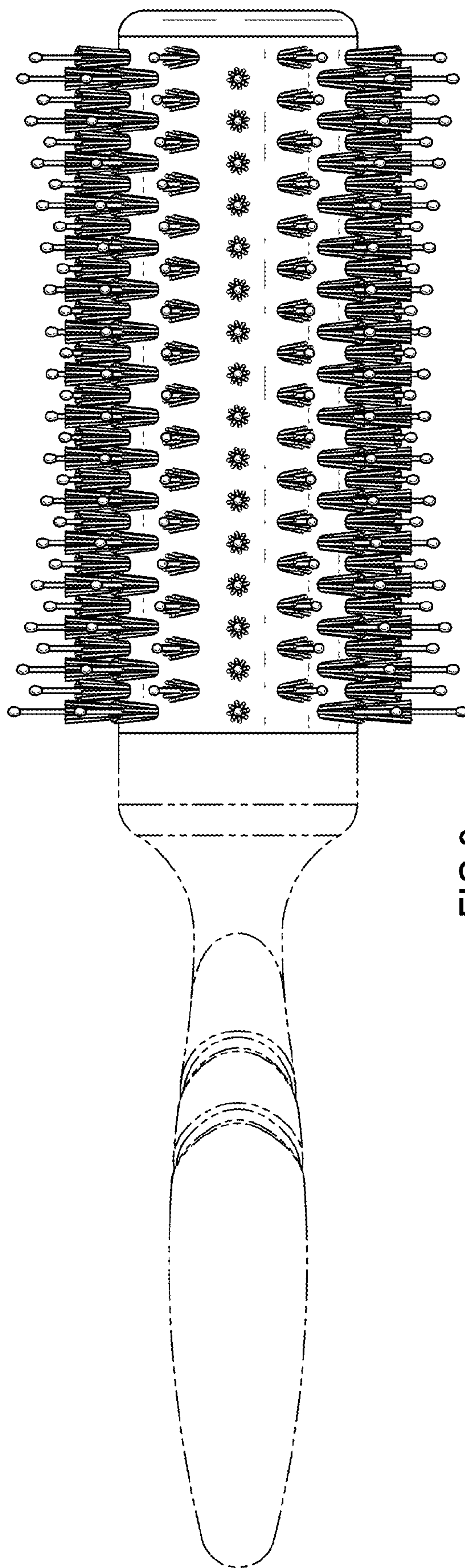
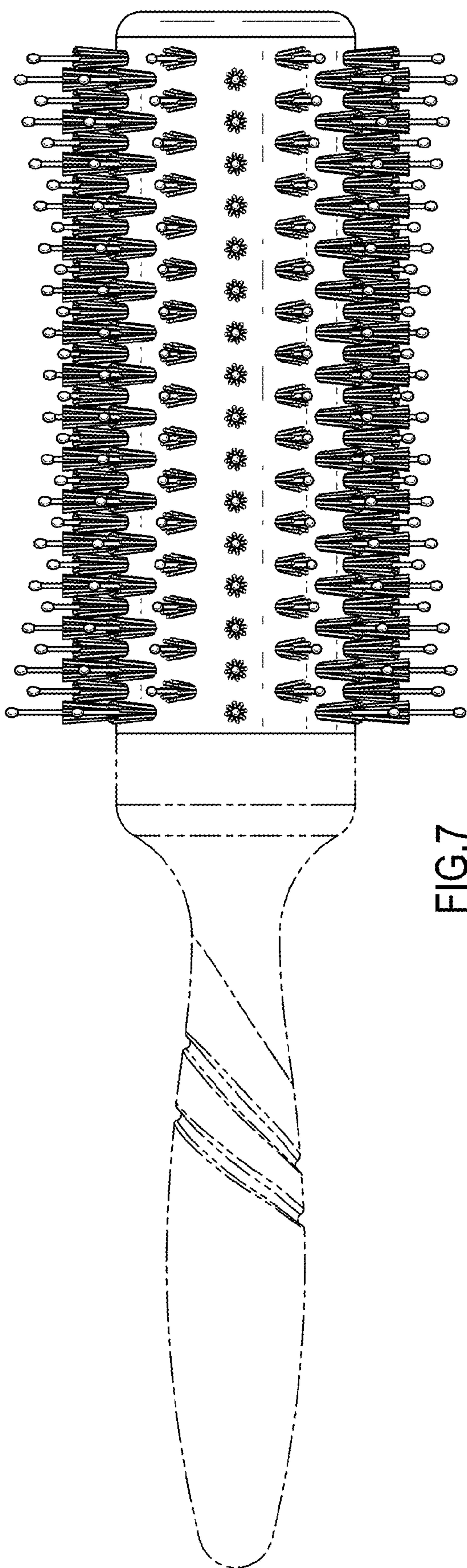


FIG. 6



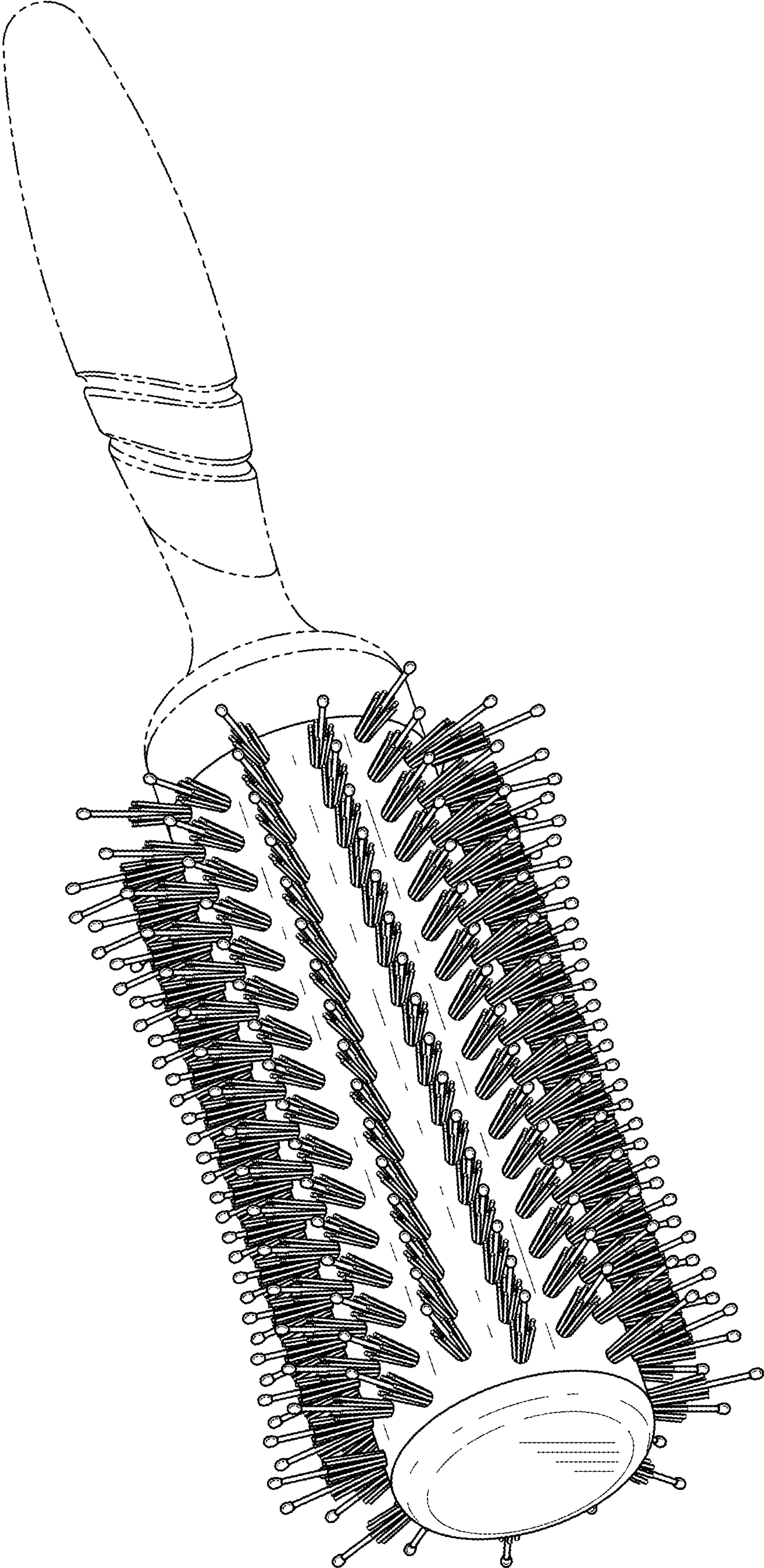


FIG.9