



(12) **United States Design Patent** (10) **Patent No.:** **US D940,464 S**
Godin et al. (45) **Date of Patent:** **** Jan. 11, 2022**

(54) **COSMETICS BRUSH HEAD WITH RESERVOIRS**

(71) Applicant: **Anisa International, Inc.**, Atlanta, GA (US)

(72) Inventors: **Sarina Godin**, Sandy Springs, GA (US); **Sarah Soto**, Atlanta, GA (US)

(73) Assignee: **Anisa International, Inc.**, Atlanta, GA (US)

(**) Term: **15 Years**

(21) Appl. No.: **29/706,428**

(22) Filed: **Sep. 20, 2019**

(51) **LOC (13) Cl.** **04-02**

(52) **U.S. Cl.**
 USPC **D4/114; D4/135**

(58) **Field of Classification Search**
 USPC D4/114, 115, 116, 117, 118, 119, 120, D4/121, 122, 123, 124, 125, 126, 127, D4/128, 129, 130, 131, 132, 133, 134, D4/135, 136, 137, 138, 199; D28/7
 CPC . A46B 9/021; A46B 2200/1033; A46B 11/00; A45D 33/36

See application file for complete search history.

(56) **References Cited**

U.S. PATENT DOCUMENTS

299,144 A	5/1884	Huntbatch
1,175,705 A	3/1916	Ciai
3,167,806 A	2/1965	Hogan
3,378,331 A	4/1968	Beasley
3,495,922 A	2/1970	Steinman
3,917,420 A	11/1975	Watson
4,944,625 A	7/1990	Futter et al.
5,891,063 A	4/1999	Vigil
6,161,978 A	12/2000	Dovellos
6,224,287 B1	5/2001	Gieux

(Continued)

FOREIGN PATENT DOCUMENTS

CN	111315256	6/2020
FR	3073132	5/2019

(Continued)

OTHER PUBLICATIONS

Kiko Cosmetics; Article entitled: "Sponge-core brush for liquid and traditional foundation", located at <<https://www.kikocosmetics.com/en-us/accessories/brushes/face-brushes/Face-06-Sponge-Core-Foundation-Brush/p-KM0050101800644>>, accessed on Dec. 5, 2018, 3 pgs.

(Continued)

Primary Examiner — Karen E Eldridge Powers

(74) *Attorney, Agent, or Firm* — Taylor English Duma LLP

(57) **CLAIM**

We claim the ornamental design for a cosmetics brush head with reservoirs, as shown and described.

DESCRIPTION

FIG. 1 is a perspective view of a cosmetics brush head with reservoirs.

FIG. 2 is a left-side elevation view thereof.

FIG. 3 is a right-side elevation view thereof.

FIG. 4 is a front elevation view thereof.

FIG. 5 is a rear elevation view thereof.

FIG. 6 is a top plan view thereof.

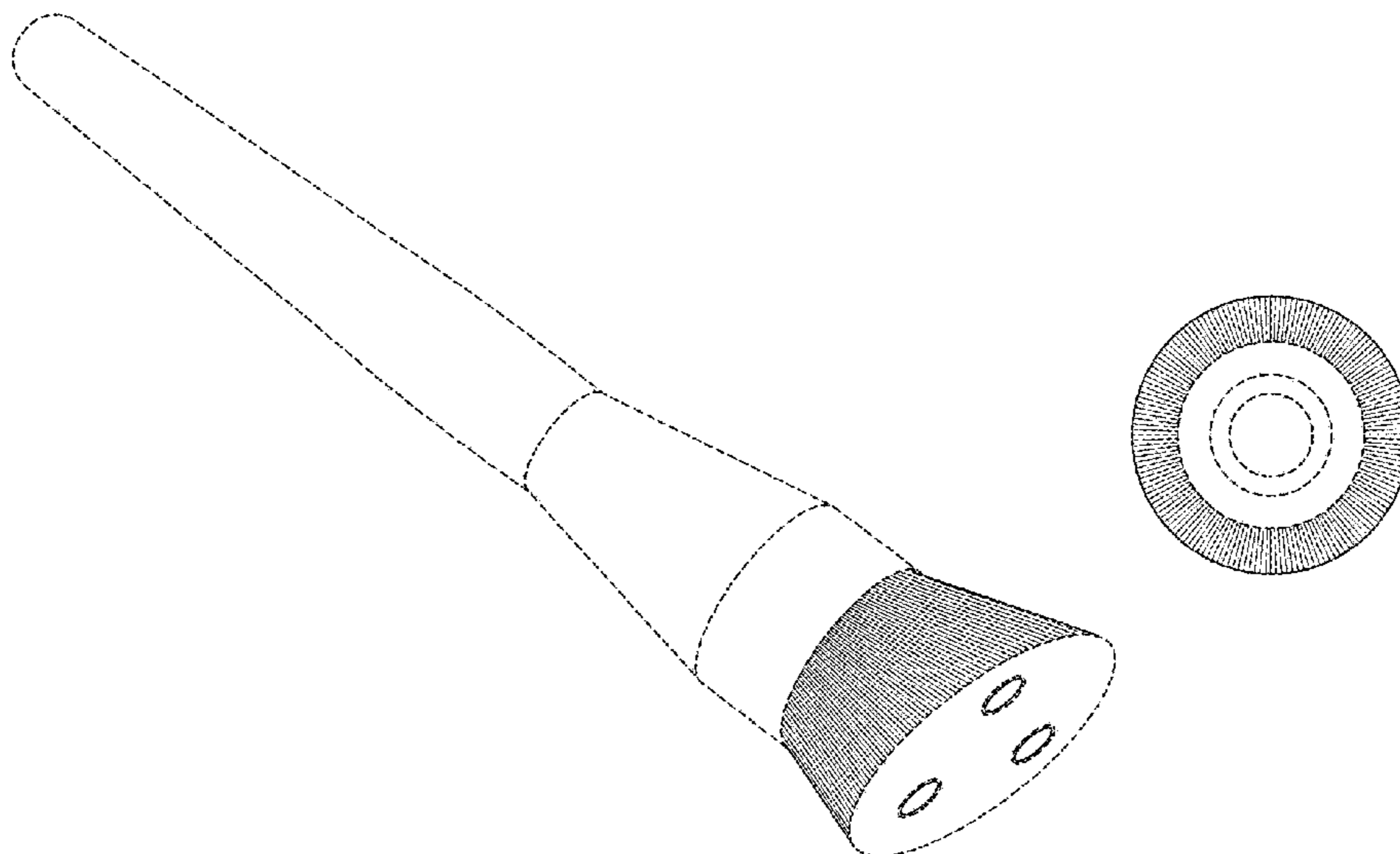
FIG. 7 is a bottom plan view thereof.

FIG. 8 is a cross-sectional view thereof taken along line 8-8 in FIG. 6; and,

FIG. 9 is a cross-sectional view thereof taken along line 9-9 in FIG. 6.

Those features shown in broken lines, including a ferrule, shown in FIGS. 1-5 and 7-9, a handle, shown in FIGS. 1-5 and 7-9, and an end of a brush head, shown in FIGS. 1-6, 8, and 9, form no part of the claimed design.

1 Claim, 4 Drawing Sheets



(56)

References Cited

U.S. PATENT DOCUMENTS

6,363,948 B2 4/2002 Choi
 D480,217 S 10/2003 Mink
 7,101,107 B1 9/2006 Byun
 7,275,885 B2 10/2007 Byun
 7,478,959 B2 1/2009 Hohlbein
 7,644,466 B2 1/2010 Weihrauch et al.
 8,104,132 B2* 1/2012 Mink A46B 9/028
 15/160
 8,678,693 B2* 3/2014 Sturgis A46B 11/001
 401/287
 9,204,704 B1 12/2015 Wolfe
 9,320,349 B2 4/2016 Hwang
 D755,526 S 5/2016 Ward
 D781,593 S 3/2017 Kaicker
 9,635,927 B2 5/2017 Godin et al.
 D793,090 S 8/2017 Allen et al.
 9,826,823 B1 11/2017 Velazquez et al.
 D827,308 S 9/2018 Nicoline
 D834,329 S 11/2018 Hwang
 D836,920 S 1/2019 Richards
 10,182,643 B2 1/2019 Nicoline
 D840,693 S 2/2019 Hwang
 10,238,202 B2* 3/2019 Serposi A46B 9/028
 D845,646 S 4/2019 Nicoline
 10,258,140 B2* 4/2019 Wilson A46B 9/021
 D857,400 S 8/2019 Nicoline
 D893,198 S 8/2020 Kaicker
 10,736,410 B2* 8/2020 Kaicker A46B 9/028
 D905,968 S* 12/2020 Kaicker D4/127
 10,856,643 B2* 12/2020 Hwang A46B 9/02
 D914,369 S* 3/2021 Somma D4/135
 D929,742 S 9/2021 Godin et al.
 D929,743 S 9/2021 Godin et al.
 D929,744 S 9/2021 Godin et al.
 2002/0014246 A1 2/2002 Choi
 2004/0003478 A1 1/2004 Mink
 2004/0047676 A1 3/2004 Dumler
 2007/0151061 A1* 7/2007 Mink A46B 9/021
 15/160
 2007/0177930 A1 8/2007 Byun
 2010/0077559 A1 4/2010 Mink
 2010/0101035 A1 4/2010 Nakamura
 2010/0239358 A1 9/2010 Sturgis et al.
 2011/0020052 A1 1/2011 Kim
 2013/0121752 A1 5/2013 Byun
 2014/0331422 A1* 11/2014 Lim A45D 40/262
 15/106
 2016/0192768 A1 7/2016 Johnston et al.
 2018/0153293 A1* 6/2018 Dovellos A46B 9/028
 2018/0220786 A1 8/2018 Serposi

2019/0142146 A1 5/2019 Hwang
 2020/0138168 A1 5/2020 Godin et al.
 2020/0138177 A1 5/2020 Godin et al.

FOREIGN PATENT DOCUMENTS

WO 2019086817 5/2019
 WO 2020092318 5/2020
 WO 2020092737 5/2020

OTHER PUBLICATIONS

Godin, Sarina; Ex Parte Quayle Action for Design U.S. Appl. No. 29/700,167, filed Jul. 31, 2019, mailed Dec. 22, 2020, 16 pgs.
 Godin, Sarina; Ex Parte Quayle Action for Design U.S. Appl. No. 29/700,177, filed Jul. 31, 2019, mailed Dec. 22, 2020, 14 pgs.
 Godin, Sarina; Ex Parte Quayle Action for U.S. Design U.S. Appl. No. 29/705,618, filed Sep. 13, 2019, mailed Dec. 22, 2020, 13 pgs.
 Godin, Sarina; International Search Report and Written Opinion for PCT Application No. PCT/US19/58486, filed Oct. 29, 2019, dated Jan. 16, 2020, 8 pgs.
 Godin, Sarina; International Search Report and Written Opinion for PCT Application No. PCT/US2019/059114, filed Oct. 31, 2019, dated Jan. 10, 2020, 9 pgs.
 Godin, Sarina; International Preliminary Report on Patentability for PCT Application No. PCT/US19/58486, filed Oct. 29, 2019, dated May 14, 2021, 7 pgs.
 Godin, Sarina; International Preliminary Report on Patentability for PCT Application No. PCT/US2019/059114, filed Oct. 31, 2019, dated May 14, 2021, 8 pgs.
 Godin, Sarina; Corrected Notice of Allowance for Design U.S. Appl. No. 29/700,167, filed Jul. 31, 2019, dated Jun. 7, 2021, 4 pgs.
 Godin, Sarina; Notice of Allowance for U.S. Appl. No. 29/700,167, filed Jul. 31, 2019, dated May 4, 2021, 9 pgs.
 Godin, Sarina; Notice of Allowance for U.S. Appl. No. 29/700,177, filed Jul. 31, 2019, dated May 4, 2021, 9 pgs.
 Godin, Sarina; Notice of Allowance Design U.S. Appl. No. 29/705,618, filed Sep. 13, 2019, dated May 4, 2021, 12 pgs.
 Godin, Sarina; Corrected Notice of Allowance for U.S. Appl. No. 29/700,167, filed Jul. 31, 2019, dated Aug. 4, 2021, 6 pgs.
 Godin, Sarina; Corrected Notice of Allowance for U.S. Appl. No. 29/700,177, filed Jul. 31, 2019, dated Mar. 10, 2021, 6 pgs.
 Godin, Sarina; Corrected Notice of Allowance for U.S. Appl. No. 29/705,618, filed Sep. 13, 2019, dated Aug. 6, 2021, 7 pgs.
 Godin, Sarina; Non-Final Office Action for U.S. Appl. No. 16/596,404, filed Oct. 8, 2019, dated Nov. 3, 2021, 47 pgs.
 Godin, Sarina; Non-Final Office Action for U.S. Appl. No. 16/572,880, filed Sep. 17, 2019, dated Nov. 12, 2021, 43 pgs.

* cited by examiner

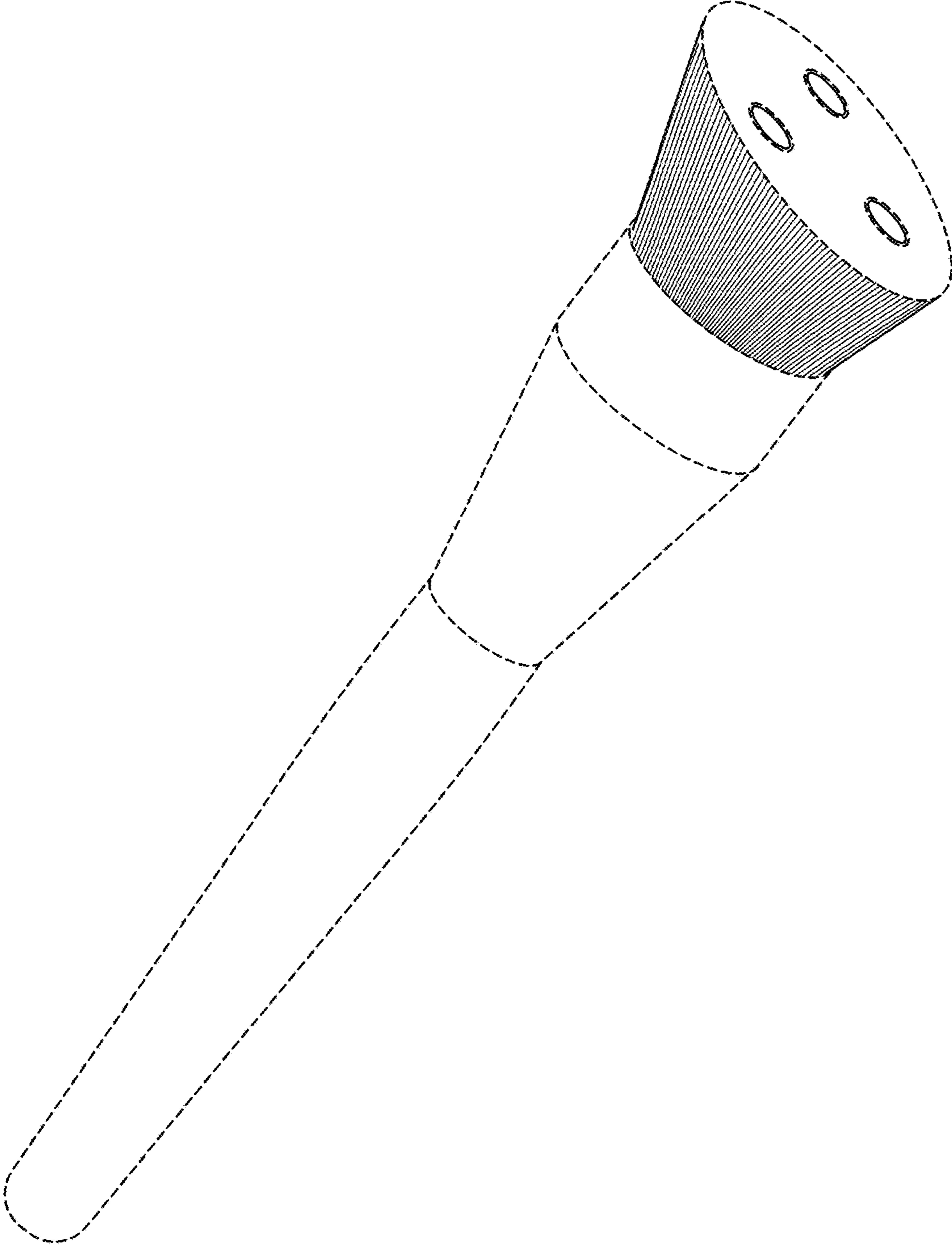


FIG. 1

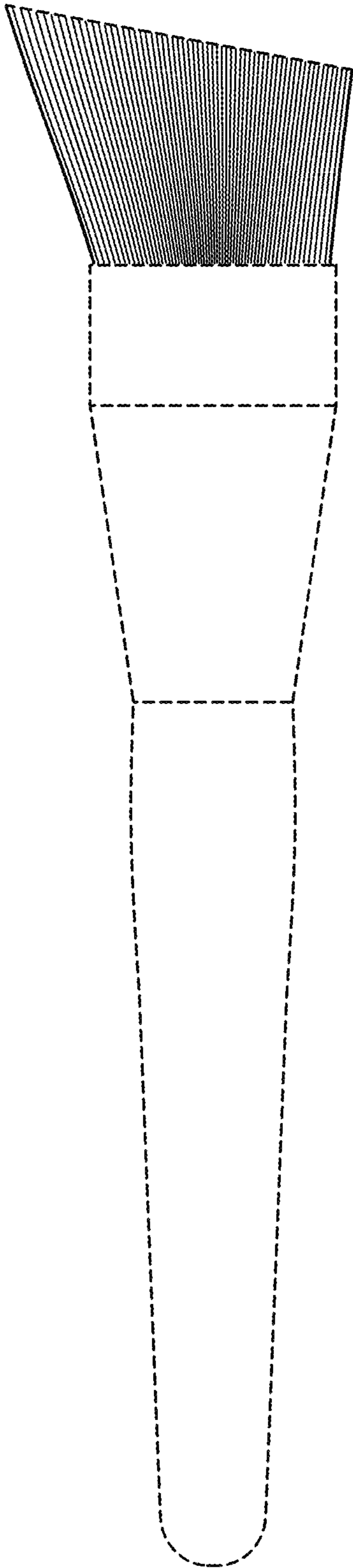


FIG. 2

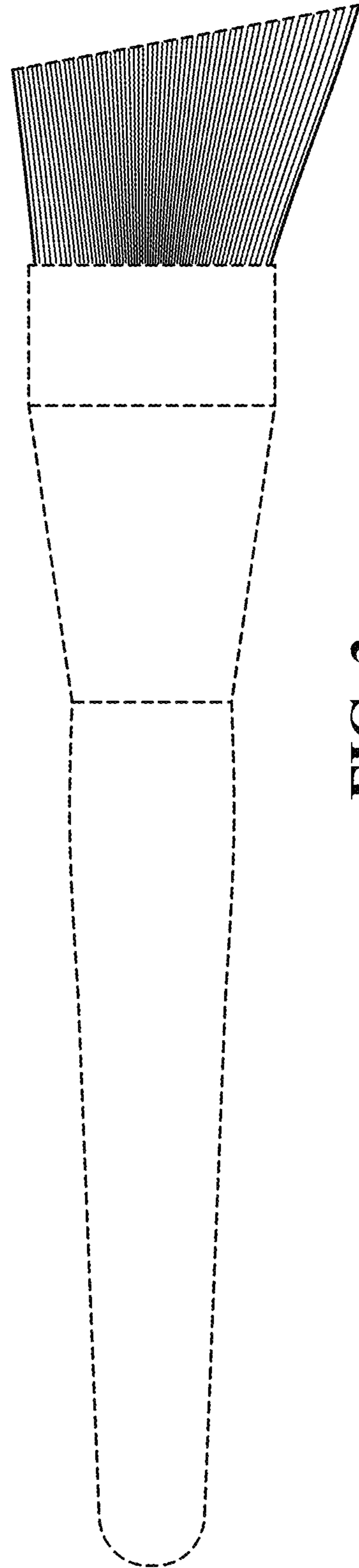


FIG. 3

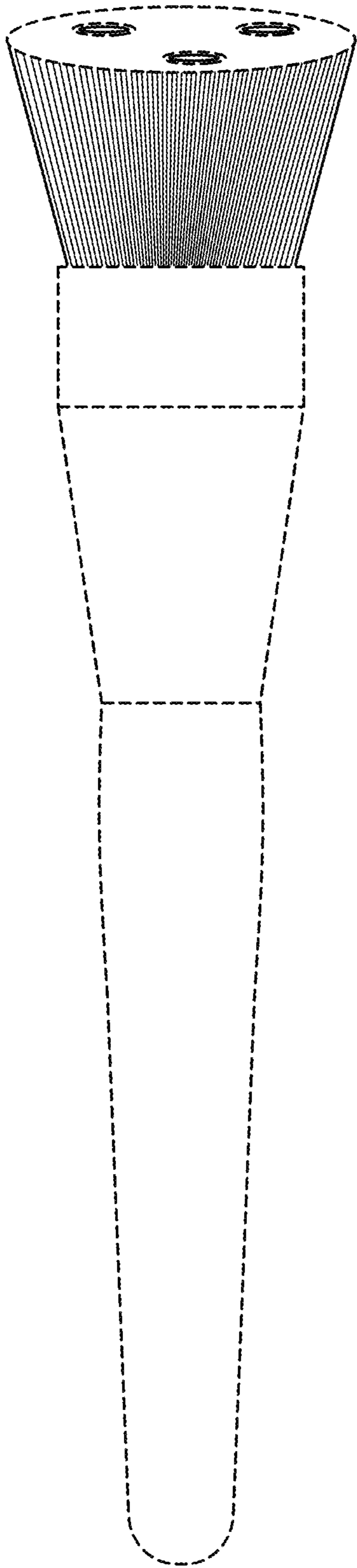


FIG. 4

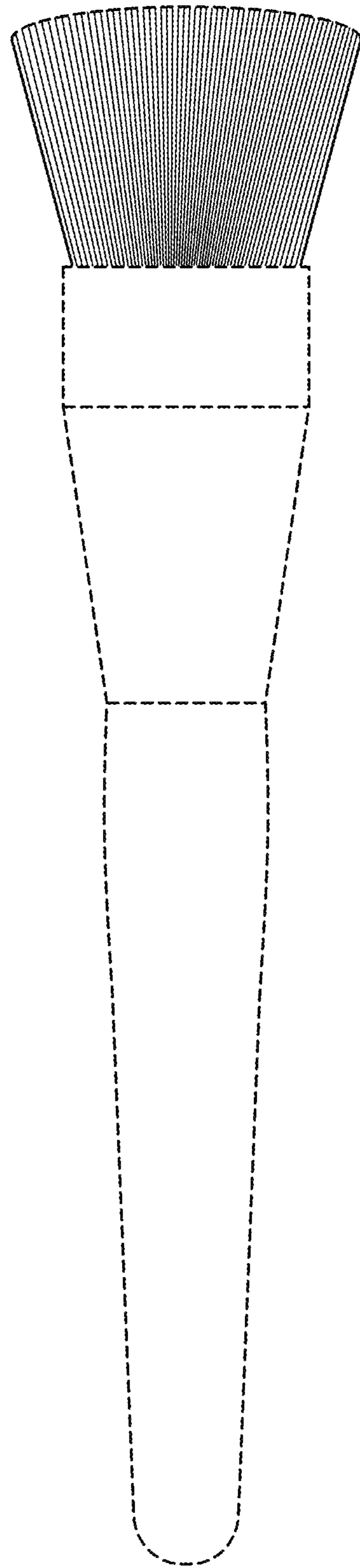


FIG. 5

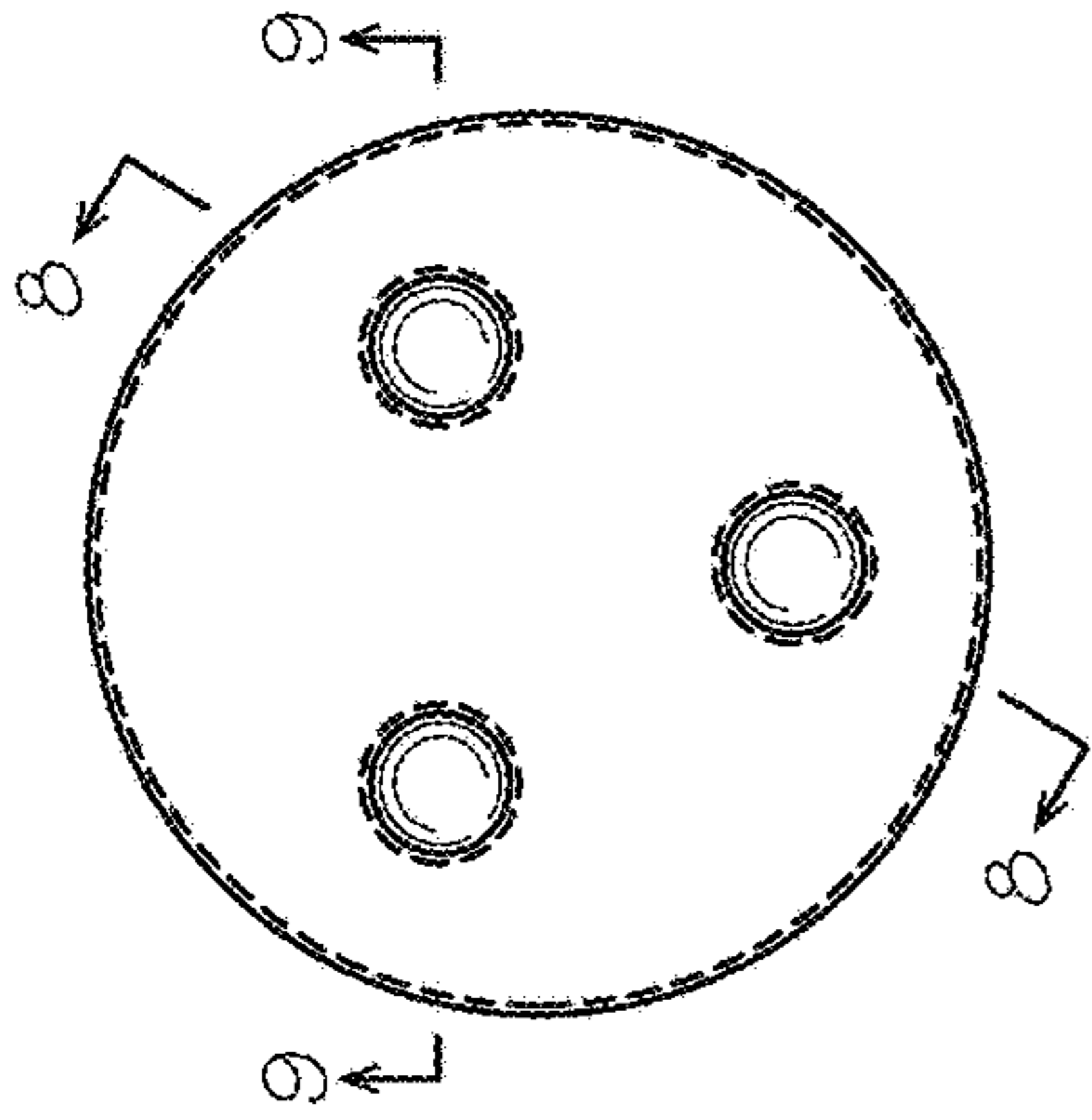


FIG. 6

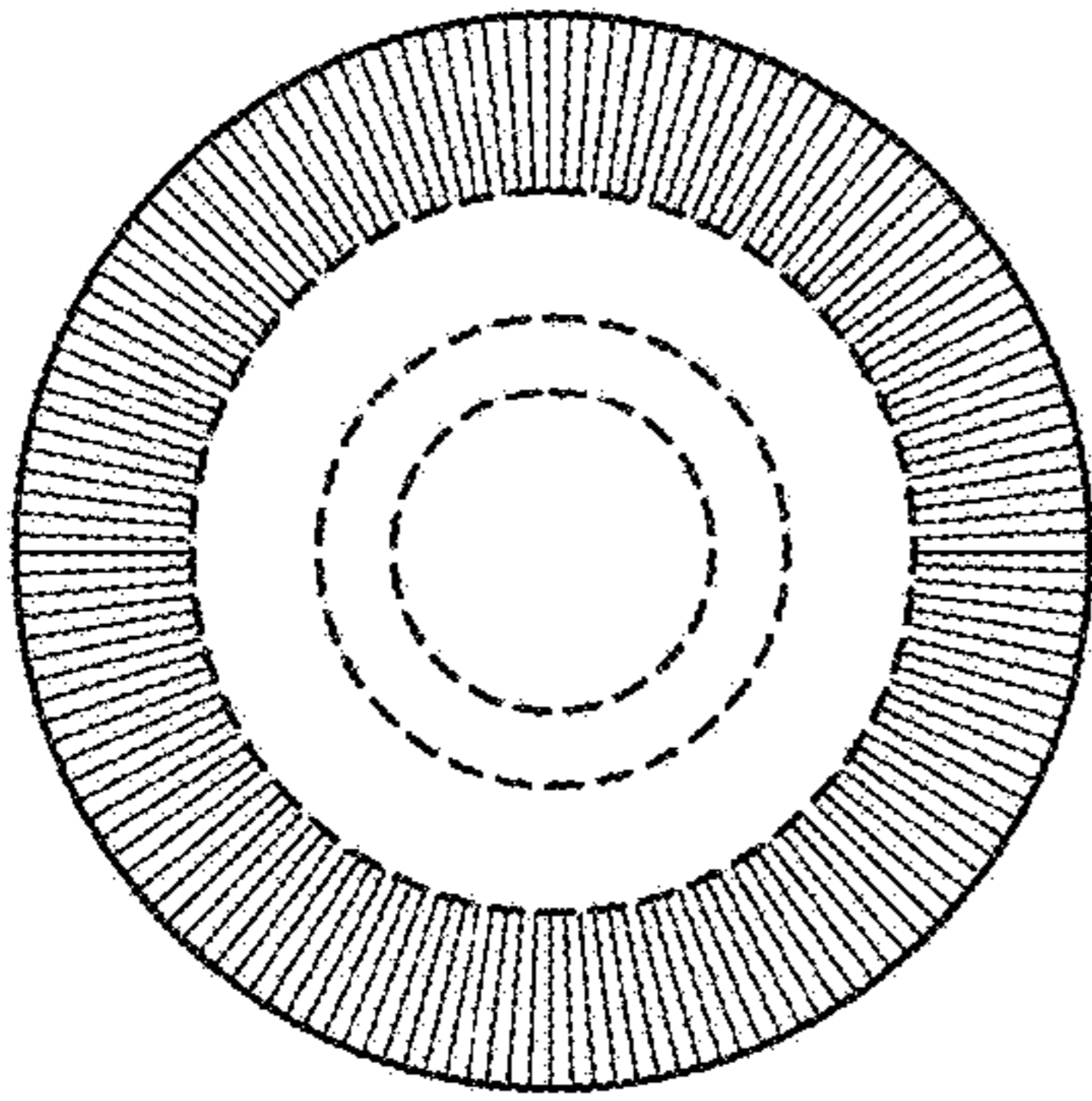


FIG. 7

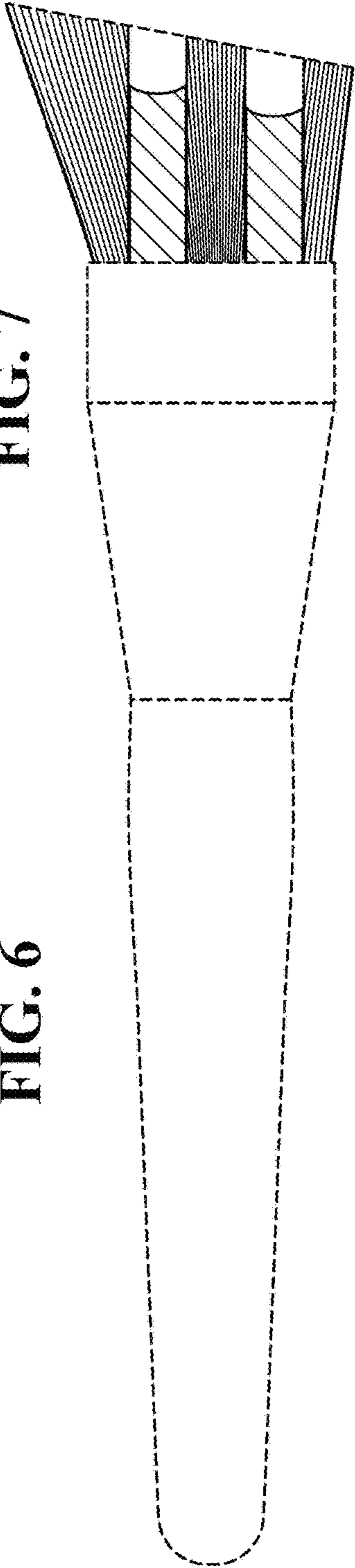


FIG. 8

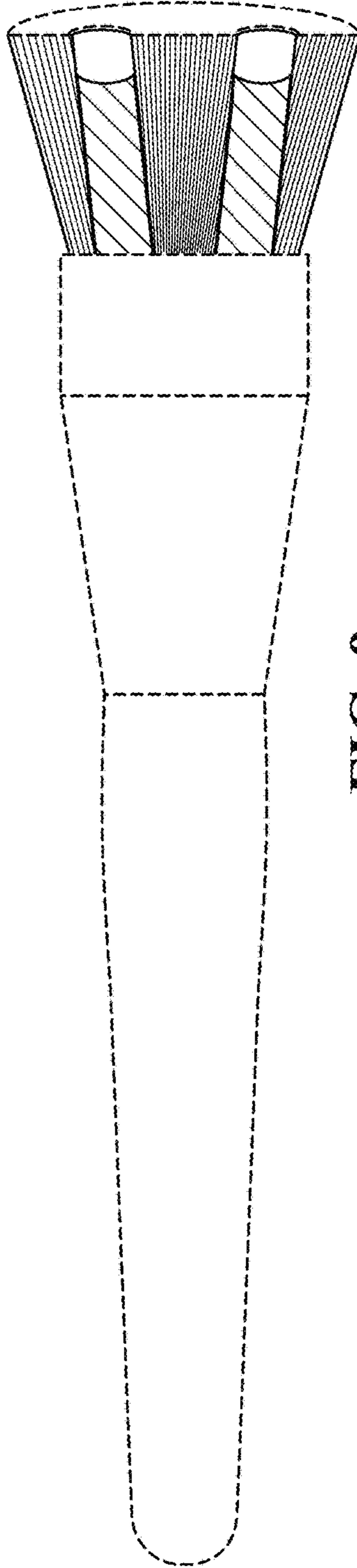


FIG. 9