



US00D940463S

(12) **United States Design Patent**  
**Zhu**

(10) **Patent No.:** **US D940,463 S**  
(45) **Date of Patent:** **\*\* Jan. 11, 2022**

- (54) **COMB**
- (71) Applicant: **YIWU LEHMAN ELECTRONIC TECHNOLOGY CO., LTD**, Yiwu (CN)
- (72) Inventor: **Xiang Zhu**, Jinhua (CN)
- (73) Assignee: **YIWU LEHMAN ELECTRONIC TECHNOLOGY CO., LTD**, Yiwu (CN)
- (\*\*) Term: **15 Years**
- (21) Appl. No.: **29/756,681**
- (22) Filed: **Oct. 30, 2020**
- (51) **LOC (13) Cl.** ..... **28-03**
- (52) **U.S. Cl.**  
USPC ..... **D4/100; D28/35**
- (58) **Field of Classification Search**  
USPC ..... D4/100, 102, 117, 118, 119, 120, 121, D4/127, 128, 129, 130, 132, 133, 134, D4/136, 137, 138, 199; D28/18, 24, 25, D28/28, 35  
CPC ..... A46B 5/02; A46B 9/005; A46B 9/023; A46B 9/02; A46B 9/06; A46B 2200/104; A46B 5/026; A46B 5/005; A46B 15/003; A46B 15/0059; A45D 20/48; A45D 20/50; A45D 20/52; A45D 24/007; A45D 2/001; A45D 2/002; A45D 7/02  
See application file for complete search history.

D416,645 S *	11/1999	Spudeno	.....	D28/7
D471,718 S *	3/2003	Park		
7,063,090 B2 *	6/2006	Wang	.....	A45D 24/28 132/119.1
D524,056 S *	7/2006	Tapp	.....	D4/120
D580,658 S *	11/2008	Berti	.....	D4/138
D825,929 S	8/2018	Julemont		
D847,426 S *	4/2019	Tappenden	.....	D28/18
D848,063 S *	5/2019	Tappenden	.....	D28/18
D848,066 S *	5/2019	Coulton	.....	D28/18
D850,799 S *	6/2019	Johnson	.....	D4/129
D882,958 S *	5/2020	Zhang	.....	D4/100
D912,405 S *	3/2021	Zhang	.....	D4/100
11,103,055 B2 *	8/2021	Richmond	.....	A46B 15/003

**FOREIGN PATENT DOCUMENTS**

CN 306544739 \* 5/2021

\* cited by examiner

*Primary Examiner* — Karen E Eldridge Powers

(57) **CLAIM**

The ornamental design for a comb, as shown and described.

**DESCRIPTION**

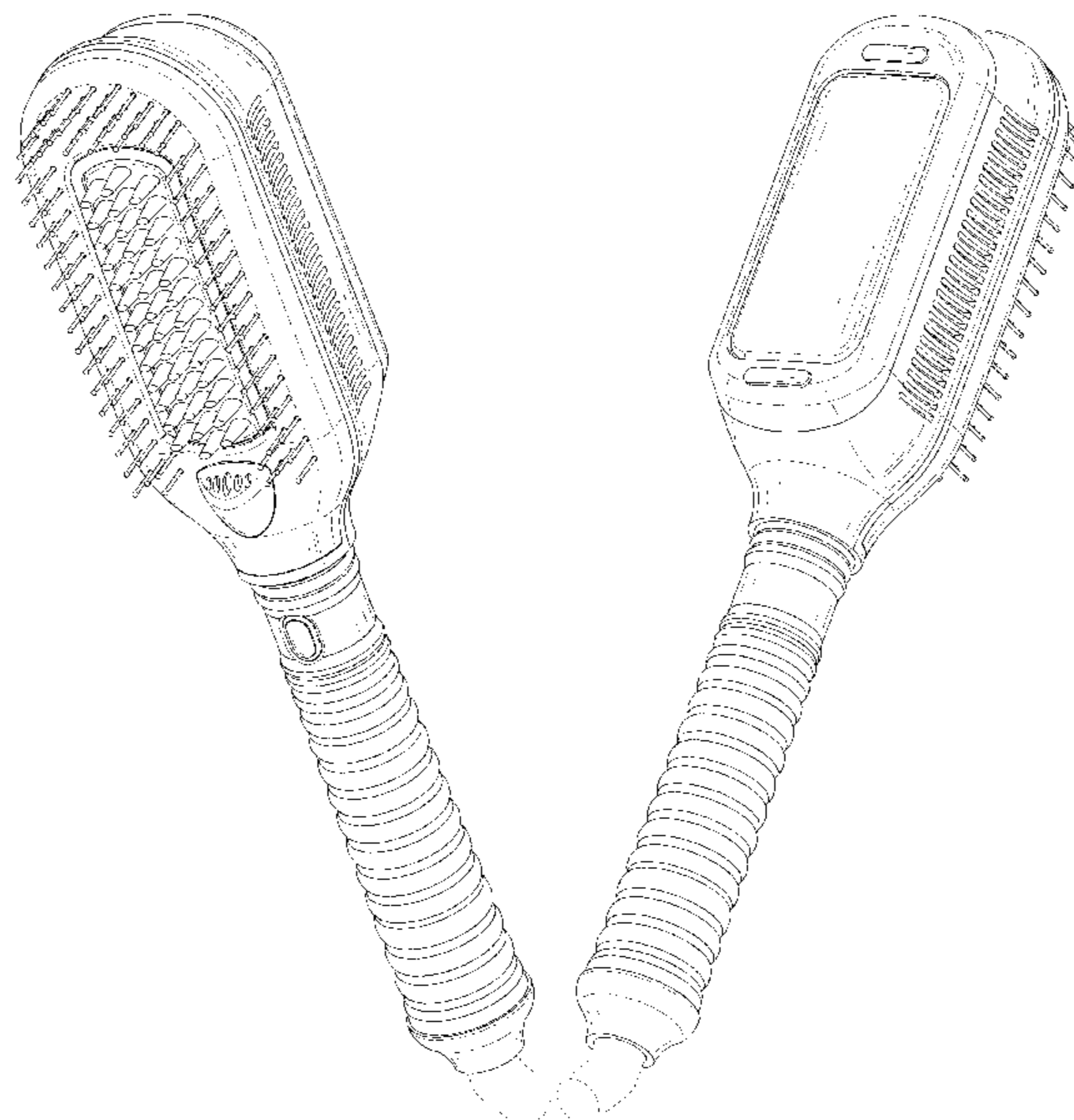
FIG. 1 is a top, rear and left side perspective view of a comb, as showing my new design;  
 FIG. 2 is a bottom, front and right side perspective view thereof;  
 FIG. 3 is a front elevational view thereof;  
 FIG. 4 is a rear elevational view thereof;  
 FIG. 5 is a left side elevational view thereof;  
 FIG. 6 is a right side elevational view thereof;  
 FIG. 7 is a top plan view thereof;  
 FIG. 8 is a bottom plan view thereof;  
 FIG. 9 is an enlarged top plan view of the comb; and,  
 FIG. 10 is an enlarged bottom plan view of the comb.  
 The broken lines in the drawings depict portions of the comb that form no part of the claimed design.

**1 Claim, 10 Drawing Sheets**

(56) **References Cited**

**U.S. PATENT DOCUMENTS**

D230,105 S *	1/1974	Newman	.....	D4/117
D315,408 S *	3/1991	Duk	.....	D24/211
D368,343 S *	3/1996	Gebhard	.....	D24/215
D372,336 S *	7/1996	Kip	.....	D28/18
D379,230 S *	5/1997	Mark	.....	D24/152



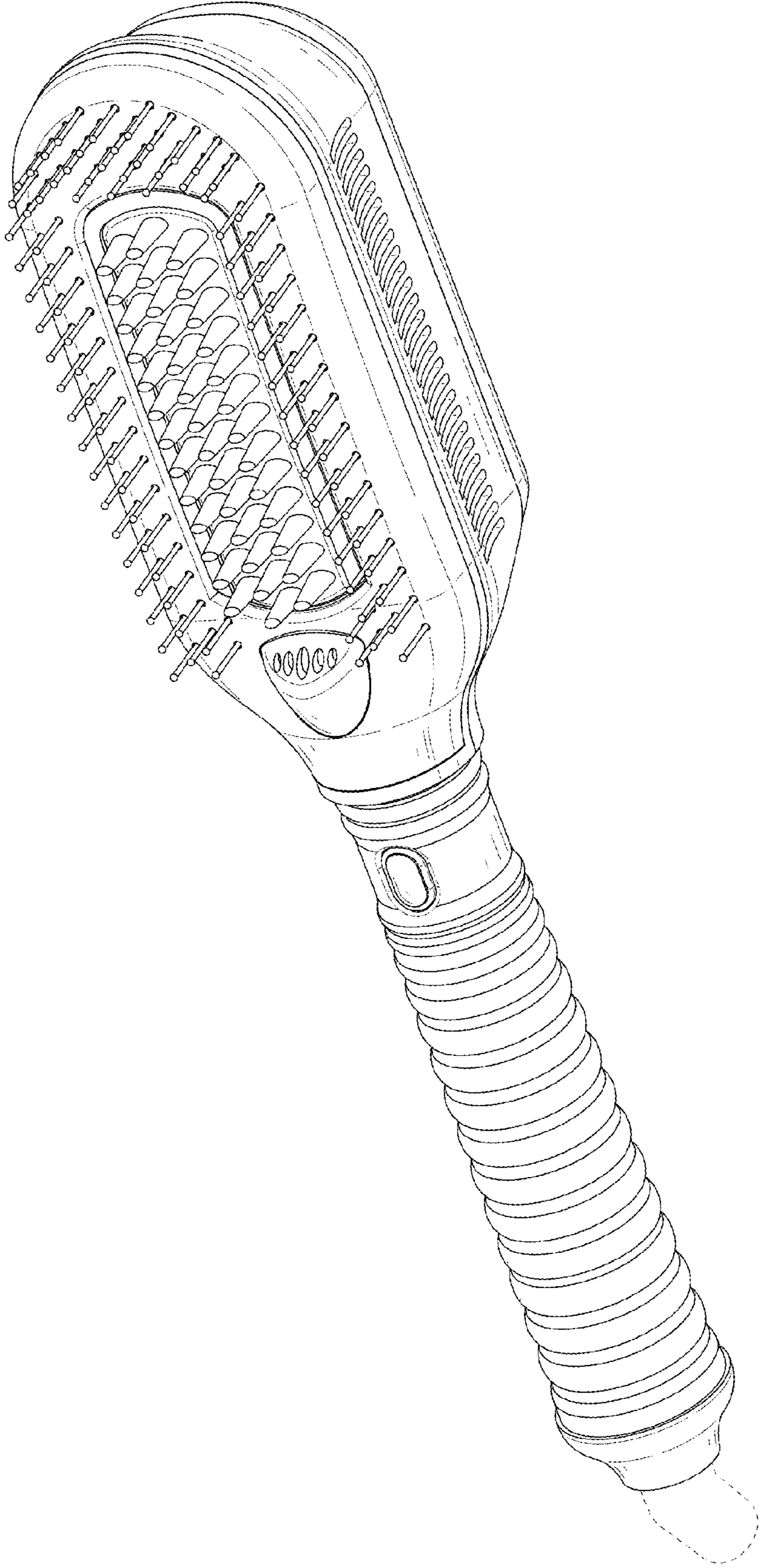


FIG. 1

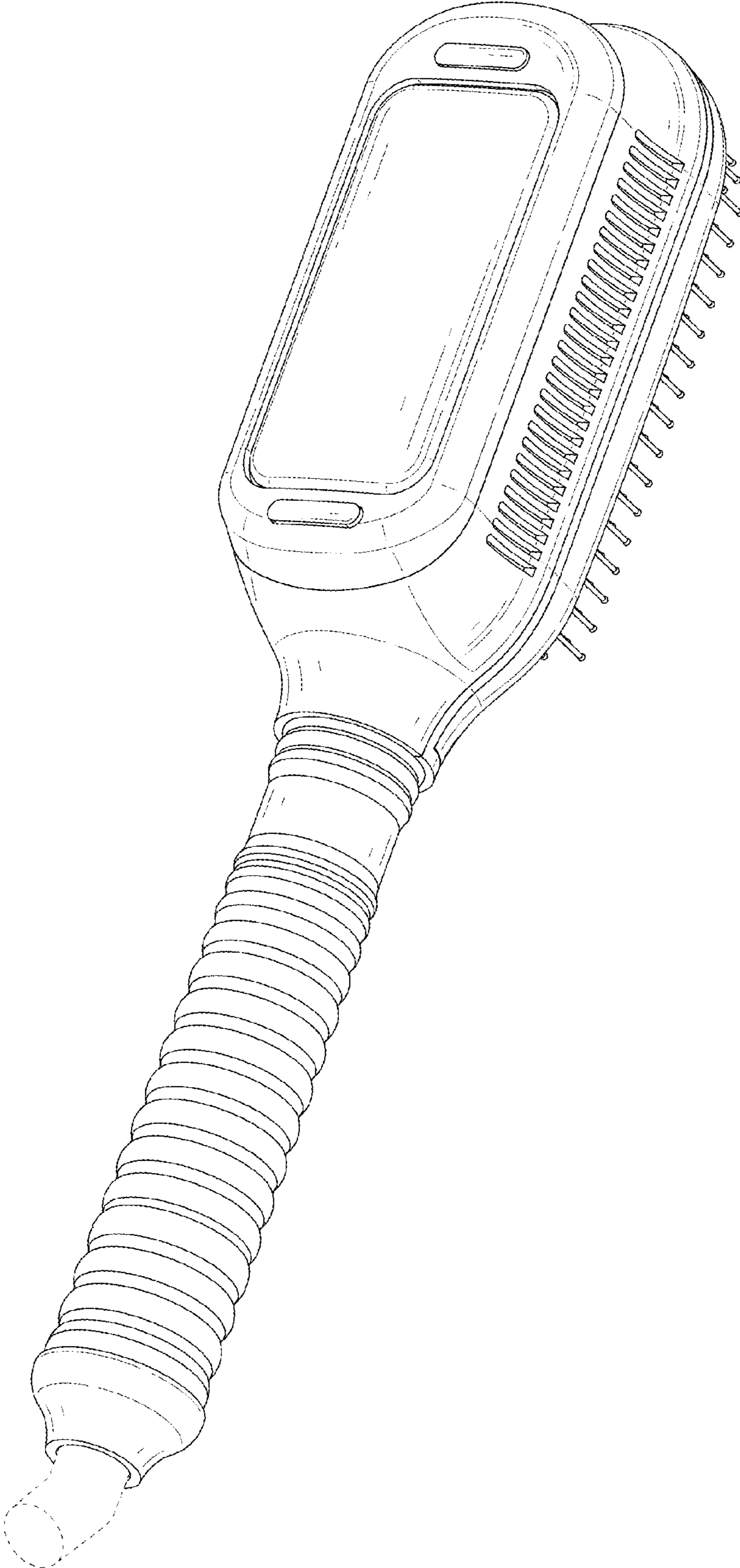


FIG. 2



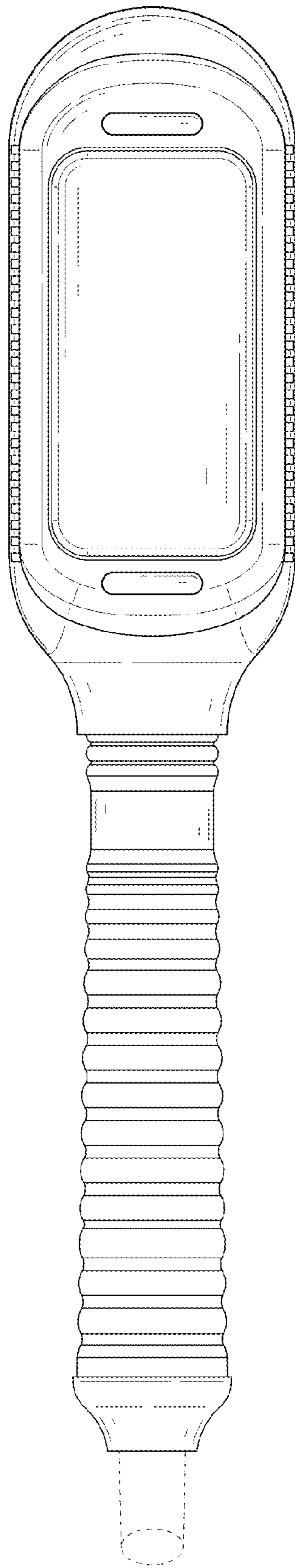


FIG. 3

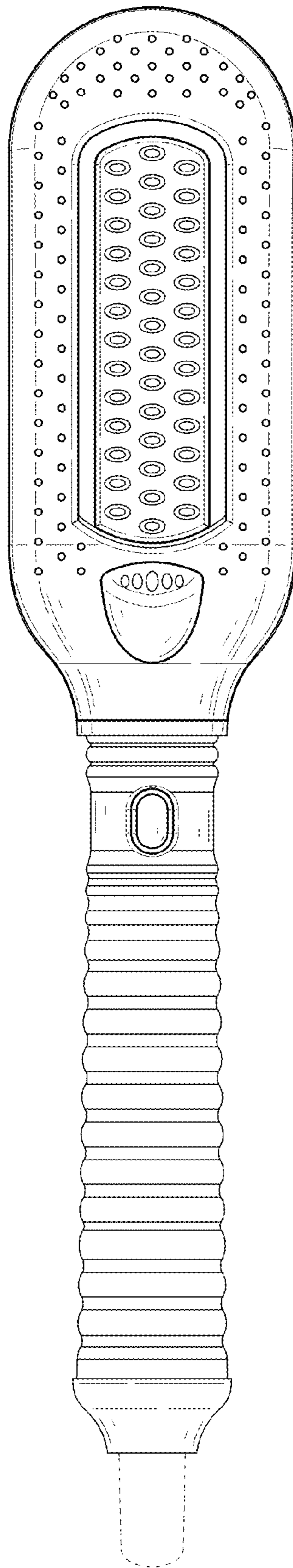


FIG. 4

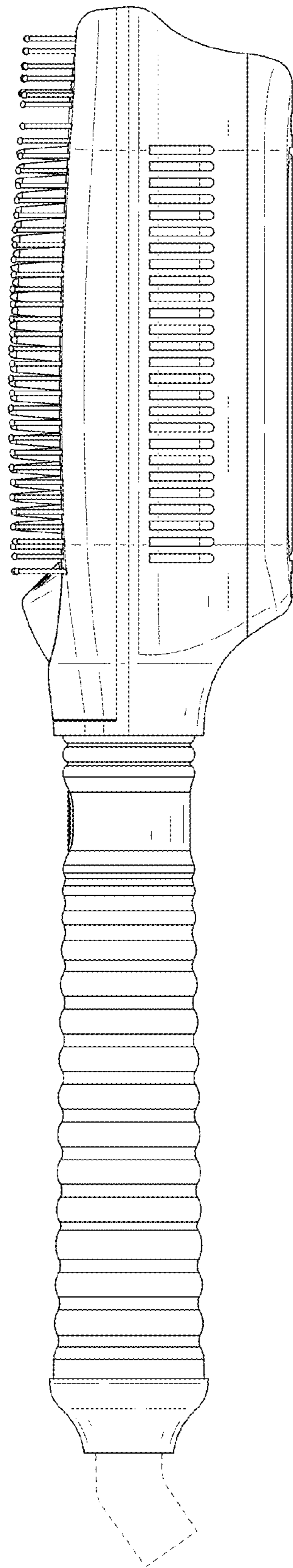


FIG. 5

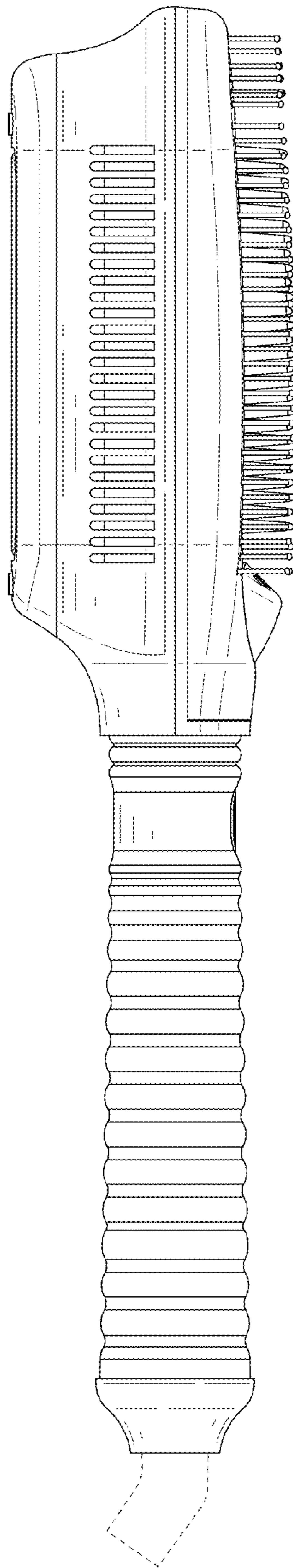


FIG. 6

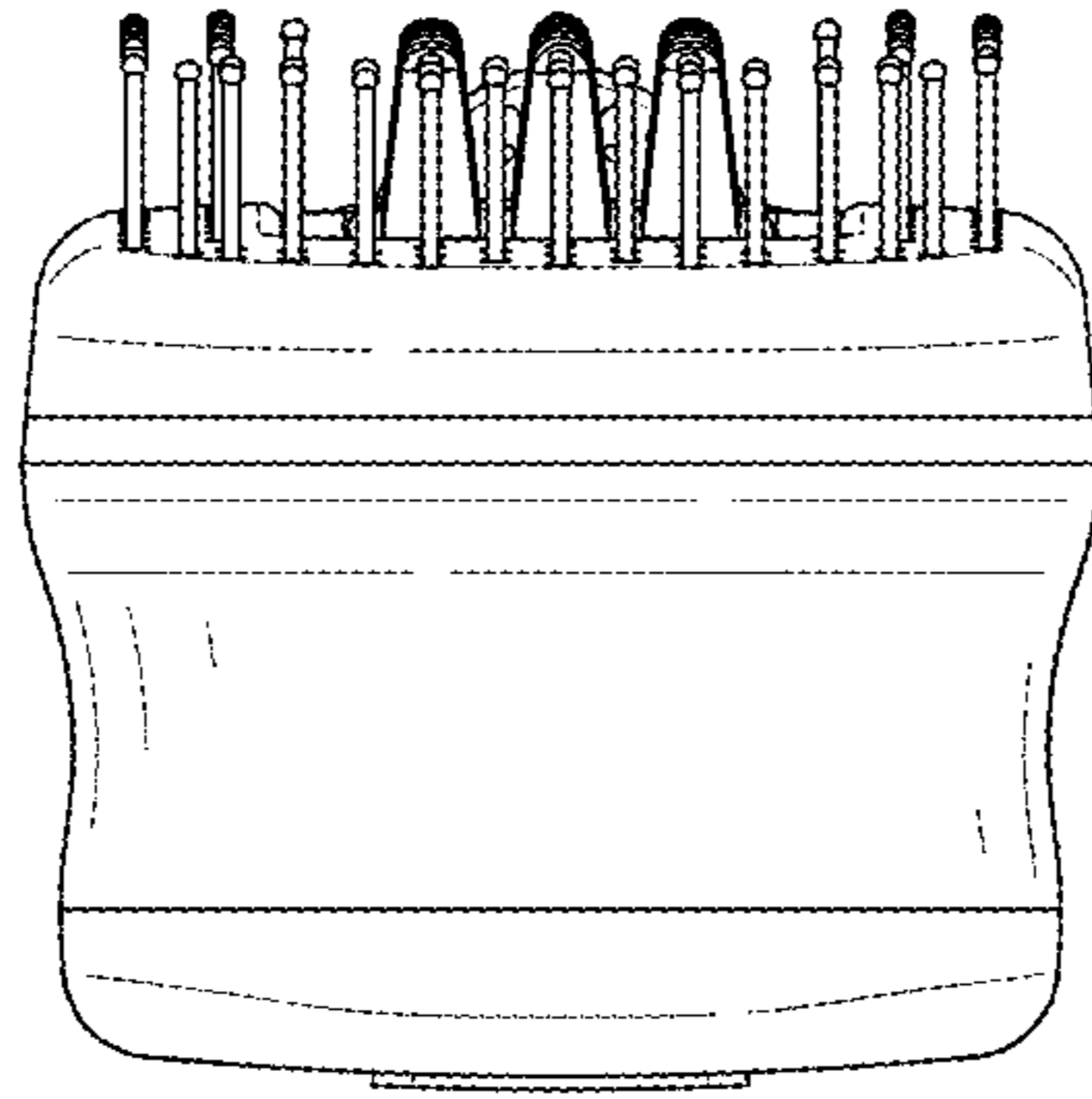


FIG. 7



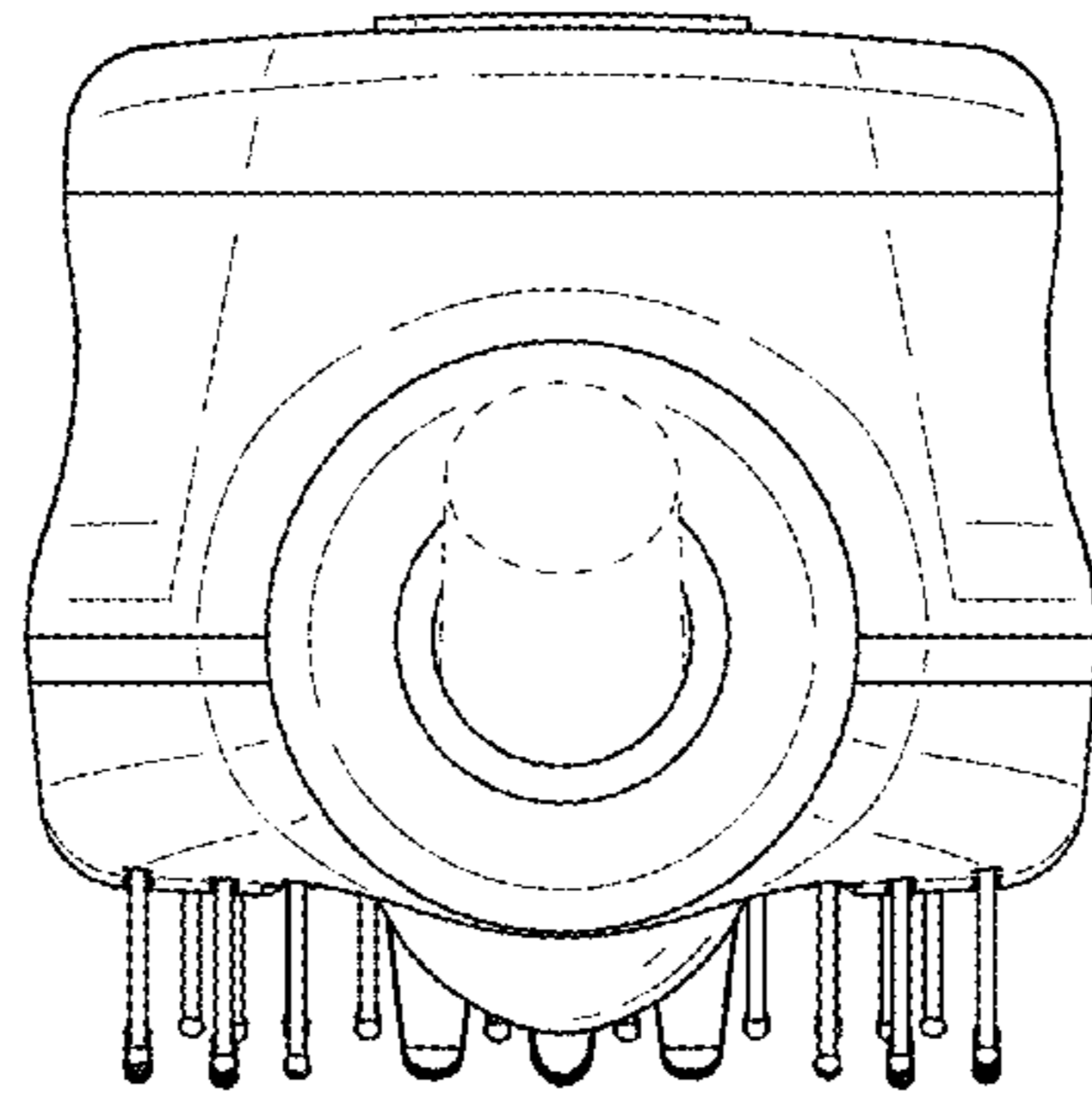


FIG. 8

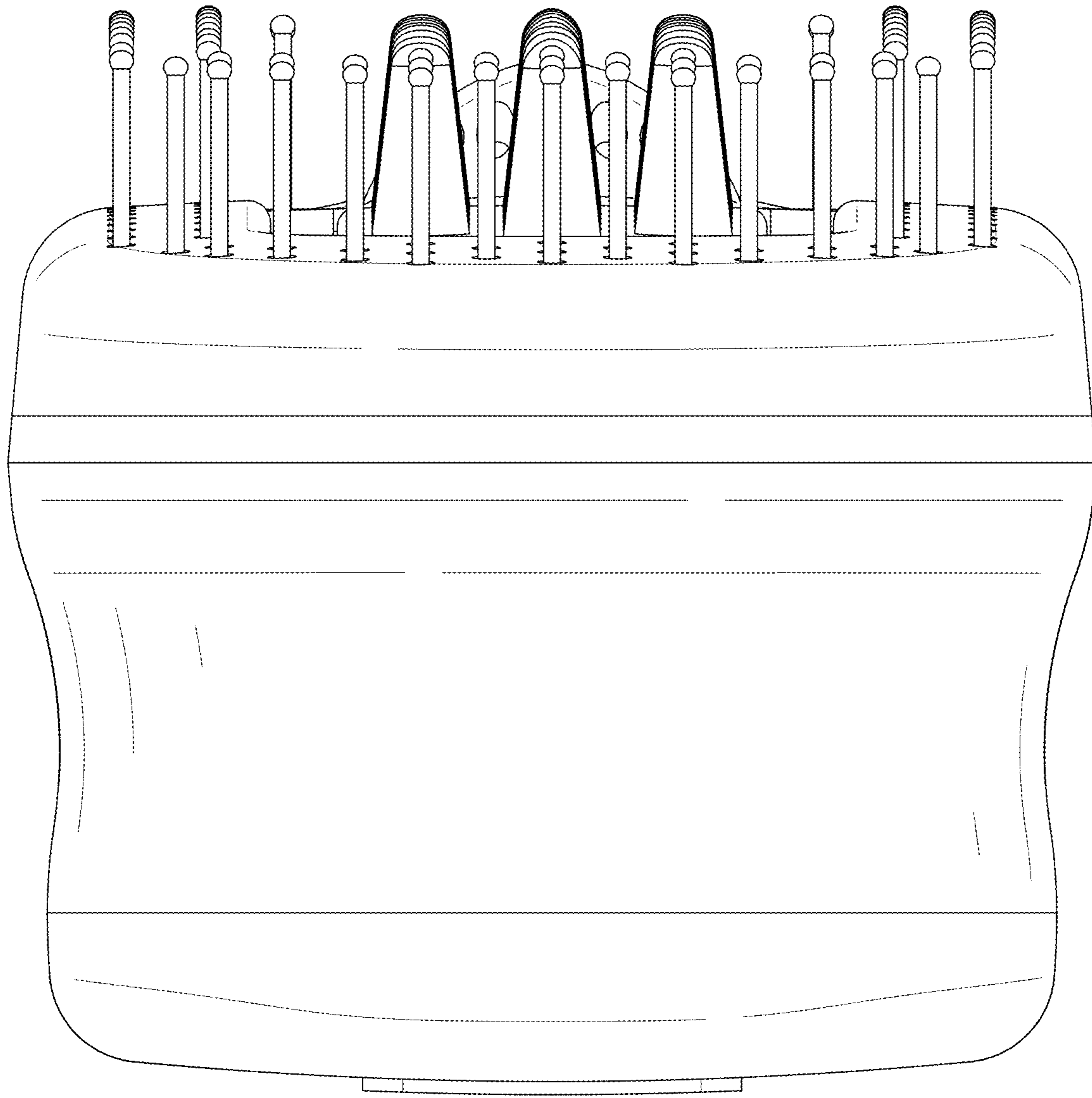


FIG. 9

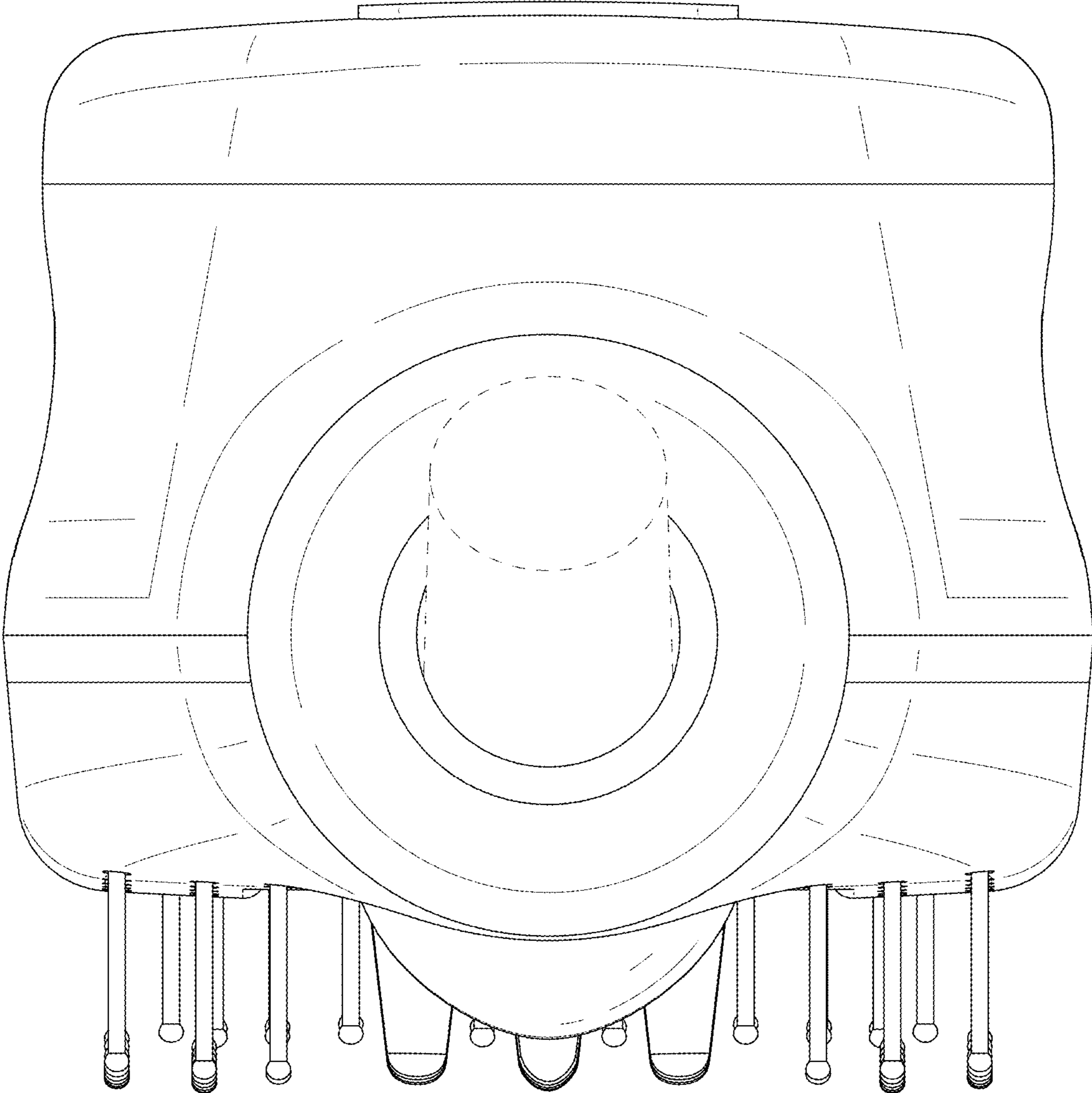


FIG. 10