



US00D940462S

(12) **United States Design Patent**
Koenig

(10) **Patent No.:** **US D940,462 S**

(45) **Date of Patent:** **** Jan. 11, 2022**

(54) **BAG WITH POCKET**

(71) Applicant: **AP Specialties**, San Clemente, CA (US)

(72) Inventor: **Howard Koenig**, Dana Point, CA (US)

(73) Assignee: **AP Specialties**, San Clemente, CA (US)

(**) Term: **15 Years**

(21) Appl. No.: **29/709,645**

(22) Filed: **Oct. 16, 2019**

(51) **LOC (13) Cl.** **03-01**

(52) **U.S. Cl.**

USPC **D3/319**; D3/289

(58) **Field of Classification Search**

USPC D3/201, 232–233, 240, 289, 301, 303,
D3/318, 319, 321–328, 216, 217;
D7/605, 607

CPC A45C 11/20; A45C 13/103; A45C 3/00;
B65D 81/3823

See application file for complete search history.

(56) **References Cited**

U.S. PATENT DOCUMENTS

D314,470 S *	2/1991	Hutchins	D3/283
D340,840 S *	11/1993	Melk	D3/283
D368,160 S *	3/1996	Carretta	D3/283
D388,250 S *	12/1997	Robinson	D3/232
D405,265 S *	2/1999	Chapelson	D3/303
D411,664 S *	6/1999	Latshaw	D3/303
6,126,003 A *	10/2000	Brouard	A45C 3/00 206/372
D472,385 S *	4/2003	Bauer	A45C 7/0045 D3/276
D526,120 S *	8/2006	Lee	D3/233
D637,809 S *	5/2011	Meldeau	D3/232
D687,627 S *	8/2013	Schiffman	D3/217
D719,348 S *	12/2014	Cox	D3/244
D836,330 S *	12/2018	Bastoni	D3/232
D861,335 S *	10/2019	Barlier	D3/232

D874,150 S *	2/2020	Liu	D3/303
D874,815 S *	2/2020	Wells	D3/203.1
D875,389 S *	2/2020	Potts	D3/232
D878,038 S *	3/2020	Hong	D3/232
D880,845 S *	4/2020	Sanz	D3/217
D883,047 S *	5/2020	Kou	D7/709
D891,096 S *	7/2020	Kikuta	D3/233
2003/0024960 A1 *	2/2003	Greenstein	A45F 3/047 224/153

(Continued)

OTHER PUBLICATIONS

“Ridge Pocket Cooler Bag”, APspecialties.com, site visited Apr. 5, 2021: <https://www.apspecialties.com/product-detail/Ridge-Pocket-Cooler-Bag/3784> (Year: 2021).*

Primary Examiner — Jennifer L Watkins

Assistant Examiner — Samantha Lynne Brodowski

(74) *Attorney, Agent, or Firm* — Lerner, David,

Littenberg, Krumholz & Mentlik, LLP

(57)

CLAIM

The ornamental design for a bag with pocket, as shown and described.

DESCRIPTION

FIG. 1 is a front perspective view of a bag with pocket according to my design;

FIG. 2 is a front elevation view thereof;

FIG. 3 is a rear elevation view thereof;

FIG. 4 is a right side elevation view thereof;

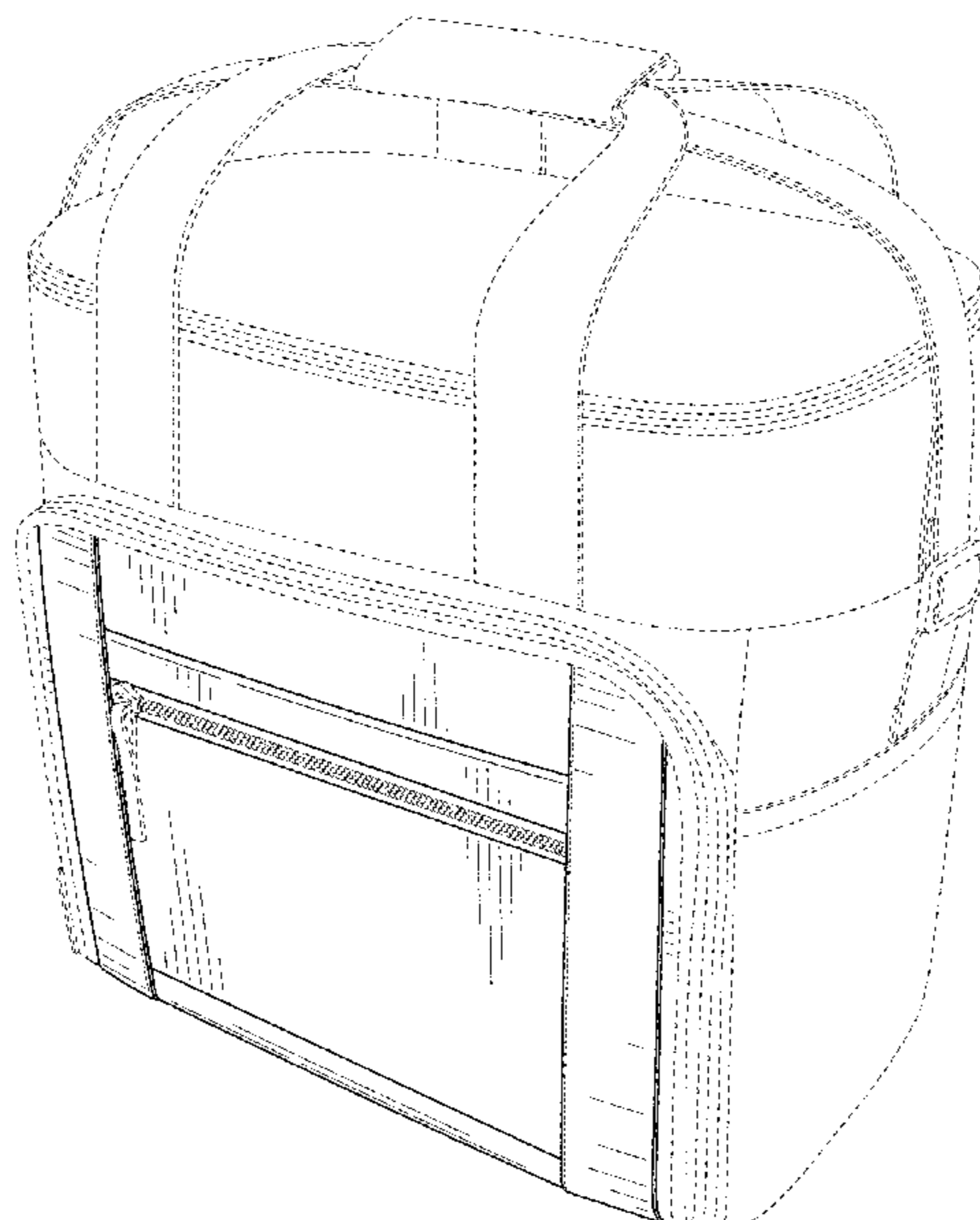
FIG. 5 is a left side elevation view thereof;

FIG. 6 is a top plan view thereof; and,

FIG. 7 is a bottom plan view thereof.

The short evenly spaced broken lines on claimed surfaces depict stitching that forms form no part of the claimed design. All other broken lines depict portions of the bag with pocket that form no part of the claimed design.

1 Claim, 6 Drawing Sheets



(56)

References Cited

U.S. PATENT DOCUMENTS

2004/0035143 A1* 2/2004 Mogil A45C 7/0077
62/457.2
2014/0190865 A1* 7/2014 Cecconi A45C 13/02
206/542
2016/0244239 A1* 8/2016 Nash B65D 81/3858
2019/0183219 A1* 6/2019 Yu A45C 7/0027

* cited by examiner

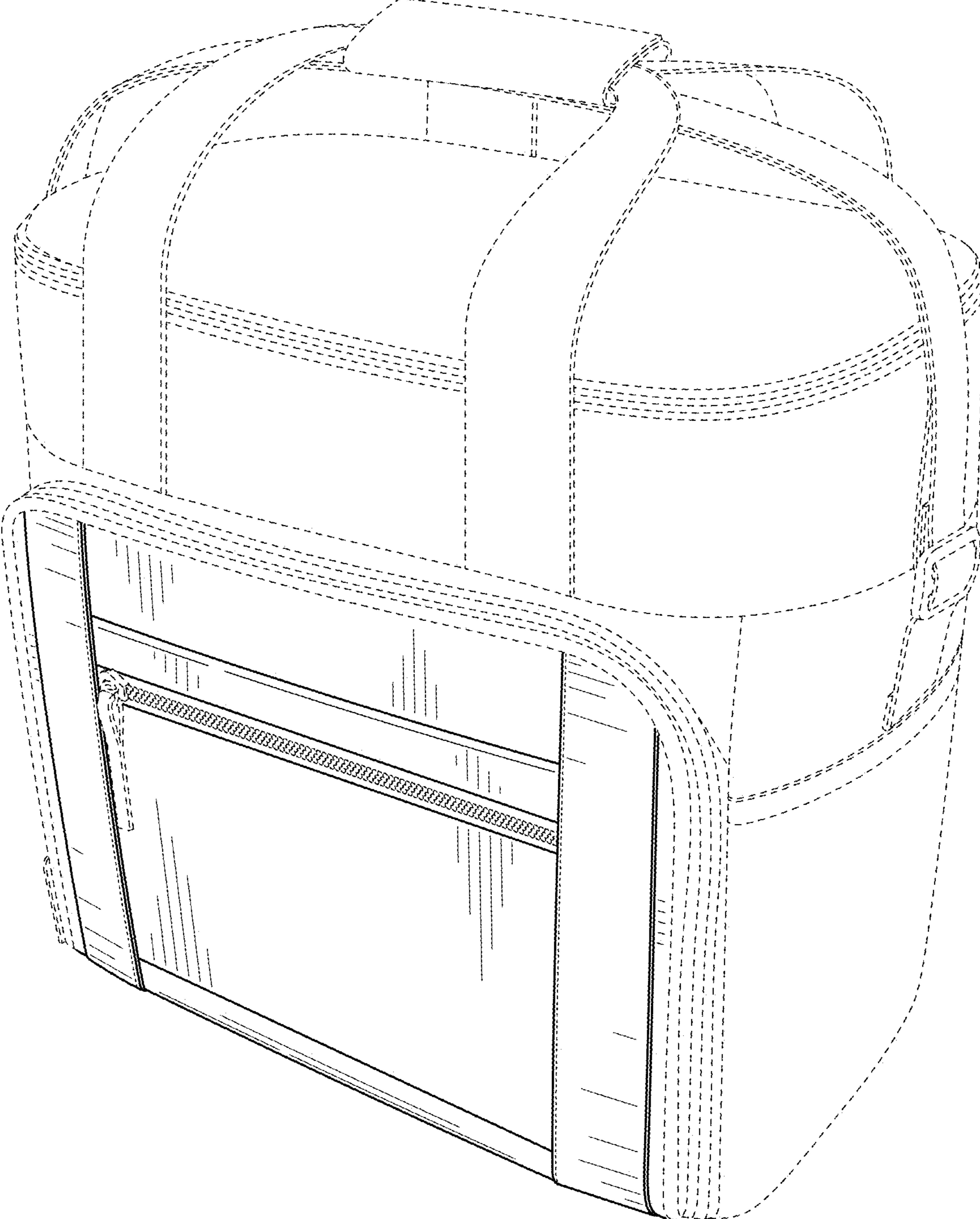


FIG. 1

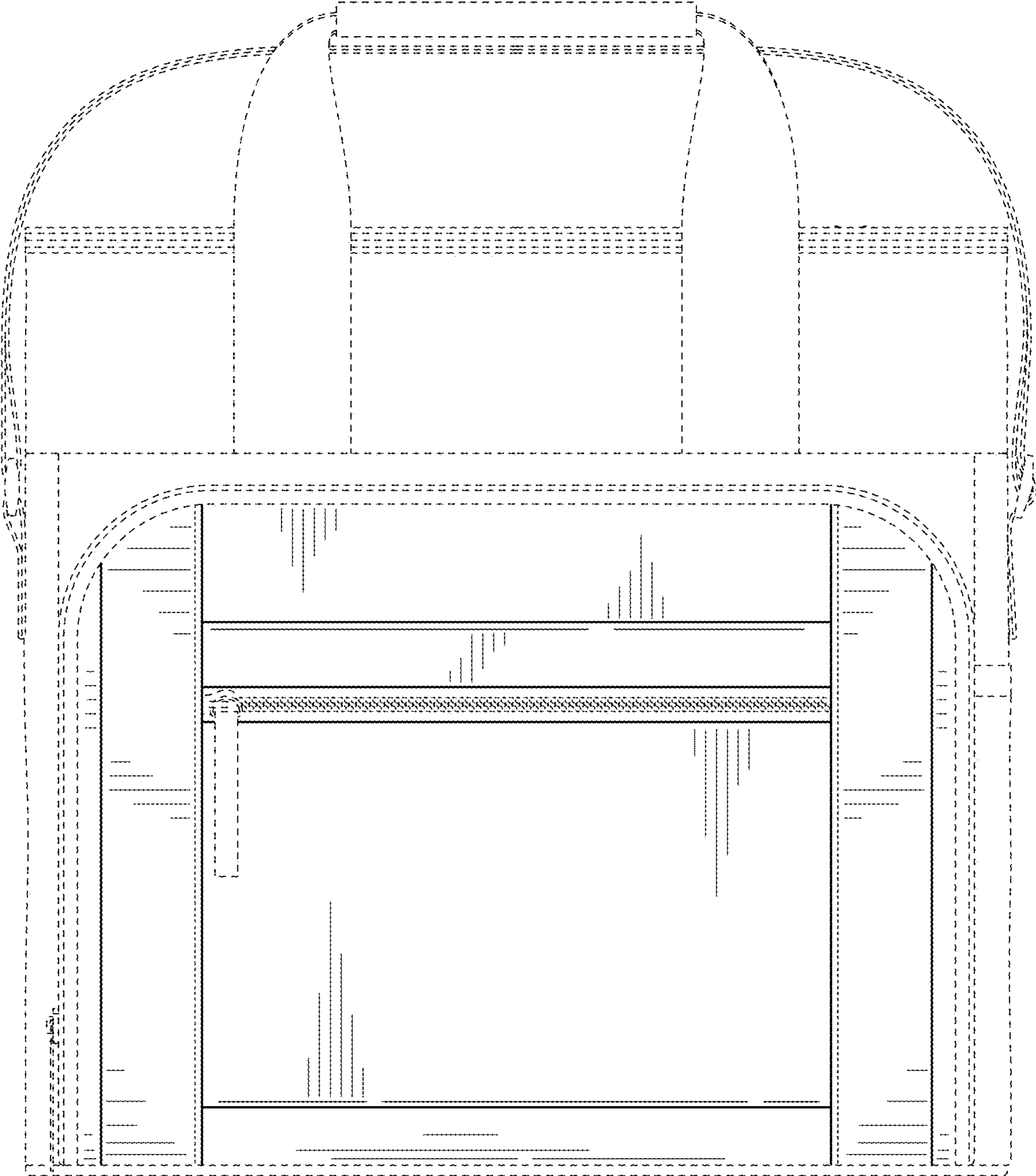


FIG. 2

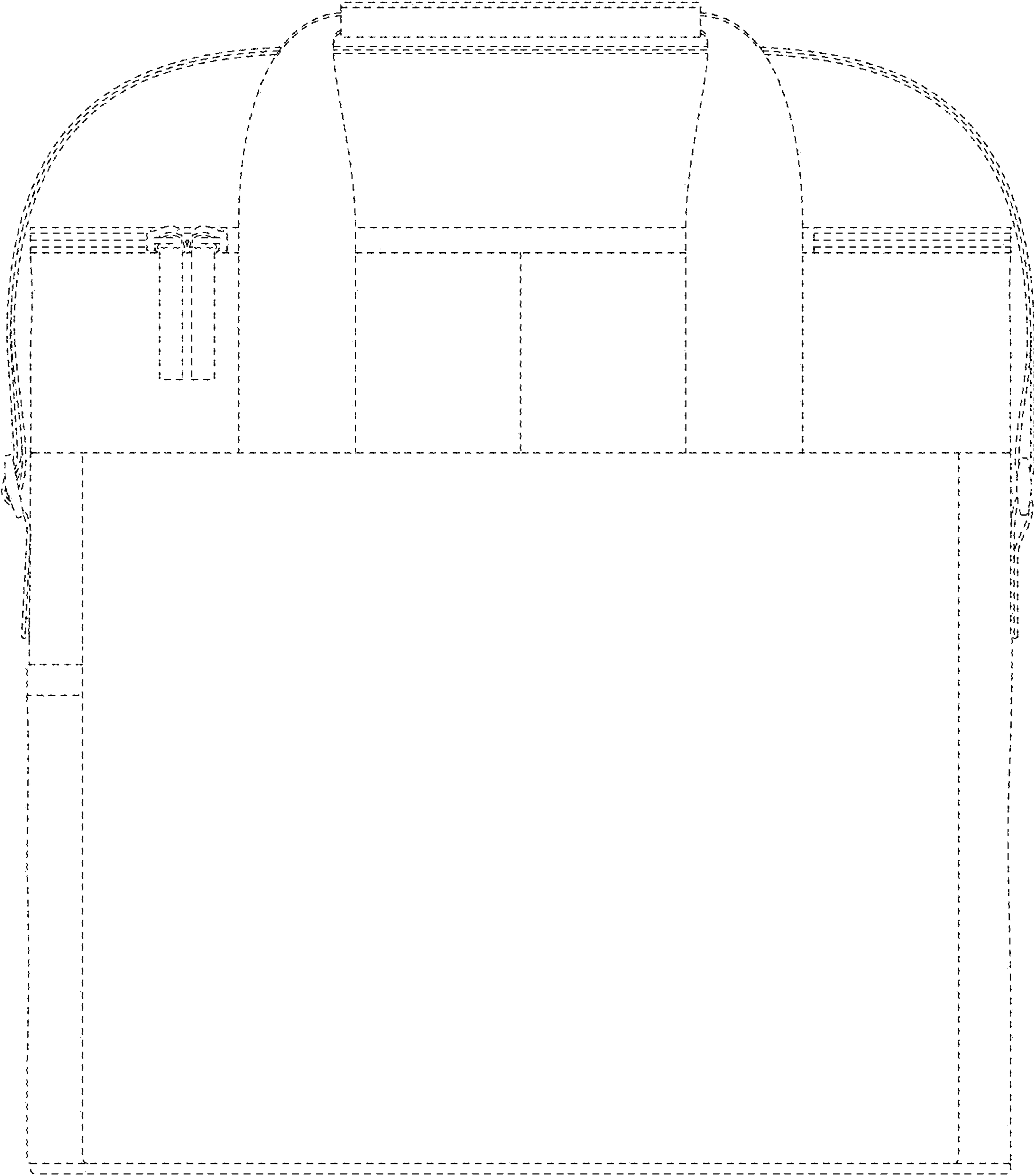


FIG. 3

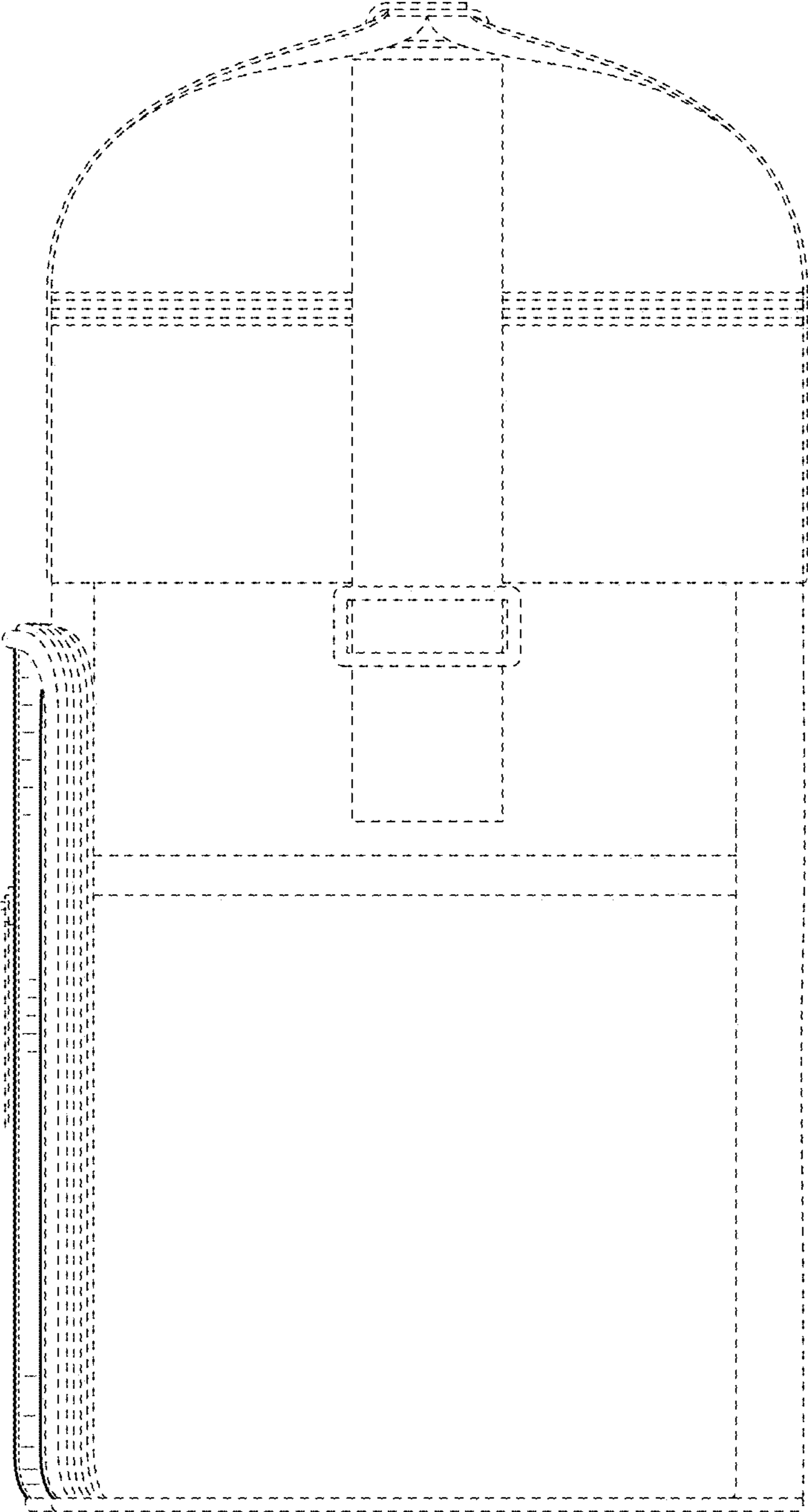


FIG. 4

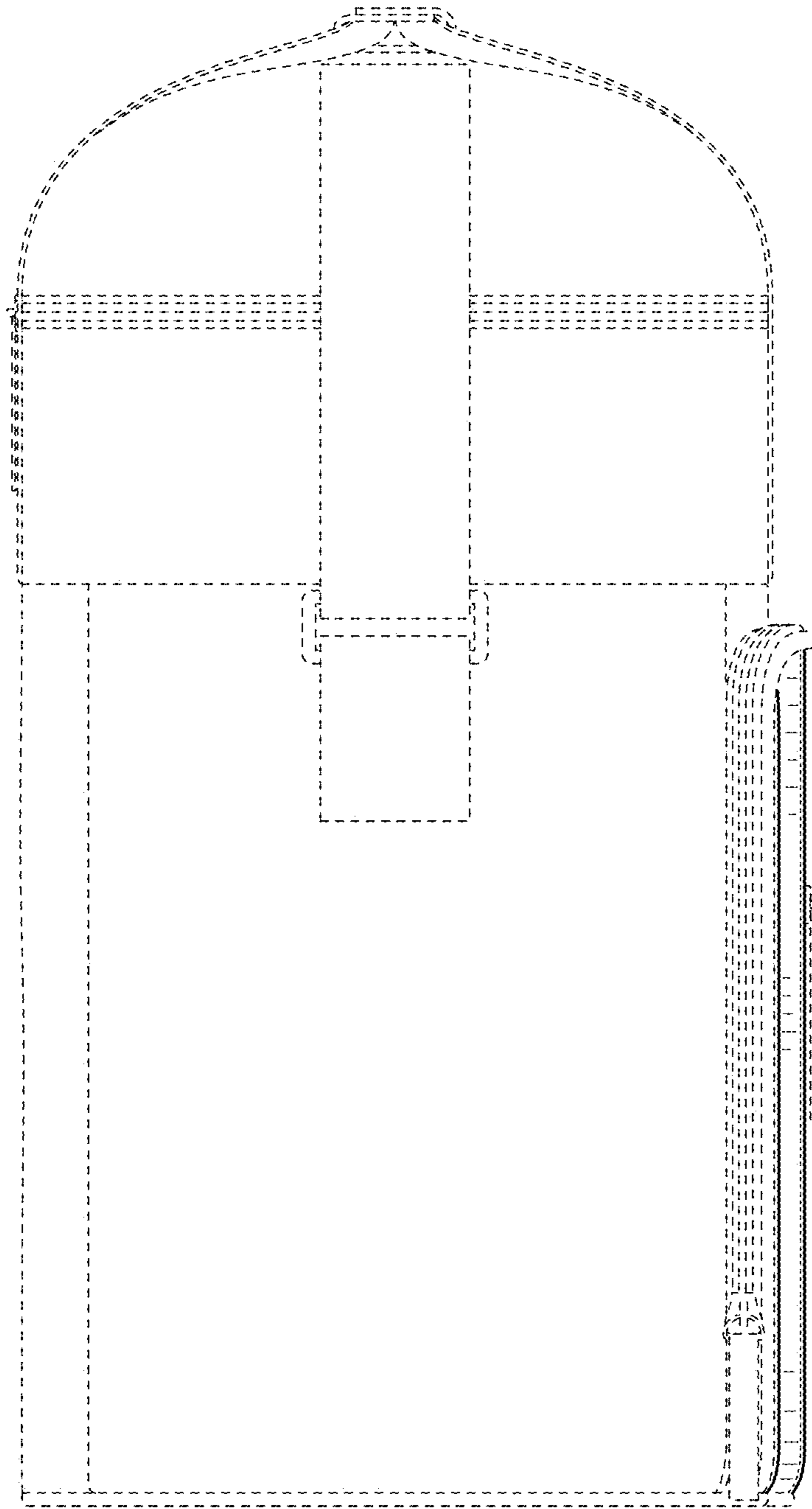


FIG. 5

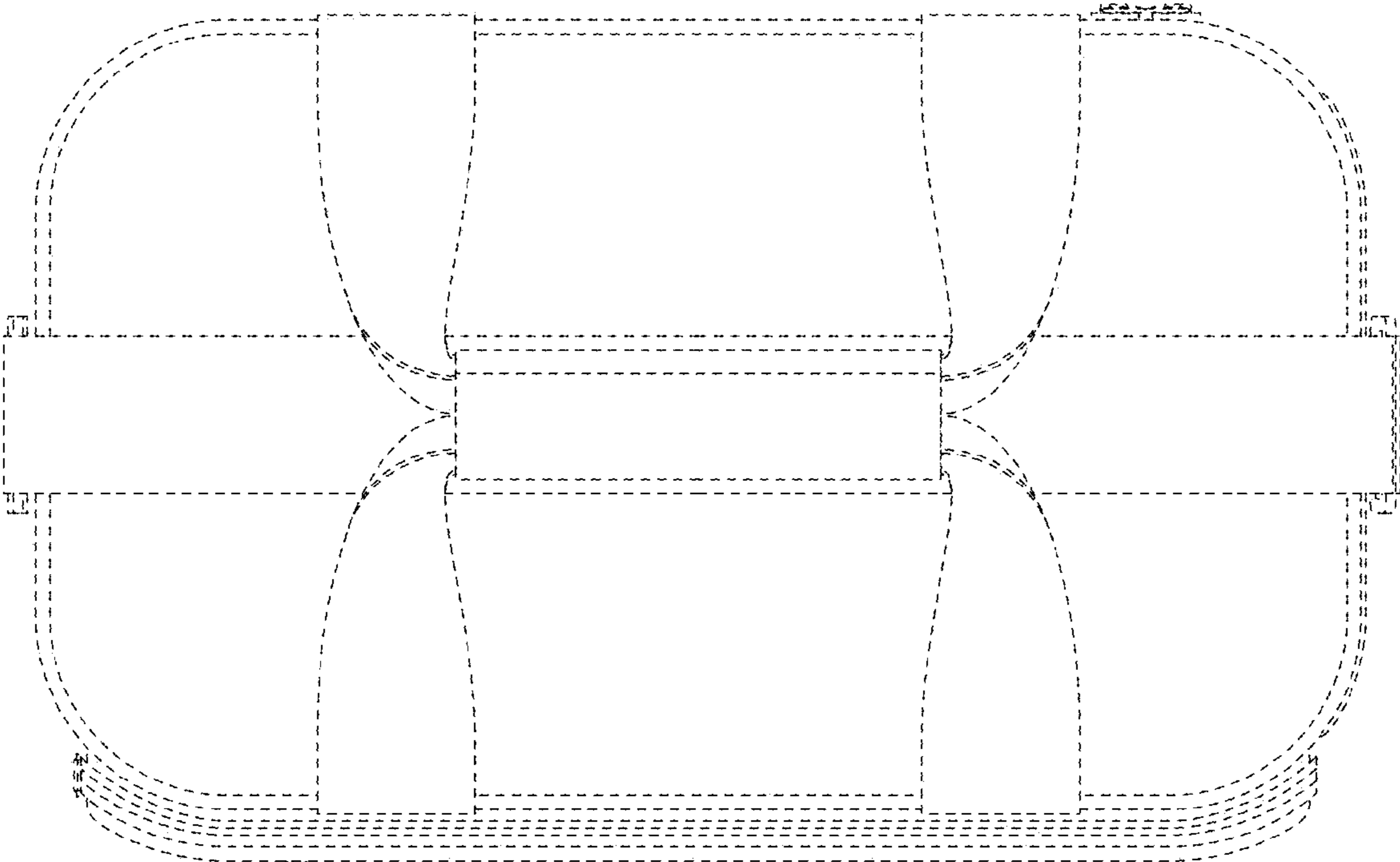


FIG. 6

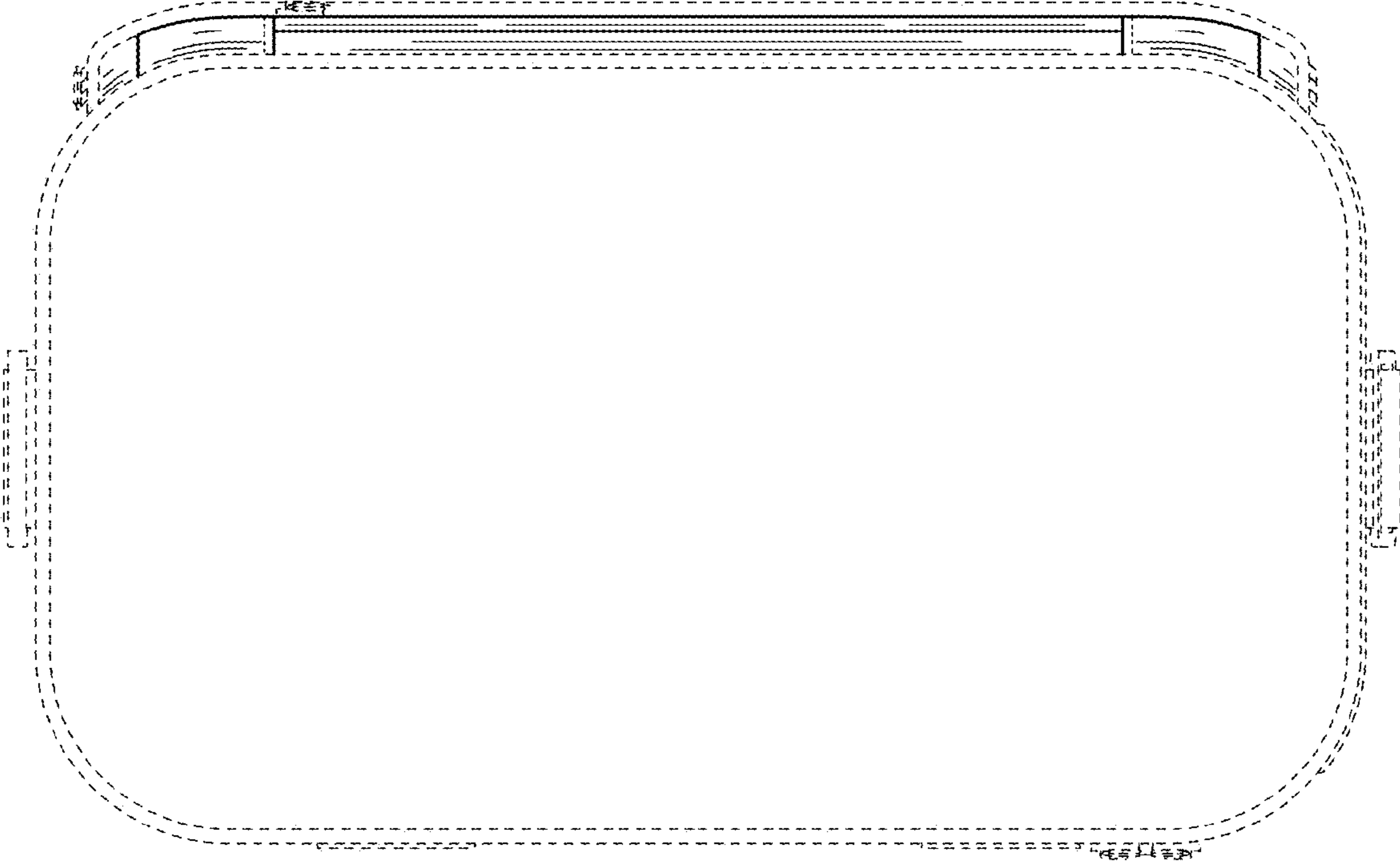


FIG. 7