



US00D940461S

(12) **United States Design Patent**
Dubé et al.

(10) **Patent No.:** **US D940,461 S**
(45) **Date of Patent:** **** Jan. 11, 2022**

(54) **TOOL RACK**
(71) Applicant: **ROUSSEAU MÉTAL INC.,**
St-Jean-Port-Joli (CA)
(72) Inventors: **Claude Dubé, La Pocatière (CA);**
Emmanuel Guay, Montmagny (CA)

7,036,668 B2 * 5/2006 Udy B25H 3/04
211/60.1
D572,904 S * 7/2008 Beckerman D3/304
D589,626 S * 3/2009 Petersen D24/230
D600,916 S * 9/2009 Schäfer D3/304
D600,928 S * 9/2009 Rake D6/353
7,757,867 B2 * 7/2010 Hsieh A47F 7/0028
211/70.6

(Continued)

(**) Term: **15 Years**

(21) Appl. No.: **35/509,563**

(22) Filed: **Aug. 7, 2019**

(80) **Hague Agreement Data**

Int. Filing Date: **Aug. 7, 2019**
Int. Reg. No.: **DM/208529**
Int. Reg. Date: **Aug. 7, 2019**
Int. Reg. Pub. Date: **Jun. 12, 2020**

(51) **LOC (13) Cl.** **03-01**

(52) **U.S. Cl.**
USPC **D3/318**

(58) **Field of Classification Search**
USPC D3/304, 307, 318; D6/702, 682.2, 684,
D6/553, 567, 574; D8/71
CPC . B25H 3/00; B25H 3/003; B25H 3/04; B25H
3/06
See application file for complete search history.

(56) **References Cited**

U.S. PATENT DOCUMENTS

D201,695 S * 7/1965 Bieger et al. D7/705
D258,721 S * 3/1981 Steeg D3/307
4,509,649 A * 4/1985 Evans B25H 3/00
211/69
5,573,116 A * 11/1996 Zink B25H 3/06
206/377
D392,142 S * 3/1998 Weisburn D6/553
D446,611 S * 8/2001 Gunter 119/51.01
6,920,986 B2 * 7/2005 Lacombe B25H 3/003
211/70.6

OTHER PUBLICATIONS

Laksi Tool Holder Rack LAK-1600, laksicarts.com, <https://laksicarts.com/product/cnc-tool-cart/tool-holder-rack/cat-30-bt-30> (Year: 2021).*

(Continued)

Primary Examiner — Steven J Czyz

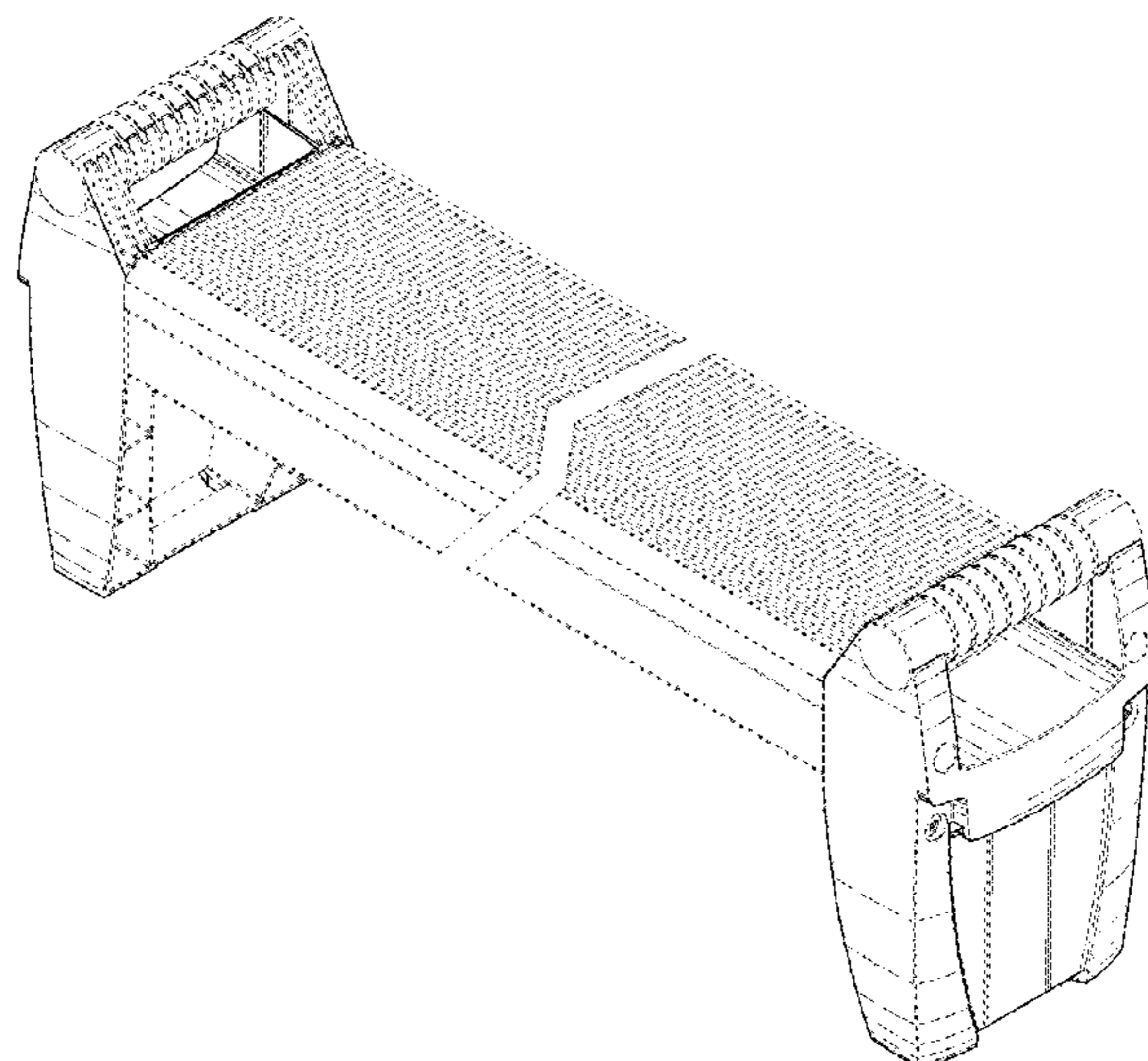
(57) **CLAIM**

The ornamental design for a tool rack, as shown and described.

DESCRIPTION

1. Tool rack
1.1 is a top perspective view of a tool rack according to the new design;
1.2 is a side view thereof;
1.3 is a top view thereof;
1.4 is a bottom view thereof;
1.5 is an end view thereof; and
1.6 is a perspective view showing the tool rack of the new design mounted onto a corresponding tool station with a plurality of other similar tool racks.
The design consists of the features of shape, ornament, pattern and configuration of the article shown in the drawings. The broken lines depict portions of the article that form no part of the claimed design. The tool rack is shown with a symbolic break in its length. The appearance of any portion of the article between the break lines forms no part of the claimed design. Fig. 1.6 is provided for reference only and does not form part of the claimed design.

1 Claim, 5 Drawing Sheets



(56)

References Cited

U.S. PATENT DOCUMENTS

7,798,336 B2 * 9/2010 Shiao B25H 3/04
 211/70.6
 D637,851 S * 5/2011 Hsieh D6/567
 D661,488 S * 6/2012 Kraemer D3/304
 D705,632 S * 5/2014 Larson D8/71
 8,967,379 B2 * 3/2015 Kinskey B25H 3/06
 206/373
 D747,102 S * 1/2016 Kraemer D3/307
 9,446,509 B2 * 9/2016 Martin B62B 3/02
 D777,993 S * 1/2017 Green D30/133
 D785,428 S * 5/2017 Friesen D8/71
 D787,135 S * 5/2017 Green D30/133
 9,687,980 B2 * 6/2017 Yeh B25H 3/003
 D798,126 S * 9/2017 Ursell B25H 1/04
 D8/71
 D816,378 S * 5/2018 Ernst D6/683.1
 D825,926 S * 8/2018 Lauber D3/318
 D838,482 S * 1/2019 Pistauer D3/304
 D862,027 S * 10/2019 Lizotte D34/21
 D862,881 S * 10/2019 Milburn D3/281

10,500,712 B2 * 12/2019 Ernst B25H 3/04
 10,632,607 B2 * 4/2020 Aguilar B25H 3/04
 D884,431 S * 5/2020 Chiang D7/554.3
 10,676,043 B2 * 6/2020 Klatt B60R 11/00
 10,710,233 B2 * 7/2020 Zoller F16B 2/22
 10,710,234 B1 * 7/2020 Summers B25H 3/06
 D903,209 S * 11/2020 Jiang D30/133
 D915,856 S * 4/2021 Chen D8/71
 10,967,341 B2 * 4/2021 Stiver B01F 11/0017

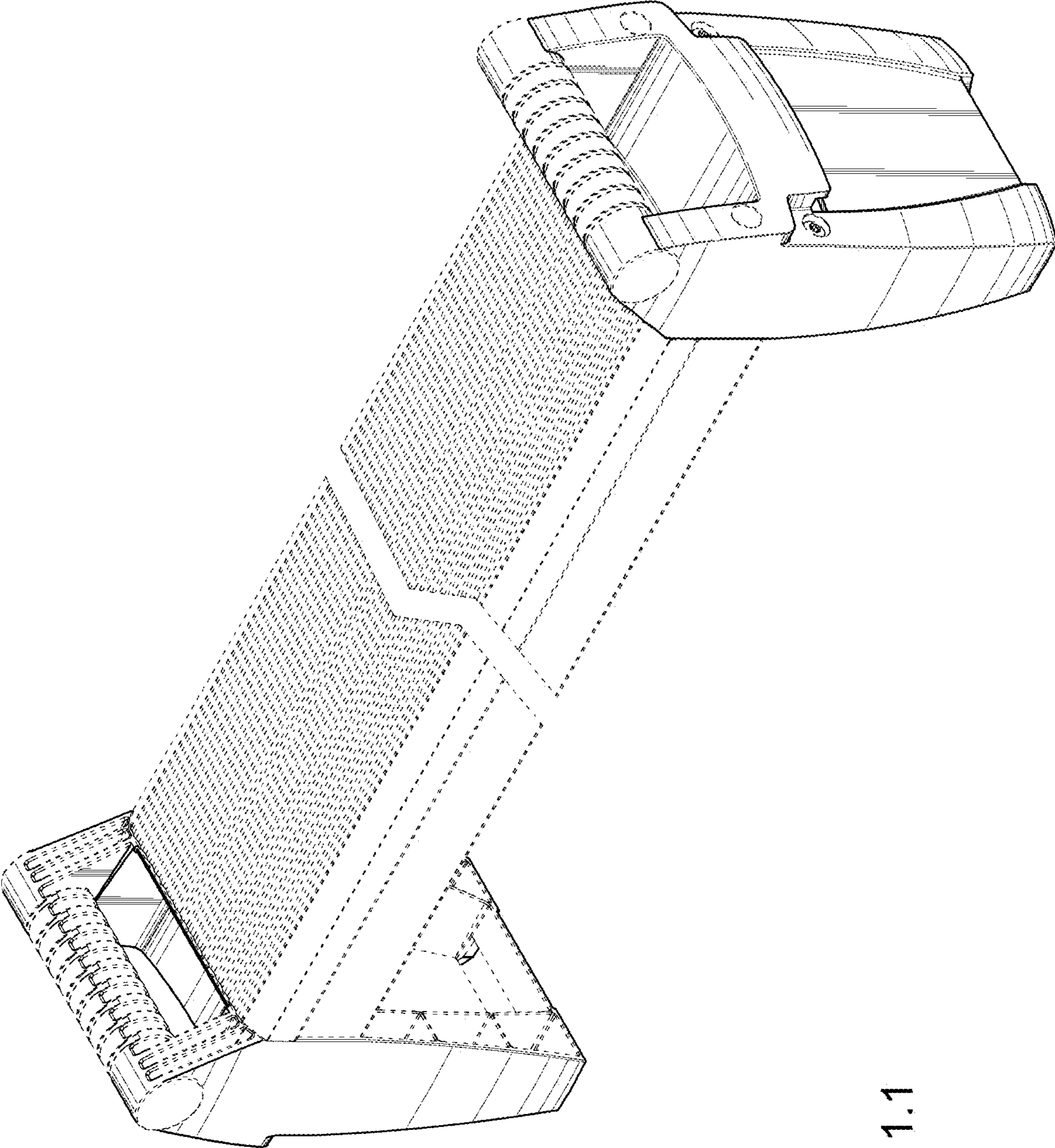
OTHER PUBLICATIONS

Huot 40 Taper NC Tool Tote Rack, kbctools.com, <https://www.kbctools.com/itemdetail/1-030-14780> (Year: 2021).*

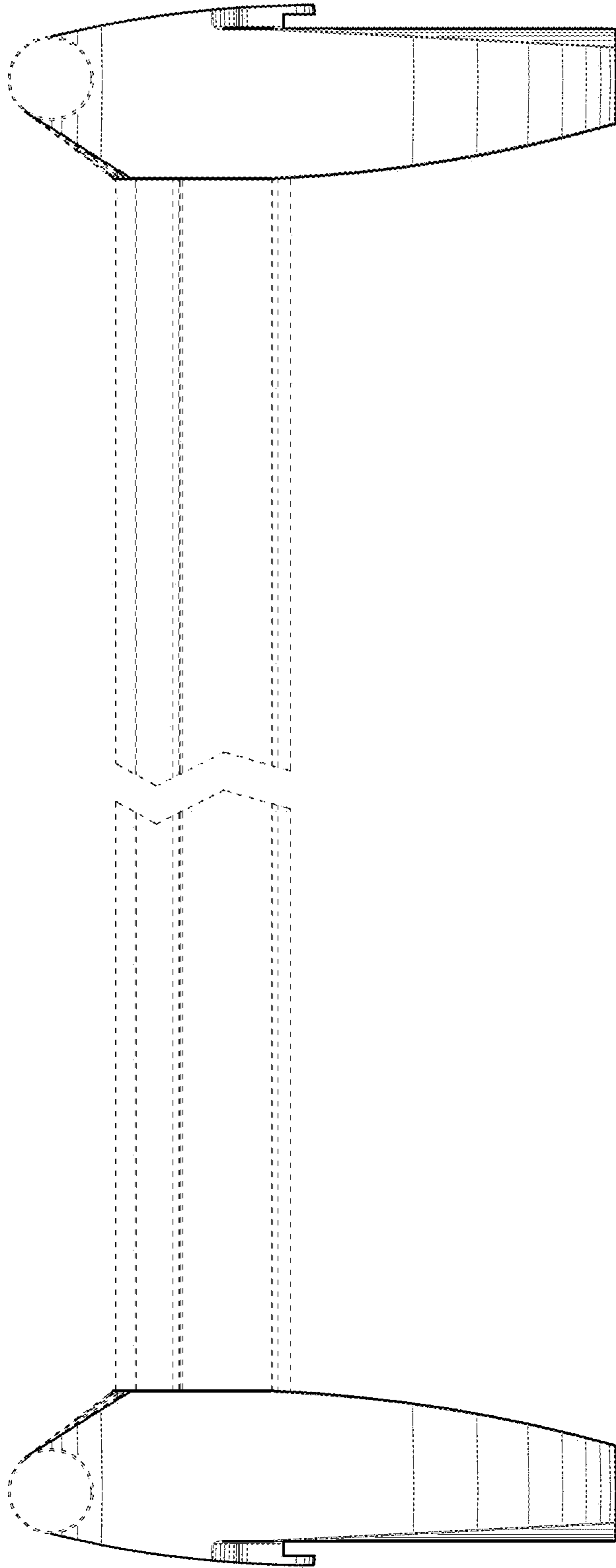
NC12-3005 Manufactured by Rousseau Metal Inc, Tool Box/Case, radwell.com, <https://www.radwell.com/Shop?source=GoogleShopping&IgnoreRedirect=true&ItemSingleId=88766245> (Year: 2018).*

CNC Tool Storage Solutions, cisco-eagle.com, <https://www.cisco-eagle.com/uploads/Rousseau-Catalog/CNC-Tool-Storage.pdf> (Year: 2021).*

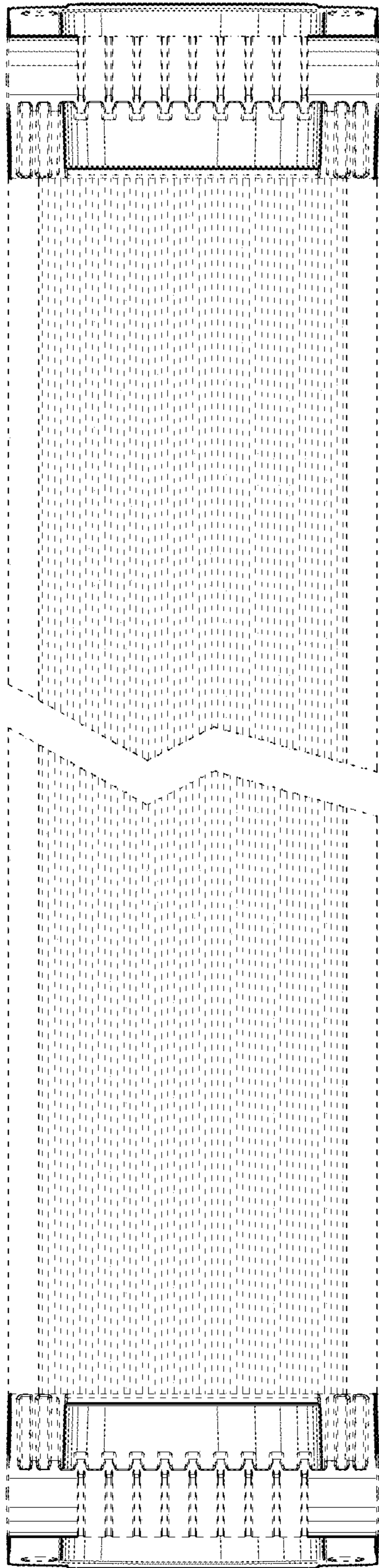
* cited by examiner



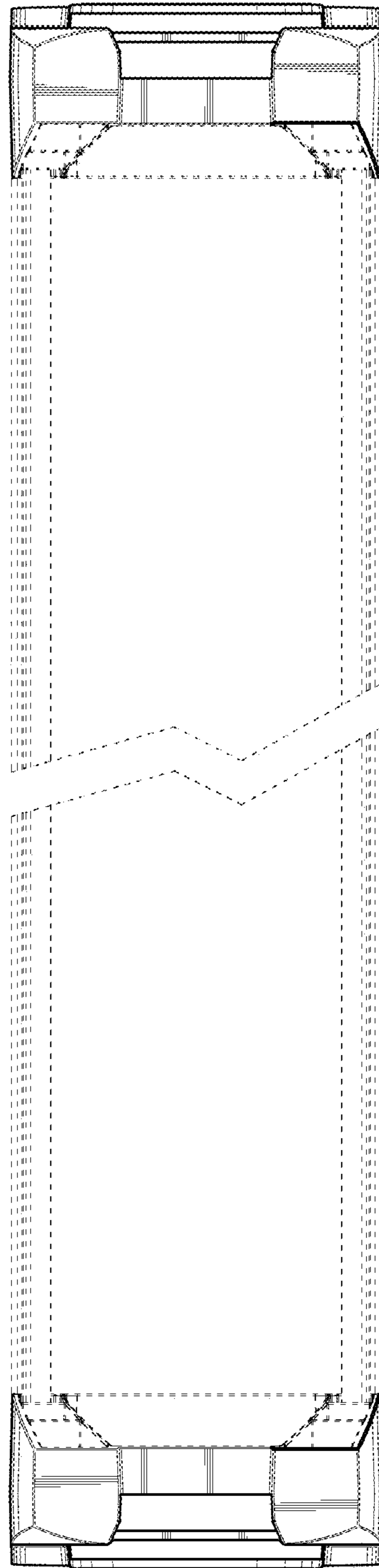
1.1



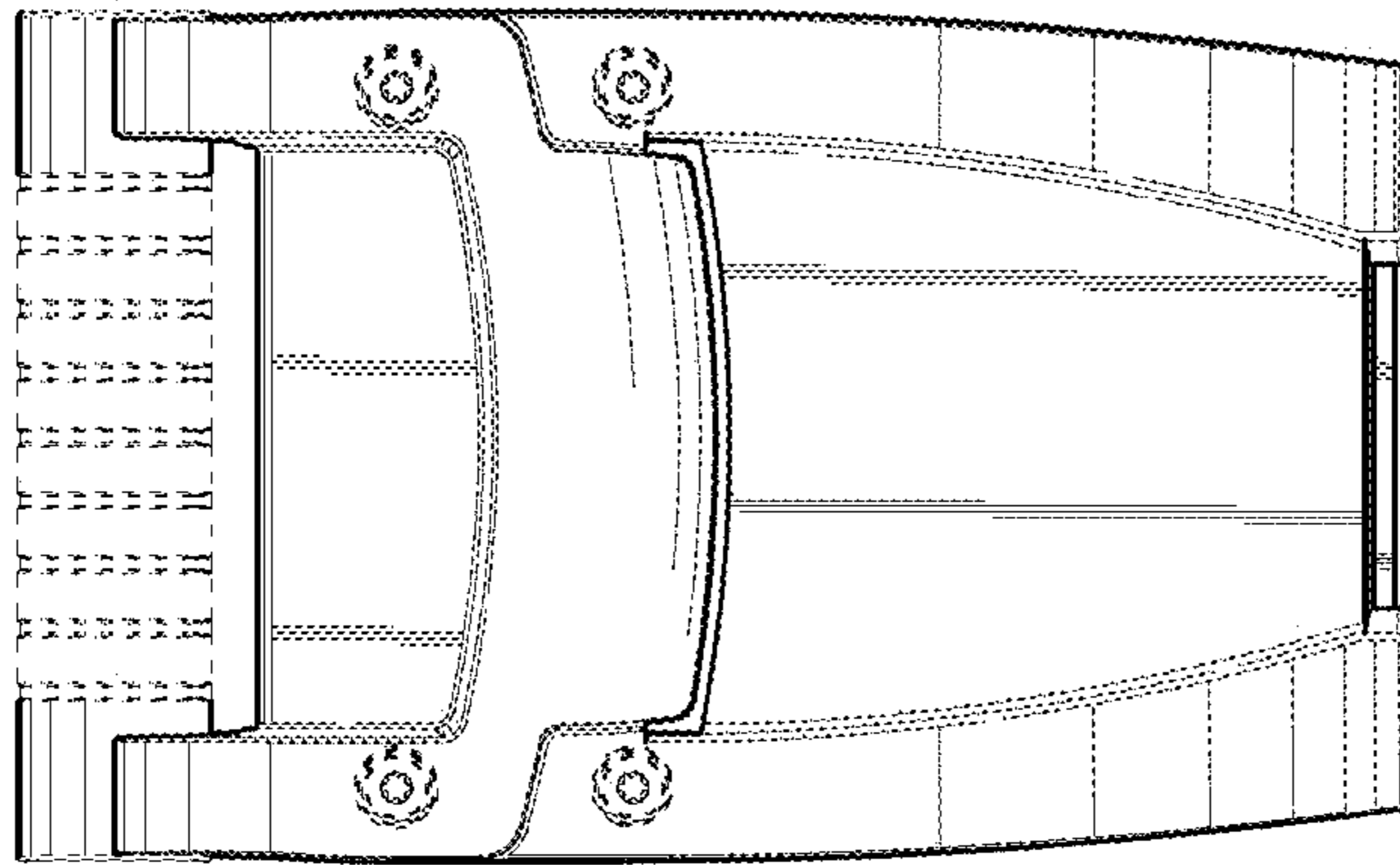
1.2



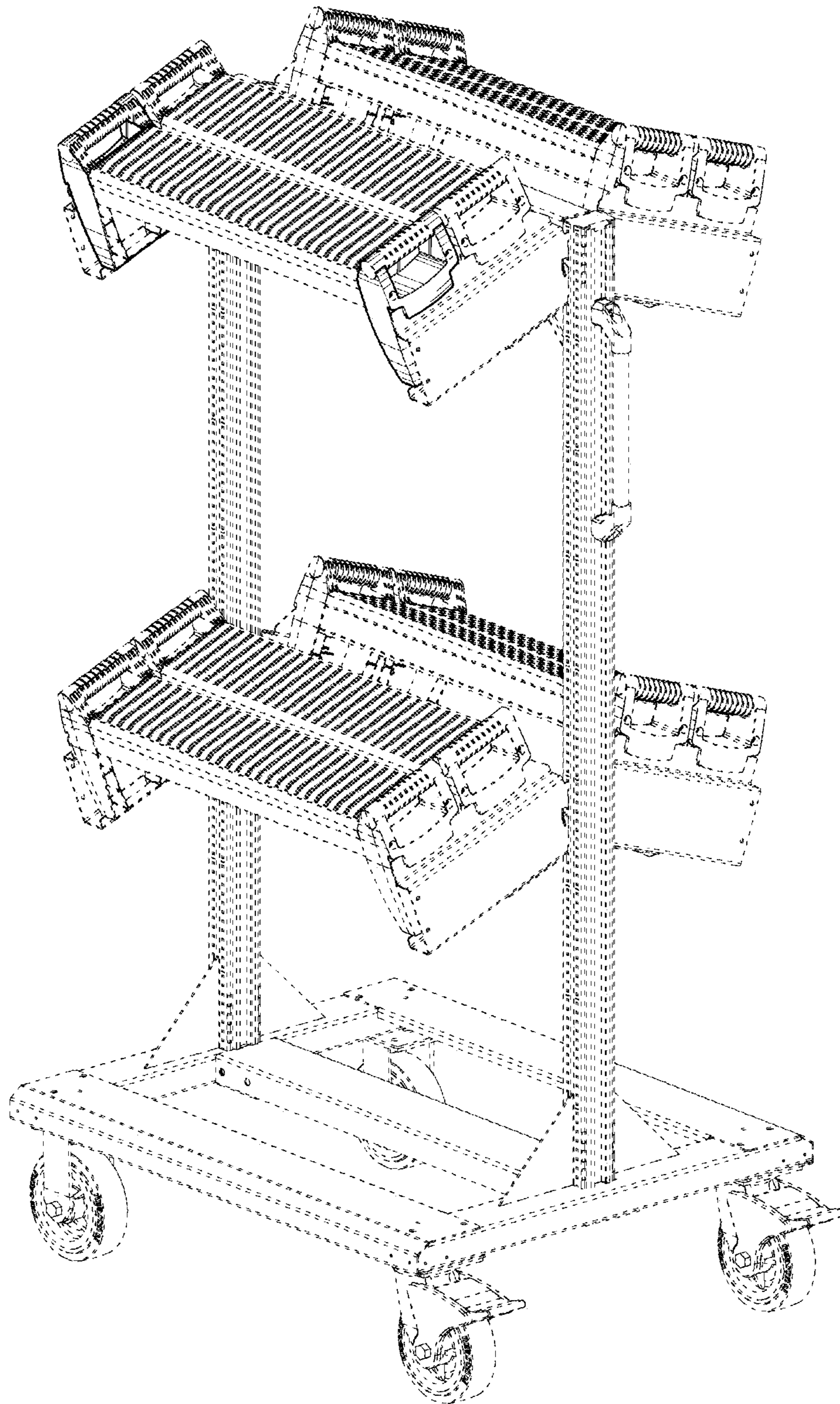
1.3



1.4



1.5



1.6