

US00D940460S

(12) **United States Design Patent** (10) **Patent No.:** **US D940,460 S**
Payton et al. (45) **Date of Patent:** **** Jan. 11, 2022**

(54) **BAG**
(71) Applicant: **AP Design Group, LLC**, Los Angeles, CA (US)
(72) Inventors: **Sofia Payton**, Los Angeles, CA (US); **Thomas Payton**, Los Angeles, CA (US); **Helena Ardell**, Los Angeles, CA (US); **Christopher Ardell**, Los Angeles, CA (US)
(73) Assignee: **AP DESIGN GROUP, LLC**, Los Angeles, CA (US)
(**) Term: **15 Years**
(21) Appl. No.: **29/708,540**
(22) Filed: **Oct. 7, 2019**
(51) **LOC (13) Cl.** **03-01**
(52) **U.S. Cl.**
USPC **D3/318; D3/246**
(58) **Field of Classification Search**
USPC D3/232, 240, 245–246, 318, 321–322, D3/324, 328; D30/151–152, 154
CPC ... A45C 3/06; A45C 13/30; A45F 3/04; A45F 3/14; A45F 2003/146; A01K 27/002; B68B 5/00
See application file for complete search history.

D630,430 S * 1/2011 Gonzalez D3/232
D785,944 S * 5/2017 Chung D3/318
D833,688 S * 11/2018 Stouder D30/152
D891,762 S * 8/2020 Canovas Del Rey D3/231
2002/0113105 A1* 8/2002 Jarman A45F 3/14
224/260
2015/0321899 A1* 11/2015 Ball B44C 1/28
428/99

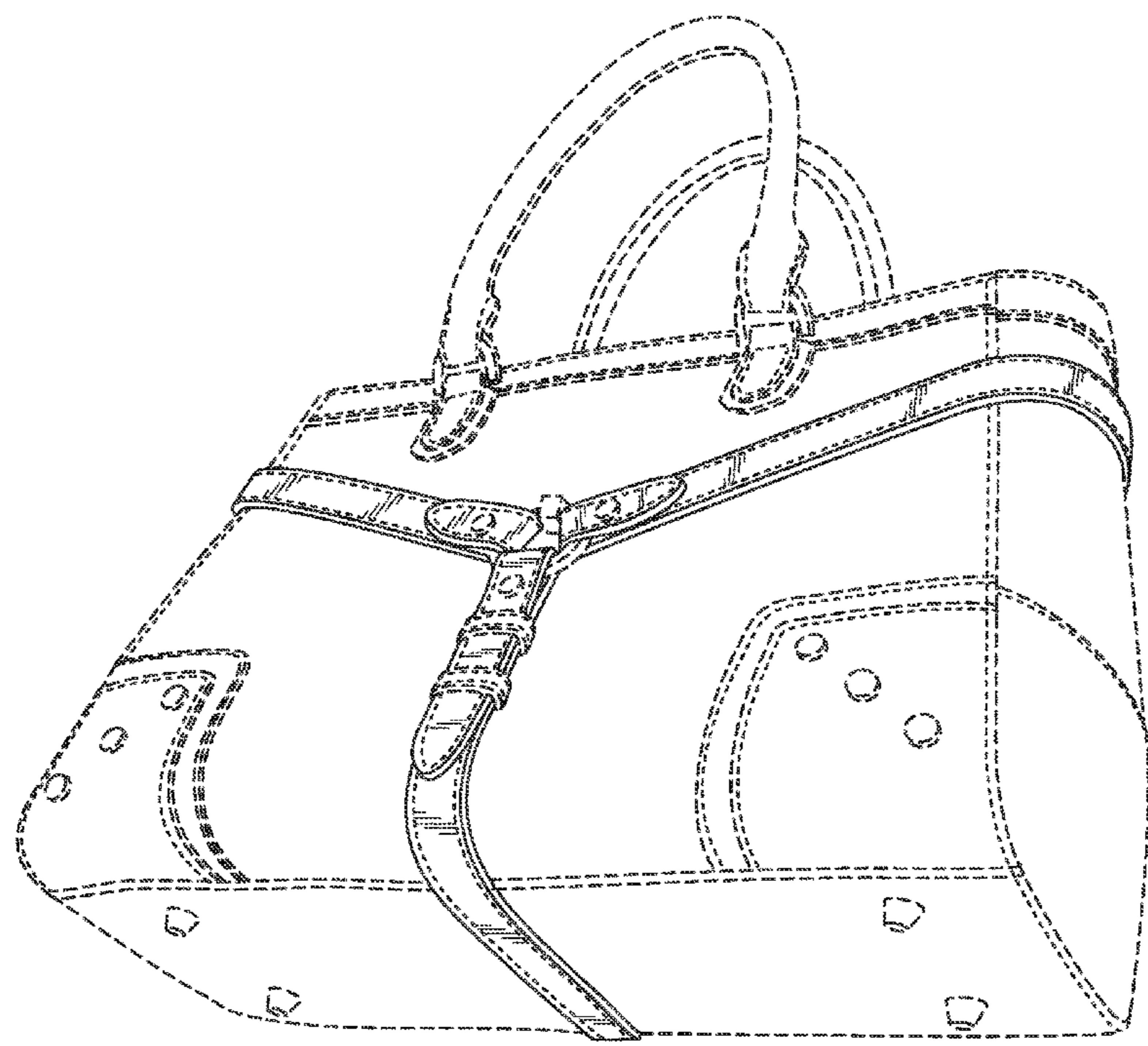
* cited by examiner
Primary Examiner — Jennifer L Watkins
Assistant Examiner — Samantha Lynne Brodowski
(74) *Attorney, Agent, or Firm* — Cohen IP Law Group, P.C.; Michael N. Cohen

(57) **CLAIM**
We claim the ornamental design for a bag, as shown and described.

DESCRIPTION
FIG. 1 is a perspective view showing our design for a bag; FIG. 2 is another perspective view thereof; FIG. 3 is another perspective view thereof; FIG. 4 is a front elevation view thereof; FIG. 5 is a back elevation view thereof; FIG. 6 is a left side elevation view thereof; FIG. 7 is a right side elevation view thereof; FIG. 8 is a top plan view thereof; and, FIG. 9 is a bottom plan view thereof.
In the drawings, the long dashed broken lines showing a handbag depict environment and form no part of the claim. The short evenly dashed broken lines in the figures depict stitching and form no part of the claim.

(56) **References Cited**
U.S. PATENT DOCUMENTS
D487,632 S * 3/2004 Galliano D3/246
D492,107 S * 6/2004 Brown D3/218
D524,543 S * 7/2006 Toler D3/318
D627,563 S * 11/2010 Gonzalez D3/318

1 Claim, 9 Drawing Sheets



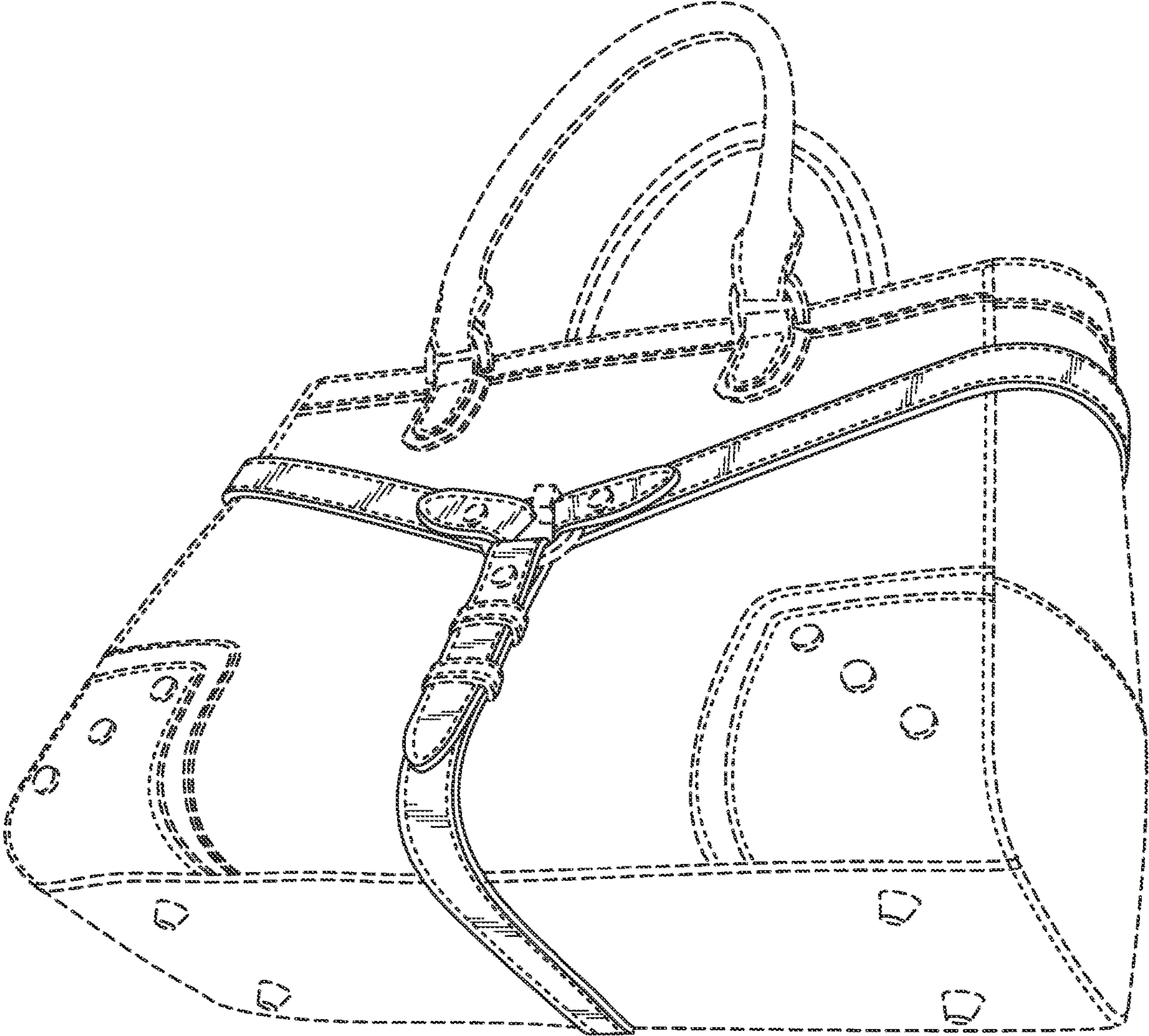


FIG. 1

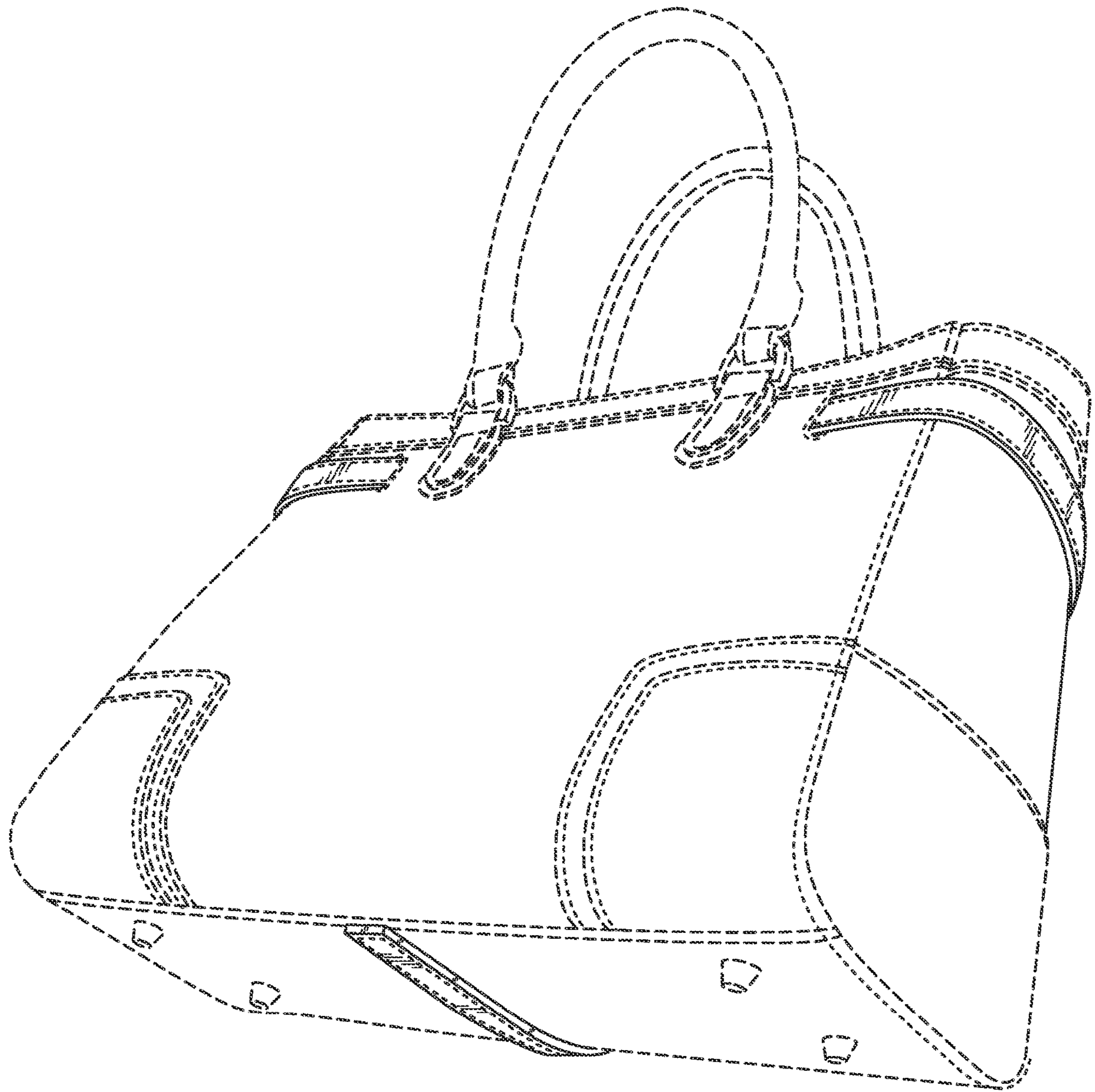


FIG. 2



FIG. 3

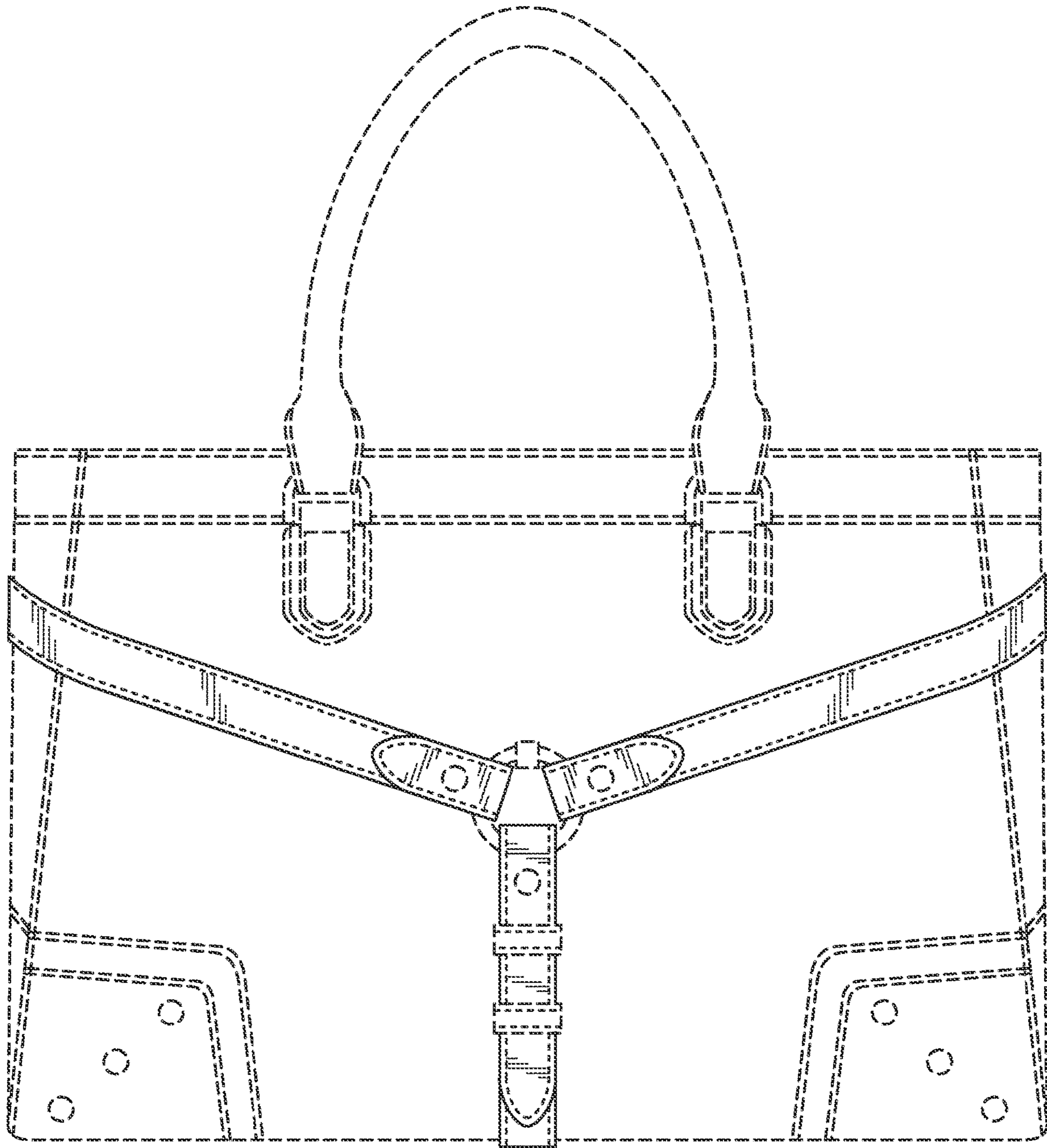


FIG. 4

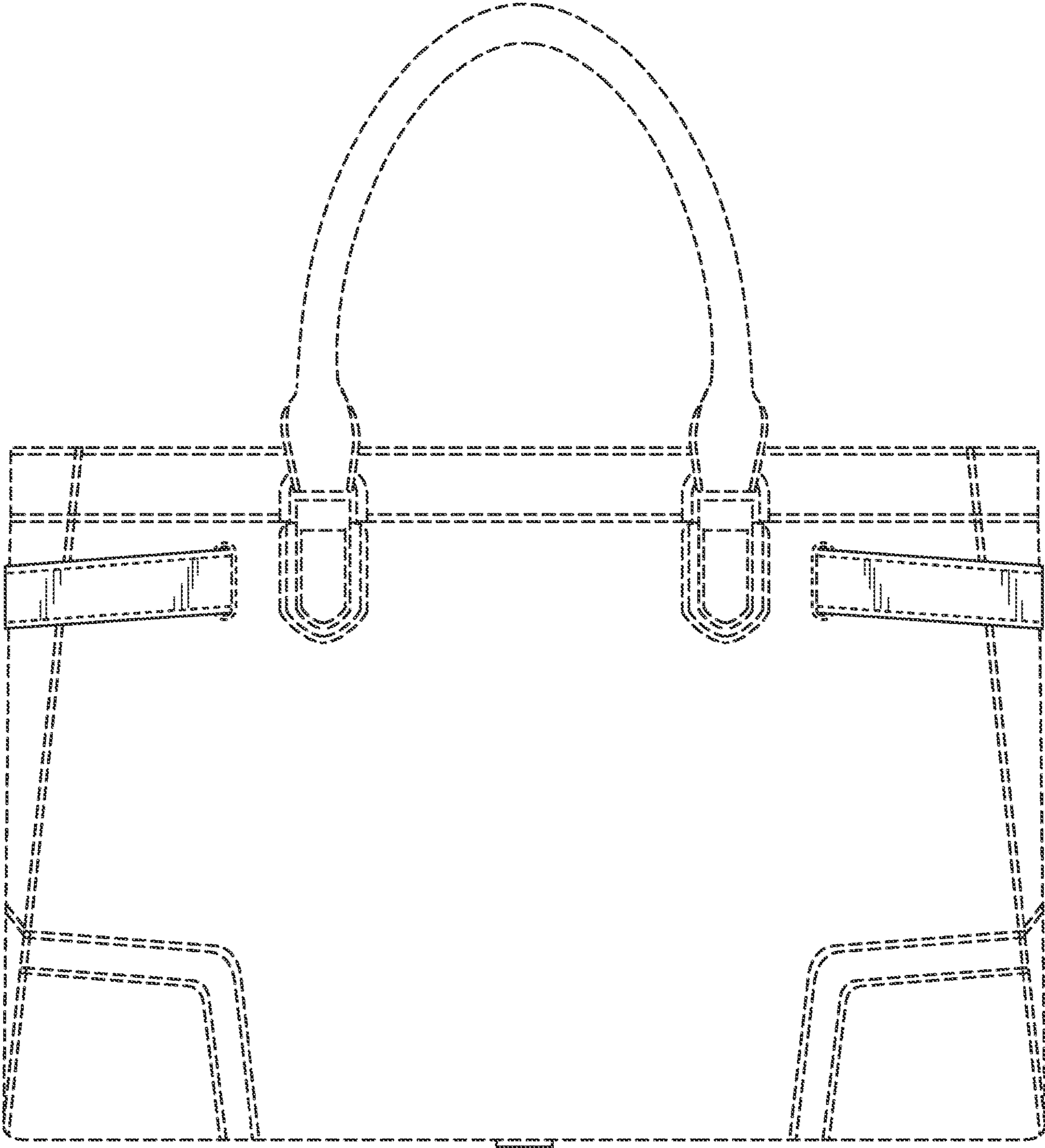


FIG. 5

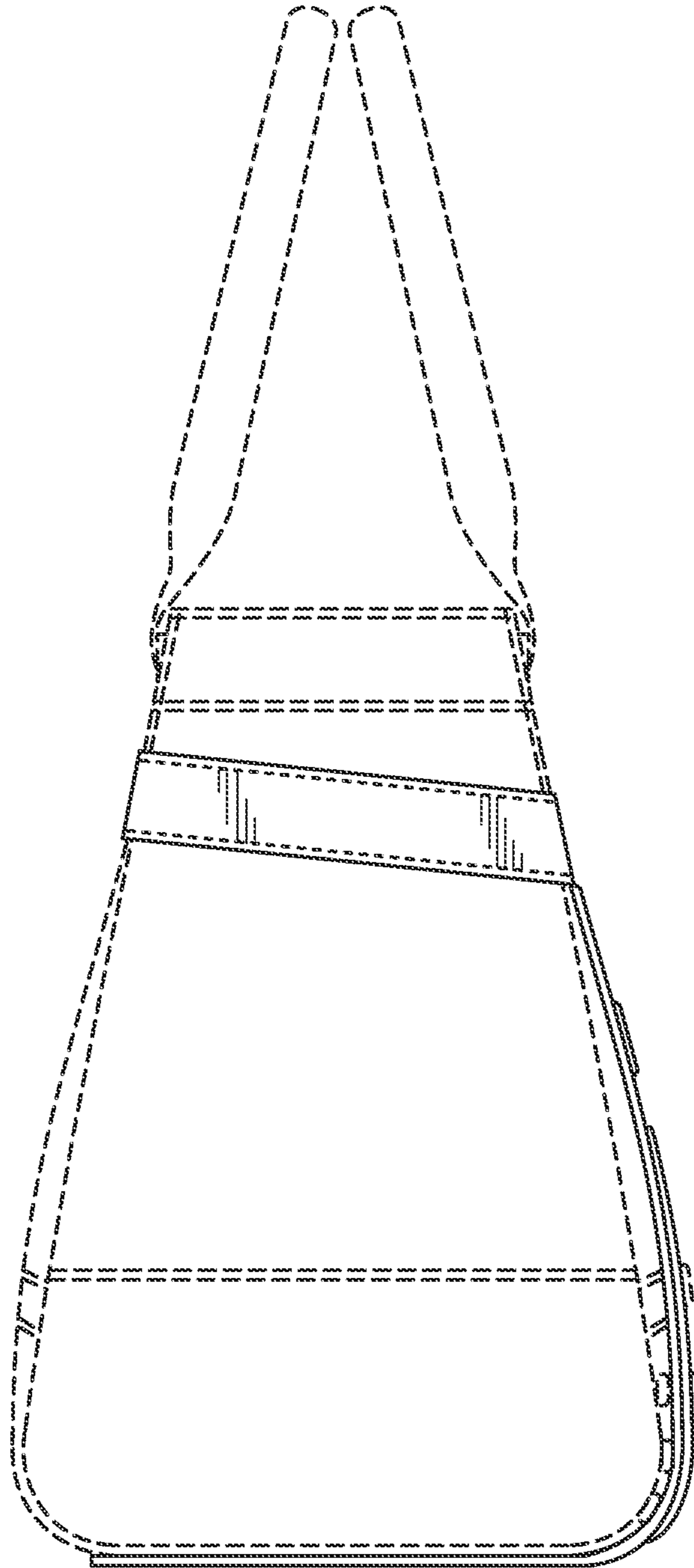


FIG. 6

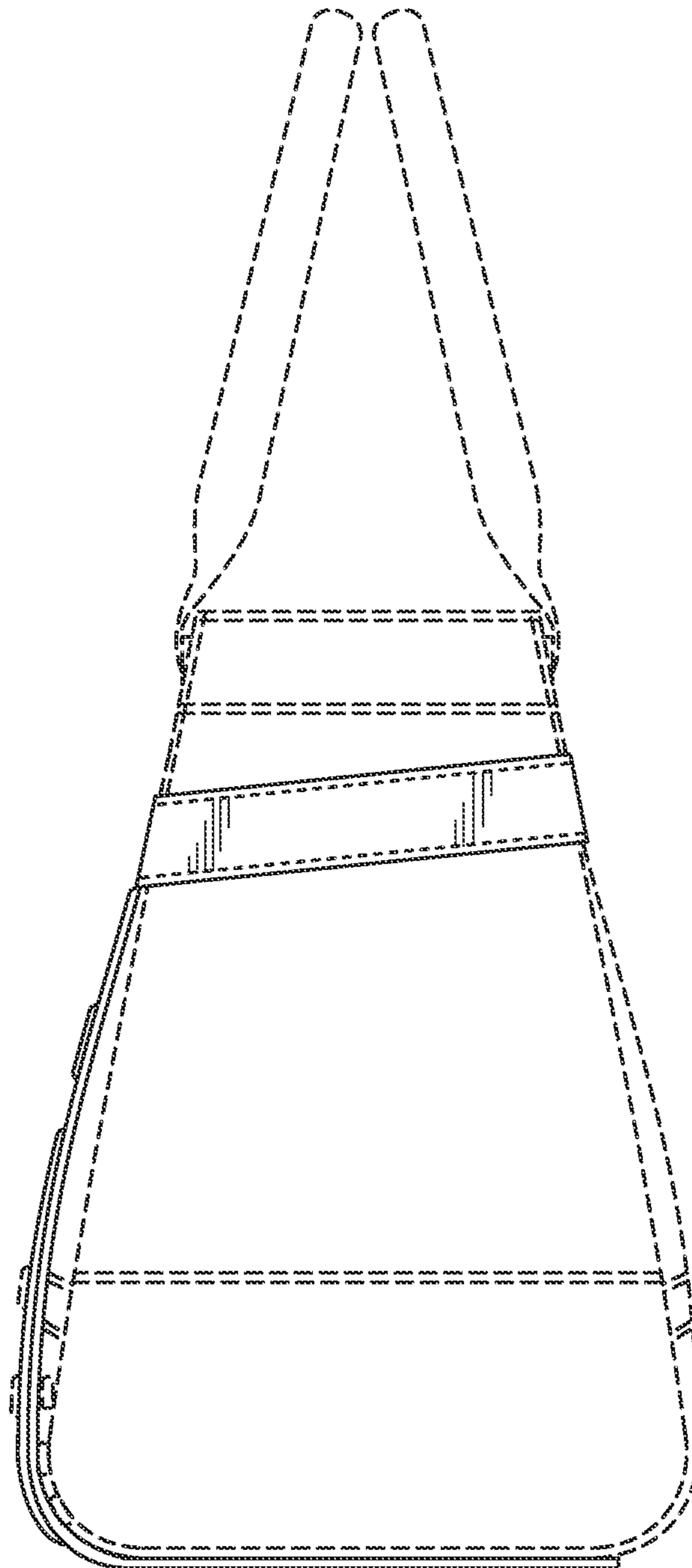


FIG. 7

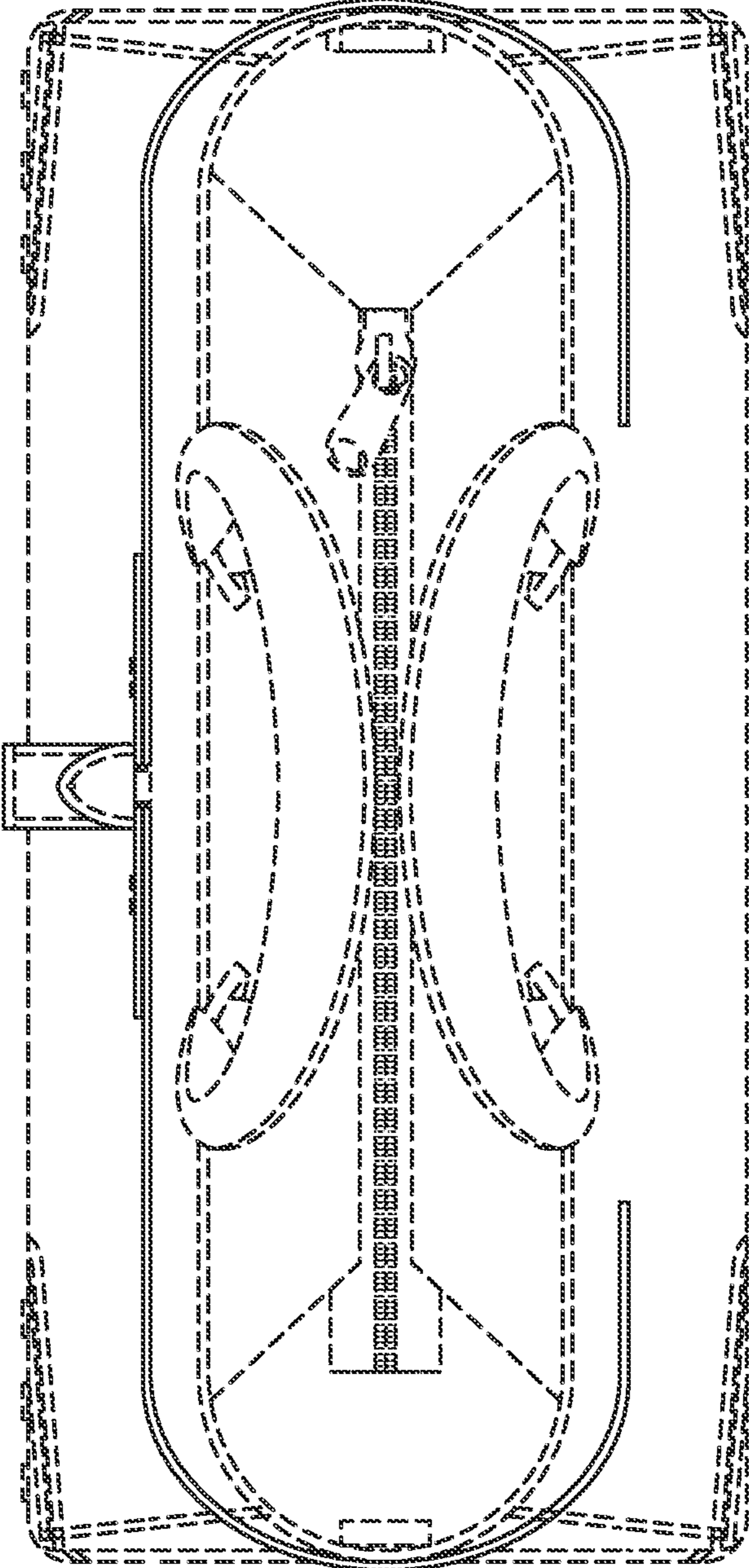


FIG. 8

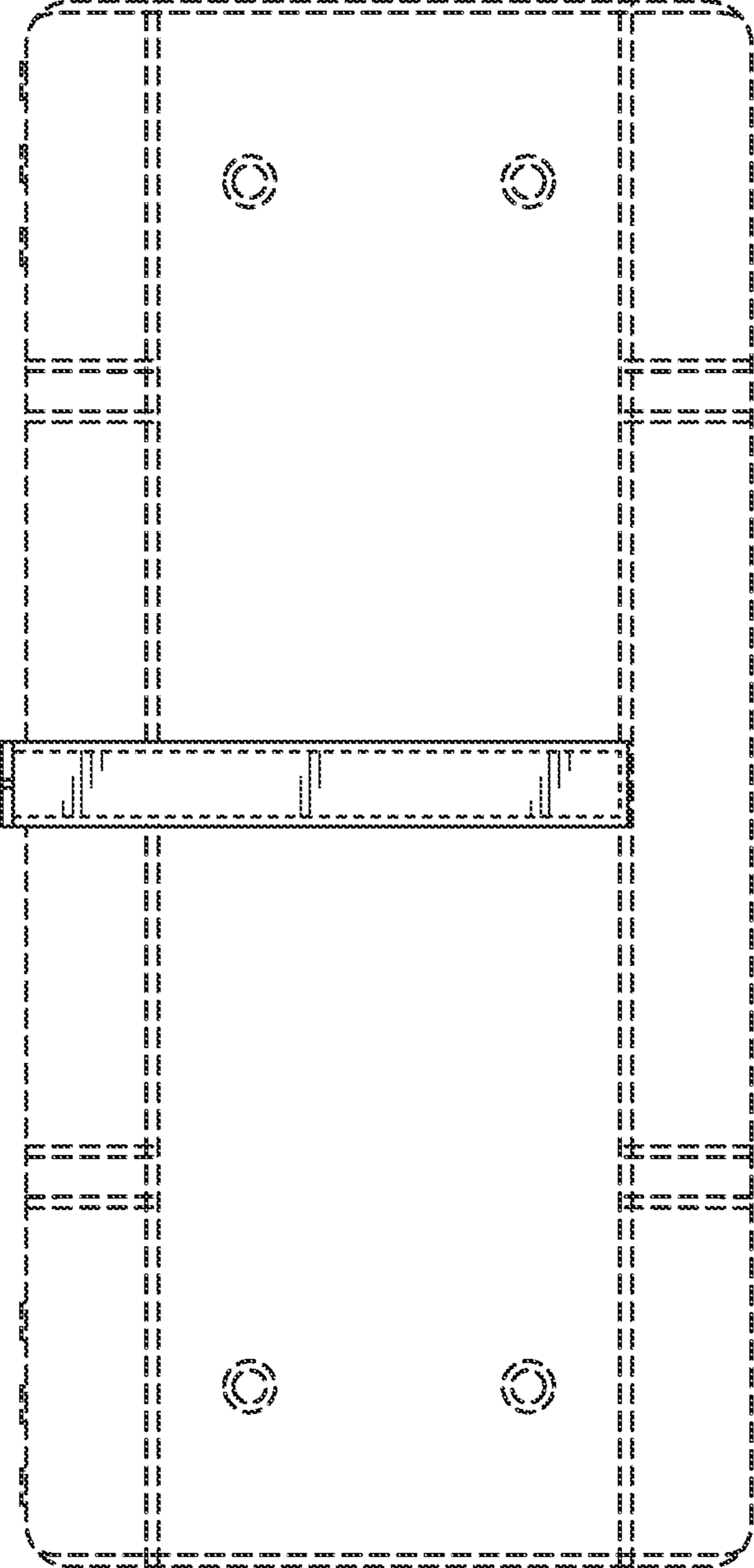


FIG. 9