



US00D940456S

(12) **United States Design Patent** (10) **Patent No.:** **US D940,456 S**
Waggoner et al. (45) **Date of Patent:** **** Jan. 11, 2022**

- (54) **CASE**
- (71) Applicant: **Cirkul, Inc.**, Sarasota, FL (US)
- (72) Inventors: **Garrett S. Waggoner**, Tampa, FL (US);
Andrew Gay, Bothell, WA (US);
Thomas A. Urbanik, Maynard, MA (US);
Cole Houston, Central Falls, RI (US);
Corey Jerolmon, Boston, MA (US)
- (73) Assignee: **Cirkul, Inc.**, Tampa, FL (US)
- (**) Term: **15 Years**
- (21) Appl. No.: **29/730,459**
- (22) Filed: **Apr. 3, 2020**
- (51) **LOC (13) Cl.** **03-01**
- (52) **U.S. Cl.**
USPC **D3/294**
- (58) **Field of Classification Search**
USPC D3/201, 207, 208, 212, 215, 218, 269,
D3/273, 290, 294, 298, 299, 302;
D7/641; D13/108; D14/223, 249, 509
CPC H04R 1/1025; H04R 2460/17; A45C
2013/025; A45C 2011/001; H02J 7/0044;
H02J 7/025
See application file for complete search history.

2018/0064224	A1 *	3/2018	Brzezinski	H02J 7/025
2020/0266640	A1 *	8/2020	Valenzuela	H02J 7/0044
2020/0304898	A1 *	9/2020	Cohen	H04R 1/1016
2021/0058687	A1 *	2/2021	Liu	H04R 1/02

FOREIGN PATENT DOCUMENTS

JP D1599188 * 3/2018

* cited by examiner

Primary Examiner — Kevin K Rudzinski

Assistant Examiner — Amber J Rabie

(74) *Attorney, Agent, or Firm* — Rollins IP; John F. Rollins

CLAIM

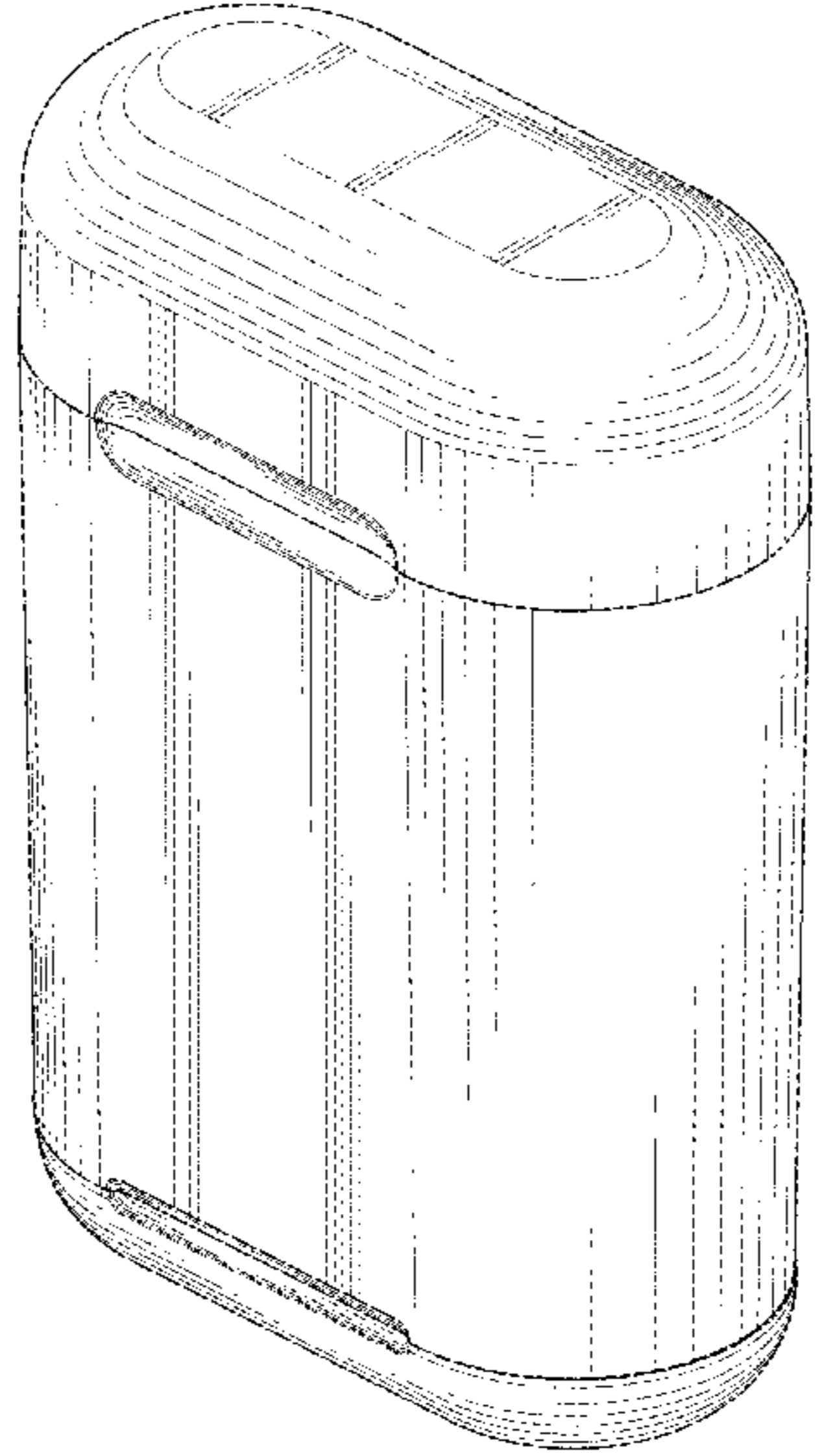
(57) The ornamental design for a case, as shown and described.

DESCRIPTION

FIG. 1 is a top front perspective view of a case in a closed position showing the claimed design;
 FIG. 2 is a front view thereof;
 FIG. 3 is a rear view of thereof;
 FIG. 4 is a right side view thereof;
 FIG. 5 is a left side view thereof;
 FIG. 6 is a top view thereof;
 FIG. 7 is a bottom view thereof;
 FIG. 8 is a cross-section taken along line FIG. 8-FIG. 8 in FIG. 6;
 FIG. 9 is a top front perspective view thereof in an open position;
 FIG. 10 is a front view thereof in an open position;
 FIG. 11 is a rear view thereof in an open position;
 FIG. 12 is a right side view thereof in an open position;
 FIG. 13 is a left side view thereof in an open position;
 FIG. 14 is a top view thereof in an open position; and,
 FIG. 15 is a bottom view thereof in an open position.
 The broken lines in the drawings are included to indicate the plane upon which a sectional view is taken.

1 Claim, 13 Drawing Sheets

- (56) **References Cited**
U.S. PATENT DOCUMENTS
228,598 A * 6/1880 Buckley 220/830
D306,094 S * 2/1990 Carmichael H02J 7/025
D3/205
D427,424 S * 7/2000 Conway H04R 1/1016
D3/203.5
D436,434 S * 1/2001 Conway H02J 7/0044
D3/203.5
D616,753 S * 6/2010 Beam H04R 1/02
D9/529
D649,658 S * 11/2011 Belfance D24/224



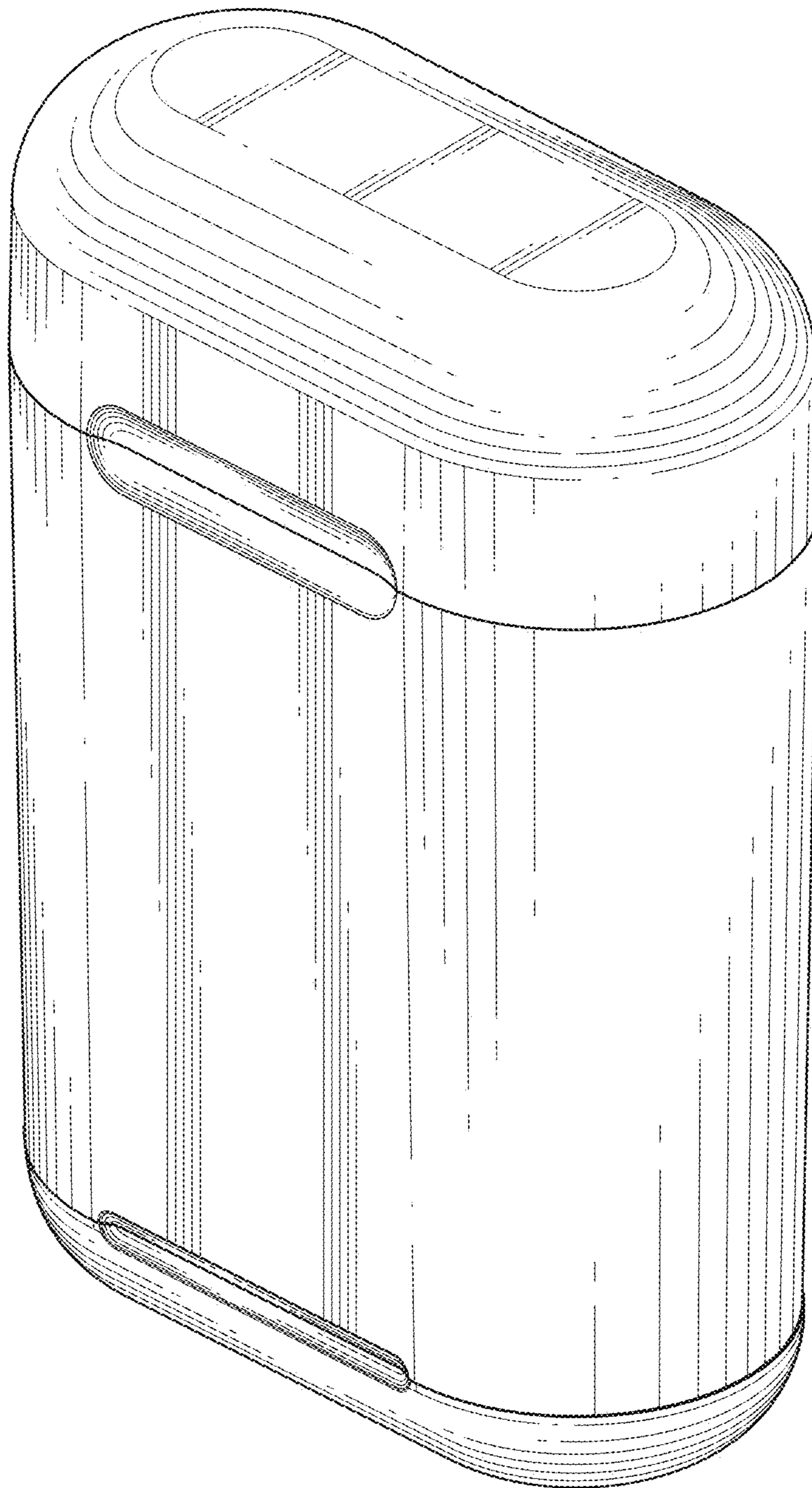


FIG. 1

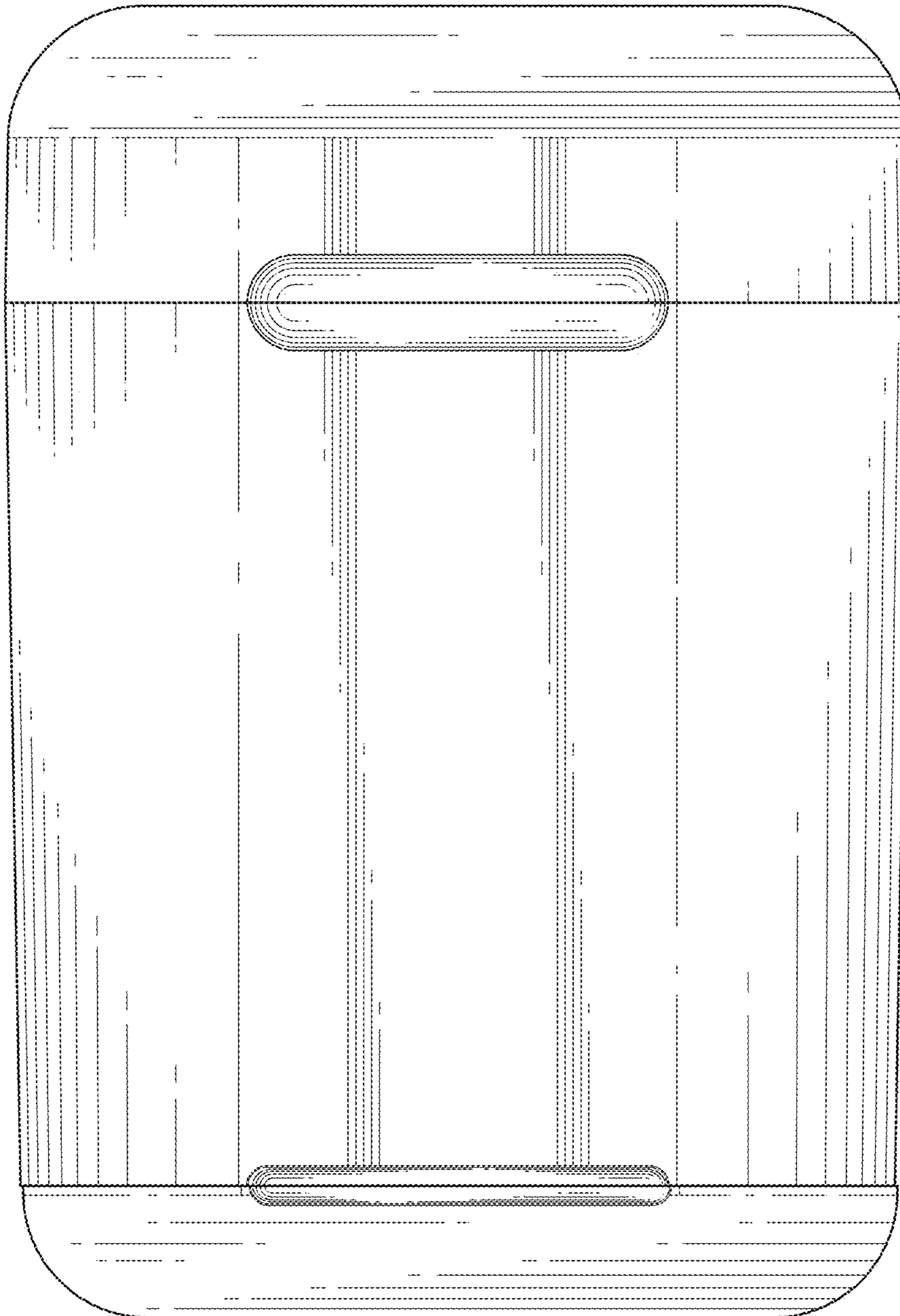


FIG. 2

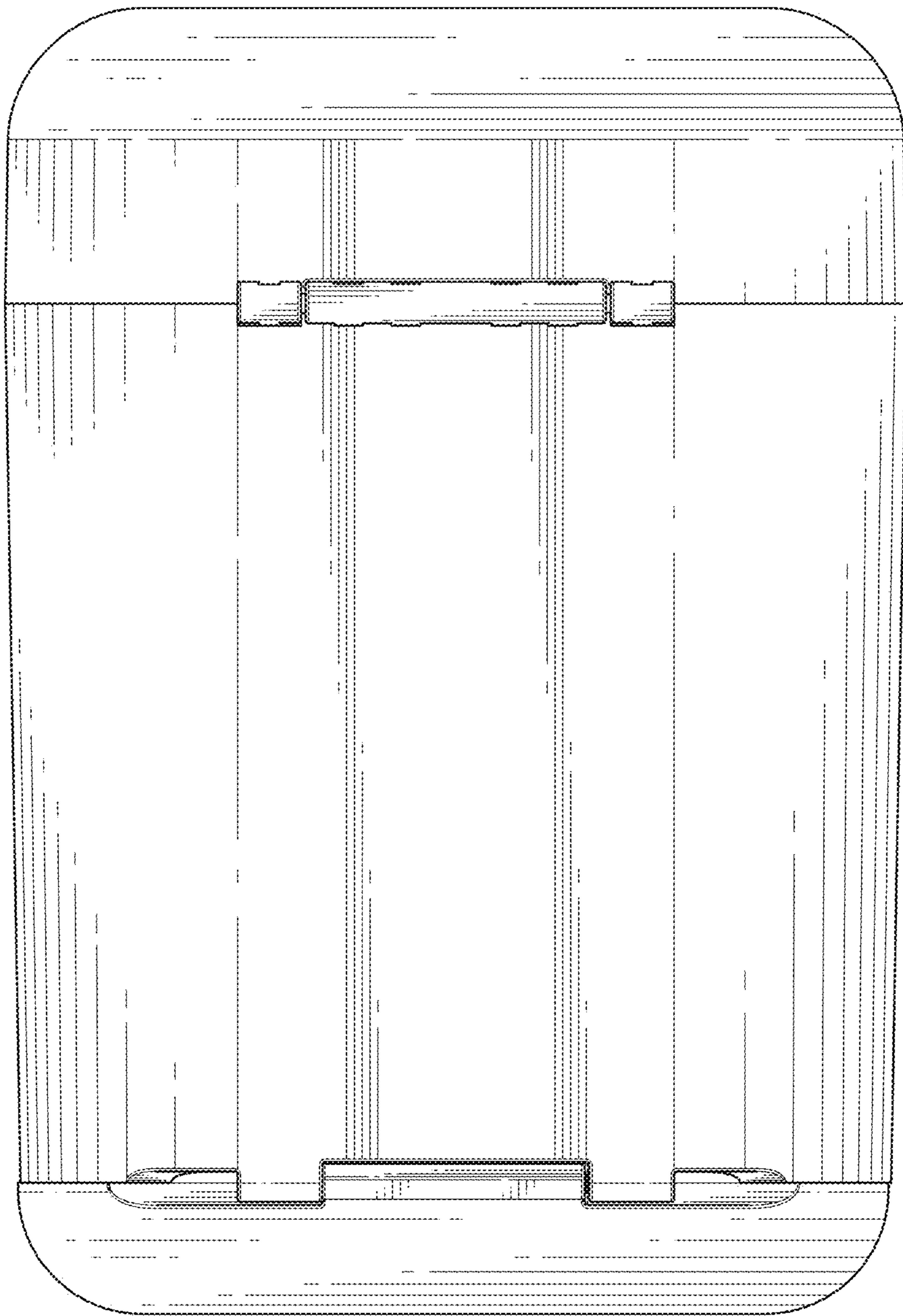


FIG. 3

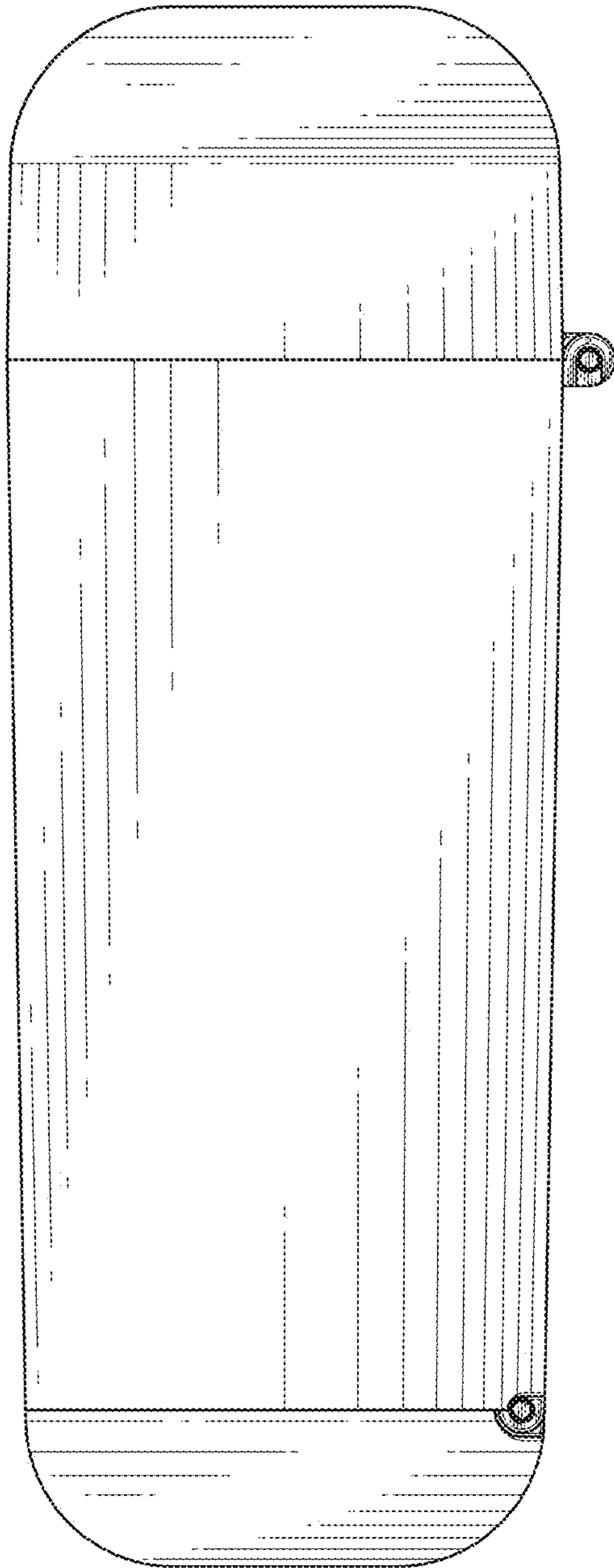


FIG. 4

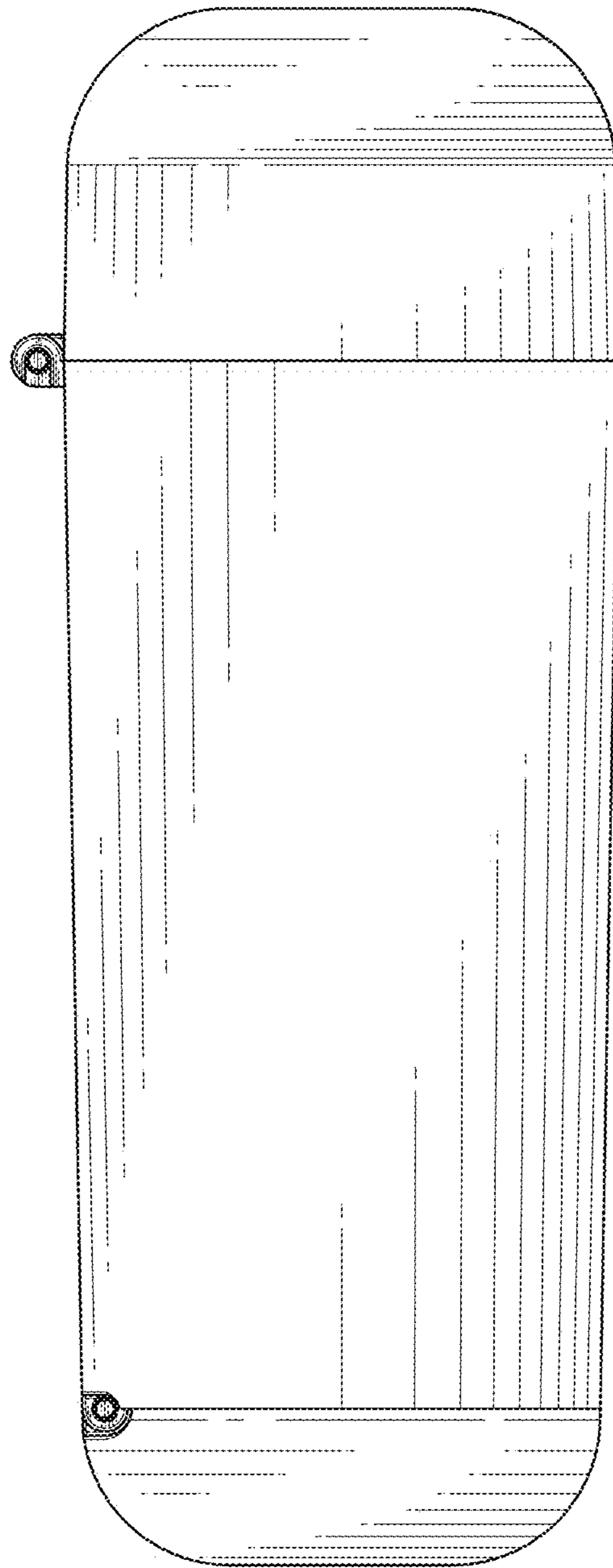


FIG. 5

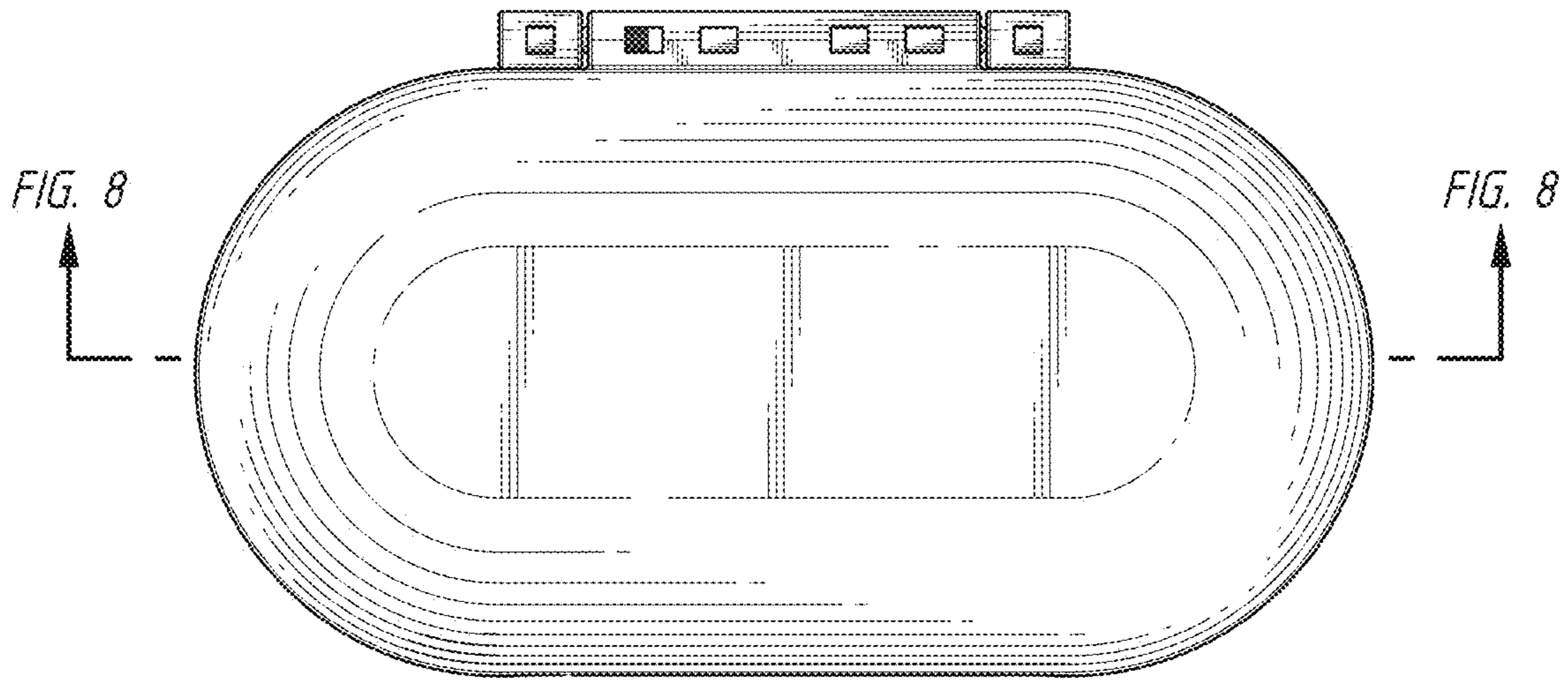


FIG. 6

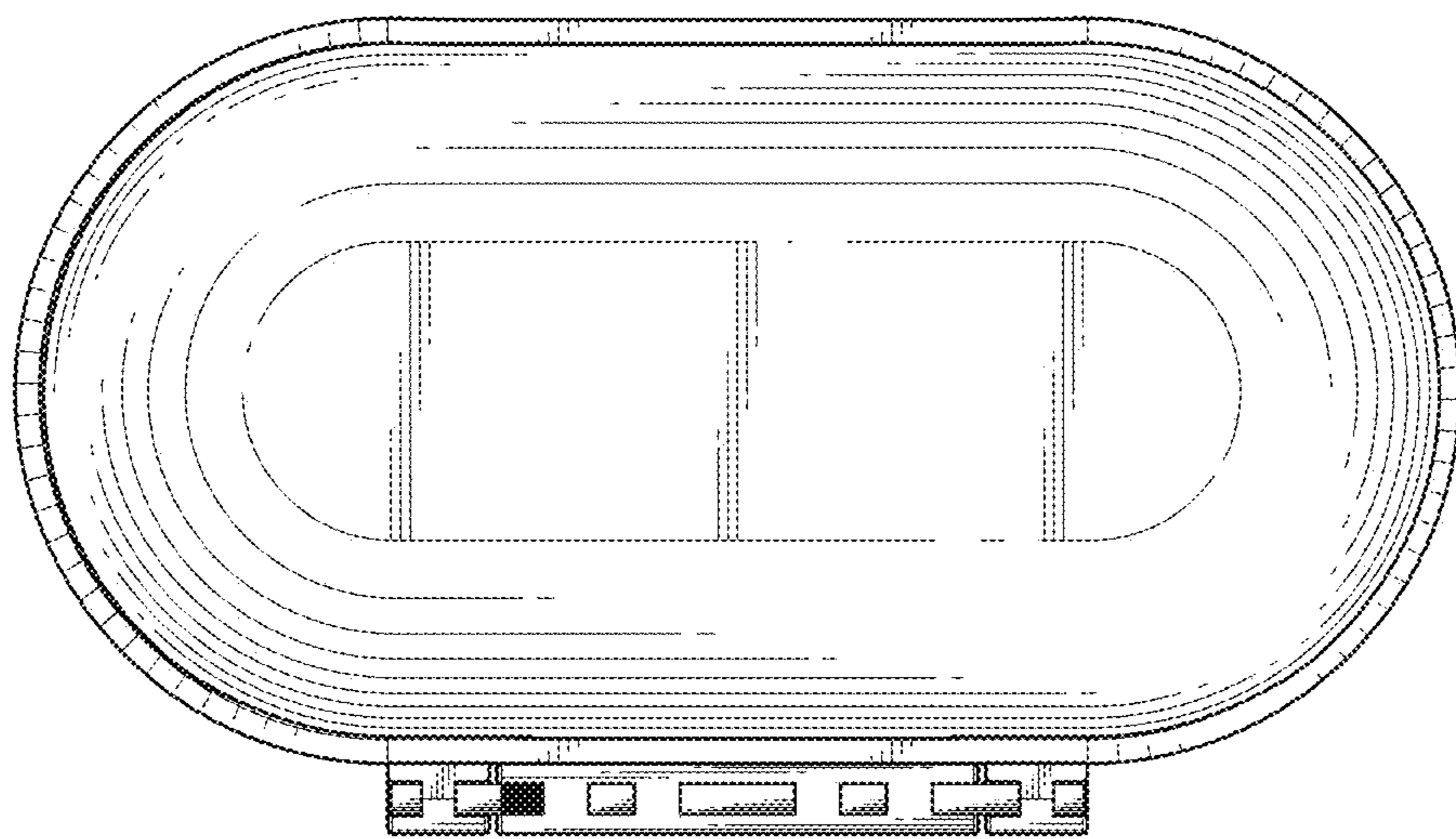


FIG. 7

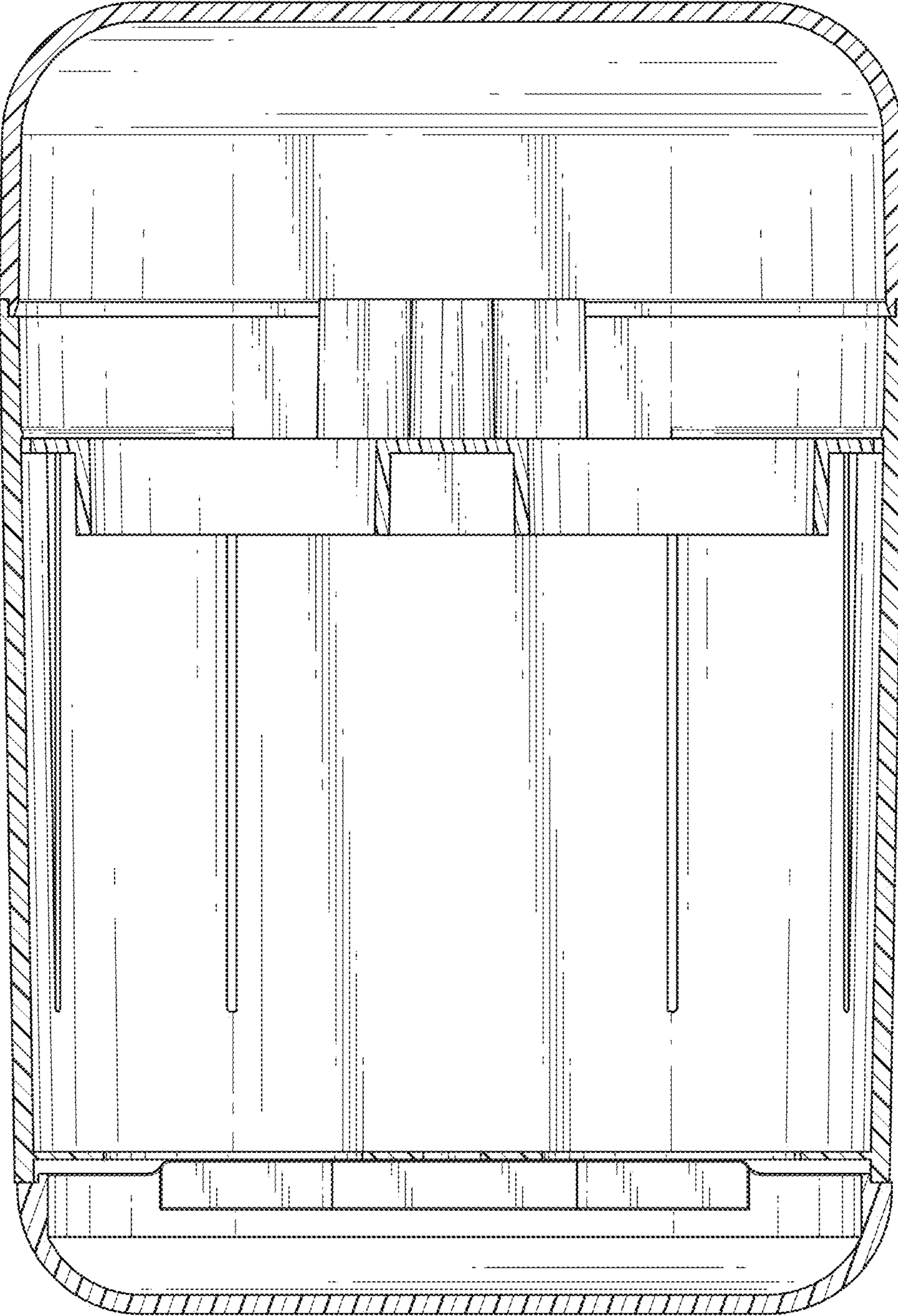


FIG. 8

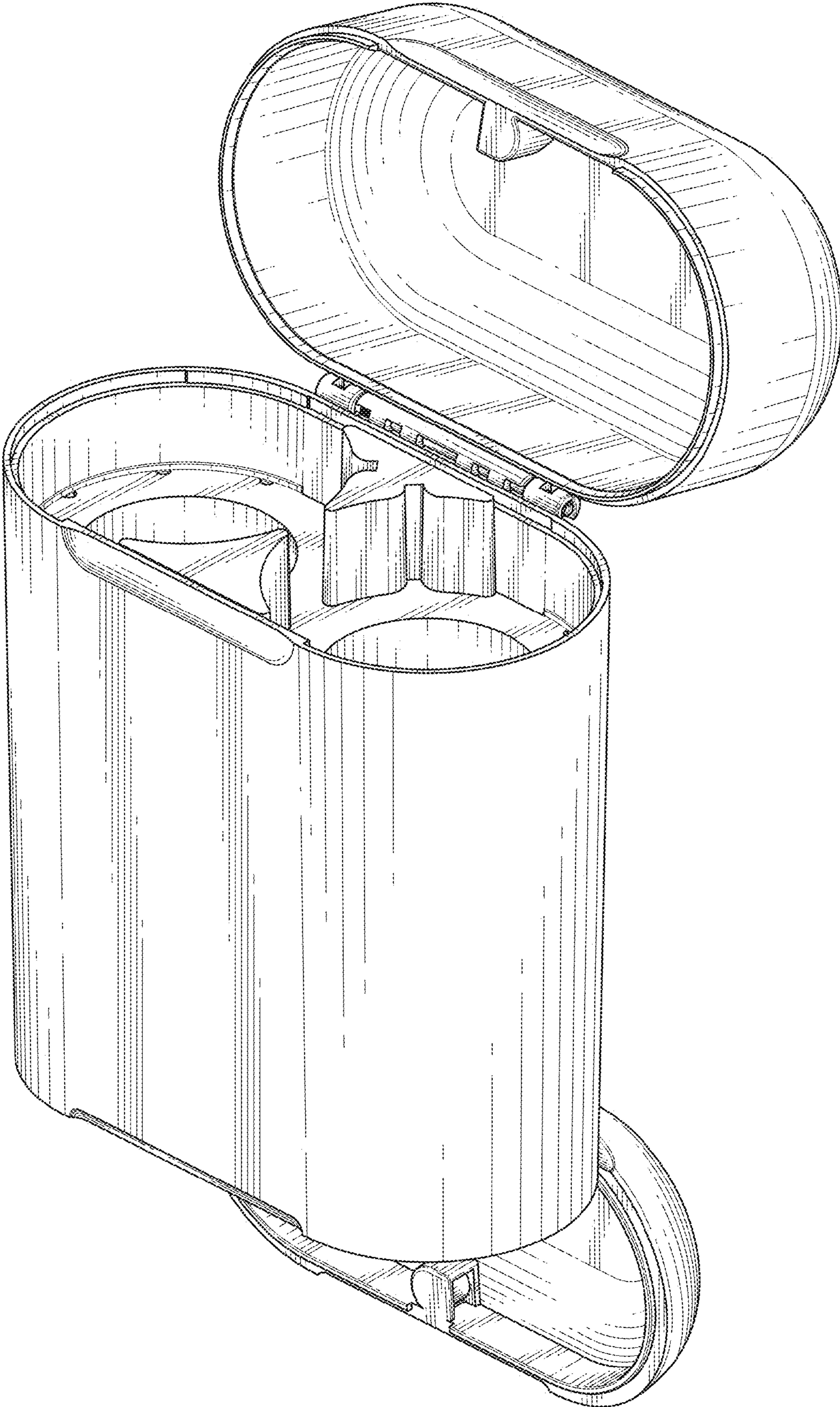


FIG. 9

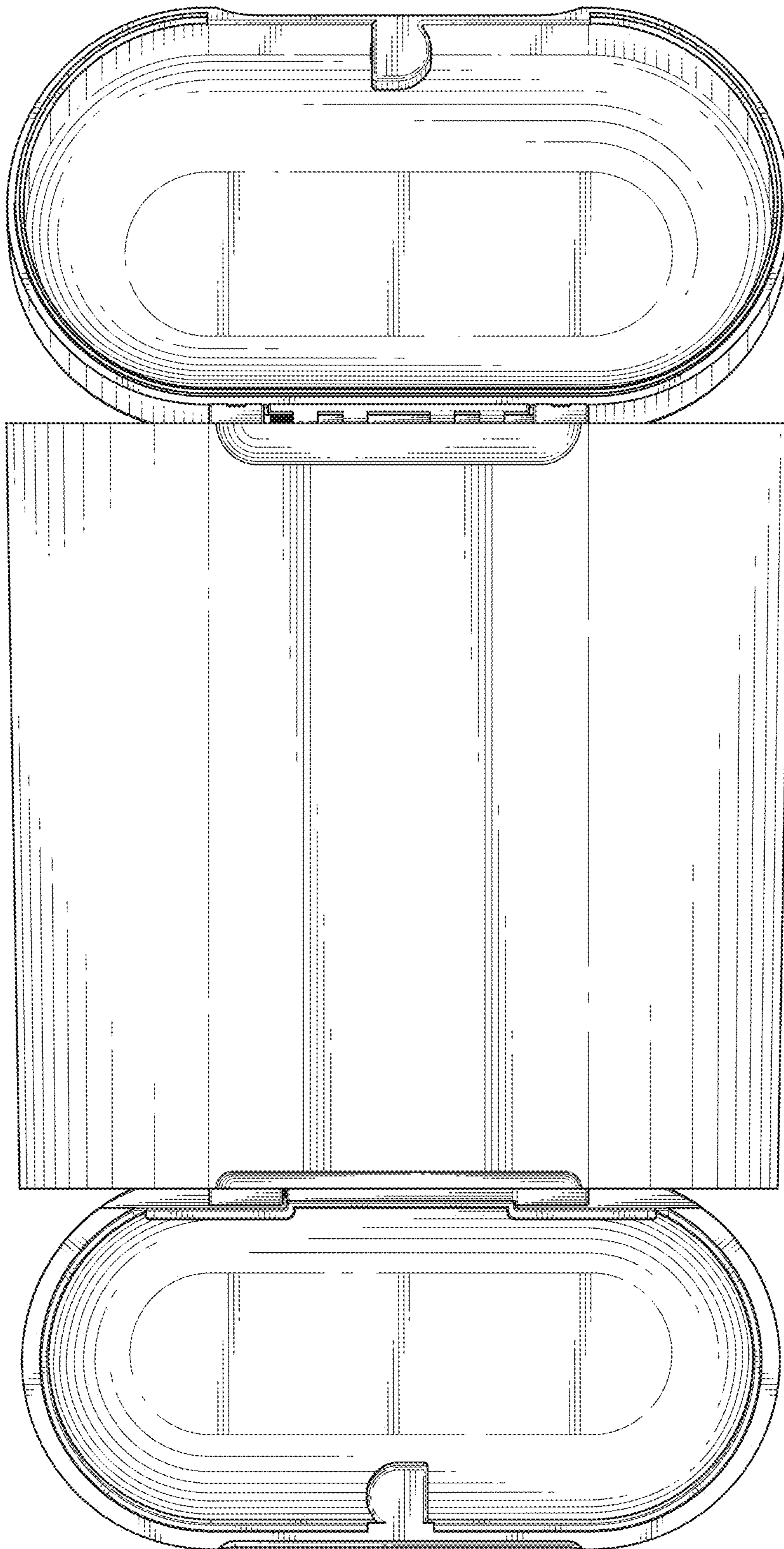


FIG. 10

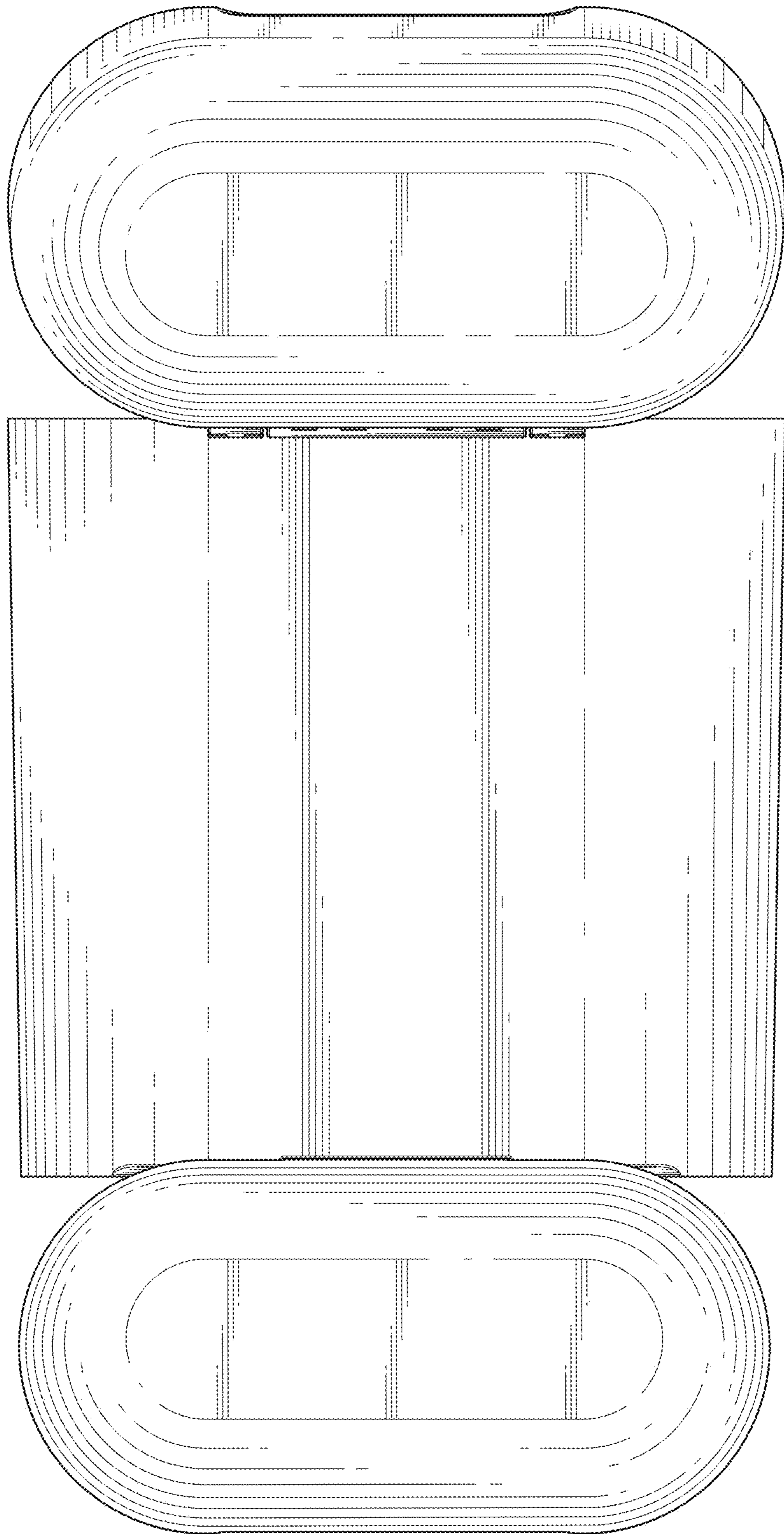


FIG. 11

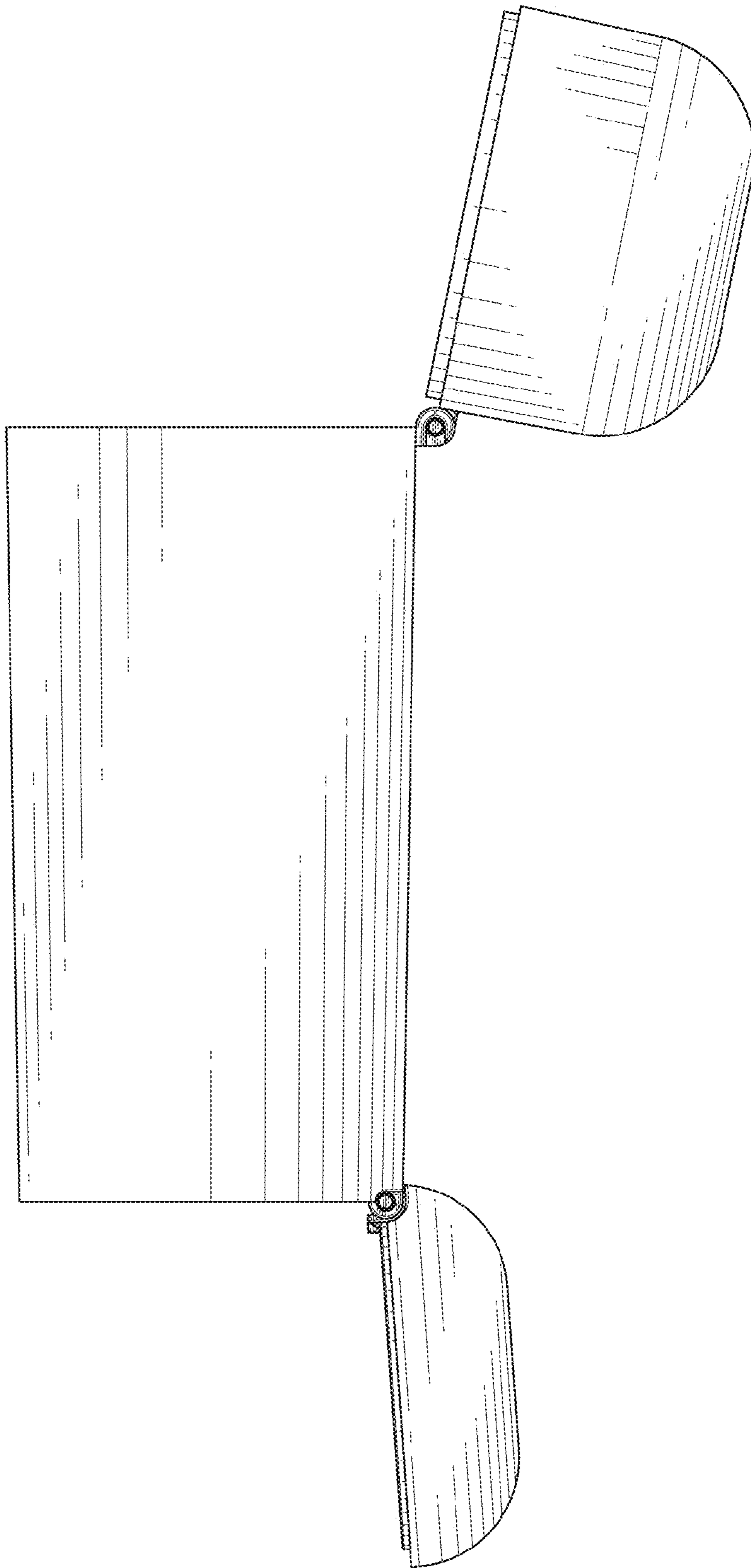


FIG. 12

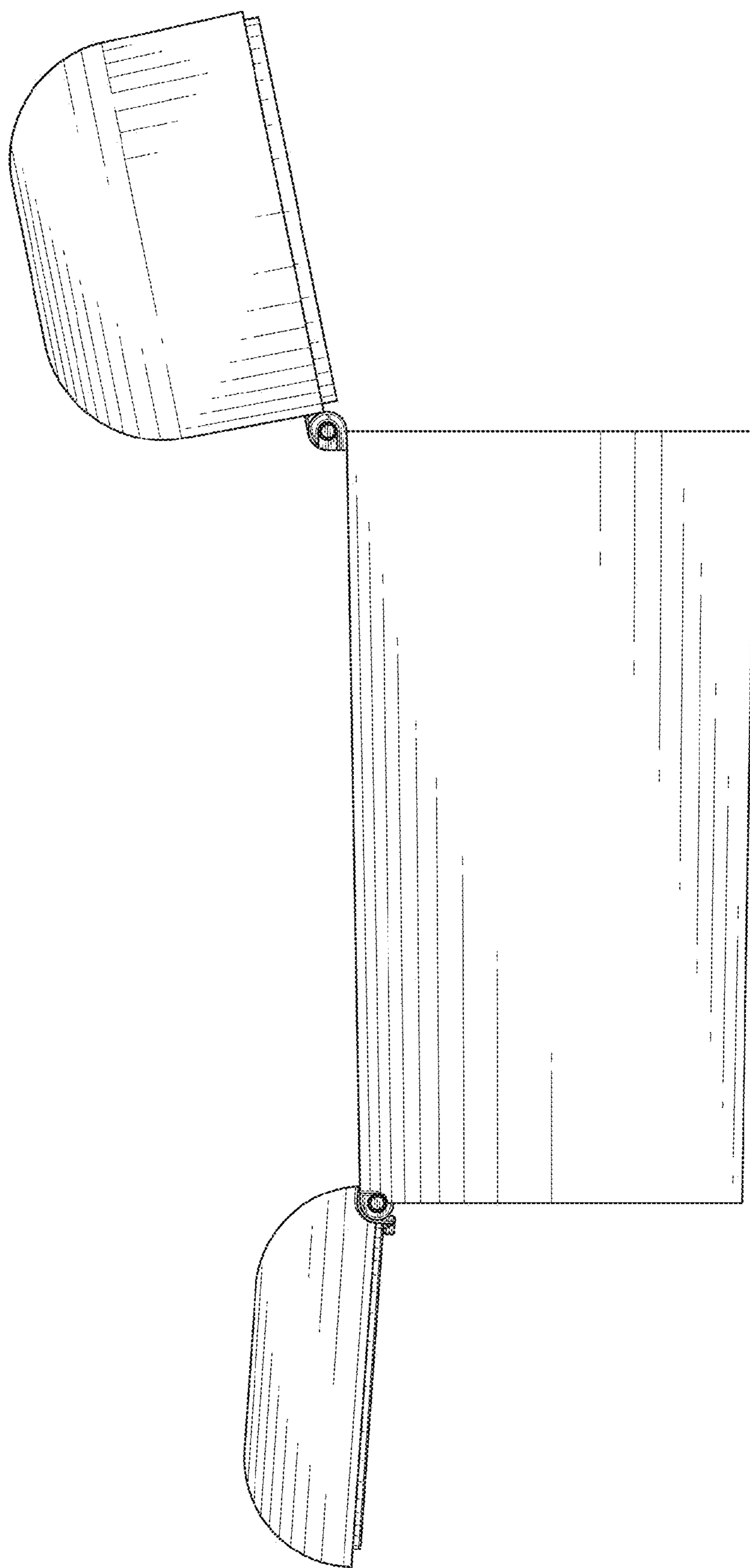


FIG. 13

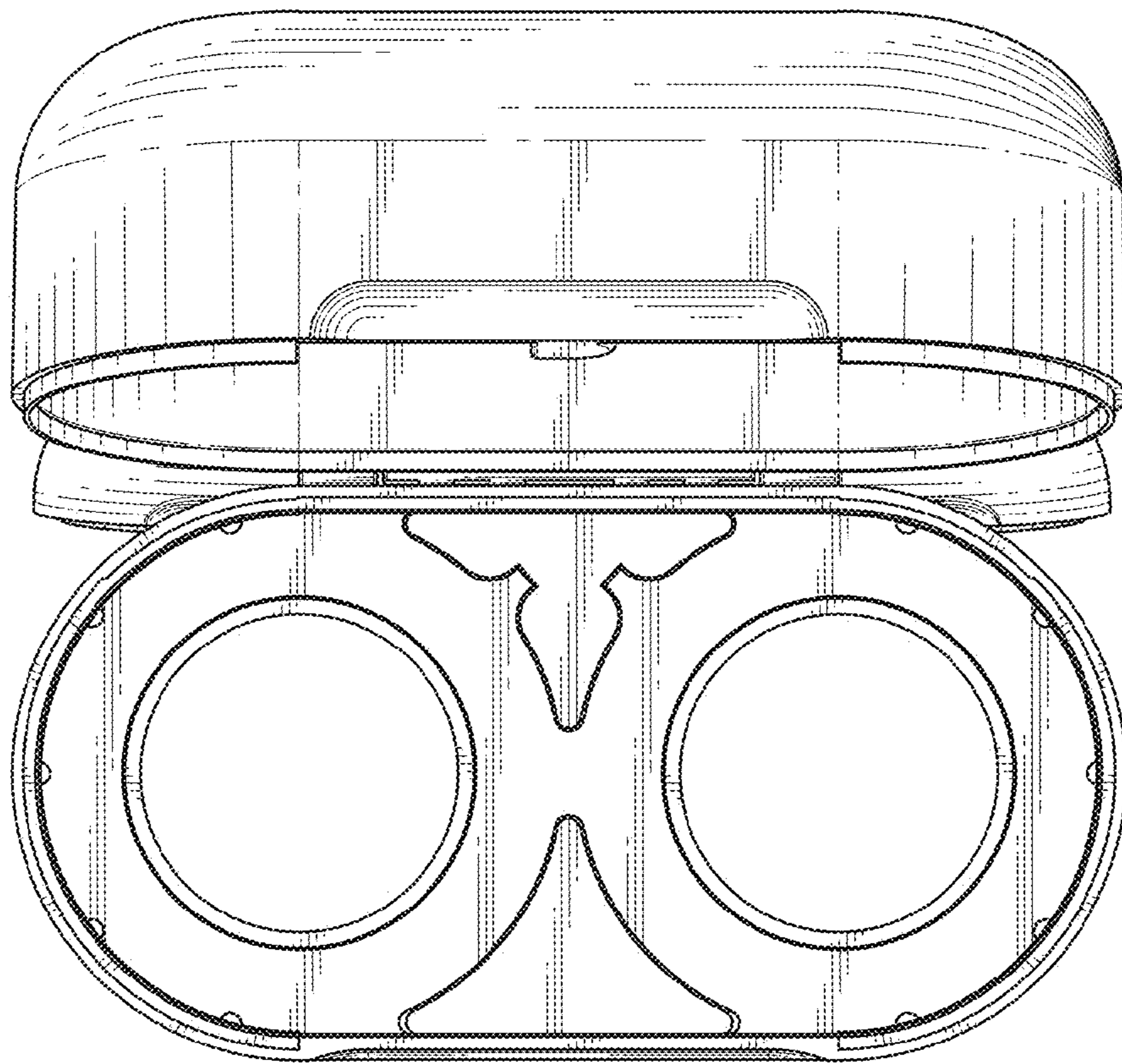


FIG. 14

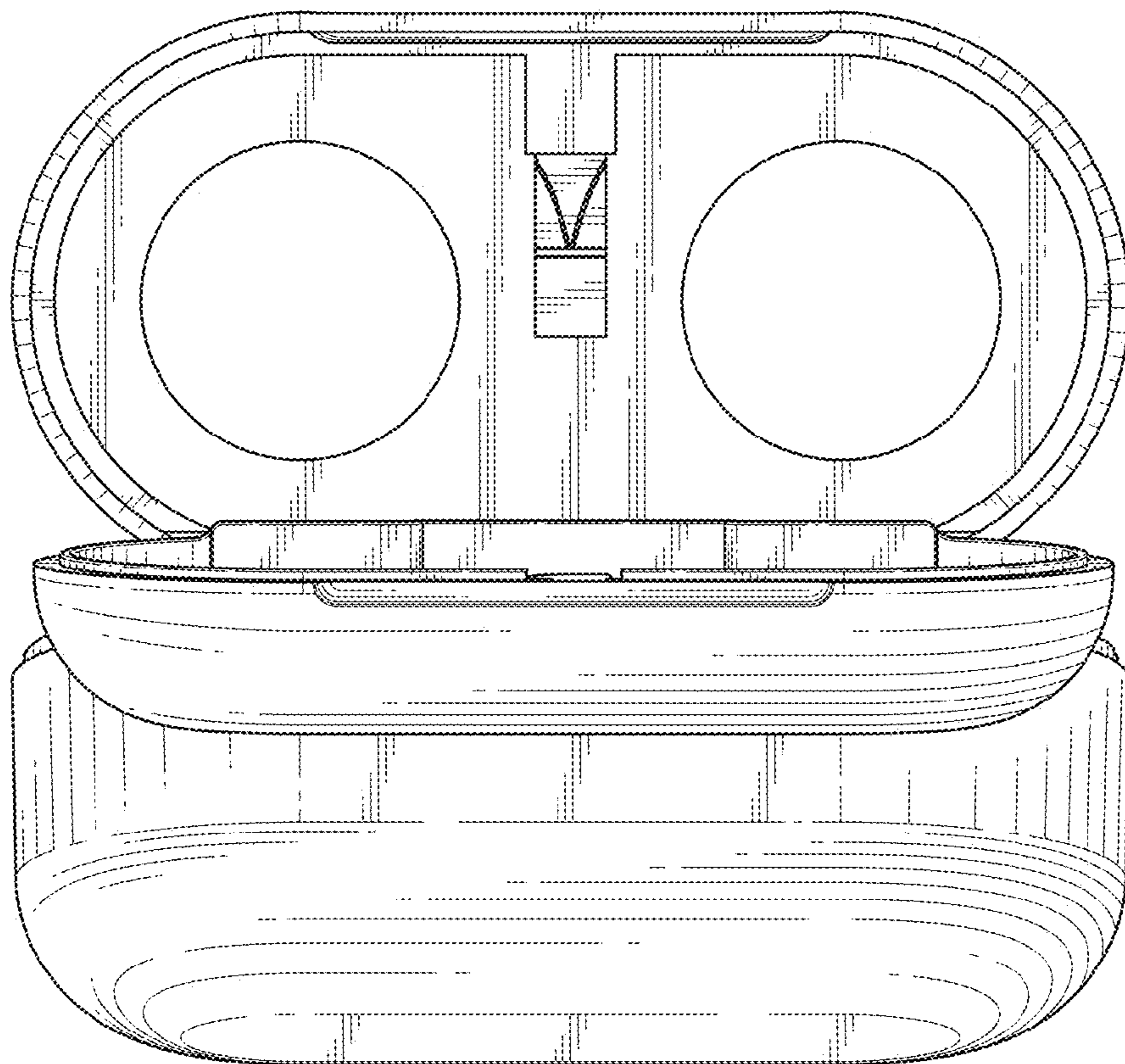


FIG. 15