



US00D940455S

(12) **United States Design Patent** (10) **Patent No.:** **US D940,455 S**  
**Ulfers et al.** (45) **Date of Patent:** **\*\* Jan. 11, 2022**

(54) **GYM BAG**

(71) Applicants: **Caleb Ulfers**, Omaha, NE (US);  
**Nicholas Chickinelli**, Omaha, NE (US);  
**Jacob Ulfers**, Omaha, NE (US)  
(72) Inventors: **Caleb Ulfers**, Omaha, NE (US);  
**Nicholas Chickinelli**, Omaha, NE (US);  
**Jacob Ulfers**, Omaha, NE (US)

(\*\*) Term: **15 Years**

(21) Appl. No.: **29/686,253**

(22) Filed: **Apr. 3, 2019**

(51) **LOC (13) Cl.** ..... **03-01**

(52) **U.S. Cl.**  
USPC ..... **D3/285; D3/287**

(58) **Field of Classification Search**  
USPC ..... D3/274, 276, 283, 289, 901, 243, 903,  
D3/285, 287  
CPC ... A45C 11/00; A45C 13/02; A45C 2003/008;  
A45C 2003/007  
See application file for complete search history.

(56) **References Cited**

**U.S. PATENT DOCUMENTS**

D285,748 S *	9/1986	Feinberg	.....	190/103
D575,059 S *	8/2008	Cappiello	.....	D3/283
D620,708 S *	8/2010	Sanz	.....	D3/276
D732,824 S *	6/2015	Tzortzis	.....	D3/288
D796,841 S *	9/2017	Schartle	.....	D3/285
D883,666 S *	5/2020	Kim	.....	D3/276
D888,425 S *	6/2020	Wang	.....	D3/287
D897,102 S *	9/2020	Seiders	.....	D3/289
D911,710 S *	3/2021	Karalis	.....	D3/289
2016/0206061 A1 *	7/2016	Ford	.....	A45C 13/30

**OTHER PUBLICATIONS**

Facebook @Athletic Haven, "photo", posted May 31, 2019. (<https://www.facebook.com/myhavengear/photos/a.2539998186063231/2539998162729900/?type=3&theater>) (Year: 2019).\*  
Spy, "Toe Tows: The 5 Best Gym Bags With a Built-In Shoe Compartment", Published Apr. 30, 2019. (<https://spy.com/articles/gear/style/best-gym-bags-shoe-compartment-wet-pocket-169499/>) (Year: 2019).\*

\* cited by examiner

*Primary Examiner* — April Rivas

(74) *Attorney, Agent, or Firm* — Gearhart Law LLC;  
David Postolski, Esq.

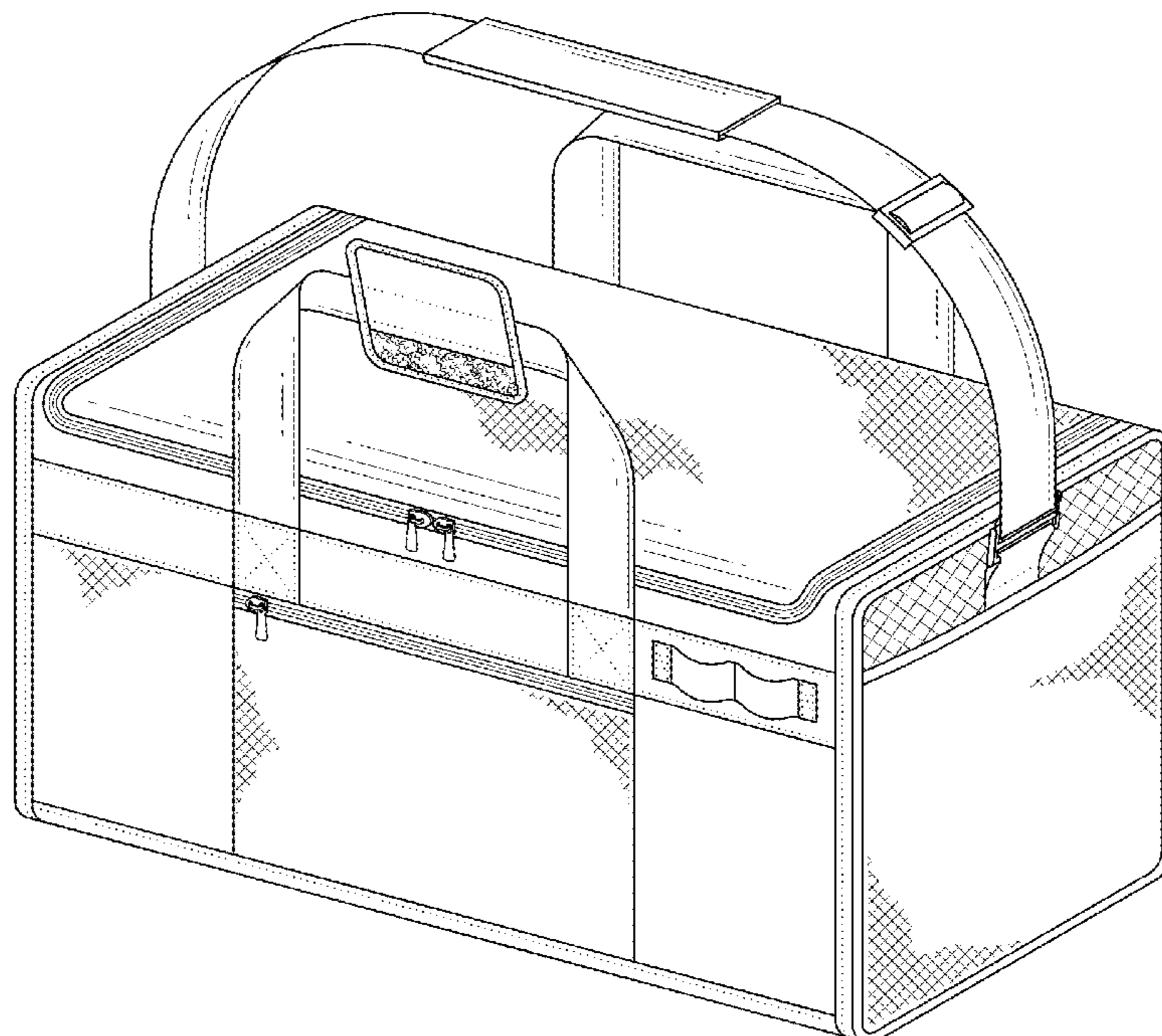
(57) **CLAIM**

The ornamental design for a gym bag, as shown and described.

**DESCRIPTION**

FIG. 1 is a 3/4 perspective view of a gym bag.  
FIG. 2 is a front elevational view of FIG. 1.  
FIG. 3 is a rear elevational view of FIG. 1.  
FIG. 4 is a left side elevational view of FIG. 1.  
FIG. 5 is a right side elevational view of FIG. 1.  
FIG. 6 is a top plan view of FIG. 1.  
FIG. 7 is a bottom plan view of FIG. 1.  
FIG. 8 is a top open perspective view of FIG. 1.  
FIG. 9 is a top open plan view of FIG. 1; and,  
FIG. 10 is a cross sectional view taken along the lines indicated in FIG. 6.  
The dotted lines illustrate portions of the gym bag. The dashed lines illustrate environment. None of the broken lines form part of the claimed design.

**1 Claim, 10 Drawing Sheets**



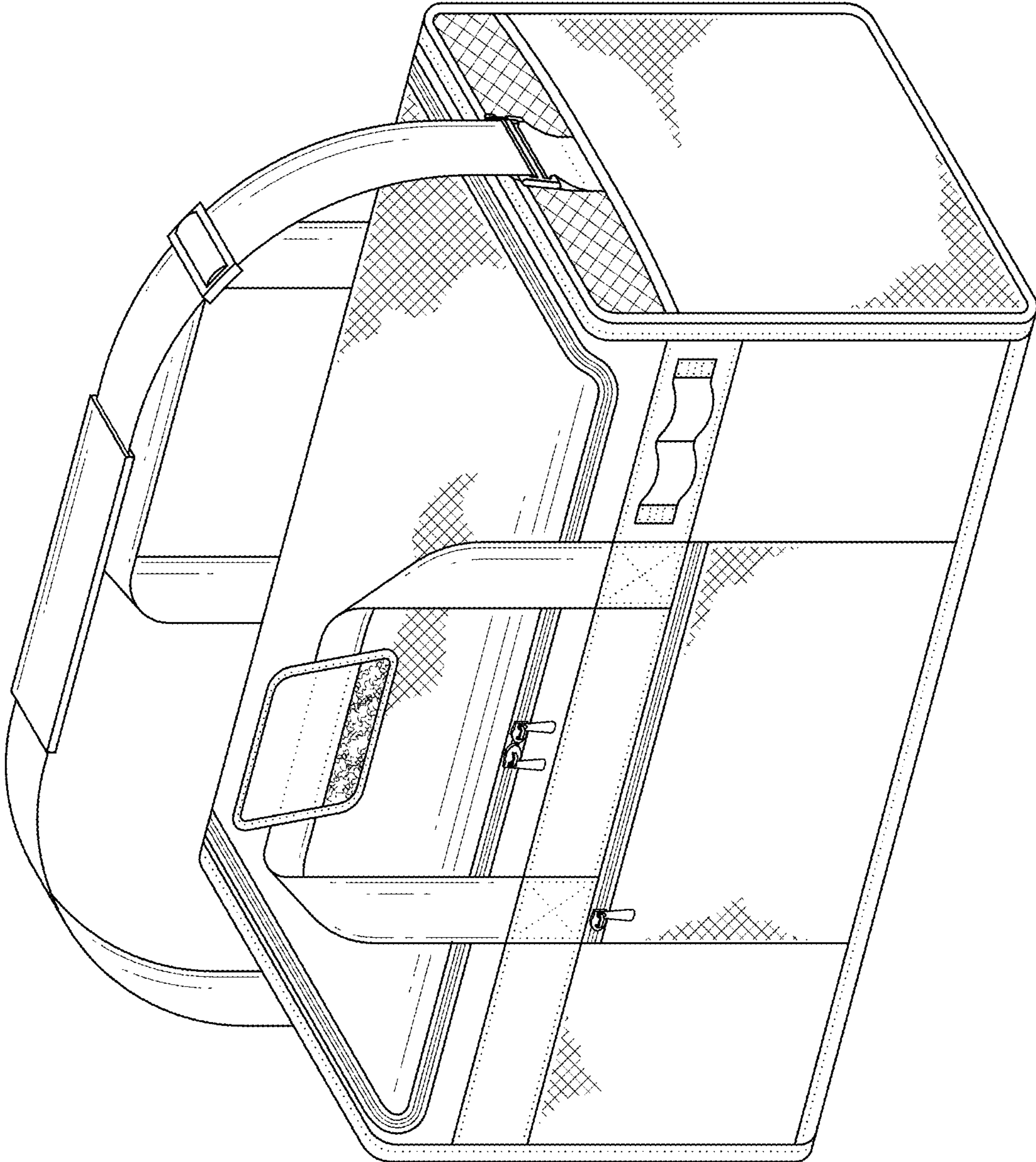


FIG.1

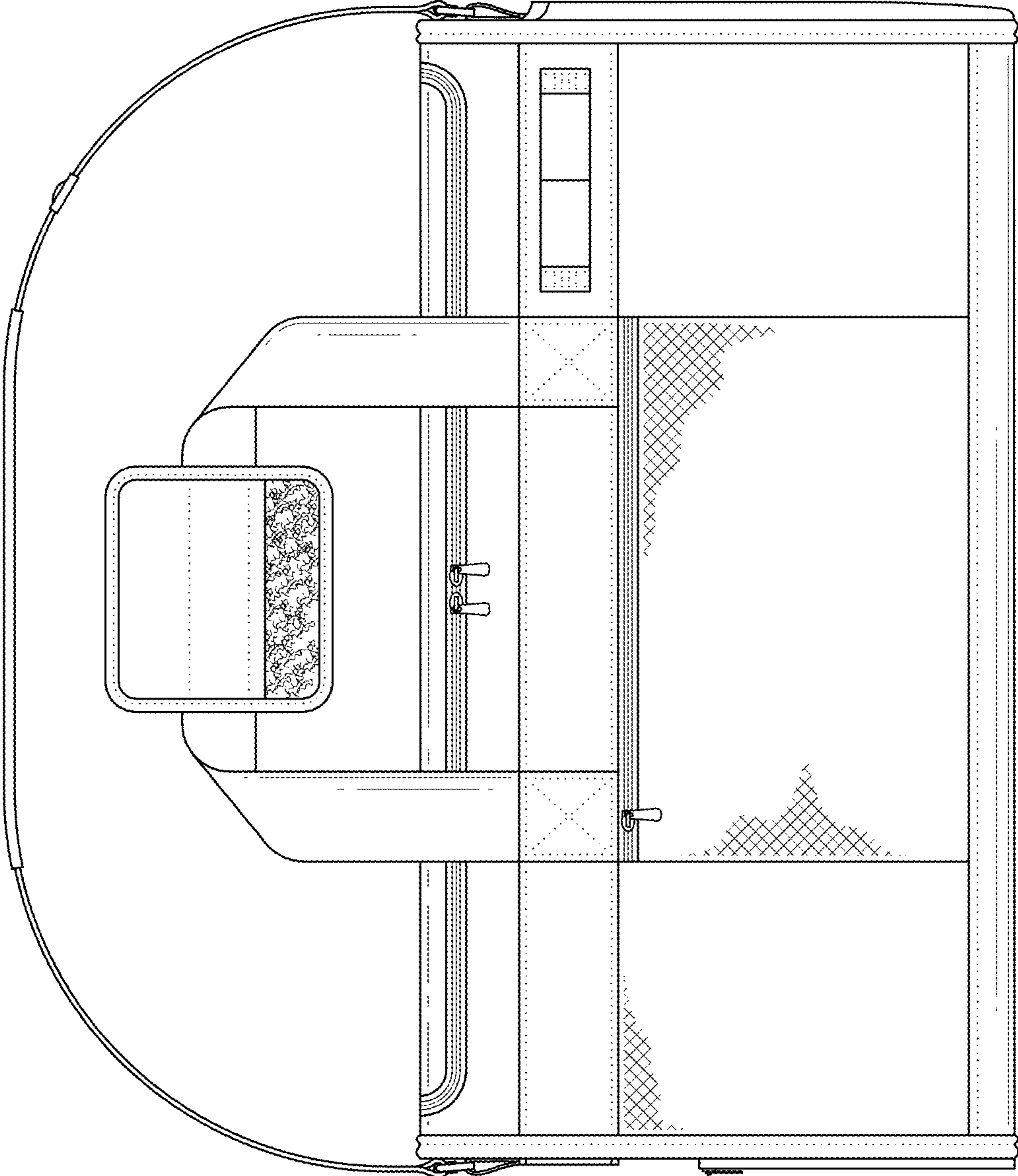


FIG.2

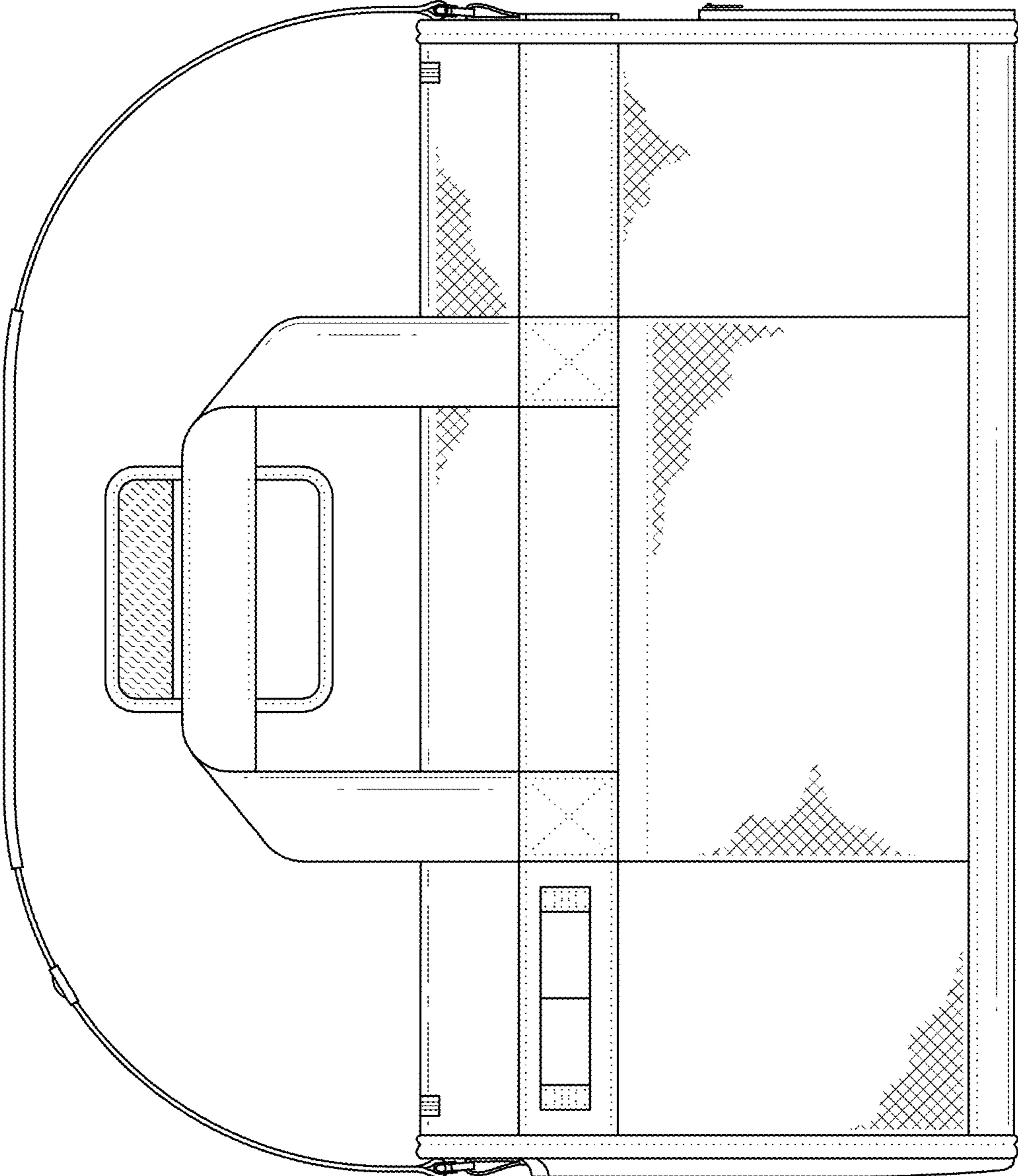


FIG. 3

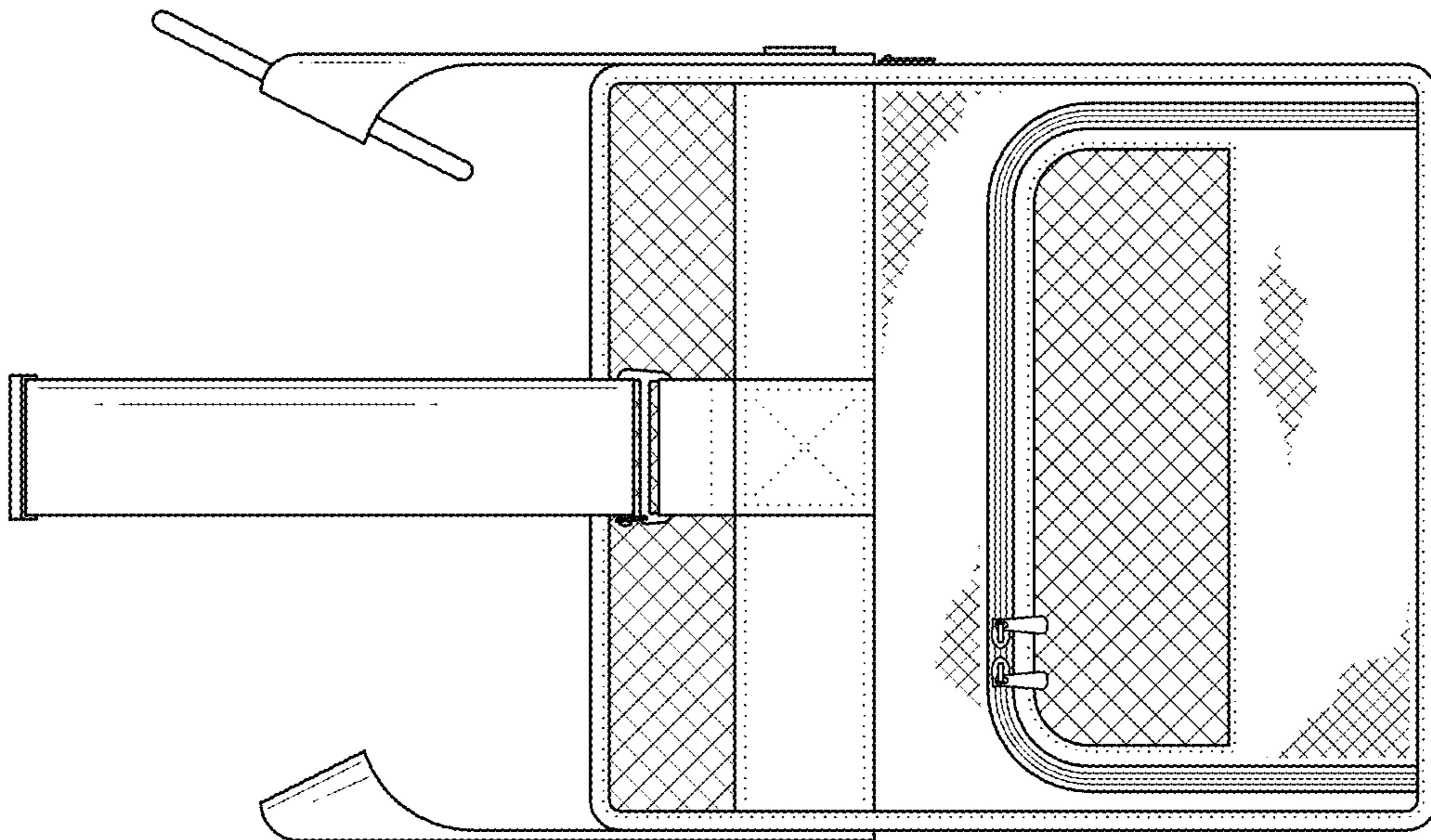


FIG.4

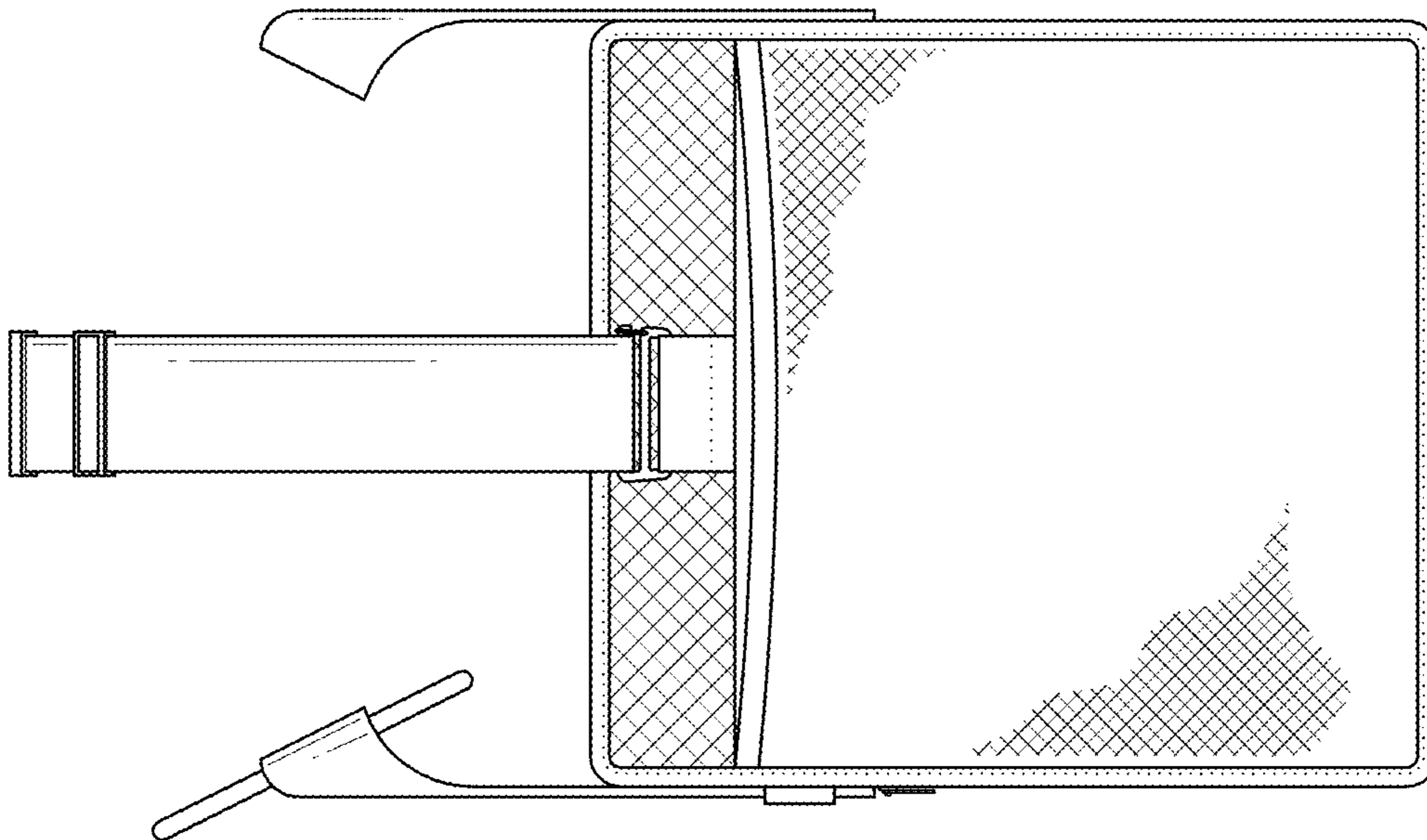


FIG. 5

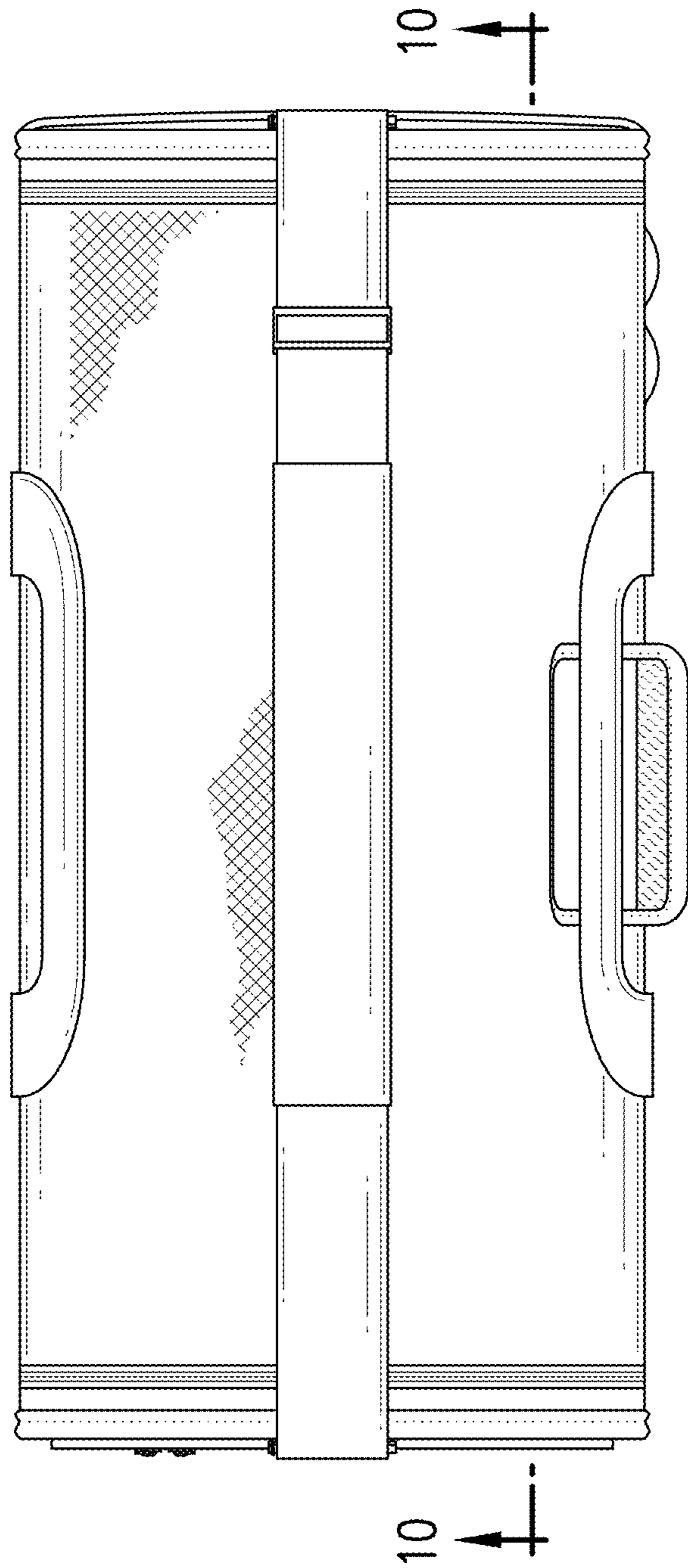


FIG. 6

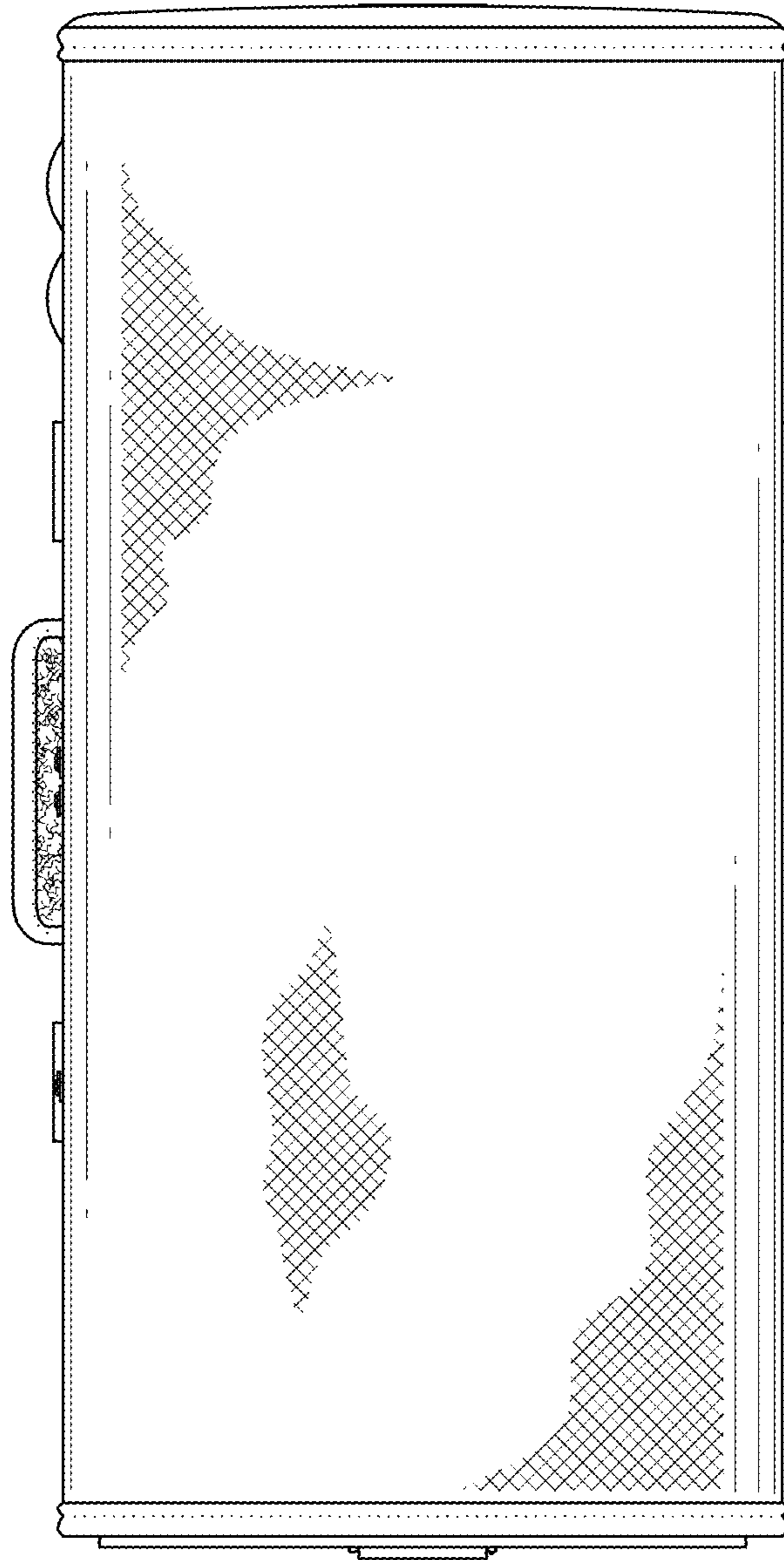


FIG. 7



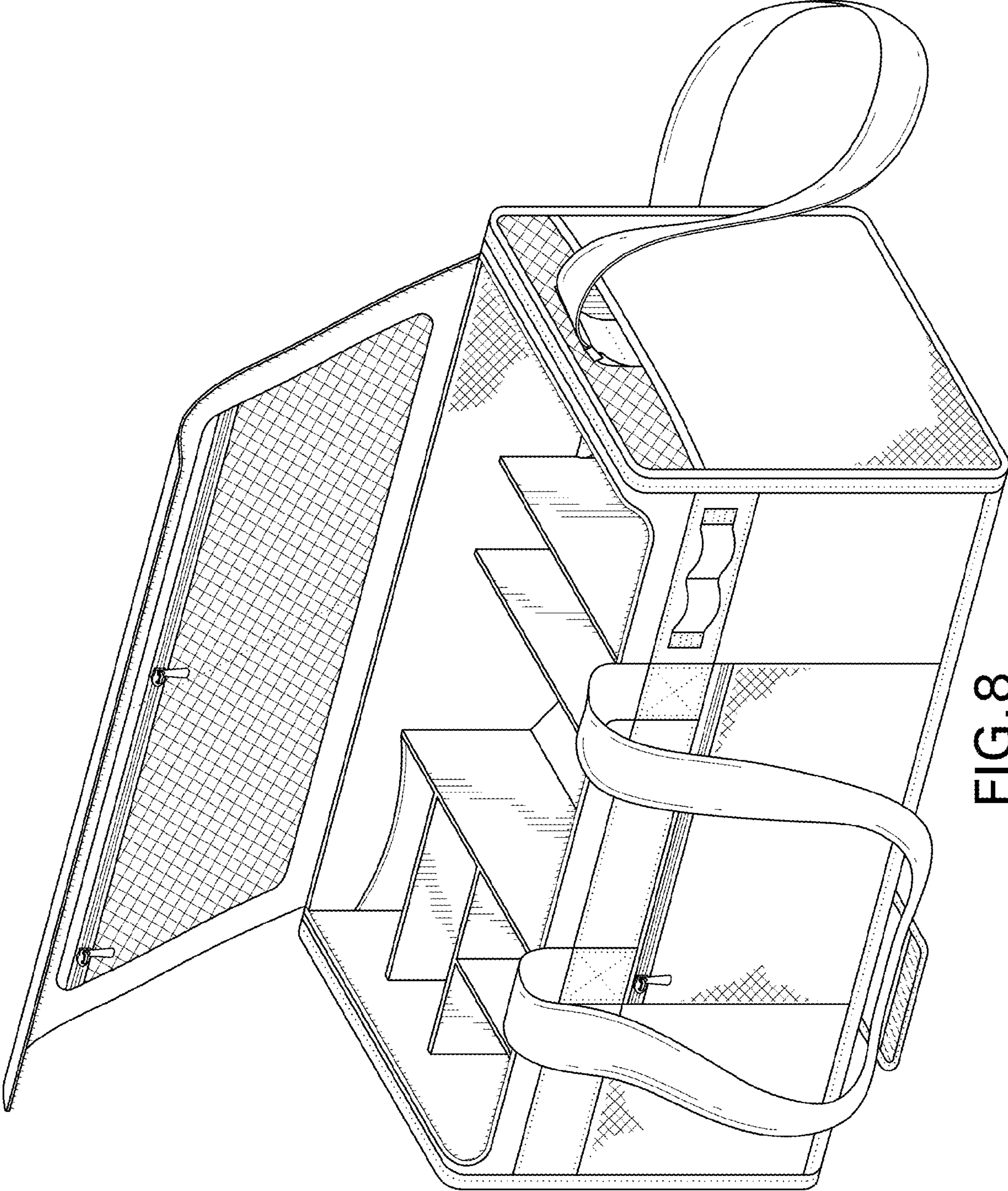


FIG. 8

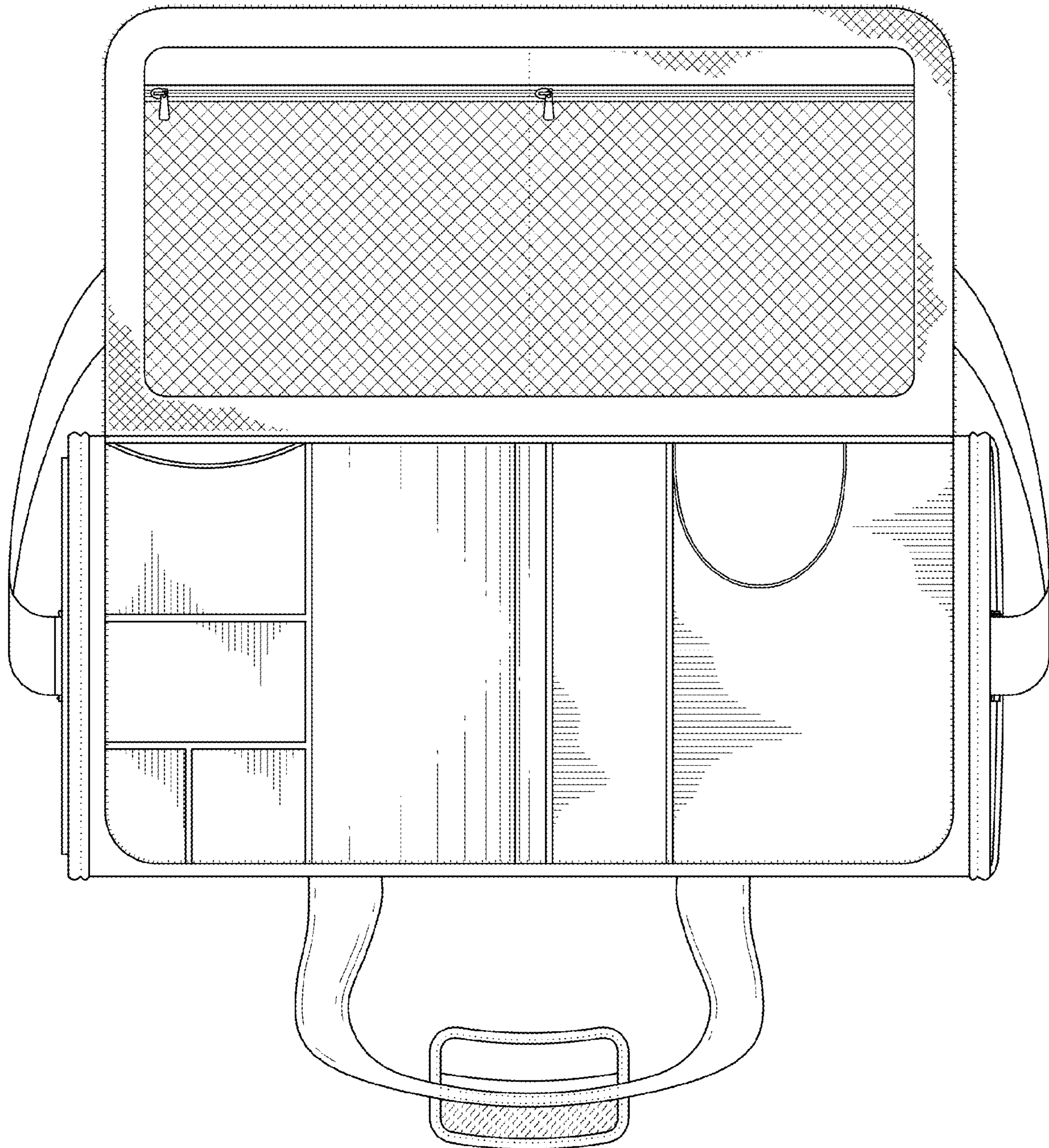


FIG. 9

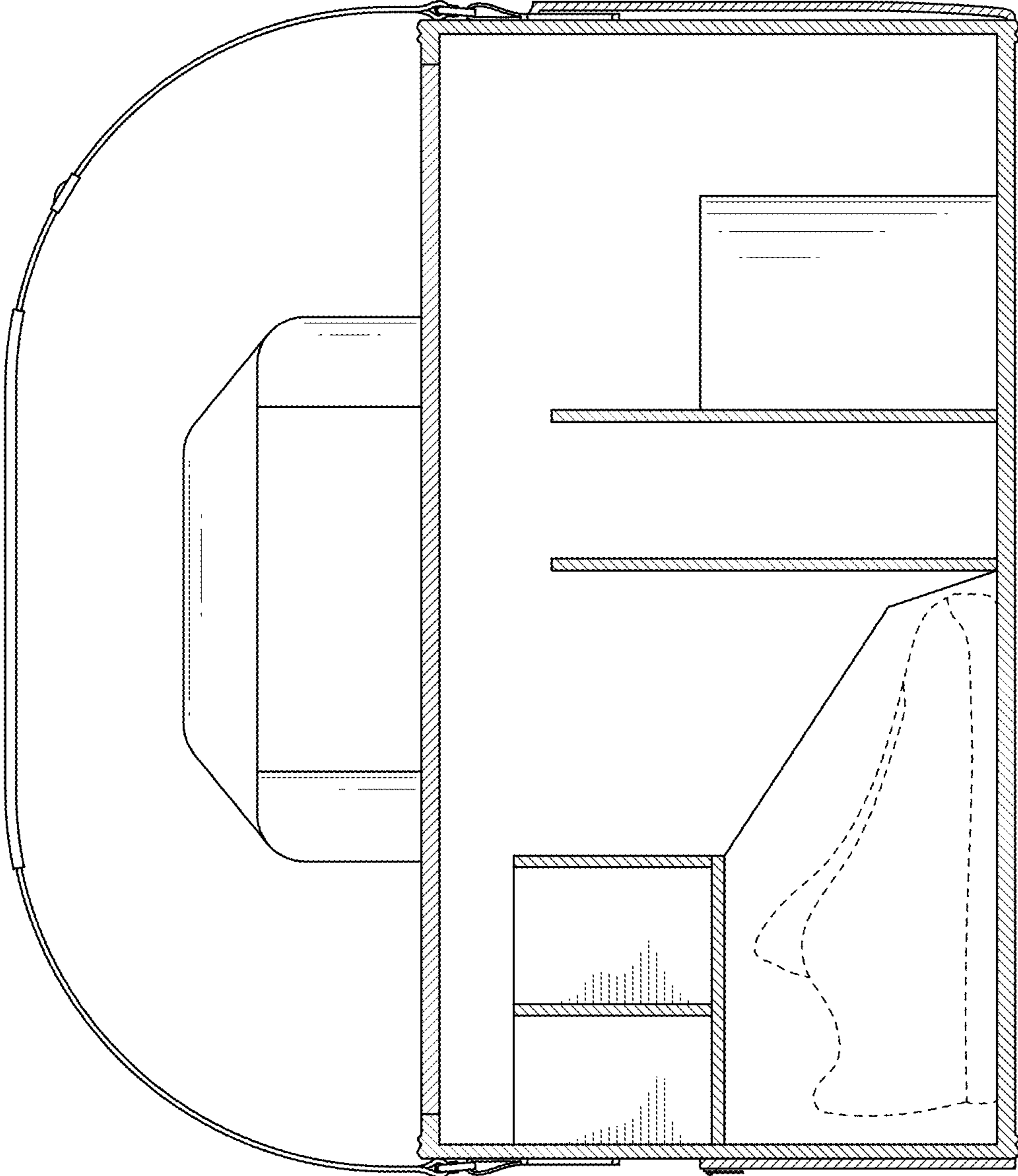


FIG. 10