

US00D940454S

(12) **United States Design Patent**  
**Wang**

(10) **Patent No.:** **US D940,454 S**

(45) **Date of Patent:** **\*\* Jan. 11, 2022**

(54) **FOLDING GLASSES CASE**

(71) Applicant: **Boning Wang**, Zhejiang Province (CN)

(72) Inventor: **Boning Wang**, Zhejiang Province (CN)

(\*\*) Term: **15 Years**

(21) Appl. No.: **29/759,179**

(22) Filed: **Nov. 20, 2020**

(30) **Foreign Application Priority Data**

Jun. 1, 2020 (CN) ..... 202030266288.3

(51) **LOC (13) Cl.** ..... **03-01**

(52) **U.S. Cl.**  
USPC ..... **D3/265; D3/263; D3/266**

(58) **Field of Classification Search**  
USPC ..... D3/207, 215, 219, 229, 263-266, 301;  
D12/417; D16/330, 339; 24/3.3, 3.7,  
24/3.8, 563; 206/5, 5.1, 6; 248/902;  
351/112, 155  
CPC ..... A45C 11/04; A45C 11/005; A47F 7/02;  
A47F 7/021  
See application file for complete search history.

(56) **References Cited**

**U.S. PATENT DOCUMENTS**

D116,977 S \* 10/1939 Bellau ..... D3/301  
D121,595 S \* 7/1940 Menn ..... D3/275  
4,574,944 A \* 3/1986 Gregory ..... A45C 13/34  
132/316  
5,711,417 A \* 1/1998 Tilve ..... A45C 11/04  
206/6  
5,881,877 A \* 3/1999 Adams ..... A45C 11/04  
206/373  
D410,492 S \* 6/1999 Ritterling ..... D19/26  
5,950,814 A \* 9/1999 Lindberg ..... A45C 11/24  
206/6  
6,164,442 A \* 12/2000 Stravitz ..... A45C 3/02  
206/233

D452,612 S \* 1/2002 Alexandroff ..... D3/263  
D454,493 S \* 3/2002 Chung ..... D3/263  
D489,900 S \* 5/2004 Carter ..... D3/301  
6,923,327 B1 \* 8/2005 Cohen ..... B65D 25/105  
206/765  
D540,035 S \* 4/2007 Gerard ..... D3/263  
D546,060 S \* 7/2007 Fai Au ..... D3/265  
D552,346 S \* 10/2007 Schoenmueller ..... D3/265  
D552,348 S \* 10/2007 Martin ..... D3/265  
D555,900 S \* 11/2007 Pippin ..... D3/265  
D603,166 S \* 11/2009 Becker ..... D3/301  
D621,607 S \* 8/2010 Beauvais ..... D3/215

(Continued)

*Primary Examiner* — T Chase Nelson

(74) *Attorney, Agent, or Firm* — Karin L. Williams;  
Mayer & Williams PC

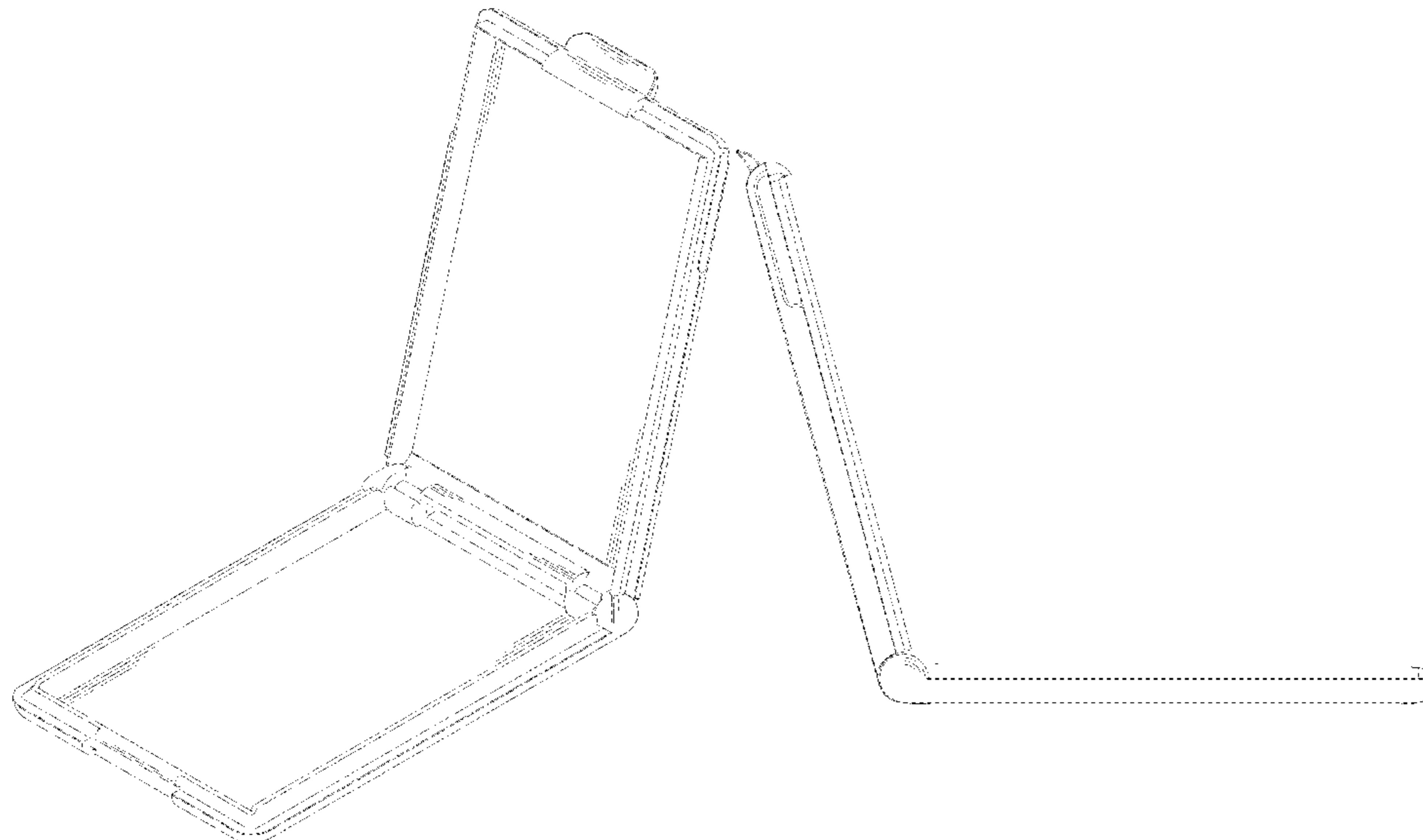
(57) **CLAIM**

The ornamental design for a folding glasses case, as shown and described.

**DESCRIPTION**

FIG. 1 is a perspective view of a folding glasses case showing my new design;  
FIG. 2 is a front elevational view thereof;  
FIG. 3 is a top plan view thereof;  
FIG. 4 is a left side elevational view thereof;  
FIG. 5 is a rear elevational view thereof;  
FIG. 6 is a right side elevational view thereof;  
FIG. 7 is a bottom plan view thereof; and,  
FIG. 8 is a bottom perspective view thereof, showing the folding glasses case in condition of use; and,  
FIG. 9 is a perspective view thereof, showing the folding glasses case in condition of use with folding glasses.  
The broken lines in the drawings illustrate environmental structure associated with the folding glasses case in a condition of use. The broken lines and structure depicted form no part of the claimed design.

**1 Claim, 9 Drawing Sheets**





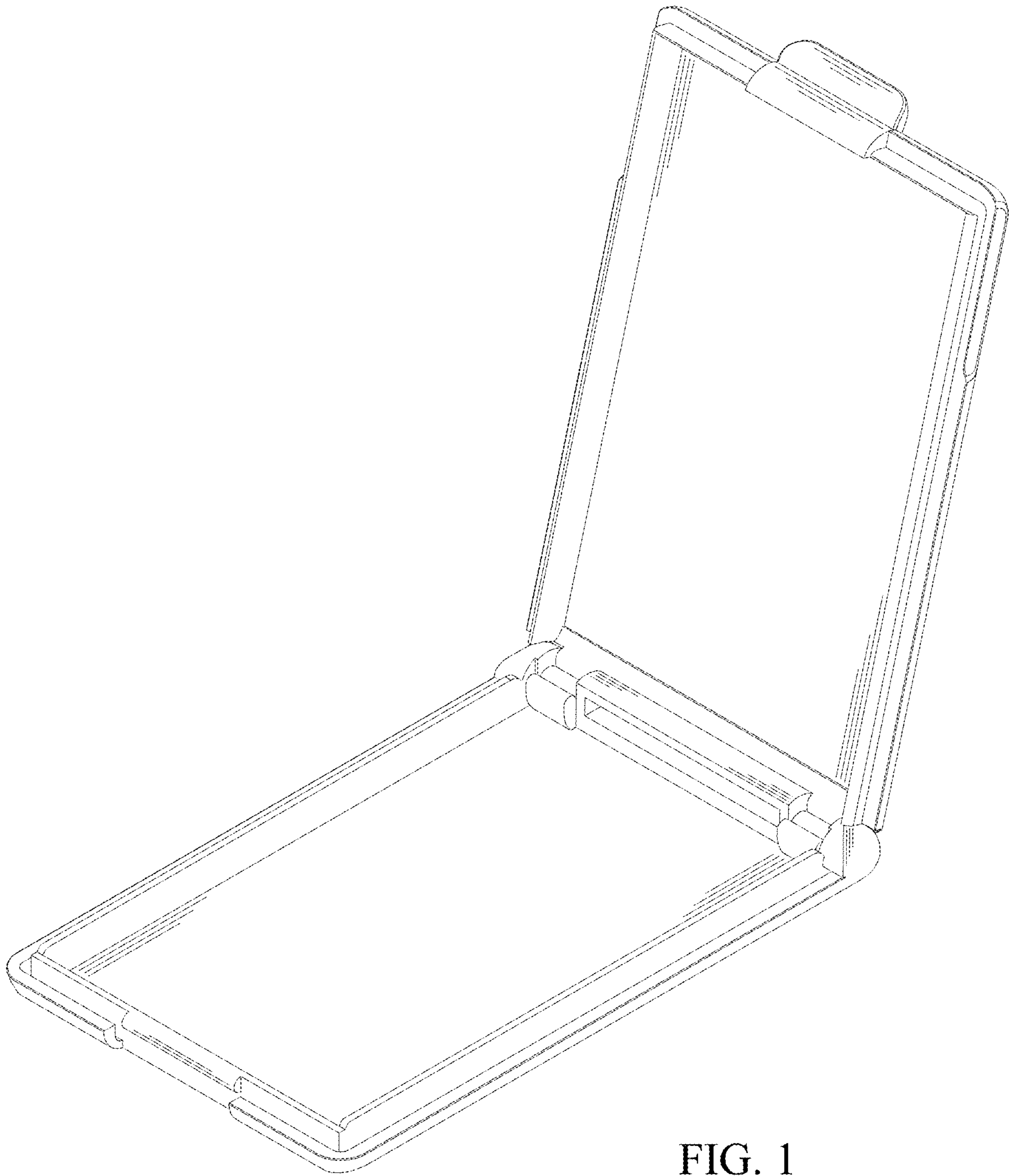


FIG. 1

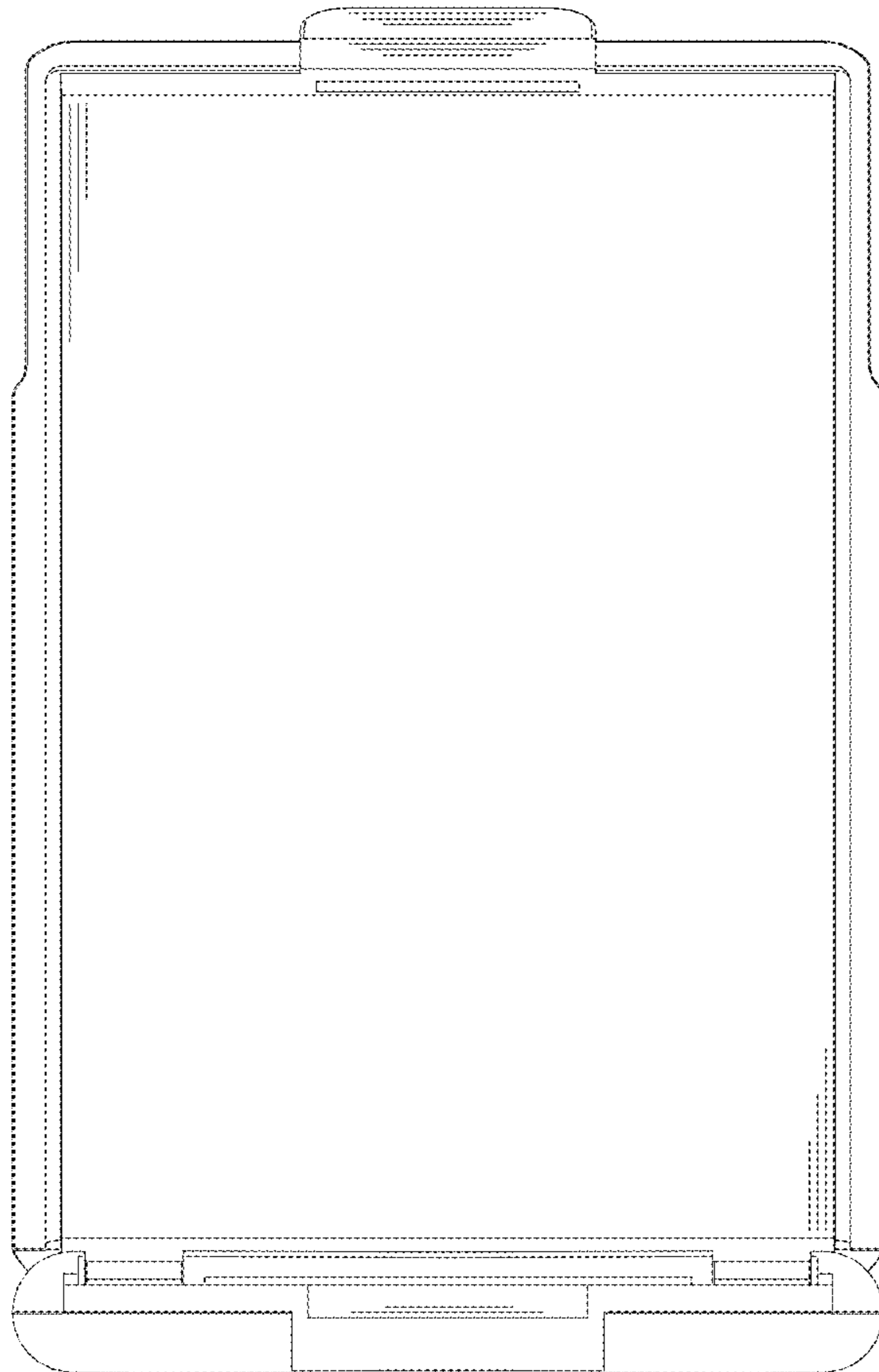


FIG. 2

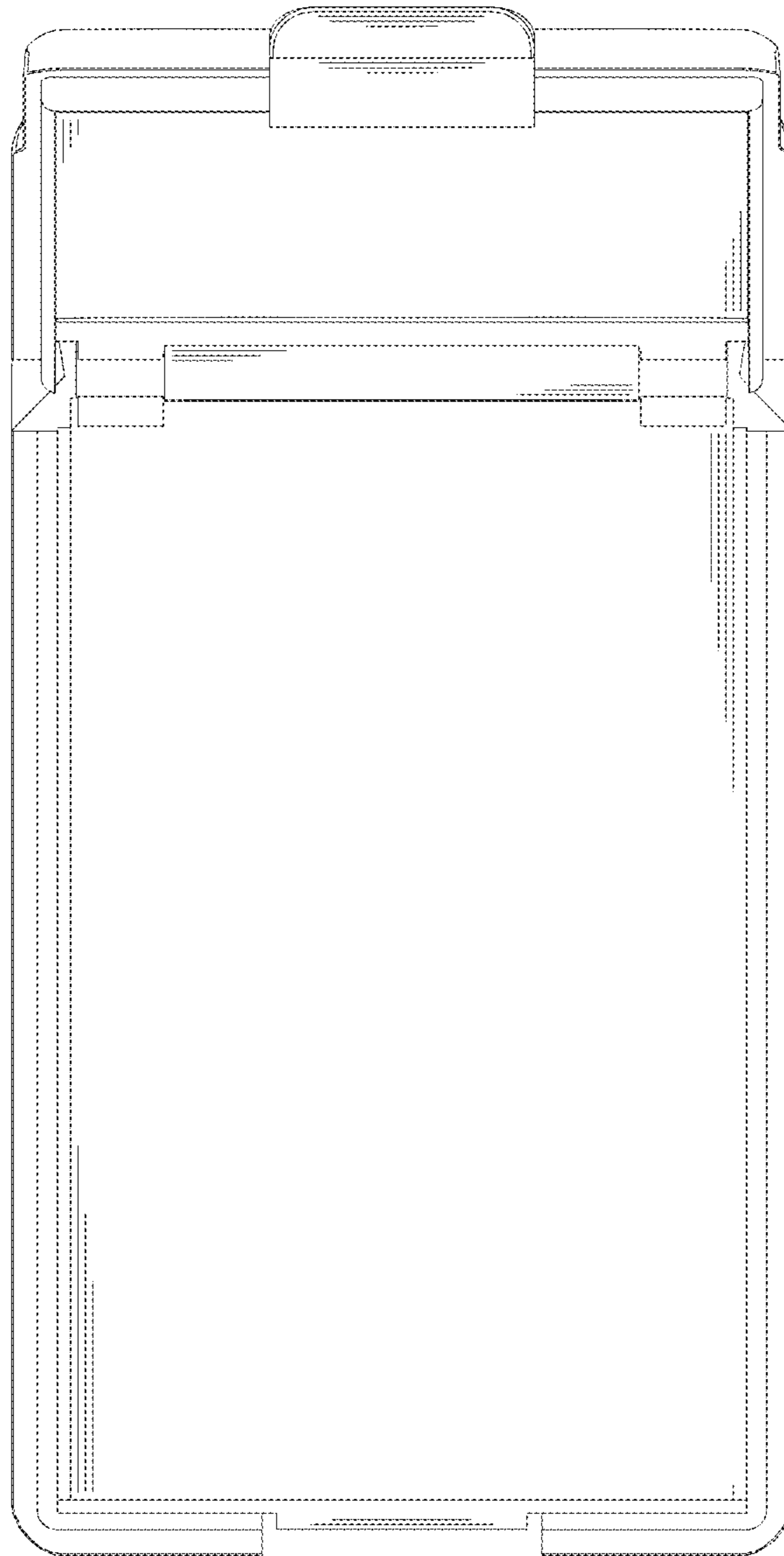


FIG. 3

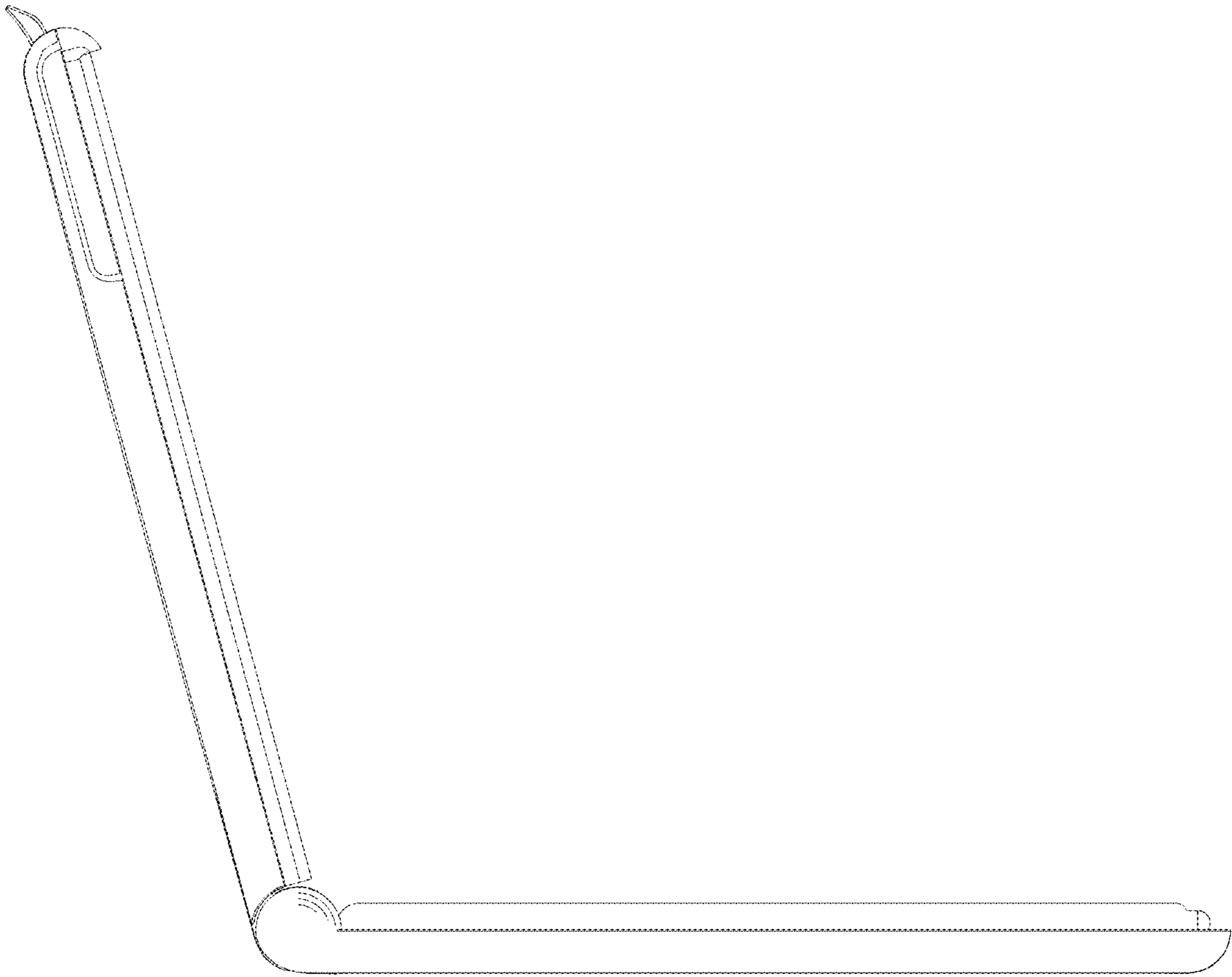


FIG. 4

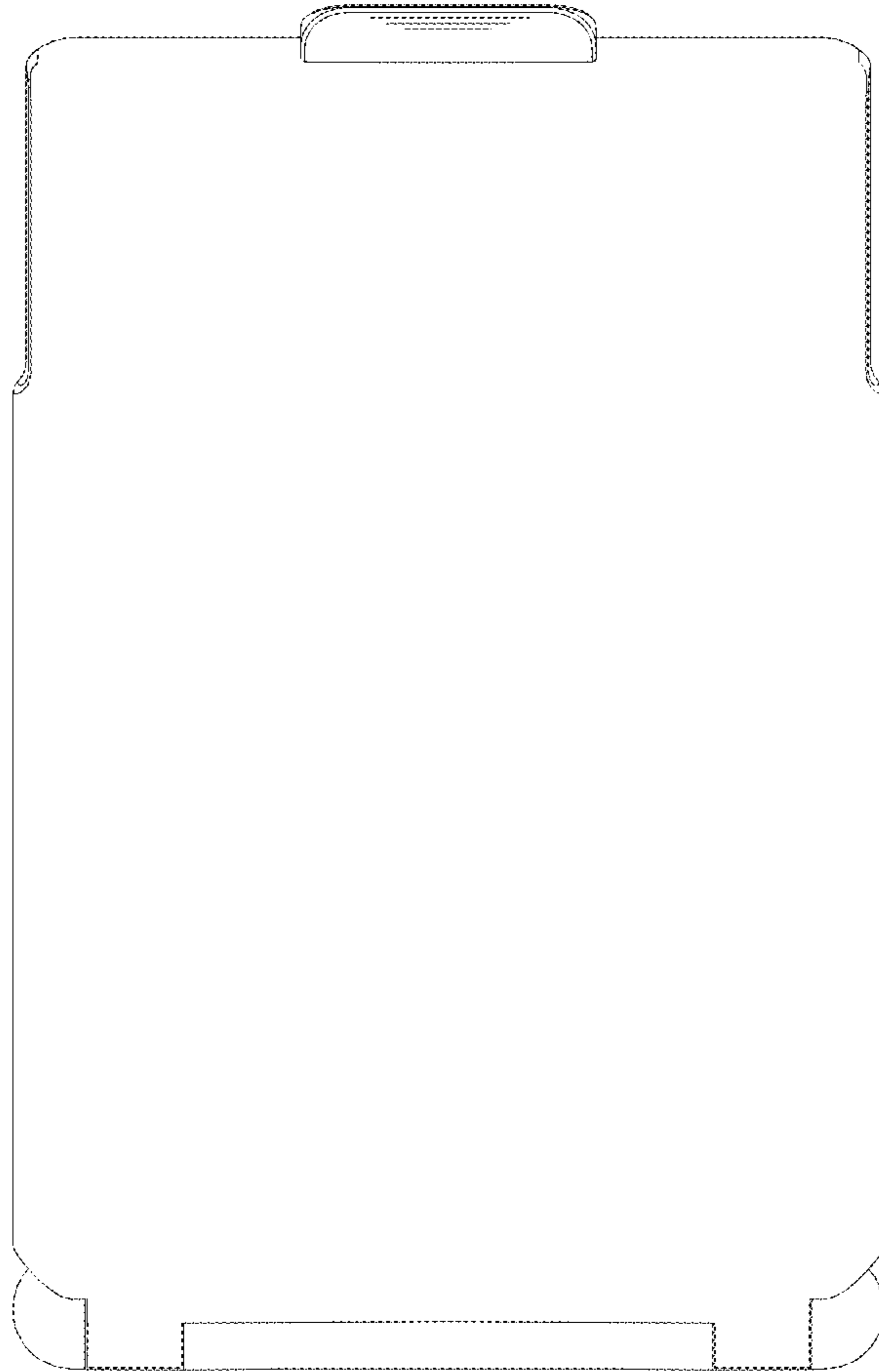


FIG. 5

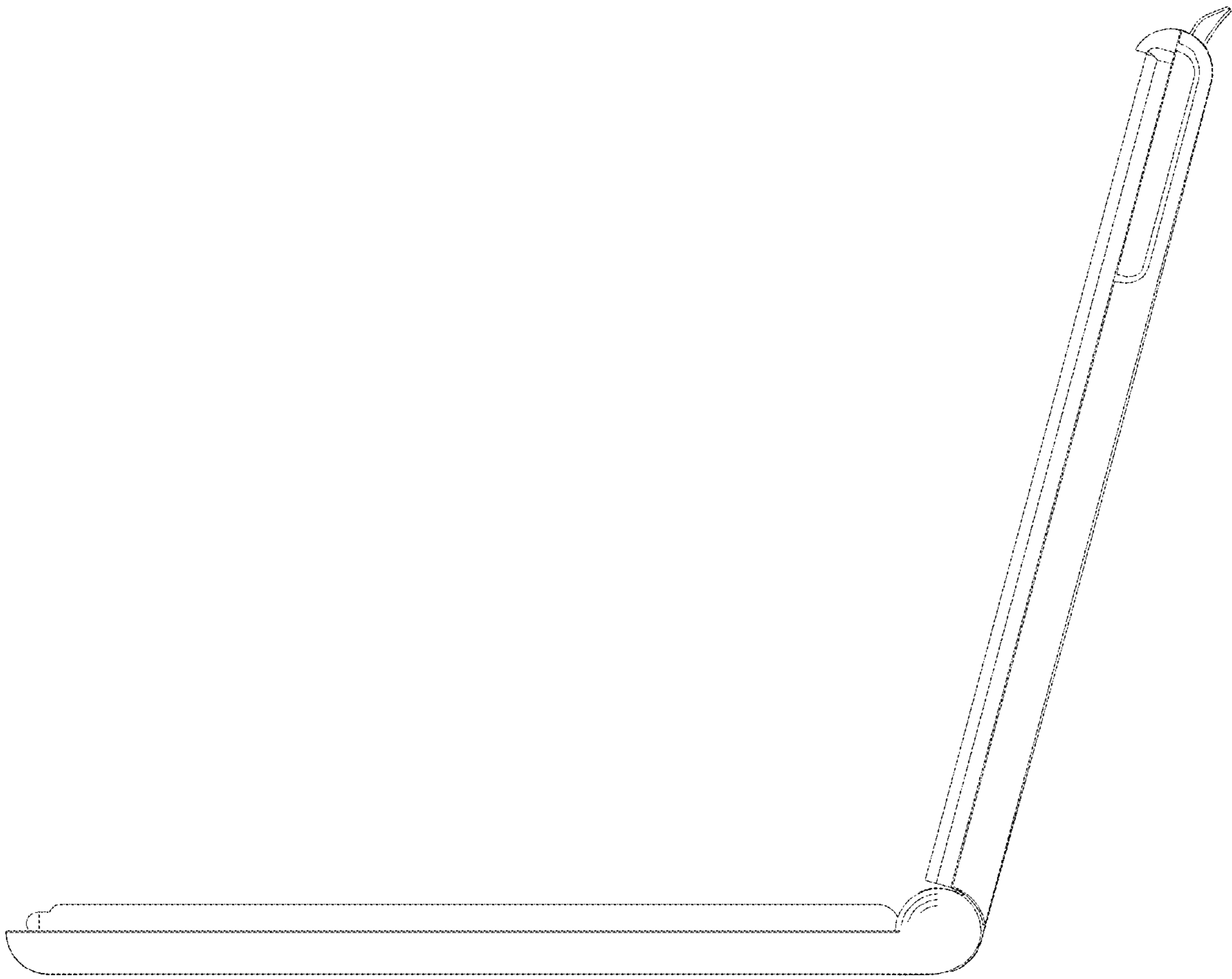


FIG. 6



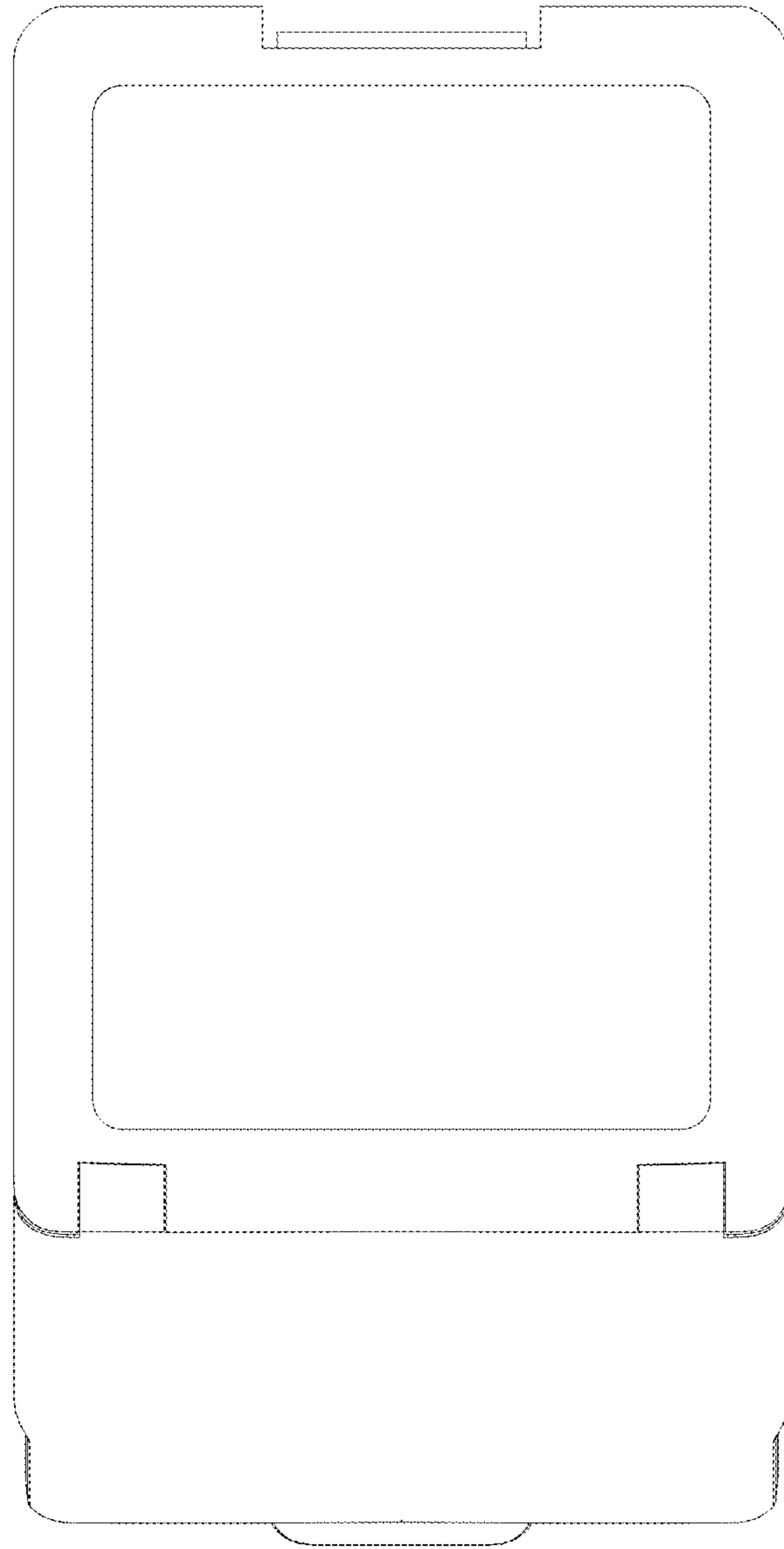


FIG. 7

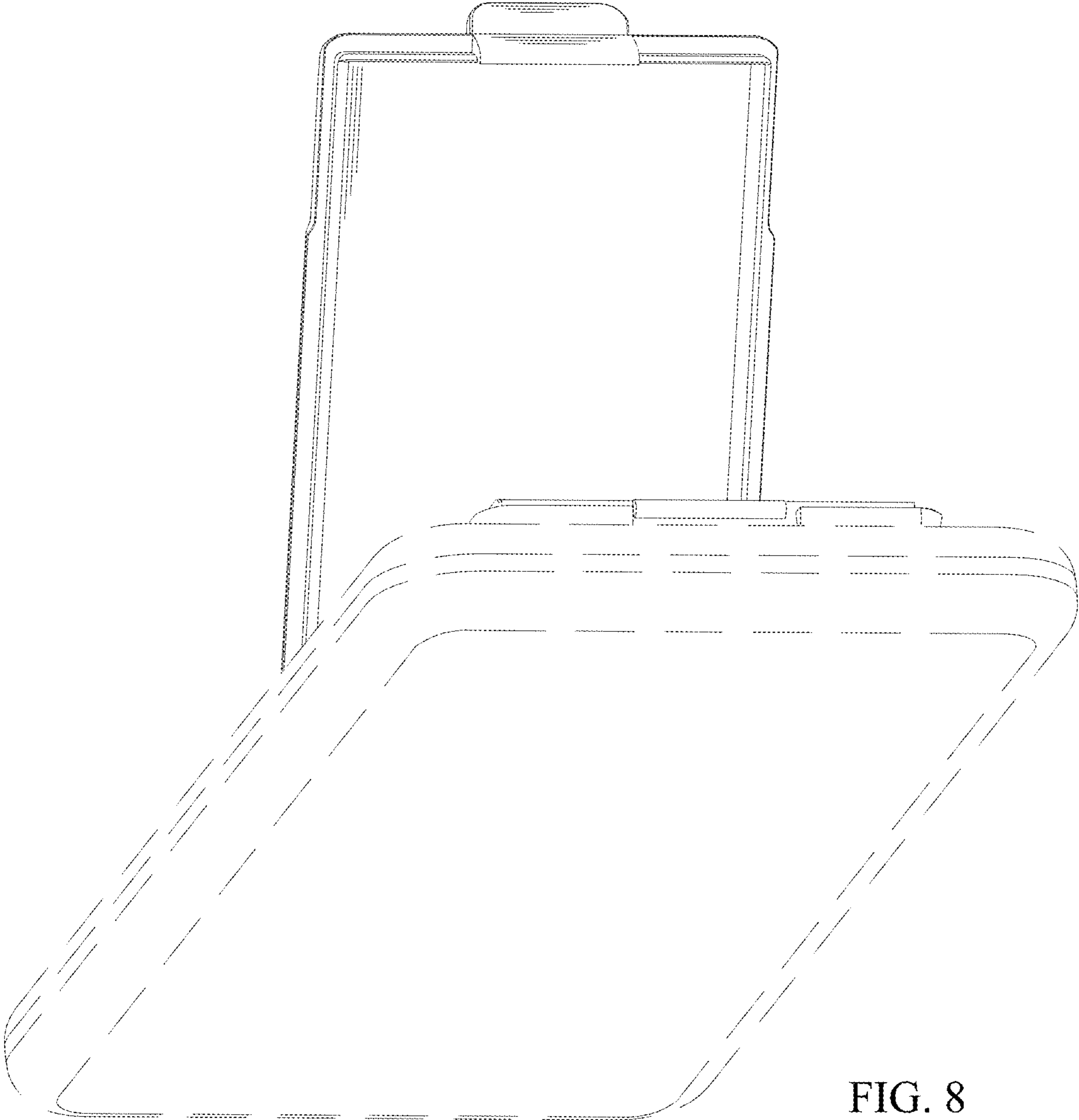


FIG. 8

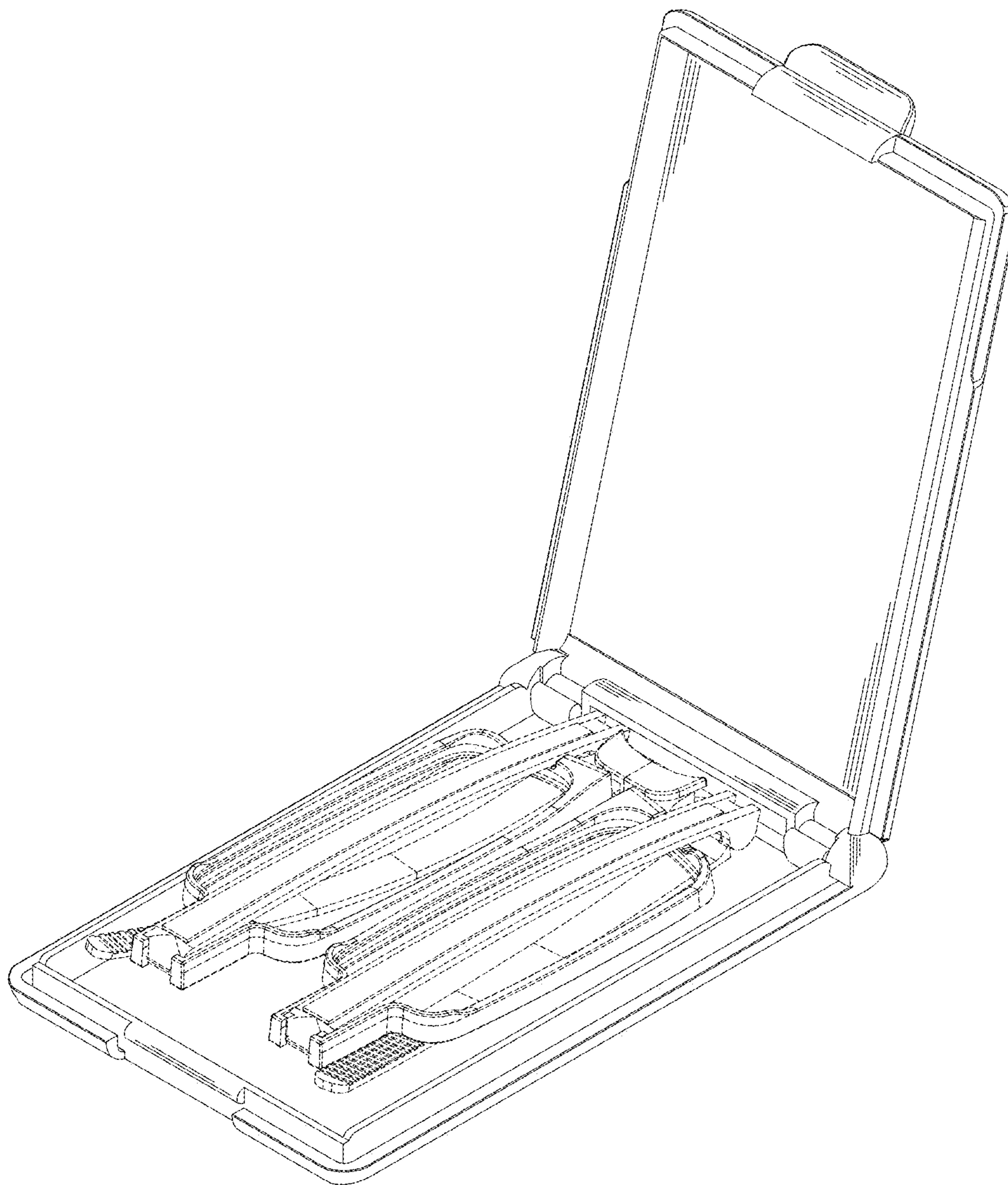


FIG. 9