



US00D940450S

(12) **United States Design Patent**  
**Chen**

(10) **Patent No.:** **US D940,450 S**  
(45) **Date of Patent:** **\*\* Jan. 11, 2022**

(54) **PILL BOX**

FOREIGN PATENT DOCUMENTS

(71) Applicant: **Shenzhen Yuwen E-Commerce Co., Ltd.**, Shenzhen (CN)

GB 9008025811-0001 \* 6/2020

(72) Inventor: **Junyuan Chen**, Shenzhen (CN)

OTHER PUBLICATIONS

(73) Assignee: **SHENZHEN YUWEN E-COMMERCE CO., LTD.**, Shenzhen (CN)

AUVON Unique Weekly Pill Organizer, first available Sep. 1, 2020, amazon.com [online], [site visited Aug. 23, 2021], Available at internet URL: <https://www.amazon.com/dp/B08H4GWZPM> (Year: 2020).\*

(\*\*) Term: **15 Years**

(Continued)

(21) Appl. No.: **29/727,234**

*Primary Examiner* — Jeffrey D Asch  
*Assistant Examiner* — Caitlin A Lavery

(22) Filed: **Mar. 9, 2020**

(74) *Attorney, Agent, or Firm* — IPro, PLLC

(51) **LOC (13) Cl.** ..... **03-01**

(52) **U.S. Cl.**  
USPC ..... **D3/203.3**

(57) **CLAIM**

The ornamental design for a pill box, as shown and described.

(58) **Field of Classification Search**  
USPC ..... D3/201, 203.1–203.8, 206, 273–274,  
D3/294–298, 304, 313–314, 901, 903;  
D7/589; D9/730, 732, 737, 756,  
D9/759–760; D21/369, 372–373,  
D21/392–397; D28/73

**DESCRIPTION**

CPC ..... A61J 1/00; A61J 1/03; A61J 7/00; A61J 7/02; A61J 7/04; A61J 7/0481; A61J 7/0084; B65B 1/04; B65D 1/00; B65D 1/36; B65D 83/04; B65D 83/0445; B65D 83/0481; B65D 43/16; B65D 43/161; B65D 43/162; B65D 2583/04; A63F 9/04; A63F 11/00; A63F 2003/00772–00791; A63F 2003/00943; F21V 33/00  
See application file for complete search history.

FIG. 1 is a perspective view of an ornamental design for a pill box showing my new design;  
FIG. 2 is a front view of the pill box;  
FIG. 3 is a rear view of the pill box;  
FIG. 4 is a left side view of the pill box;  
FIG. 5 is a right side view of the pill box;  
FIG. 6 is a top view of the pill box;  
FIG. 7 is a bottom view of the pill box; and,  
FIG. 8 is a perspective view of the pill box shown in an open state, wherein an internal container is removed from the outer casing.

(56) **References Cited**

U.S. PATENT DOCUMENTS

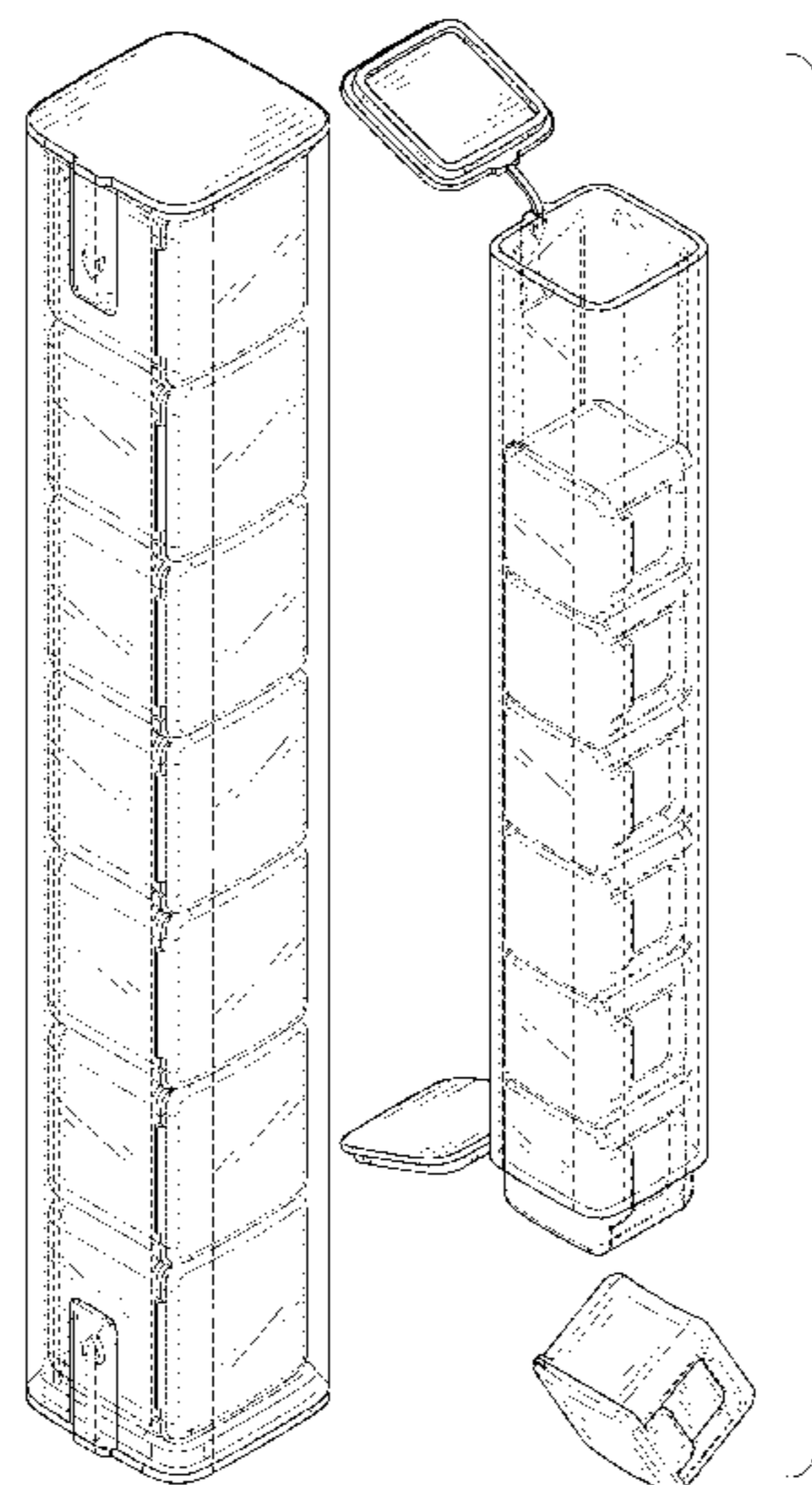
D166,147 S \* 3/1952 Dunbar ..... B65D 83/04  
D9/759  
5,620,109 A \* 4/1997 Madden ..... B65D 11/12  
206/536

The interior broken lines are shown only in FIGS. 1, 3, 4 and 8 to show portions of interior ribs that form no part of the claimed design.

Any shading and cross-hatching are not features of the design but are utilized to illustrate the surface contours of the pill box in the drawings. Oblique shade lines represent transparent or semi-transparent surfaces.

(Continued)

**1 Claim, 8 Drawing Sheets**



(56)

**References Cited**

U.S. PATENT DOCUMENTS

D698,141 S \* 1/2014 Priebe ..... A61J 1/14  
 D3/203.3  
 9,161,885 B1 \* 10/2015 Zhou ..... A61J 7/0076  
 D860,636 S \* 9/2019 Moody ..... A61J 7/04  
 D3/203.3  
 D877,489 S \* 3/2020 Lee ..... A61J 7/04  
 D3/203.2  
 D898,348 S \* 10/2020 Guo ..... B65D 21/0204  
 D3/203.3  
 D914,358 S \* 3/2021 Chen ..... A47L 25/005  
 D3/203.3  
 D916,455 S \* 4/2021 Chen ..... B65D 11/12  
 D3/203.2  
 D919,283 S \* 5/2021 Guo ..... D3/203.3  
 D933,353 S \* 10/2021 Chen ..... D3/203.3  
 2010/0044270 A1 \* 2/2010 Noble ..... B65D 83/04  
 206/538

2010/0147735 A1 \* 6/2010 Musgray ..... A61J 7/04  
 206/538  
 2012/0284939 A1 \* 11/2012 Anderson ..... A47L 25/005  
 15/104.002  
 2013/0056385 A1 \* 3/2013 Thompson ..... A61J 7/04  
 206/534  
 2013/0292403 A1 \* 11/2013 Cote ..... B65D 21/0204  
 221/92  
 2016/0095797 A1 \* 4/2016 Hartley ..... A61J 7/0481  
 340/540  
 2018/0185241 A1 \* 7/2018 Schmoyer ..... A47B 81/00  
 2021/0107699 A1 \* 4/2021 Atto ..... A61J 1/14

OTHER PUBLICATIONS

Bug Hull Large Pill Organizer for Travel, first available Jul. 7, 2019, amazon.com [online], [site visited Aug. 23, 2021], Available at internet URL: (Year: 2019).\*

\* cited by examiner

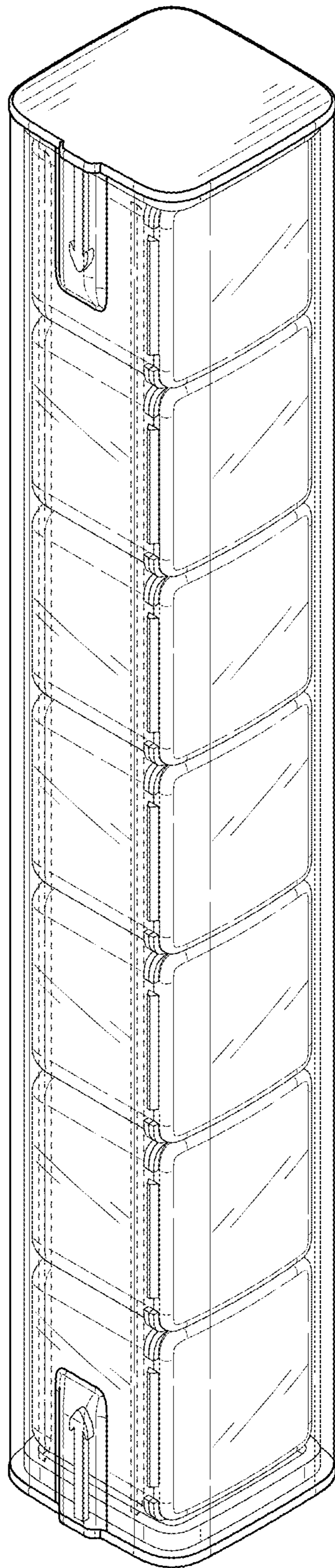


FIG. 1

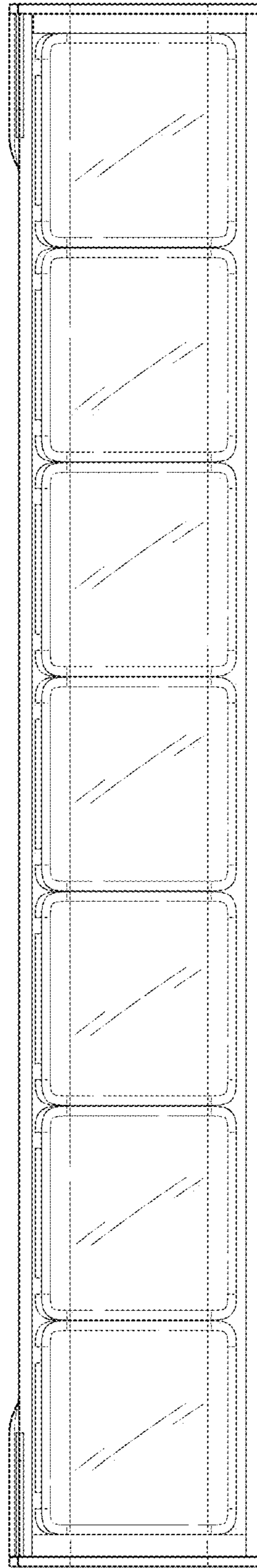


FIG. 2

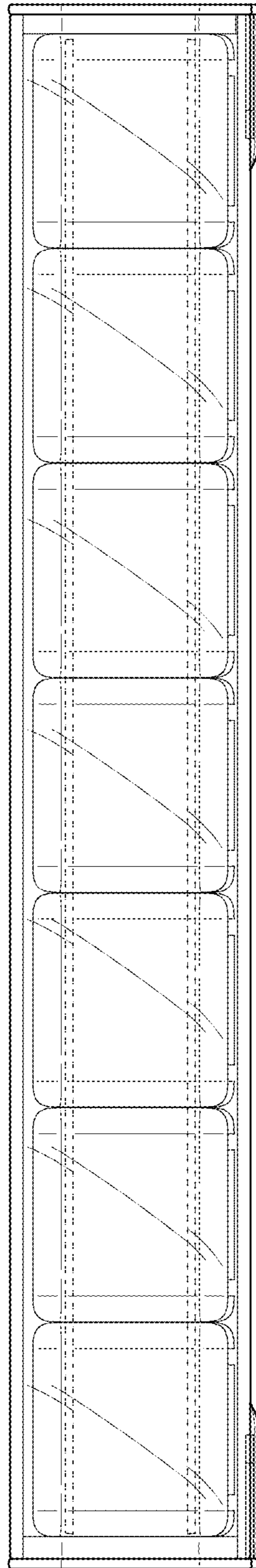


FIG. 3

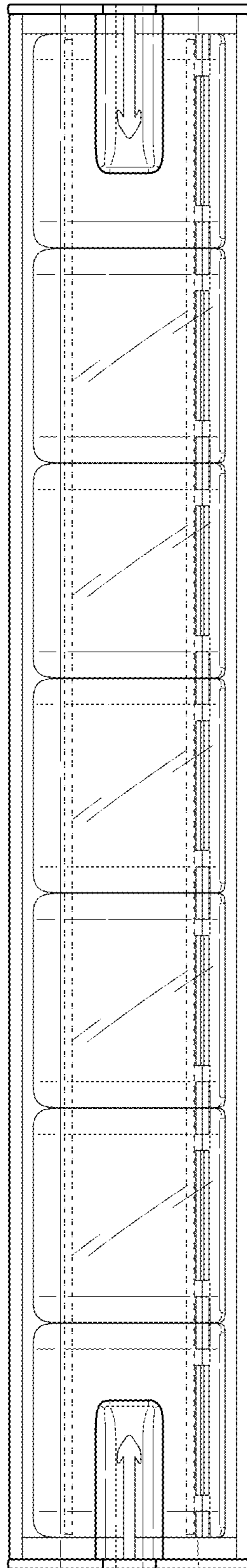


FIG. 4

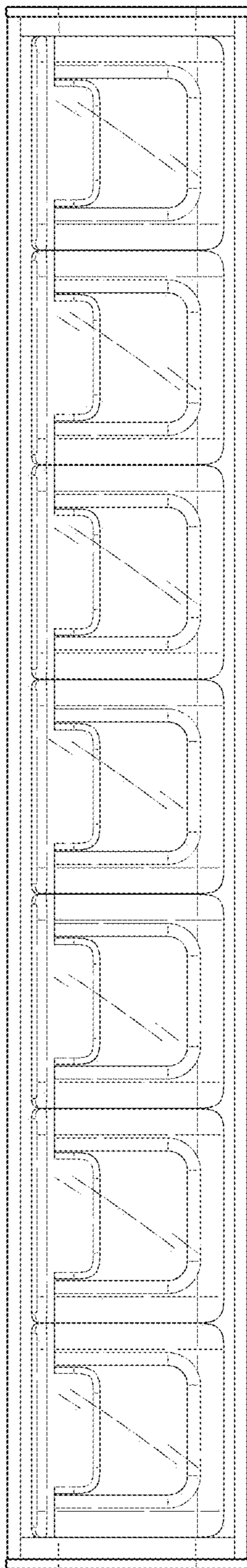


FIG. 5

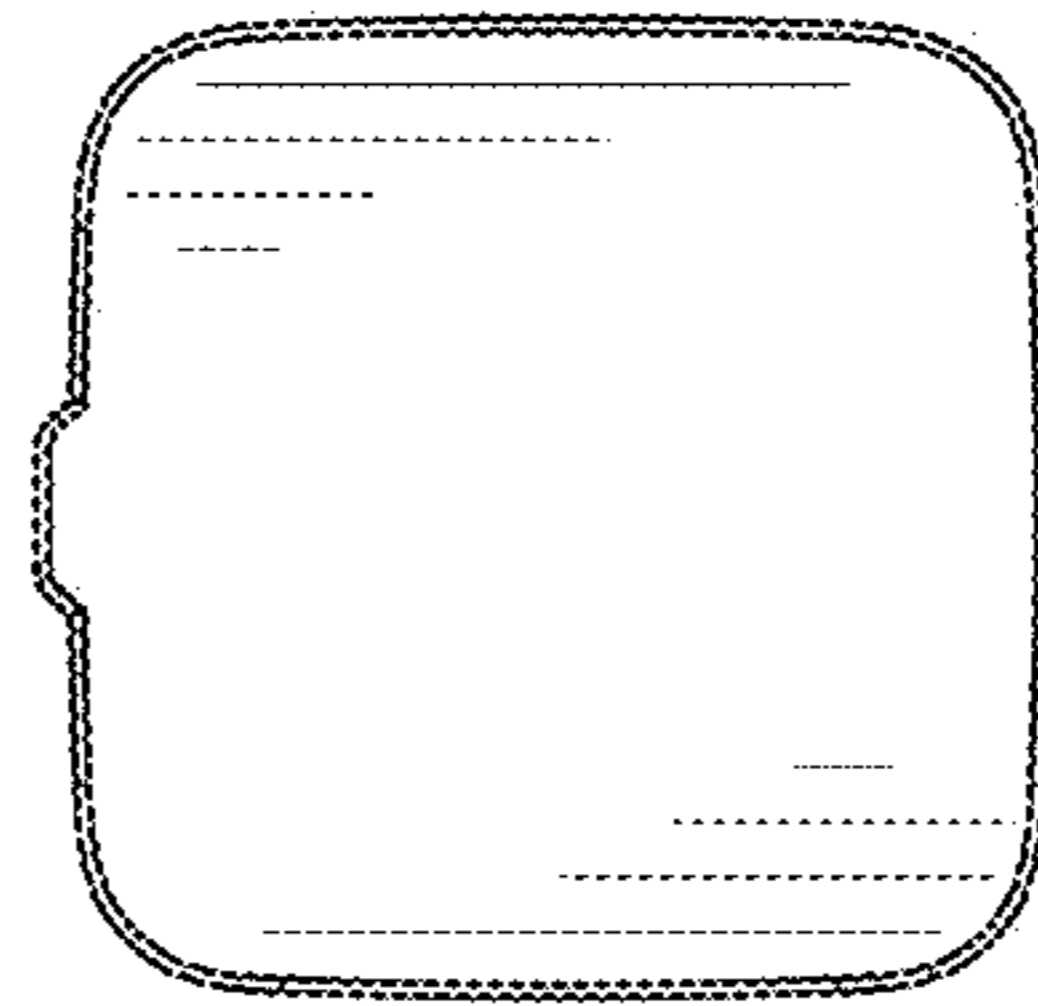


FIG. 6



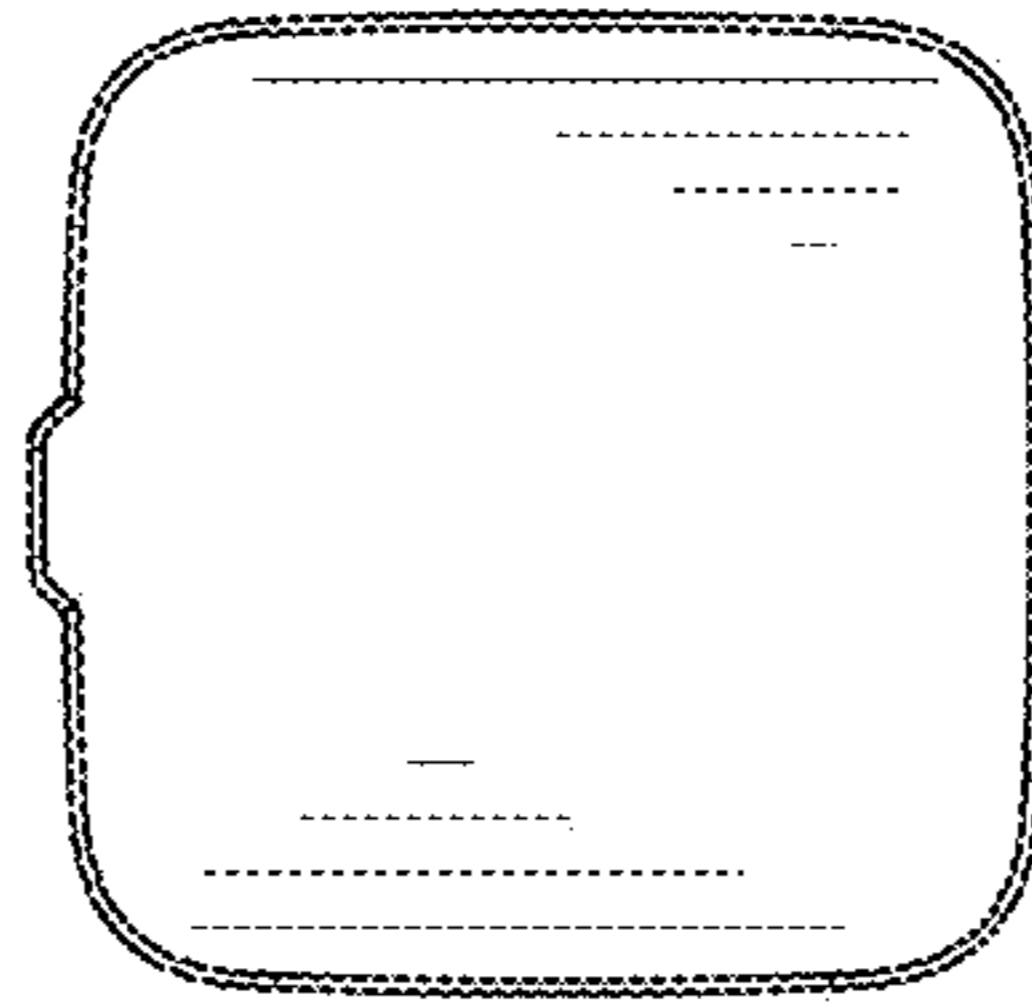


FIG. 7

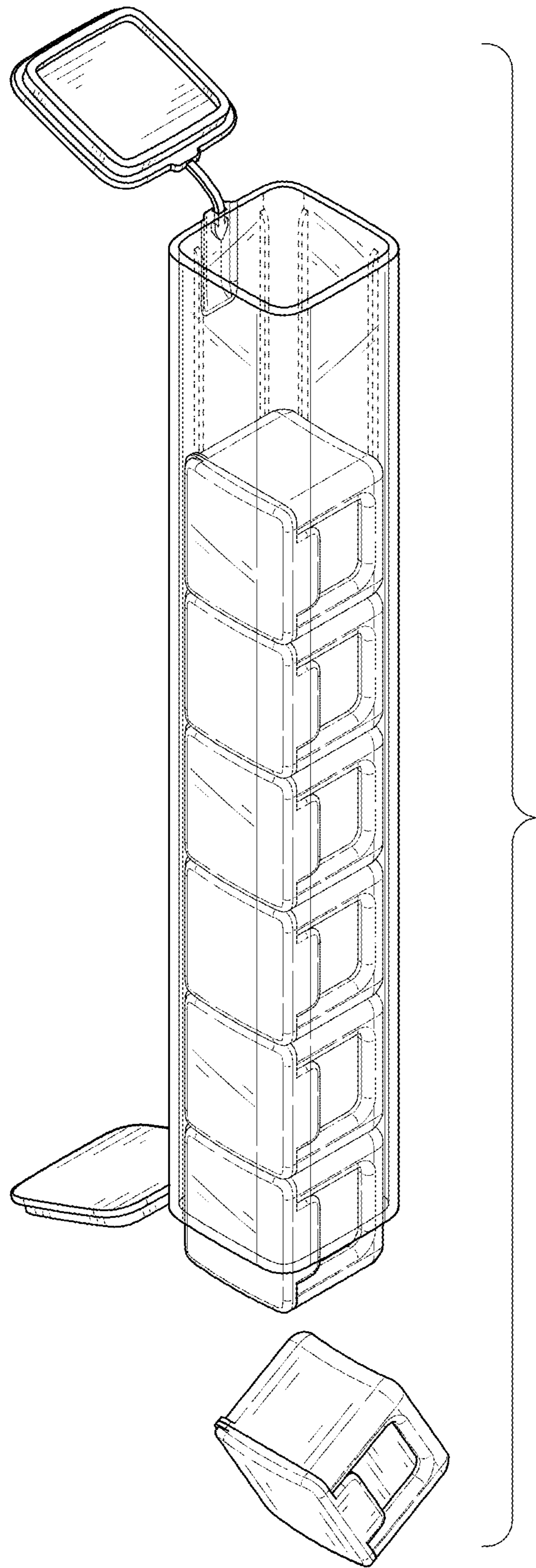


FIG. 8