



US00D940439S

(12) **United States Design Patent**  
**Foust**

(10) **Patent No.:** **US D940,439 S**  
(45) **Date of Patent:** **\*\* Jan. 11, 2022**

- (54) **BOOT**
- (71) Applicant: **LaCrosse Footwear, Inc.**, Portland, OR (US)
- (72) Inventor: **Ryan James Foust**, Portland, OR (US)
- (73) Assignee: **LaCrosse Footwear, Inc.**, Portland, OR (US)

- 2,200,333 A 5/1940 Herzog et al.
- 3,091,871 A 6/1963 Roger
- 3,237,319 A 3/1966 Wade
- D205,181 S 7/1966 Vise
- 3,325,919 A 6/1967 Leon
- 3,343,223 A 9/1967 Herbert
- 3,362,091 A 1/1968 Vittorio
- 3,377,721 A 4/1968 Johnson
- 3,407,406 A 10/1968 Werner et al.
- 3,444,572 A 5/1969 Broughton

(Continued)

(\*\*) Term: **15 Years**

(21) Appl. No.: **29/764,912**

(22) Filed: **Jan. 4, 2021**

FOREIGN PATENT DOCUMENTS

WO 2013081980 A1 6/2013

OTHER PUBLICATIONS

International Search Report and Written Opinion, PCT Application No. PCT/US2012/066559, dated Feb. 8, 2013, 12 pages.

*Primary Examiner* — Rashida C. Walshon  
(74) *Attorney, Agent, or Firm* — Perkins Coie LLP

**Related U.S. Application Data**

(63) Continuation of application No. 29/744,156, filed on Jul. 27, 2020, now Pat. No. Des. 907,912, which is a continuation of application No. 29/707,748, filed on Sep. 30, 2019, now Pat. No. Des. 891,043, which is a continuation of application No. 29/675,695, filed on Jan. 4, 2019, now Pat. No. Des. 862,850, which is a continuation of application No. 29/595,882, filed on Mar. 2, 2017, now Pat. No. Des. 839,578, which is a continuation of application No. 29/542,644, filed on Oct. 15, 2015, now Pat. No. Des. 781,030.

(51) **LOC (13) Cl.** ..... **02-04**

(52) **U.S. Cl.**  
USPC ..... **D2/910; D2/970**

(58) **Field of Classification Search**  
USPC ..... D2/896–900, 909–915, 943–946,  
D2/969–974, 999

CPC ..... A43B 3/02; A43B 5/00–06; A43B 3/08;  
A43B 23/00; A43B 23/02; A43B 3/16  
See application file for complete search history.

(56) **References Cited**

U.S. PATENT DOCUMENTS

D48,627 S 2/1916 Clark  
2,147,197 A 2/1939 Glidden

**CLAIM**

The ornamental design for the boot, as shown and described.

**DESCRIPTION**

FIG. 1 is an isometric view of a boot showing our new design.

FIG. 2 is a front elevational view thereof.

FIG. 3 is a rear elevational view thereof.

FIG. 4 is a right-side elevational view thereof.

FIG. 5 is a left-side elevational view thereof.

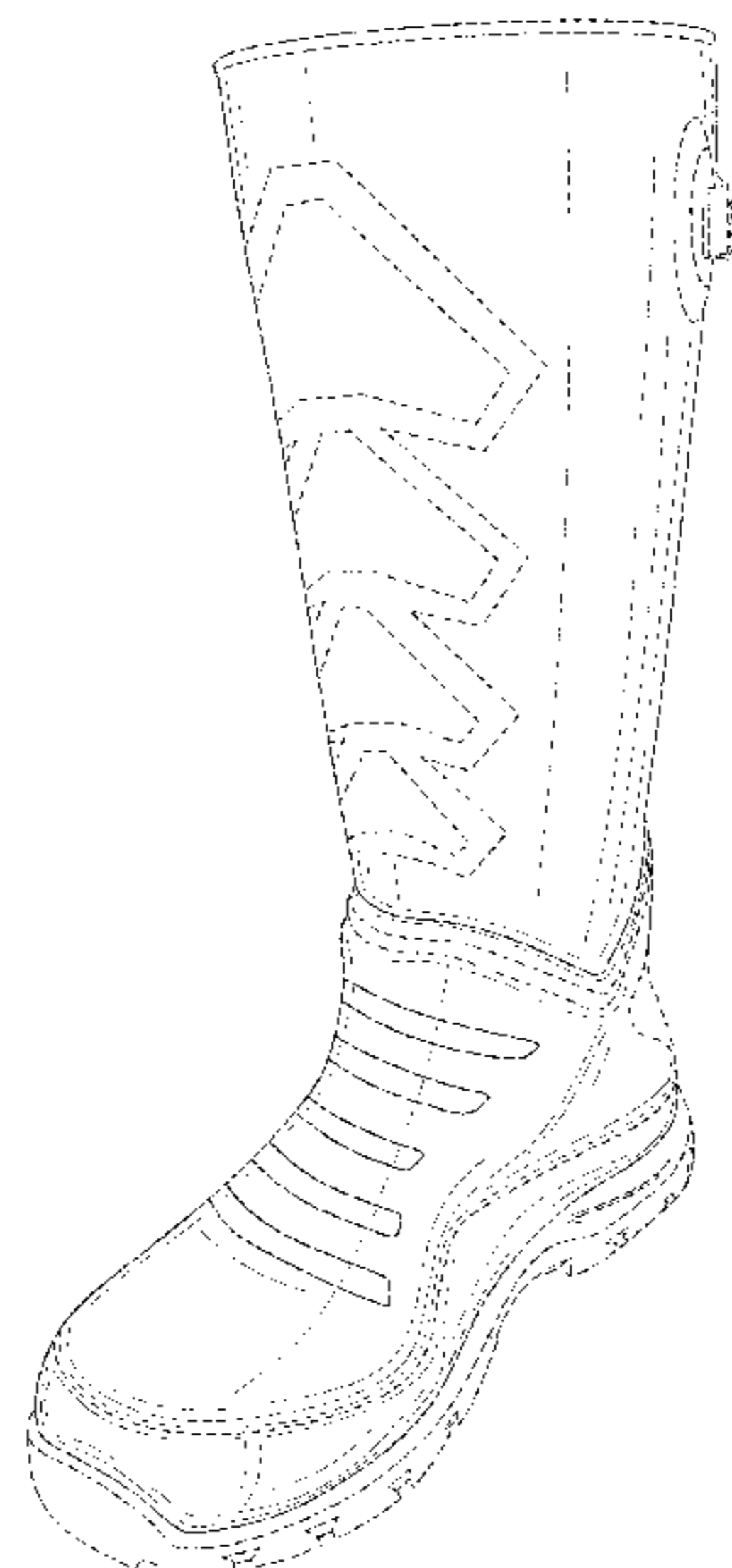
FIG. 6 is a top plan view thereof; and,

FIG. 7 is a bottom plan view thereof.

Any broken lines, colors, and/or patterns in the drawings are for illustrative purposes only and form no part of the claimed design.

The broken lines in the drawings represent portions of the boot that form no part of the claim.

**1 Claim, 6 Drawing Sheets**



(56)

References Cited

U.S. PATENT DOCUMENTS

3,541,646 A 11/1970 Baudou  
 3,581,412 A 6/1971 Dalebout  
 3,640,003 A 2/1972 Anderson  
 3,718,994 A 3/1973 Spier  
 3,744,161 A 7/1973 Herunter  
 3,786,580 A 1/1974 Dalebout  
 3,798,799 A 3/1974 Hanson et al.  
 3,807,062 A 4/1974 Spier  
 3,823,493 A 7/1974 Brehm et al.  
 3,834,044 A 9/1974 Mc et al.  
 3,876,746 A 4/1975 Hanson  
 3,882,561 A 5/1975 Hanson et al.  
 3,896,202 A 7/1975 Palau  
 3,921,313 A 11/1975 Mahide et al.  
 D239,341 S 3/1976 Heckel  
 3,958,291 A 5/1976 Spier  
 3,975,840 A 8/1976 Juzenko  
 4,120,064 A 10/1978 Salomon  
 4,150,455 A 4/1979 Fukuoka  
 4,182,056 A 1/1980 Dalebout  
 4,184,273 A 1/1980 Boyer et al.  
 4,245,406 A 1/1981 Landay et al.  
 4,266,314 A 5/1981 Londner  
 4,268,931 A 5/1981 Salomon  
 4,301,564 A 11/1981 Dalebout  
 4,333,192 A 6/1982 Stockli et al.  
 4,366,629 A 1/1983 Scherz  
 4,384,413 A 5/1983 Bourque  
 4,414,762 A 11/1983 Salomon et al.  
 4,563,825 A 1/1986 Tesser  
 D282,599 S 2/1986 Frey  
 4,587,749 A 5/1986 Berlese  
 4,693,021 A 9/1987 Mazzarolo  
 4,778,145 A 10/1988 Savori et al.  
 4,778,368 A 10/1988 Rebers et al.  
 4,837,884 A 6/1989 Hilgarth  
 D303,037 S 8/1989 Kushitani  
 D304,125 S 10/1989 Kushitani  
 4,897,939 A 2/1990 Harrington  
 4,910,889 A 3/1990 Bonaventure et al.  
 D315,823 S 4/1991 Signori  
 5,067,257 A 11/1991 Coomer  
 5,106,445 A 4/1992 Fukuoka  
 5,396,717 A 3/1995 Bell  
 5,595,518 A 1/1997 Ours  
 5,647,150 A 7/1997 Romanato et al.  
 5,738,937 A 4/1998 Baychar  
 5,765,297 A 6/1998 Cooper et al.  
 5,806,211 A 9/1998 Pozzobon  
 5,885,500 A 3/1999 Tawney et al.  
 6,102,412 A 8/2000 Staffaroni  
 6,299,817 B1 10/2001 Parkinson  
 6,558,784 B1 5/2003 Norton et al.  
 D475,841 S 6/2003 Cook  
 D479,903 S 9/2003 Mazzarolo  
 D484,298 S 12/2003 Navatier  
 6,729,048 B1 5/2004 Grandin et al.  
 D495,471 S 9/2004 Mazzarolo

D498,908 S 11/2004 Gebhardt et al.  
 D515,788 S 2/2006 Mazzarolo  
 D520,219 S 5/2006 Mazzarolo  
 D547,046 S 7/2007 Belley et al.  
 D548,444 S 8/2007 Covatch  
 7,316,083 B2 1/2008 Labonte  
 7,350,321 B2 4/2008 Soon et al.  
 D579,648 S 11/2008 McDowell  
 D622,487 S 8/2010 McCarron et al.  
 D624,295 S 9/2010 McCarron  
 7,875,229 B2 1/2011 Wright et al.  
 D658,359 S 5/2012 Spring  
 D670,071 S 11/2012 Meyer et al.  
 8,361,369 B1 1/2013 Cook et al.  
 D701,374 S 3/2014 Feller et al.  
 8,662,875 B2 3/2014 Lim et al.  
 D704,928 S 5/2014 Roundhouse  
 D711,086 S 8/2014 Anderson et al.  
 D712,638 S 9/2014 Barker et al.  
 D722,761 S 2/2015 Monroy  
 8,984,776 B2 3/2015 Ludemann et al.  
 D727,004 S 4/2015 Roundhouse  
 9,021,723 B2 5/2015 Meyer et al.  
 D732,805 S 6/2015 Bruder  
 9,204,685 B2 12/2015 Ludemann et al.  
 D747,078 S 1/2016 Feller et al.  
 D769,588 S 10/2016 Barker et al.  
 D781,030 S 3/2017 Foust  
 9,615,625 B1 4/2017 Huard et al.  
 9,642,416 B2 5/2017 Ludemann et al.  
 D798,031 S 9/2017 Benetti  
 D803,526 S 11/2017 Barker et al.  
 D838,456 S 1/2019 Barker  
 D839,578 S 2/2019 Foust  
 D839,580 S 2/2019 Dowd et al.  
 10,327,501 B2 6/2019 Ludemann et al.  
 D862,848 S 10/2019 Barker  
 D862,850 S 10/2019 Foust  
 D873,540 S \* 1/2020 Crawford ..... D2/910  
 D874,100 S 2/2020 Barker et al.  
 D891,043 S 7/2020 Foust  
 D895,235 S 9/2020 Barker et al.  
 D895,252 S 9/2020 Barker  
 10,849,385 B2 \* 12/2020 Ludemann ..... A43B 23/026  
 D907,912 S 1/2021 Foust  
 2002/0012784 A1 1/2002 Norton et al.  
 2004/0020077 A1 2/2004 Thomas et al.  
 2007/0039210 A1 2/2007 Clark et al.  
 2009/0158621 A1 6/2009 Yamamoto  
 2010/0050470 A1 \* 3/2010 Hubner ..... A43B 1/14  
 36/14  
 2010/0229429 A1 9/2010 Longuet  
 2011/0078924 A1 \* 4/2011 Rackiewicz ..... A43B 7/12  
 36/102  
 2013/0133227 A1 \* 5/2013 Yu ..... A43B 23/0235  
 36/107  
 2013/0133229 A1 \* 5/2013 Ludemann ..... A43B 23/026  
 36/109  
 2013/0219752 A1 8/2013 Dombrow et al.  
 2020/0029651 A1 1/2020 Ludemann et al.

\* cited by examiner

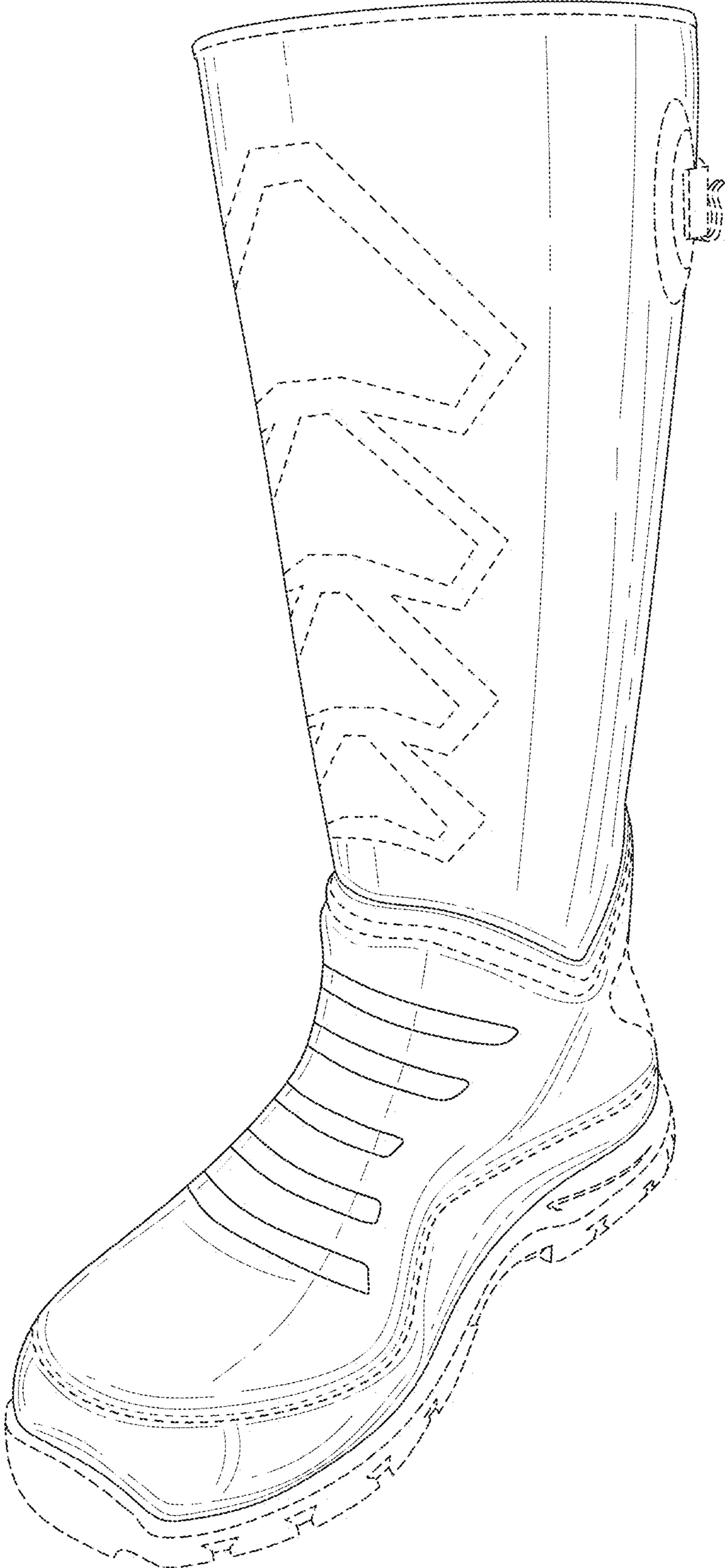
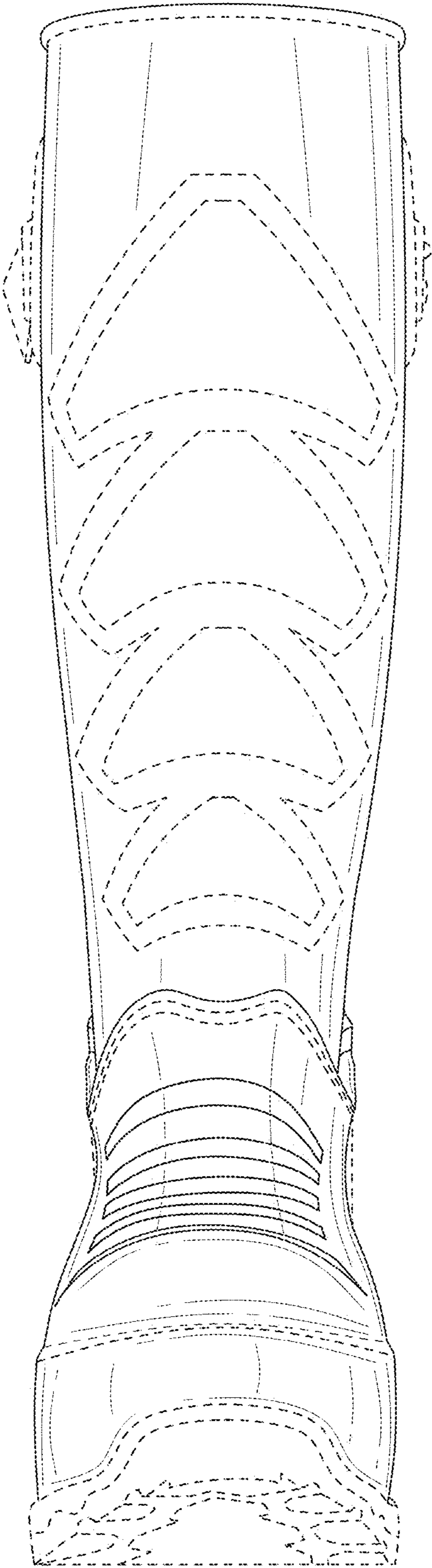
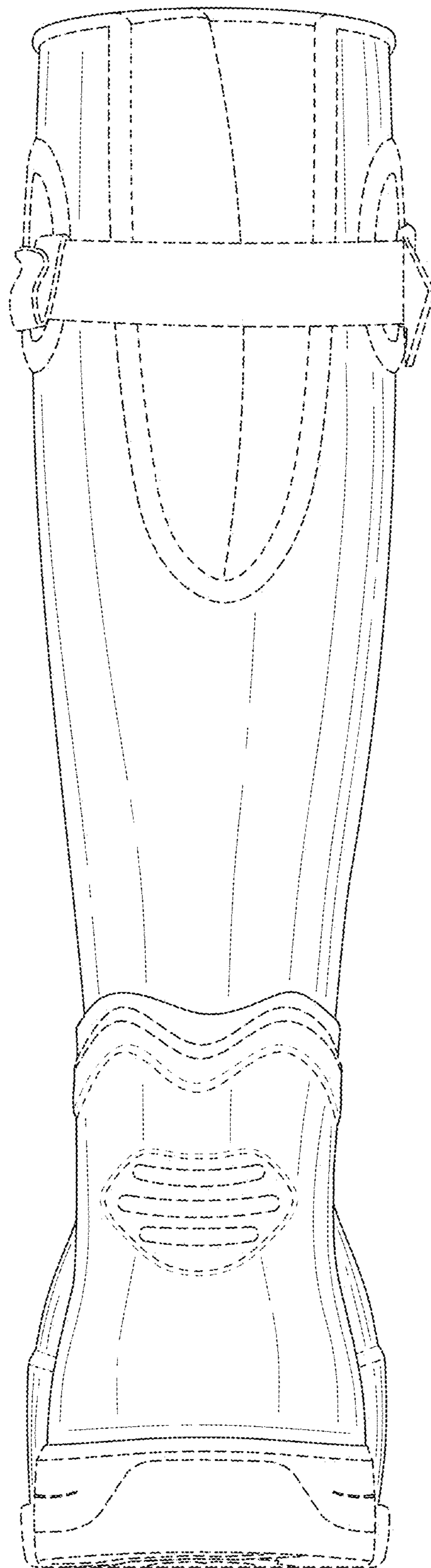


Fig. 1





*Fig. 2*



*Fig. 3*



Fig. 4



*Fig. 5*



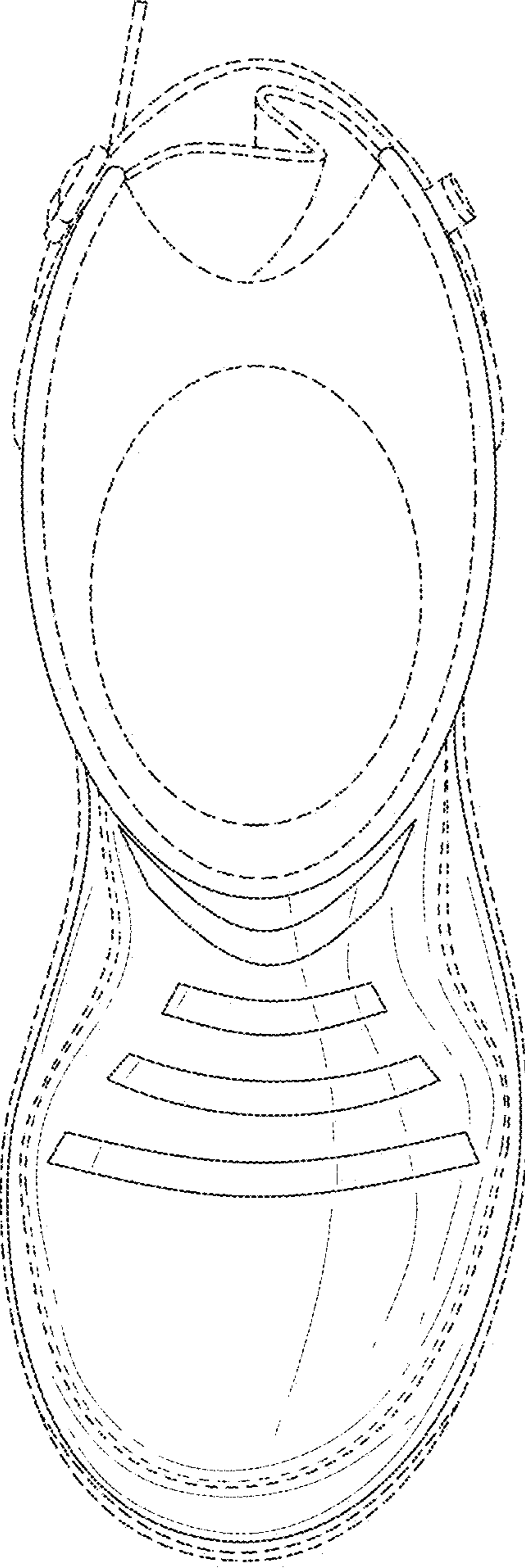


Fig. 6

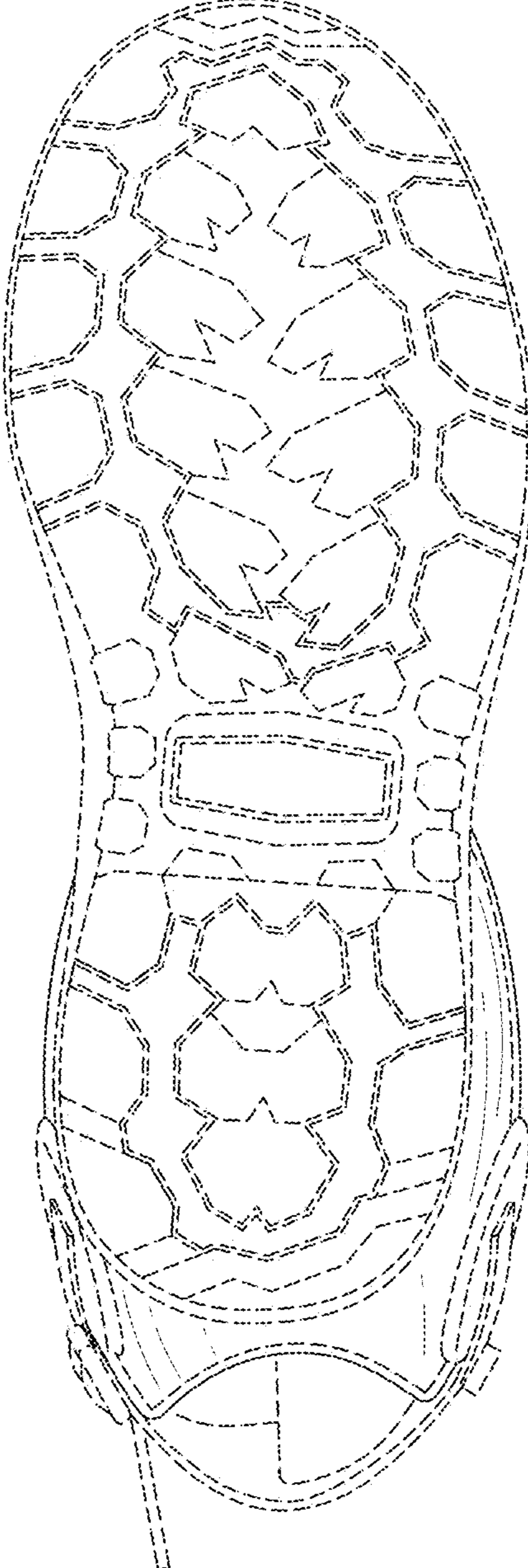


Fig. 7