



US00D940429S

(12) **United States Design Patent** (10) **Patent No.:** **US D940,429 S**
Muhl (45) **Date of Patent:** **** Jan. 4, 2022**

(54) **REAR PART OF A FORKLIFT**
(71) Applicant: **Jungheinrich Aktiengesellschaft,**
Hamburg (DE)
(72) Inventor: **Till Muhl,** Quickborn-Heide (DE)
(73) Assignee: **Jungheinrich Aktiengesellschaft,**
Hamburg (DE)
(**) Term: **15 Years**
(21) Appl. No.: **29/717,224**
(22) Filed: **Dec. 16, 2019**
(51) **LOC (13) Cl.** **12-05**
(52) **U.S. Cl.**
USPC **D34/35**
(58) **Field of Classification Search**
USPC D34/12-39; D8/382, 356, 249, 353, 354,
D8/380; D15/31, 28
CPC B60R 13/04; B66F 9/07563
See application file for complete search history.

D821,677 S * 6/2018 Smiley D34/35
D822,307 S * 7/2018 Smiley D34/35
D847,213 S * 4/2019 Kurosaka D15/28
D903,974 S * 12/2020 Moreno Piedra D34/35

* cited by examiner

Primary Examiner — George A Bugg
Assistant Examiner — Tamara L Hahn
(74) *Attorney, Agent, or Firm* — Meunier Carlin &
Curfman LLC

(57) **CLAIM**

The ornamental design for a rear part of a forklift, as shown and described.

DESCRIPTION

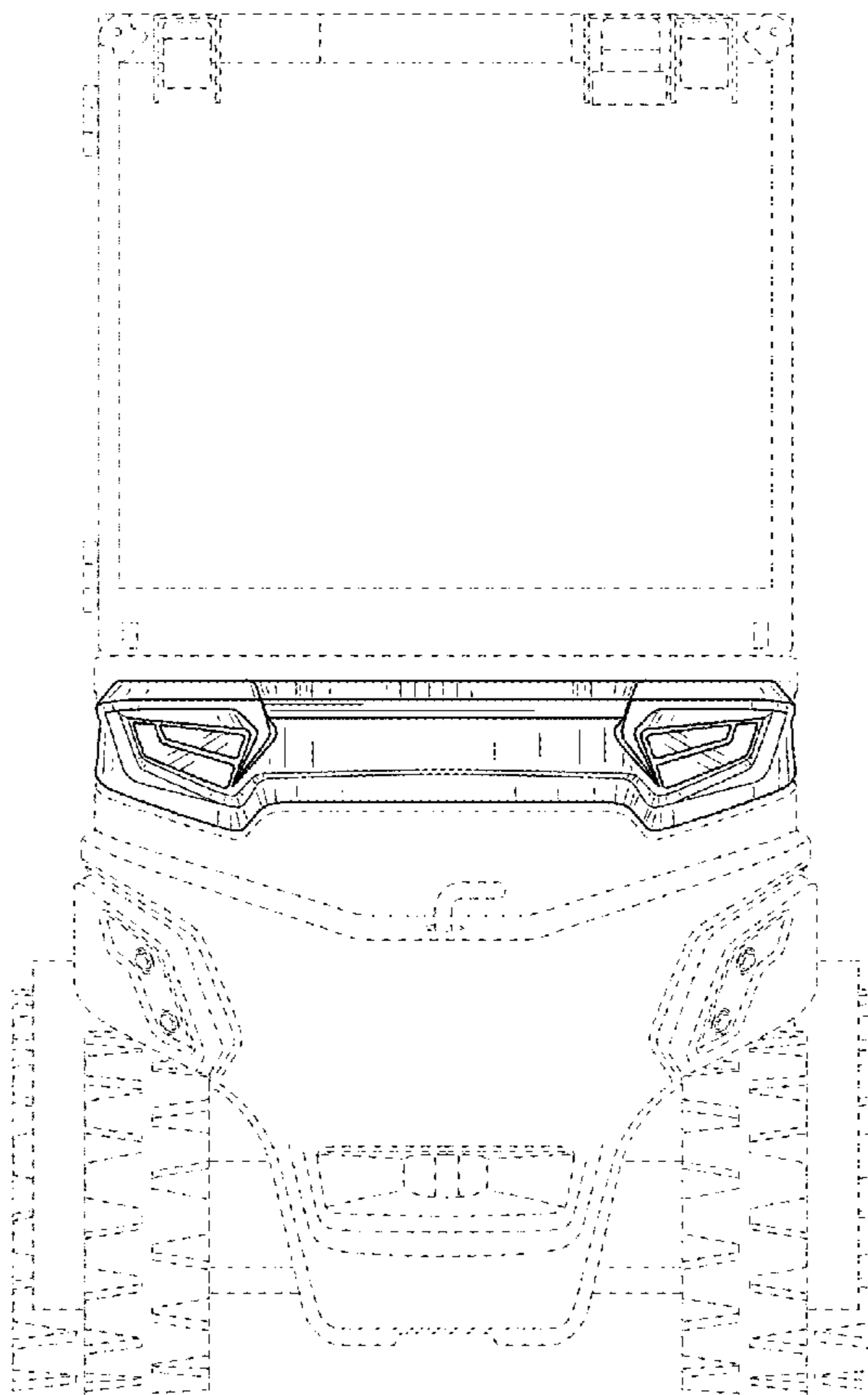
FIG. 1 is a right-side perspective view of a rear part of a forklift showing my new design.
FIG. 2 is a right-side view of my new design shown in FIG. 1.
FIG. 3 is a left-side view of my new design shown in FIG. 1.
FIG. 4 is a top view of my new design shown in FIG. 1.
FIG. 5 is a bottom view of my new design shown in FIG. 1.
FIG. 6 is a front view of my new design shown in FIG. 1; and,
FIG. 7 is a rear view of my new design shown in FIG. 1.
The portions of the forklift rendered in short broken lines illustrate environmental subject matter that form no part of the claimed design.

(56) **References Cited**

U.S. PATENT DOCUMENTS

D369,010 S * 4/1996 Soederberg D34/34
D657,113 S * 4/2012 Shibata D34/35
D724,106 S * 3/2015 Gallagher D15/28
D746,014 S * 12/2015 Rekow D34/35

1 Claim, 7 Drawing Sheets



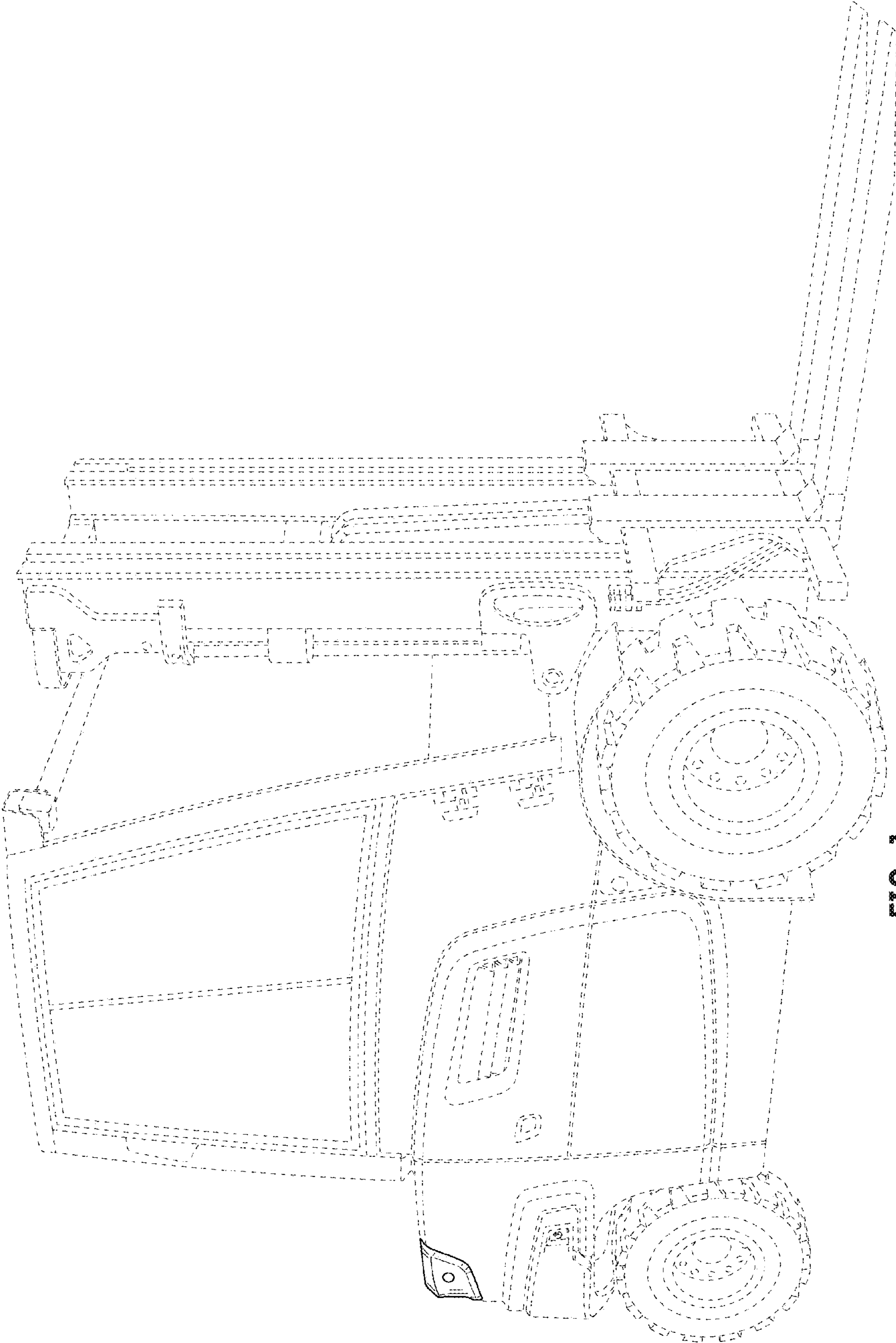


FIG. 1

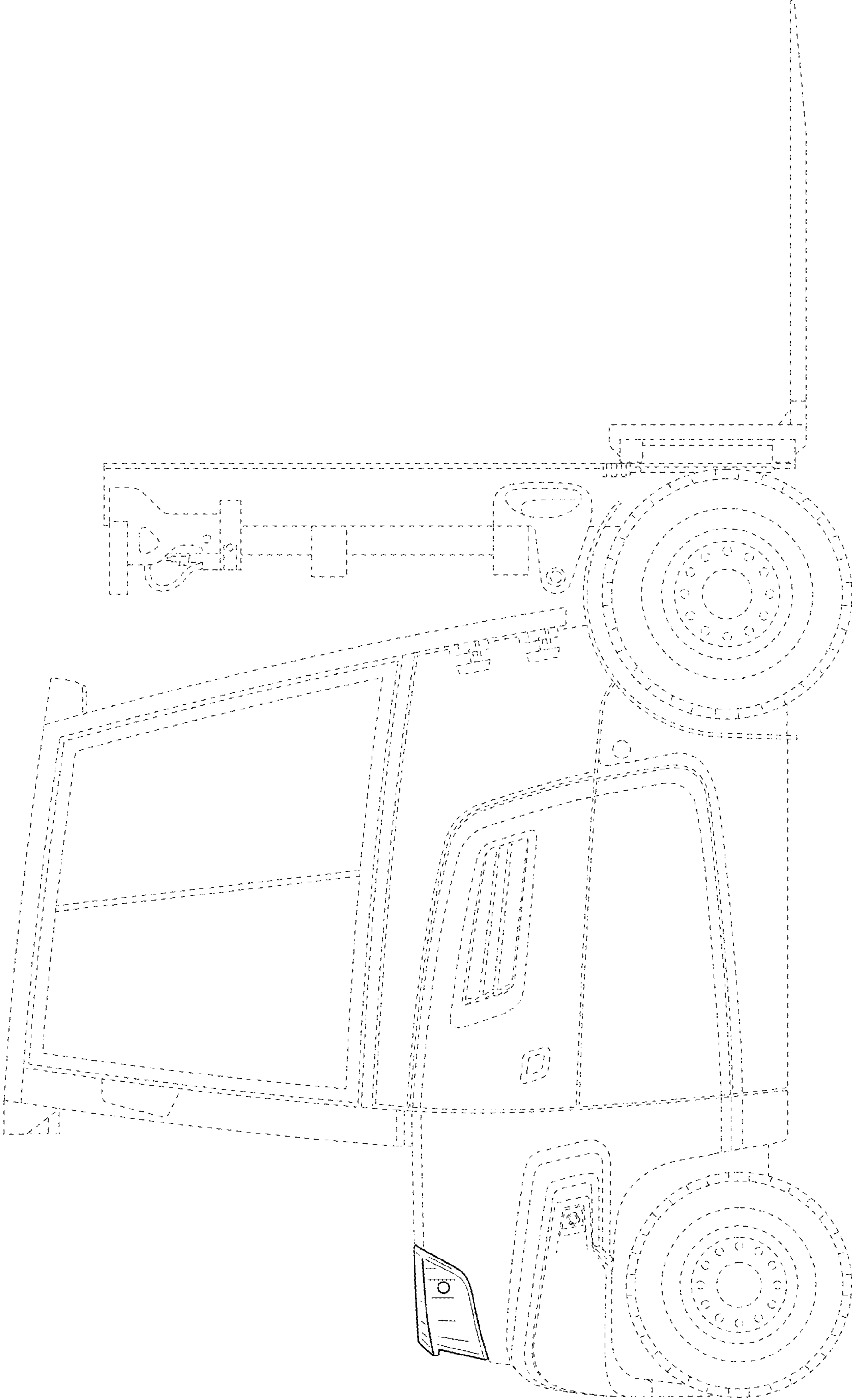


FIG. 2

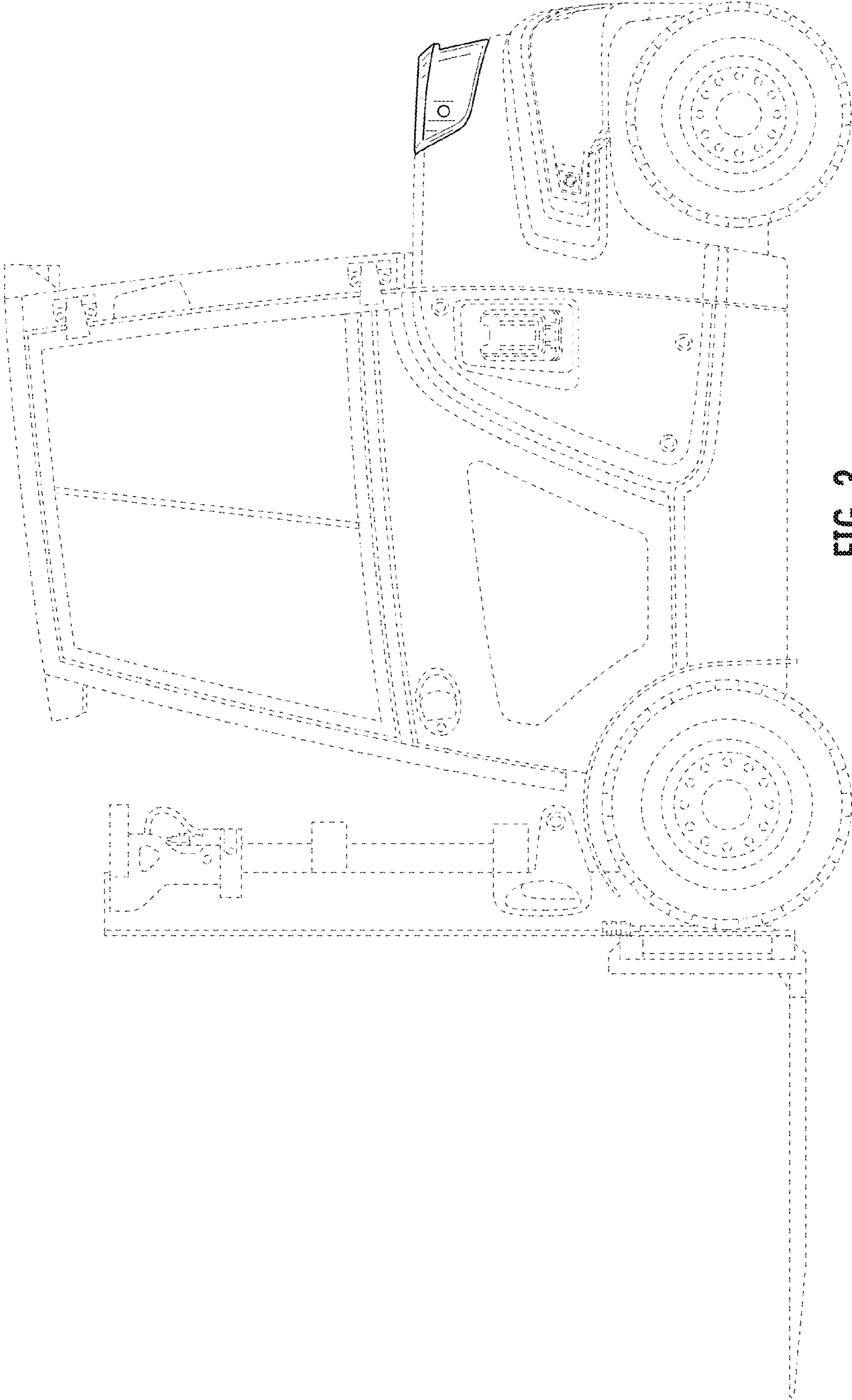


FIG. 3

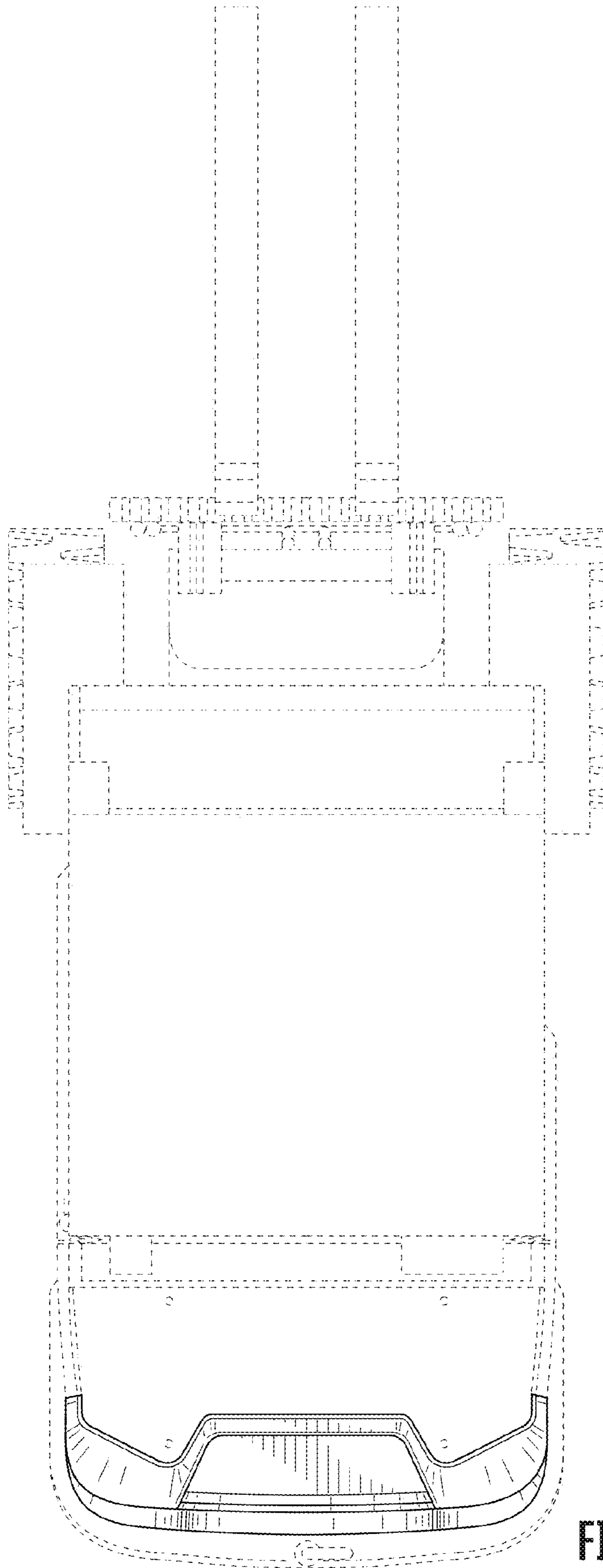


FIG. 4

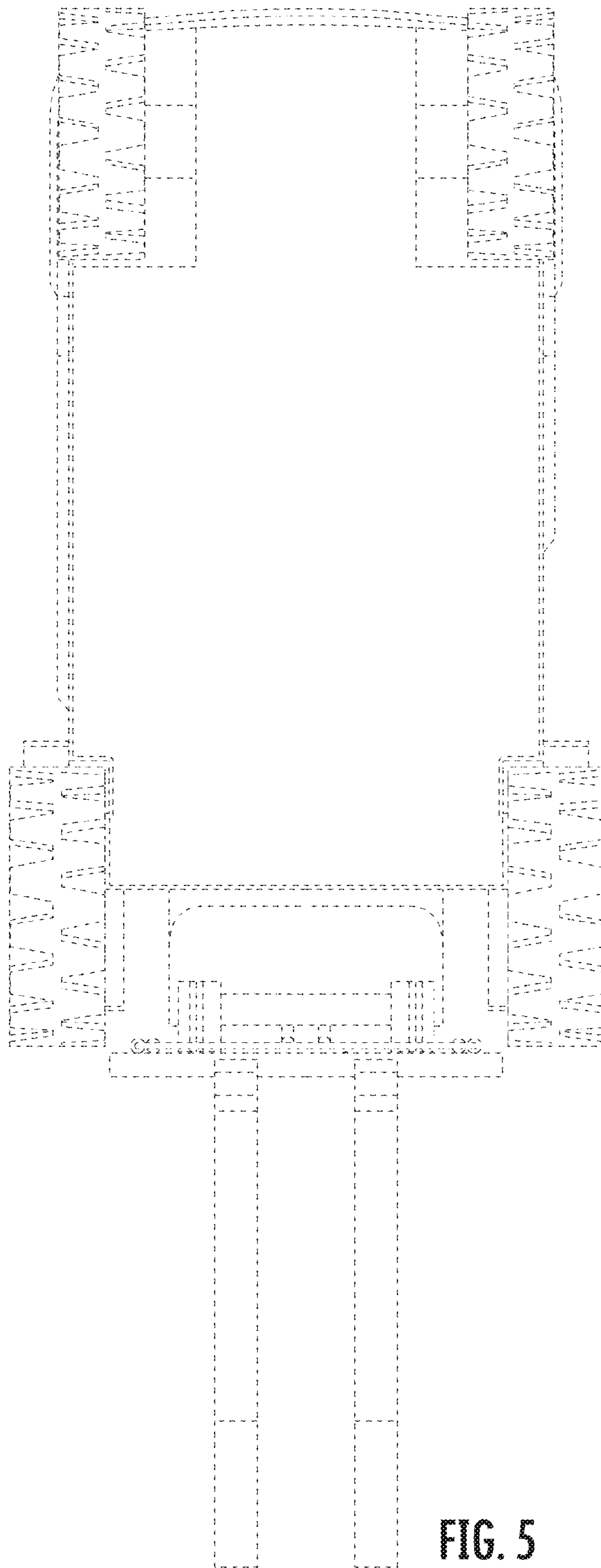


FIG. 5

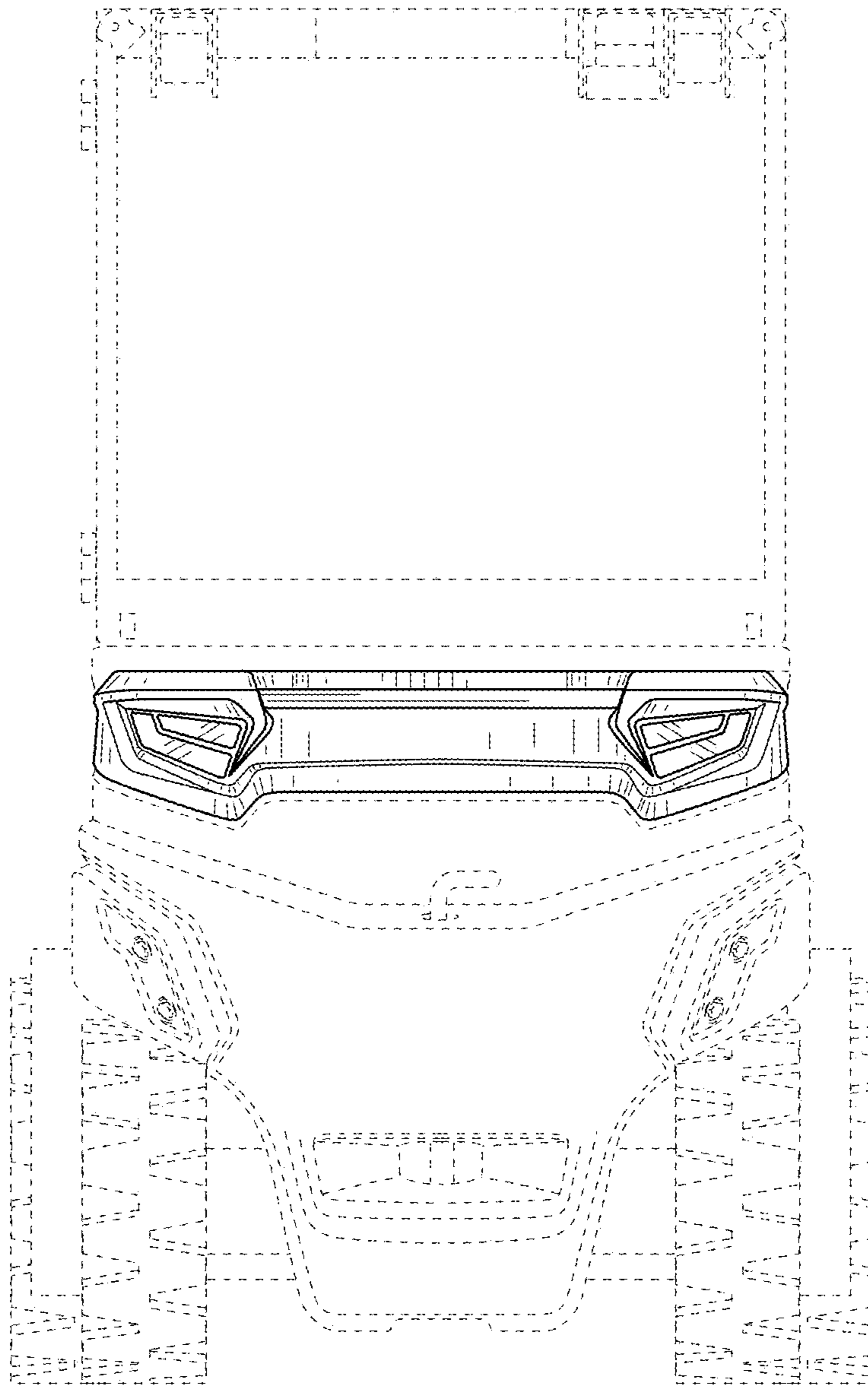


FIG. 6

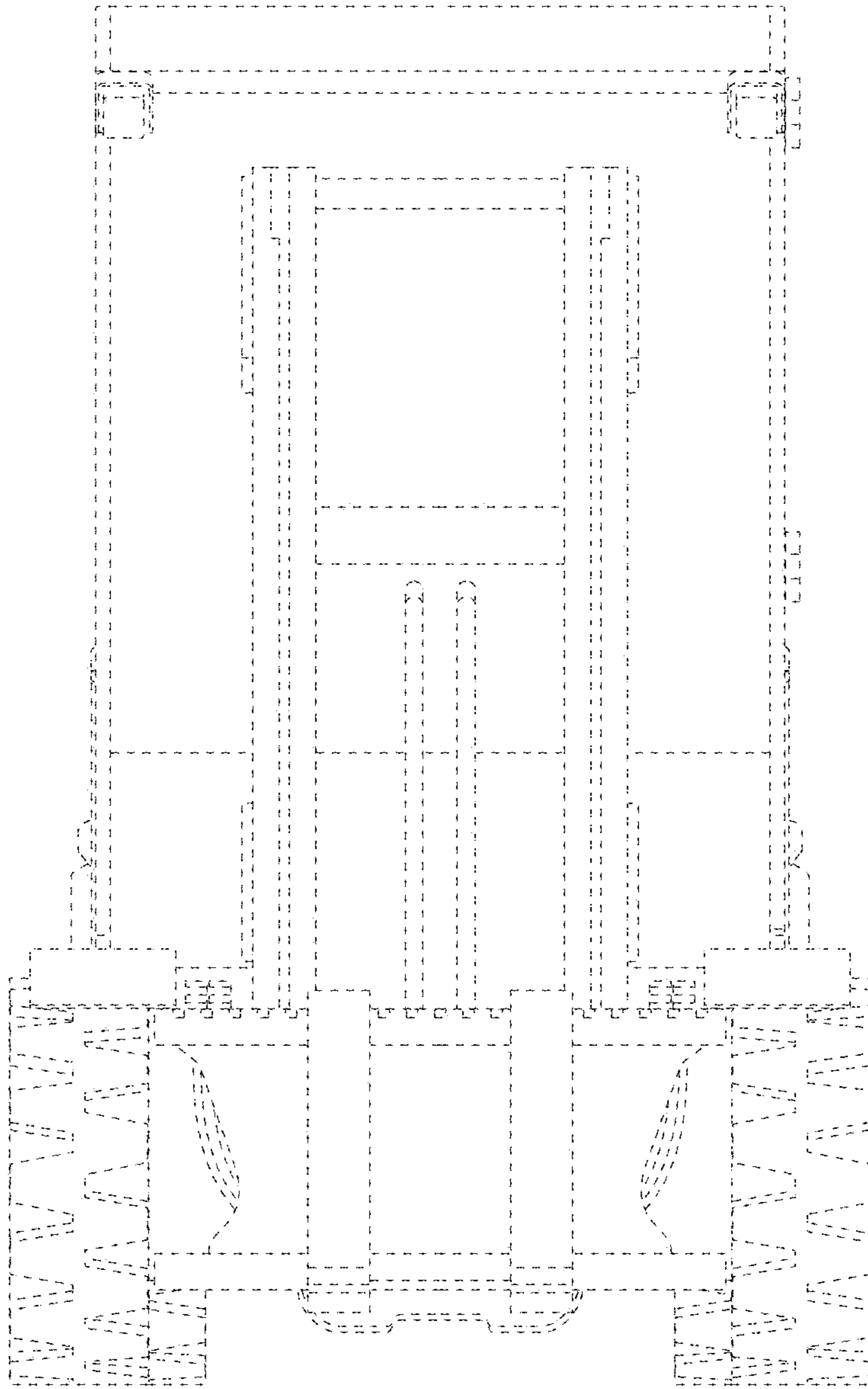


FIG. 7