



US00D940428S

(12) **United States Design Patent**  
**Li et al.**

(10) **Patent No.:** **US D940,428 S**

(45) **Date of Patent:** **\*\* Jan. 4, 2022**

(54) **FORKLIFT**

(71) Applicant: **Hangzhou Hikrobot Technology Co., Ltd.**, Hangzhou (CN)

(72) Inventors: **Kongxin Li**, Hangzhou (CN); **Jialong Gao**, Hangzhou (CN); **Lan Xue**, Hangzhou (CN)

(73) Assignee: **Hangzhou Hikrobot Technology Co., Ltd.**, Hangzhou (CN)

(\*\*) Term: **15 Years**

(21) Appl. No.: **29/688,116**

(22) Filed: **Apr. 18, 2019**

(30) **Foreign Application Priority Data**

Oct. 22, 2018 (CN) ..... 201830589403.3

(51) **LOC (13) Cl.** ..... **12-05**

(52) **U.S. Cl.**  
USPC ..... **D34/34**

(58) **Field of Classification Search**  
USPC ..... D34/12-20, 23-28, 33-35, 37; D15/10,  
D15/23-33; D12/86, 90-92, 106, 163,  
D12/164, 169, 171, 196, 216  
(Continued)

(56) **References Cited**

**U.S. PATENT DOCUMENTS**

D725,338 S \* 3/2015 Pulskamp ..... D34/34  
D859,775 S \* 9/2019 Nilsson ..... D34/34  
(Continued)

**OTHER PUBLICATIONS**

Hikrobot, announced 2020 [online], [site visited Jul. 1, 2020]. Available from internet, URL: <https://en.hikrobotics.com/robot/robotinfo.htm?oid=3953> (Year: 2020).\*

*Primary Examiner* — Kevin K Rudzinski

*Assistant Examiner* — Tamara L Hahn

(74) *Attorney, Agent, or Firm* — Clements Bernard Baratta; Lawrence A. Baratta, Jr.

(57) **CLAIM**

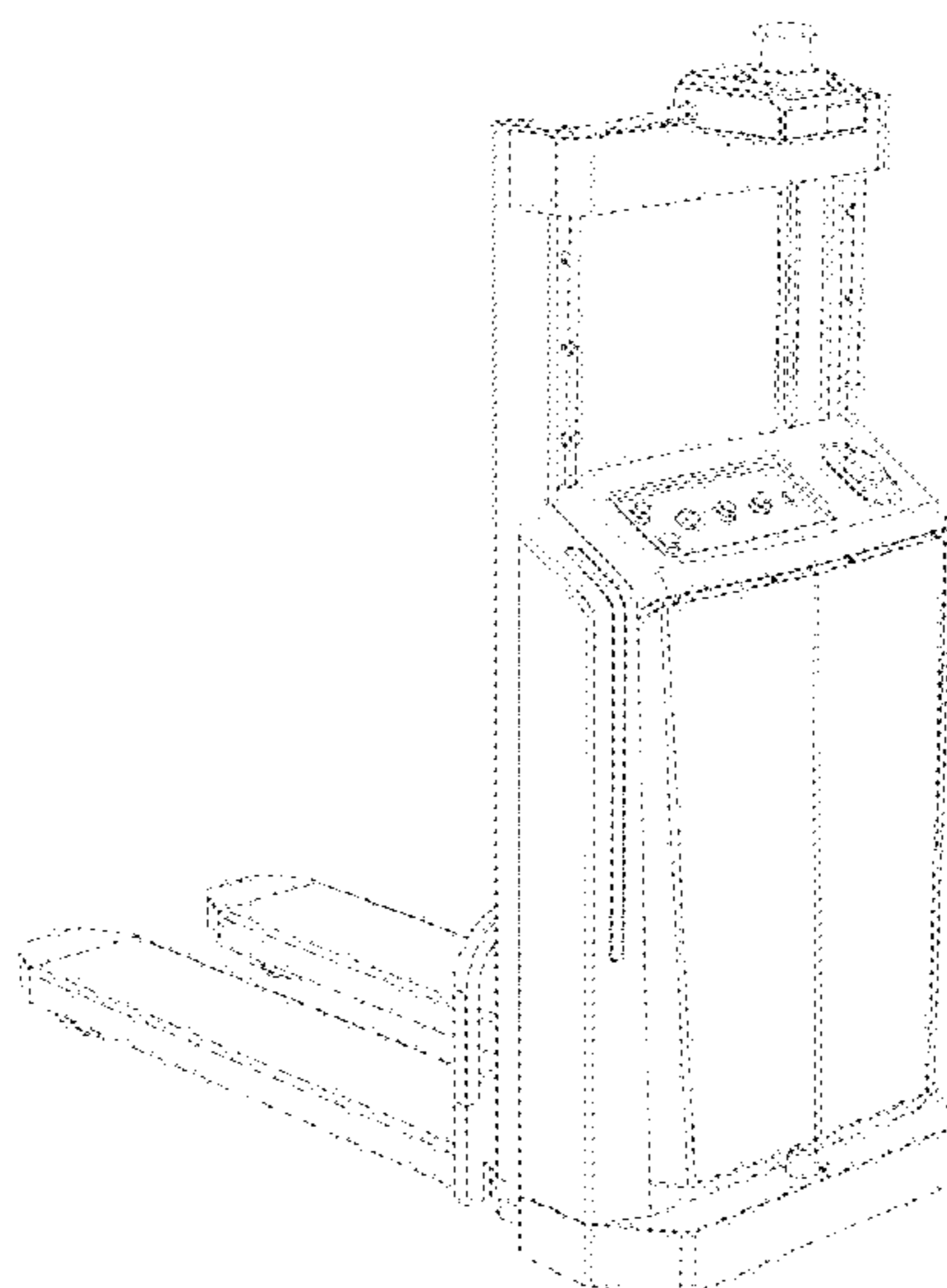
The ornamental design for a forklift, as shown and described.

**DESCRIPTION**

FIG. 1 is a front elevation view of a forklift according to a first embodiment of our new design; FIG. 2 is a back elevation view of the forklift shown in FIG. 1; FIG. 3 is a left side elevation view of the forklift shown in FIG. 1; FIG. 4 is a right side elevation view of the forklift shown in FIG. 1; FIG. 5 is a top plan view of the forklift shown in FIG. 1; FIG. 6 is a perspective view of the forklift shown in FIG. 1; FIG. 7 is another perspective view of the forklift shown in FIG. 1; FIG. 8 is a front elevation view of a forklift according to a second embodiment of our new design; FIG. 9 is a back elevation view of the forklift shown in FIG. 8; FIG. 10 is a left side elevation view of the forklift shown in FIG. 8; FIG. 11 is a right side elevation view of the forklift shown in FIG. 8; FIG. 12 is a top plan view of the forklift shown in FIG. 8; FIG. 13 is a perspective view of the forklift shown in FIG. 8; and, FIG. 14 is another perspective view of the forklift shown in FIG. 8.

The broken lines in the drawings showing the chain depict portions of the forklift which form no part of the claimed design.

**1 Claim, 11 Drawing Sheets**



(58) **Field of Classification Search**

CPC ..... B60R 19/02; B60R 19/04; B60R 19/18;  
B60R 19/24; B60R 19/56; B60R  
2019/007; B62D 25/08; B60D 1/00;  
B60D 1/01; B60D 1/06; B60D 1/065;  
B60P 1/00; B60P 1/50; B60P 1/483;  
B66F 9/06; B66F 9/24; B66F 9/0755;  
B66F 9/07572; B66C 23/00

See application file for complete search history.

(56) **References Cited**

U.S. PATENT DOCUMENTS

D895,221 S \* 9/2020 Nilsson ..... D34/34  
2020/0262690 A1\* 8/2020 Okroy ..... B66F 9/24

\* cited by examiner

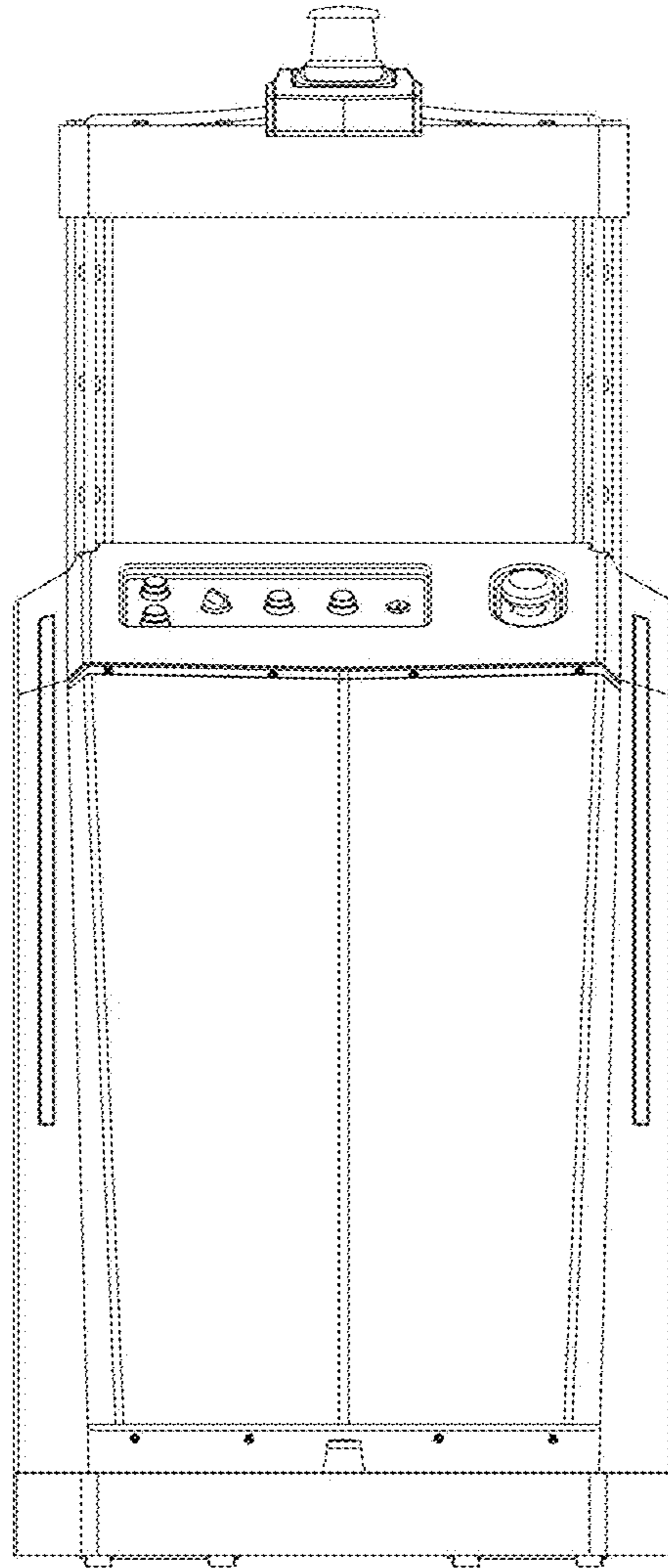


FIG. 1

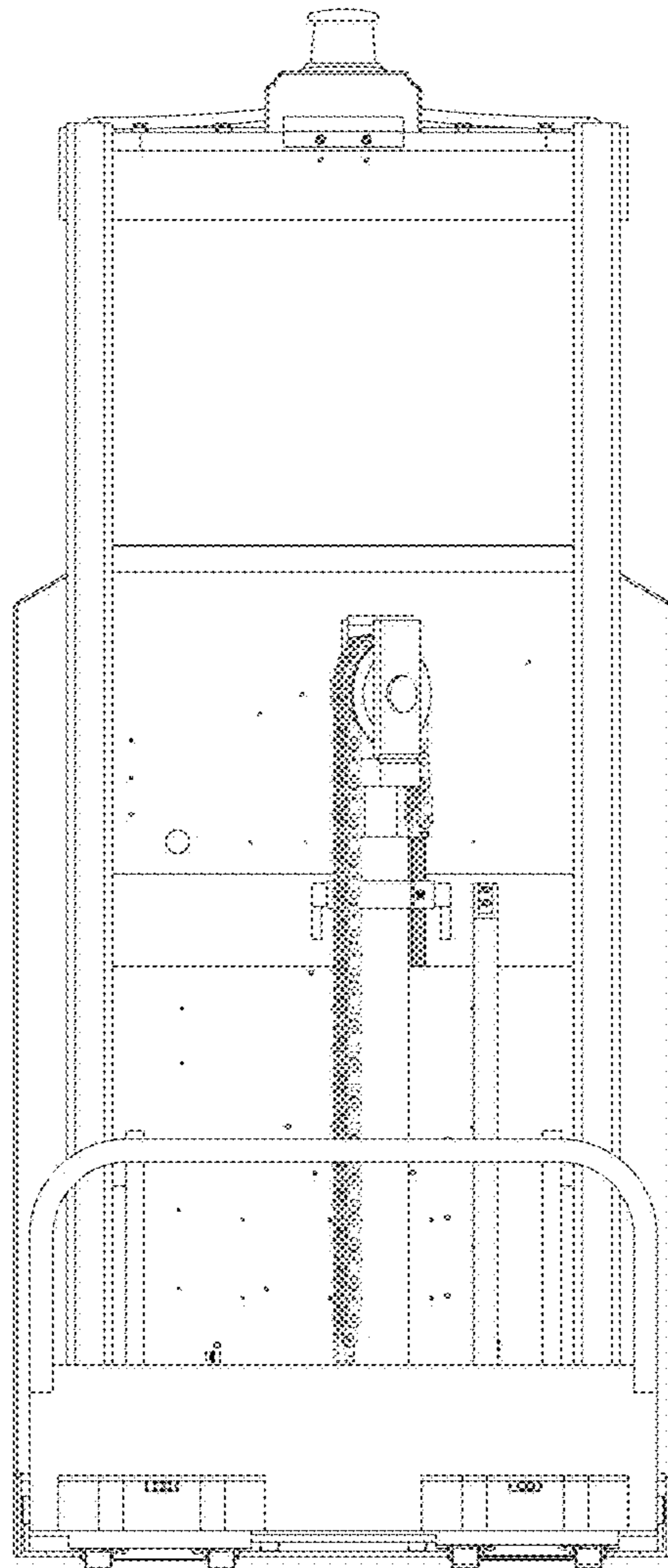


FIG. 2

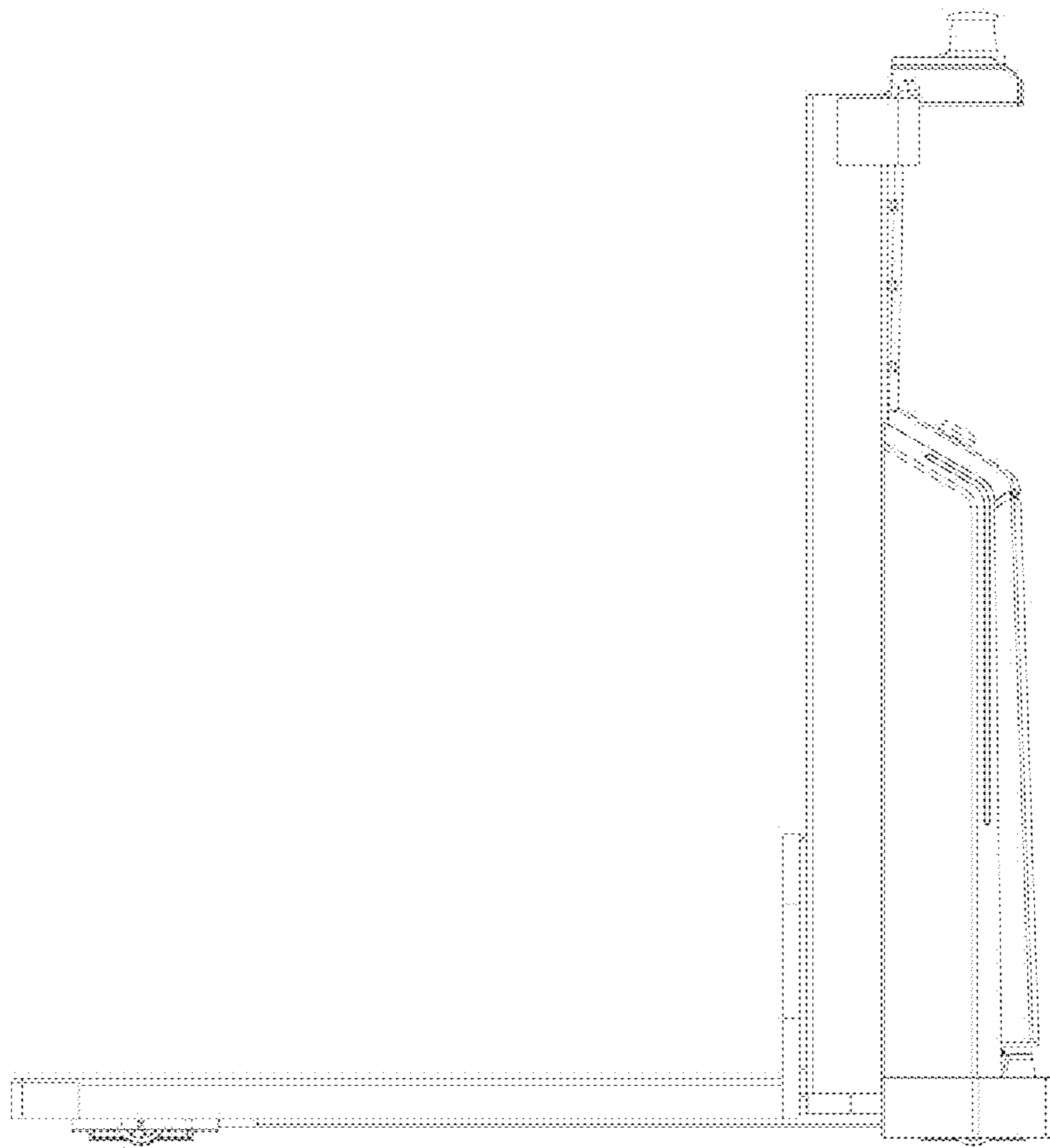


FIG. 3

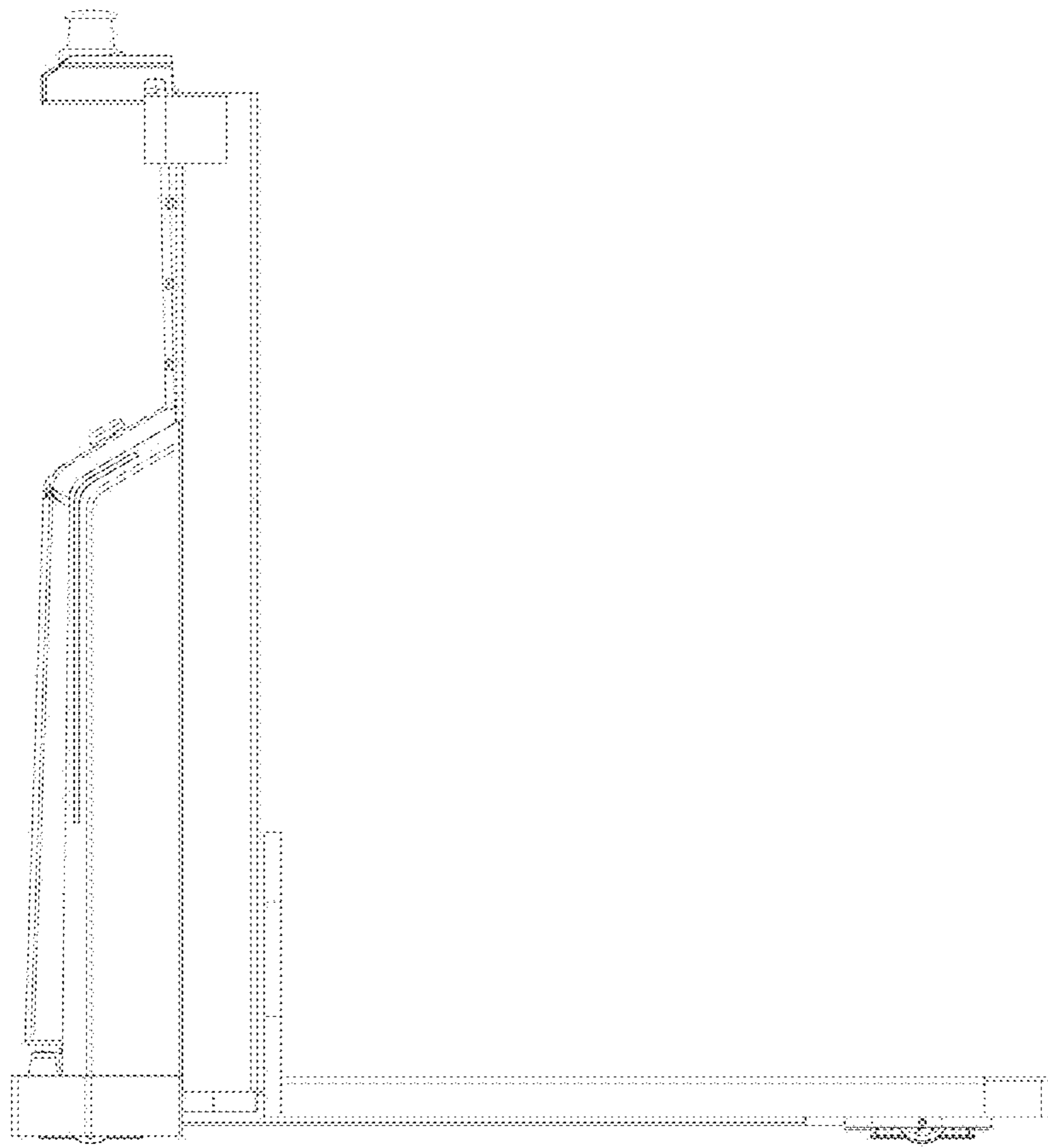


FIG. 4

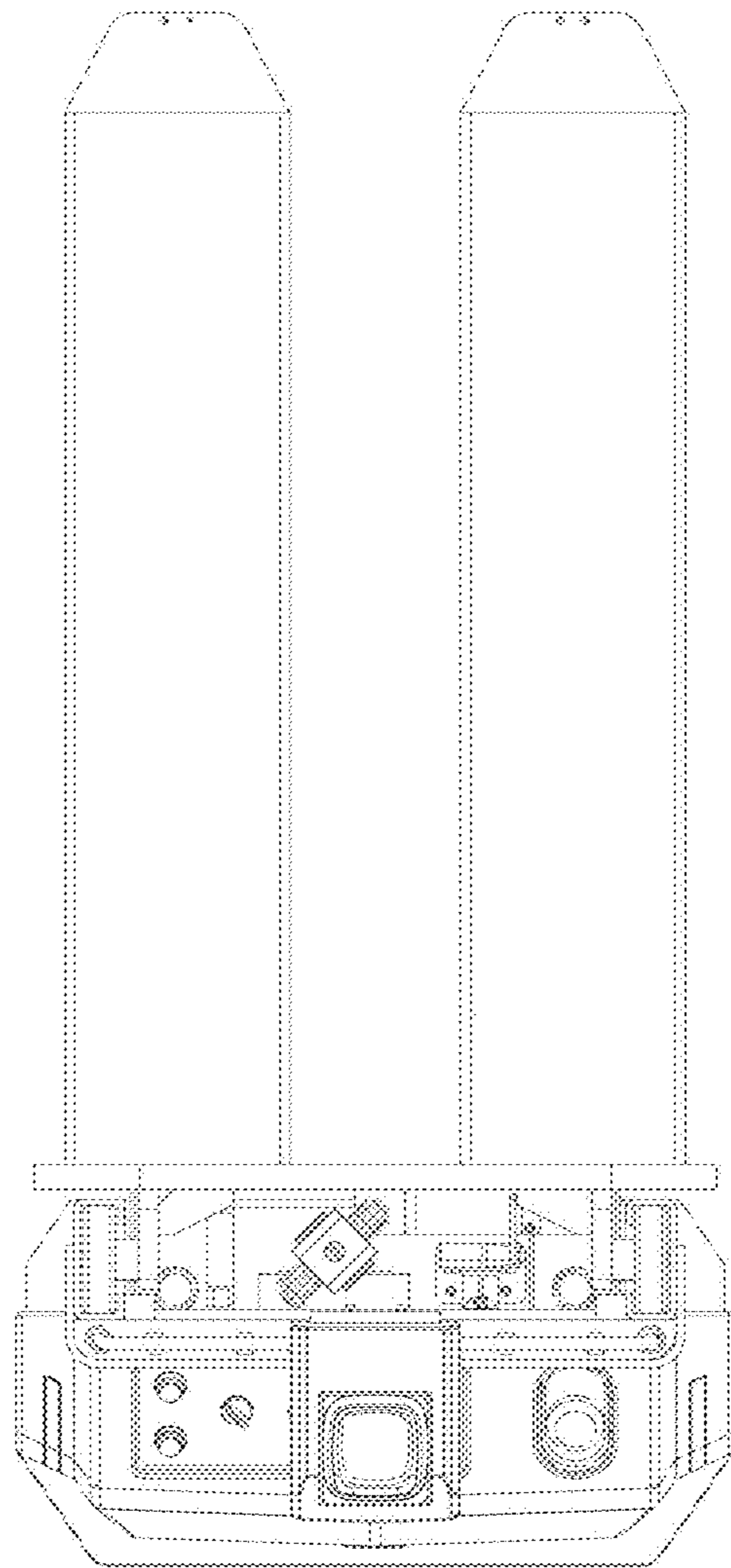


FIG. 5

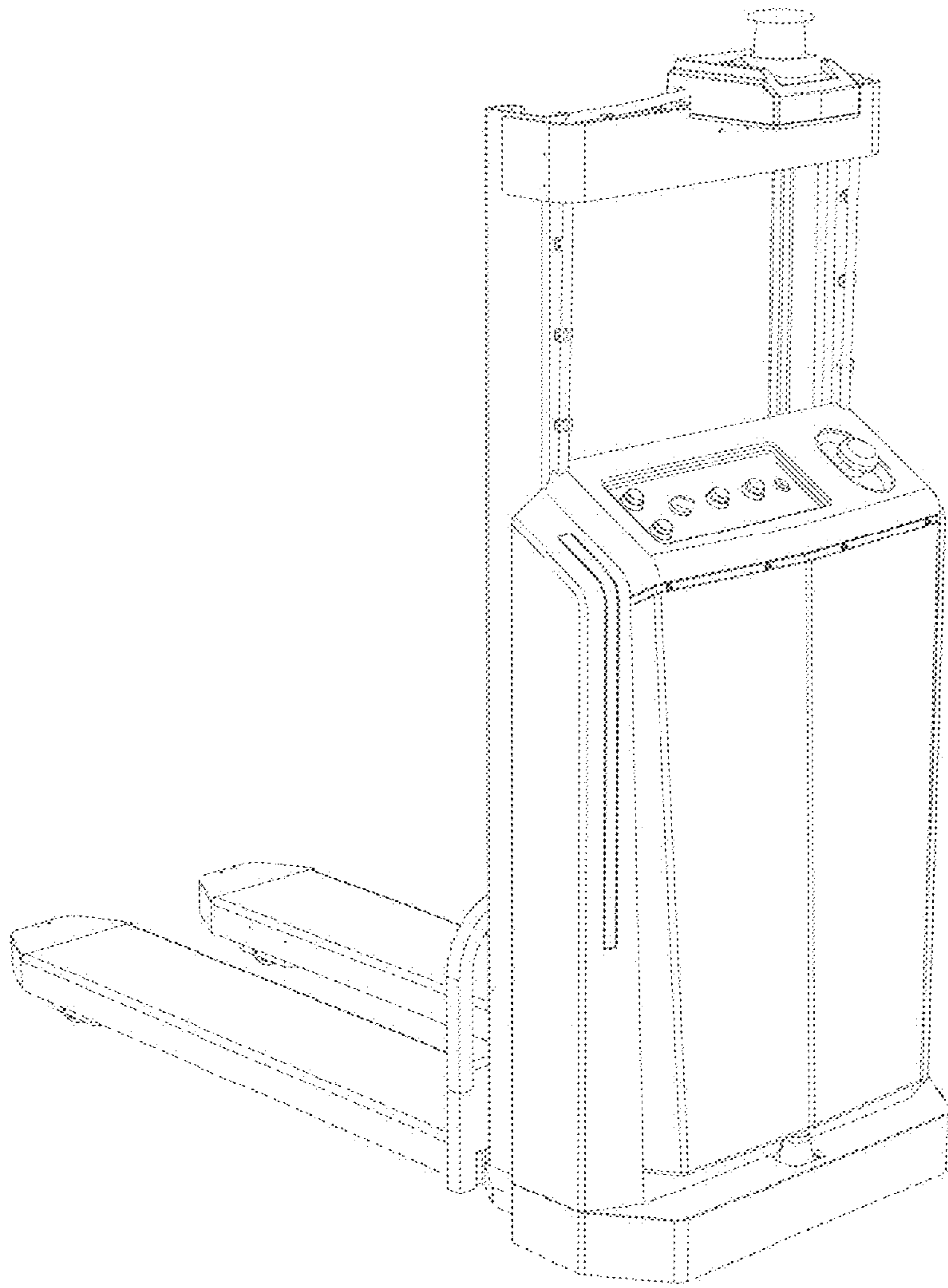


FIG. 6



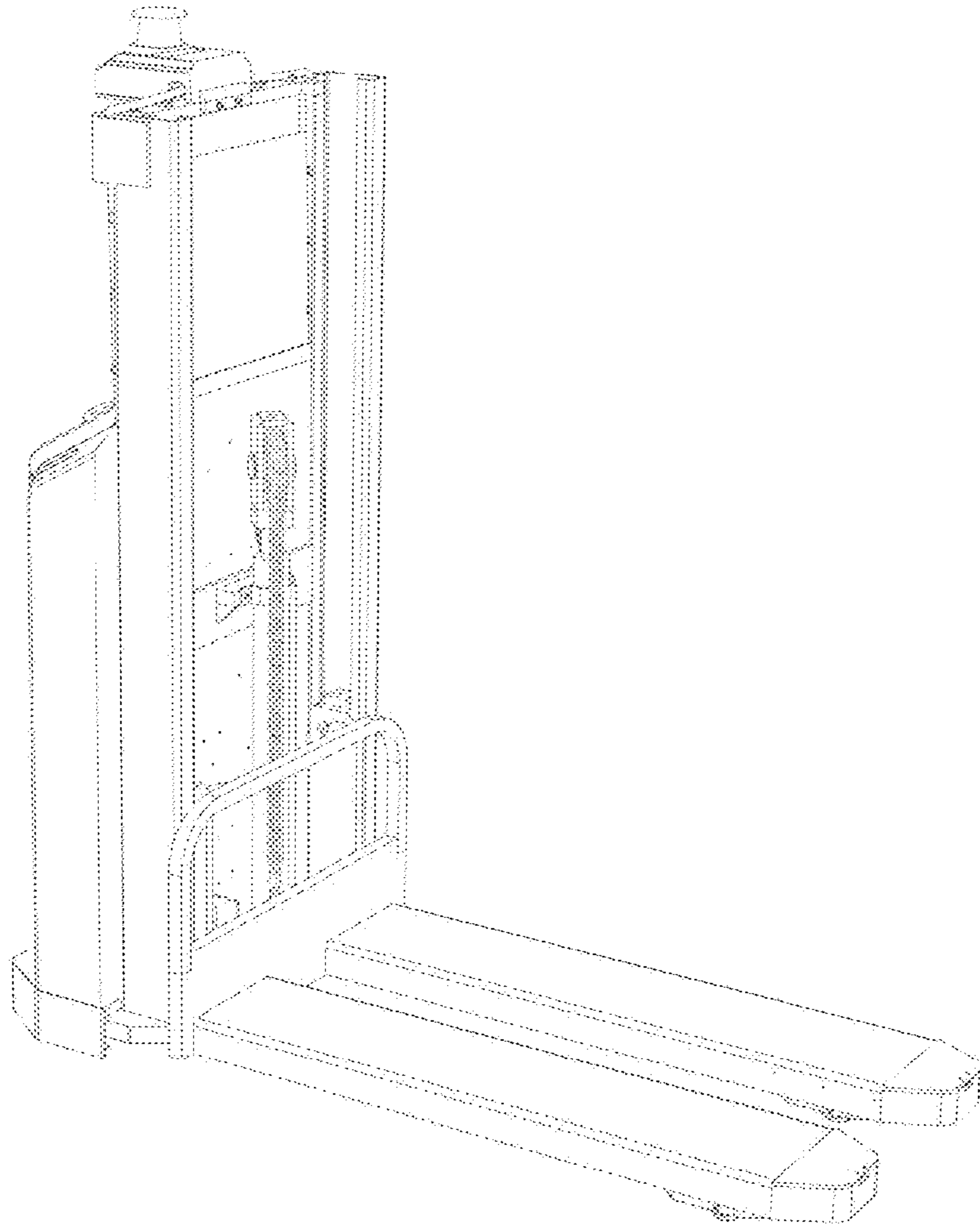


FIG. 7

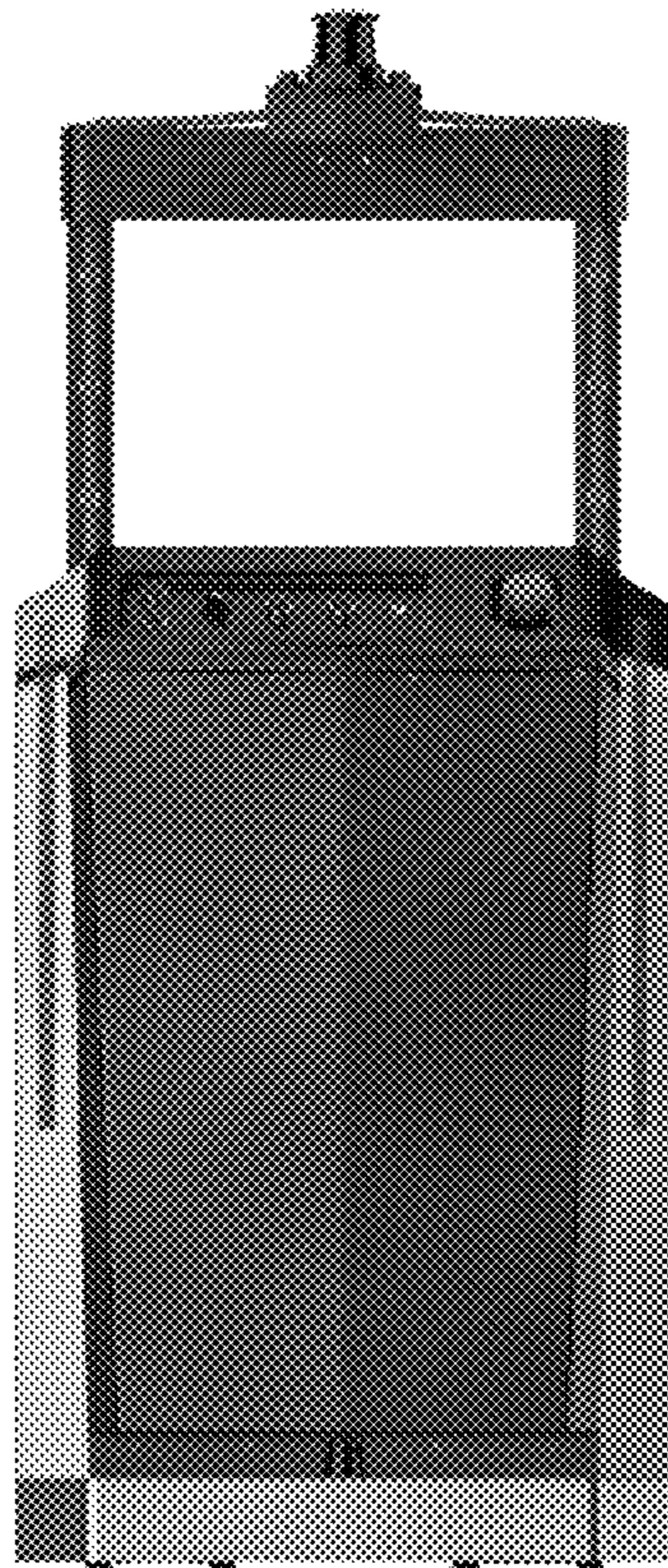


FIG. 8

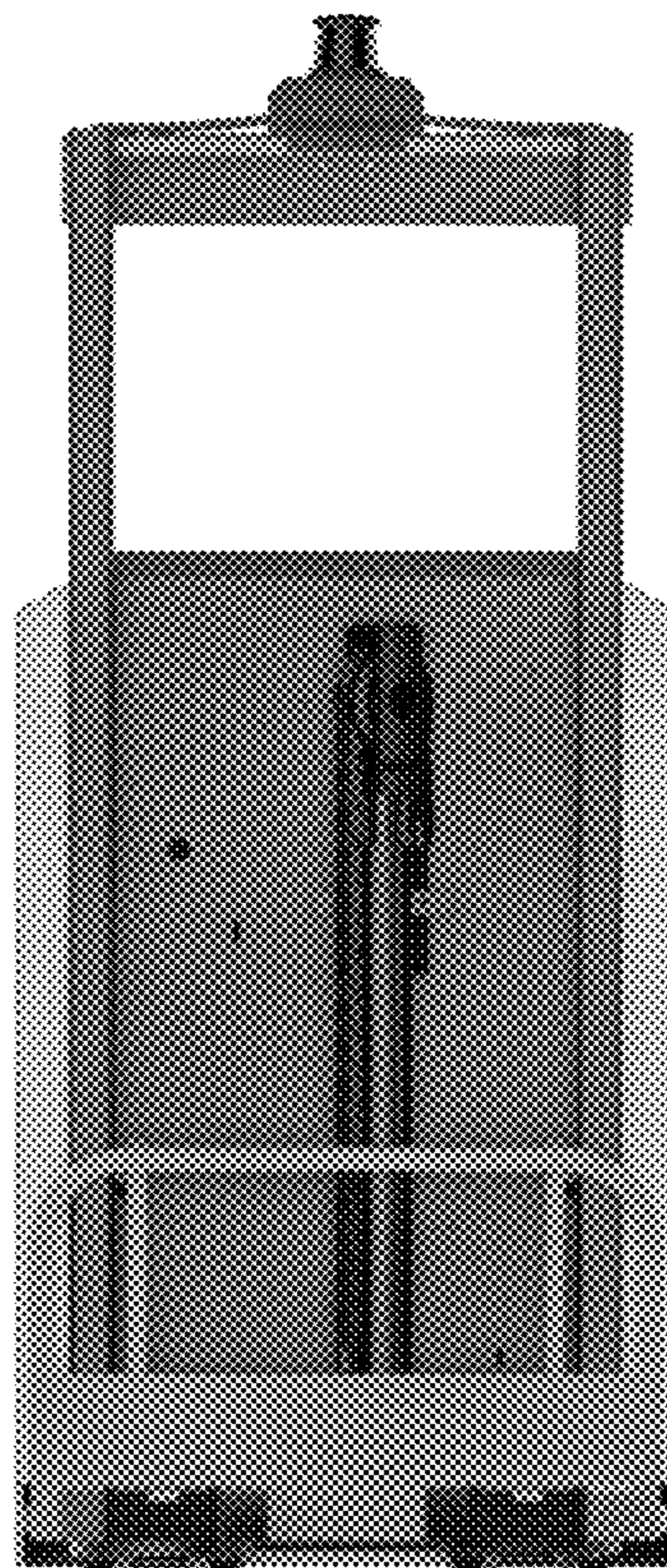


FIG. 9

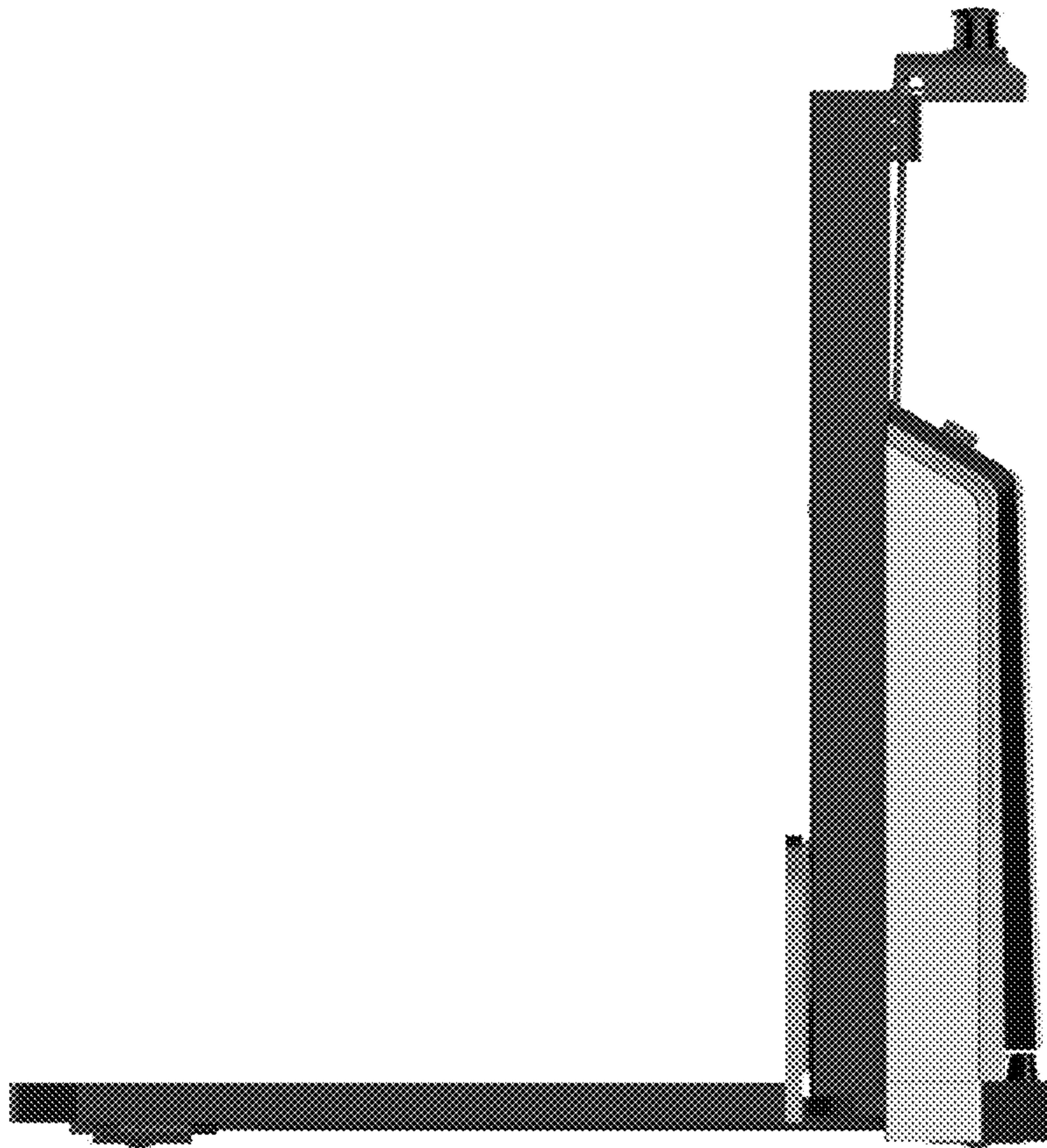


FIG. 10

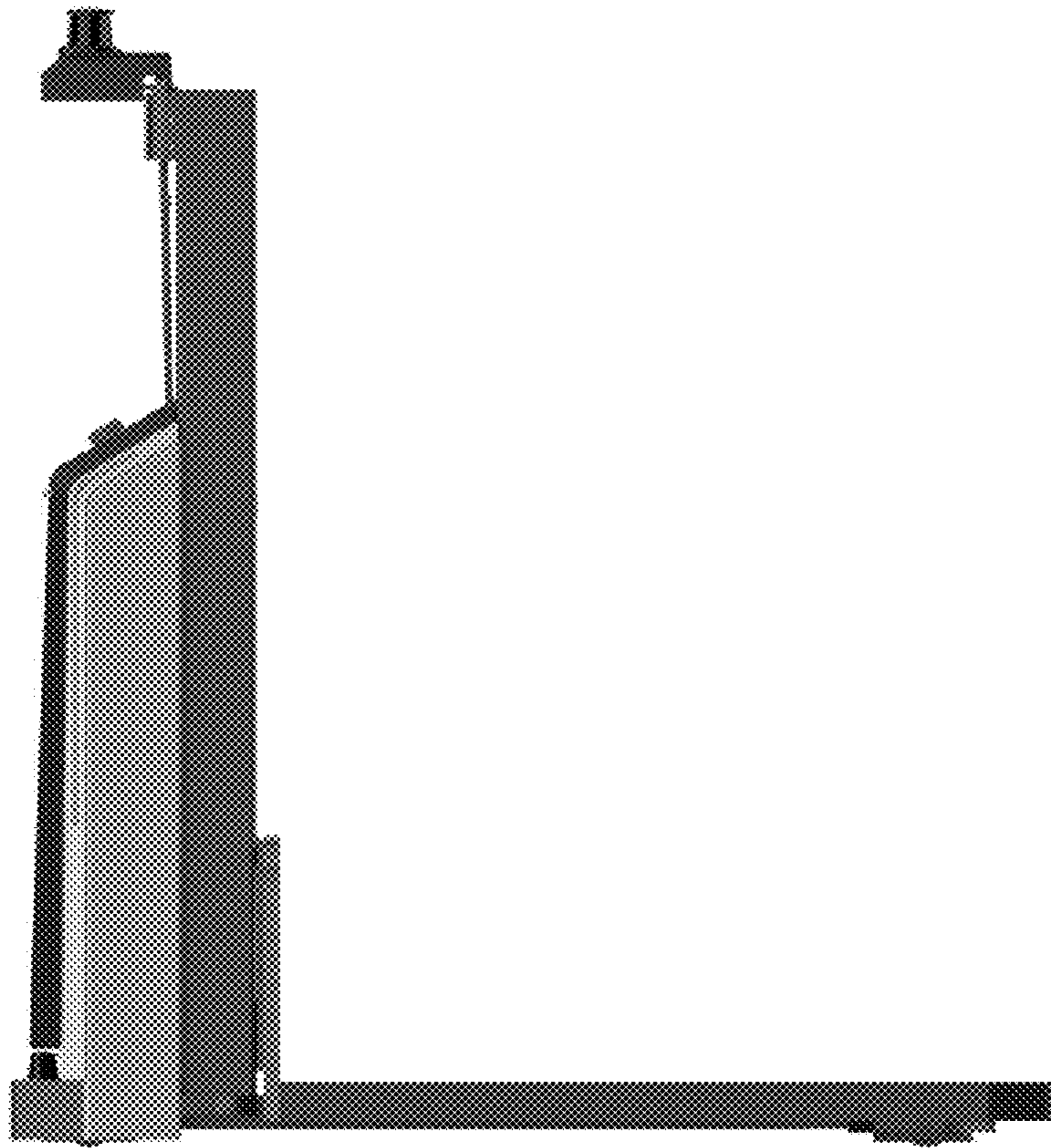


FIG. 11

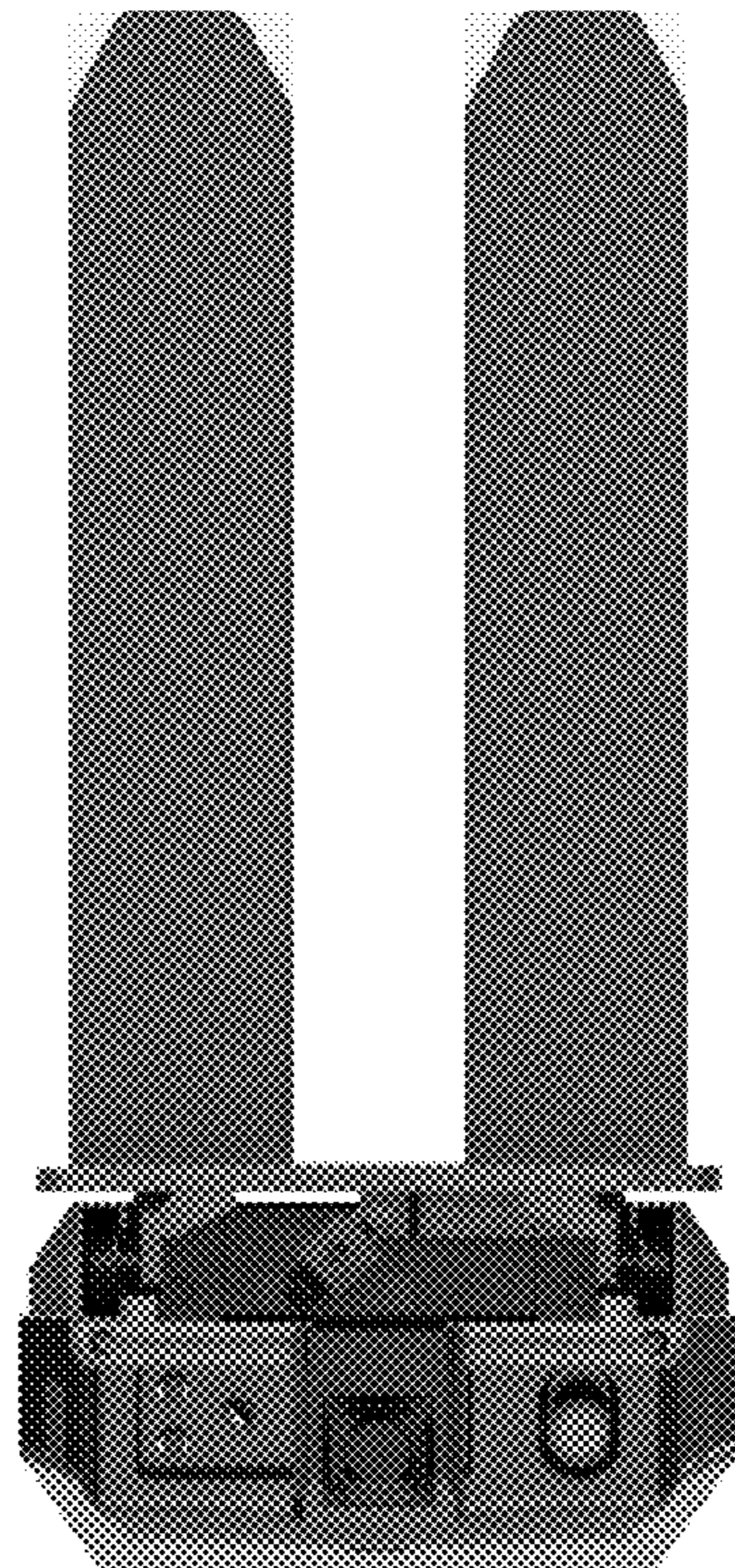


FIG. 12

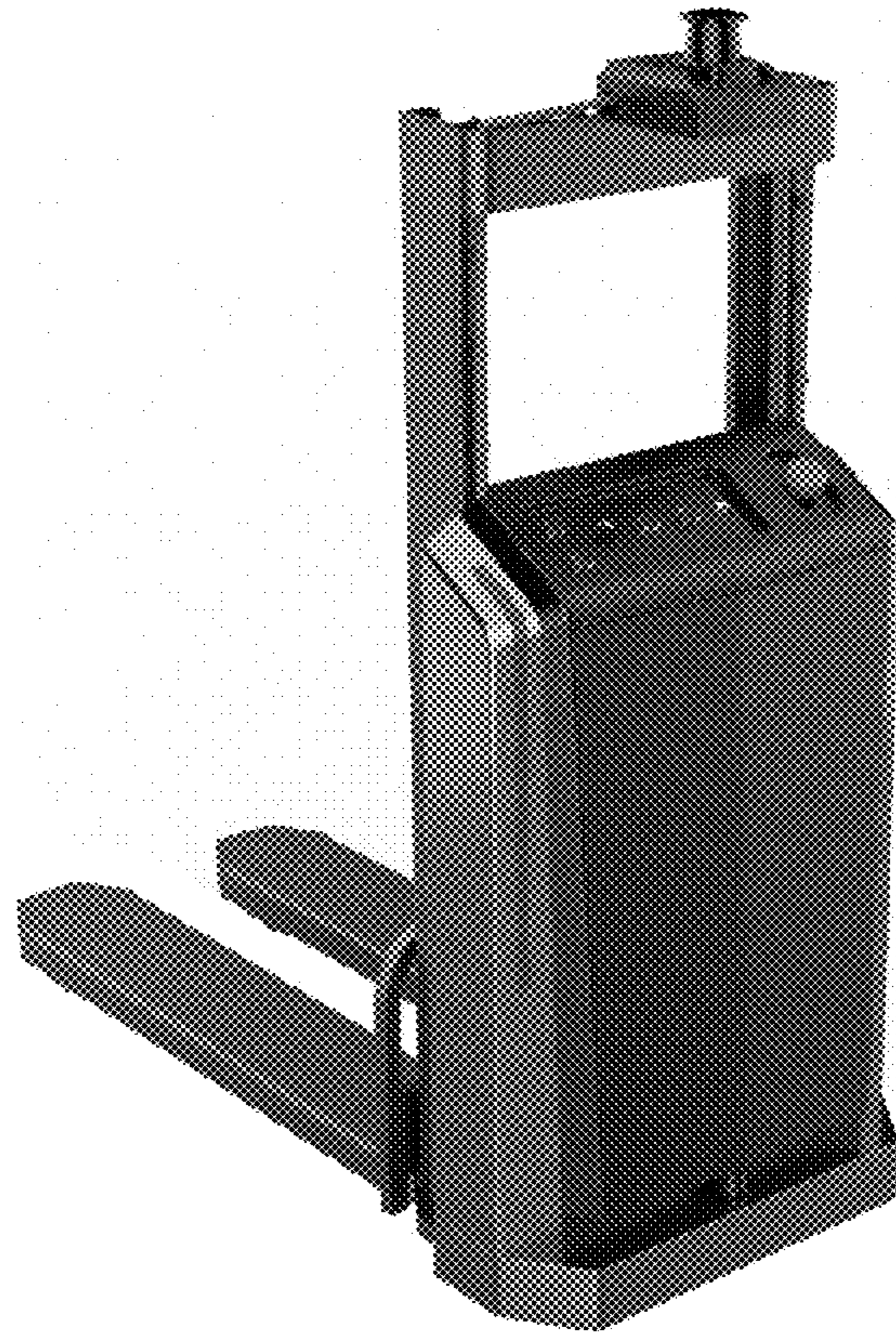


FIG. 13

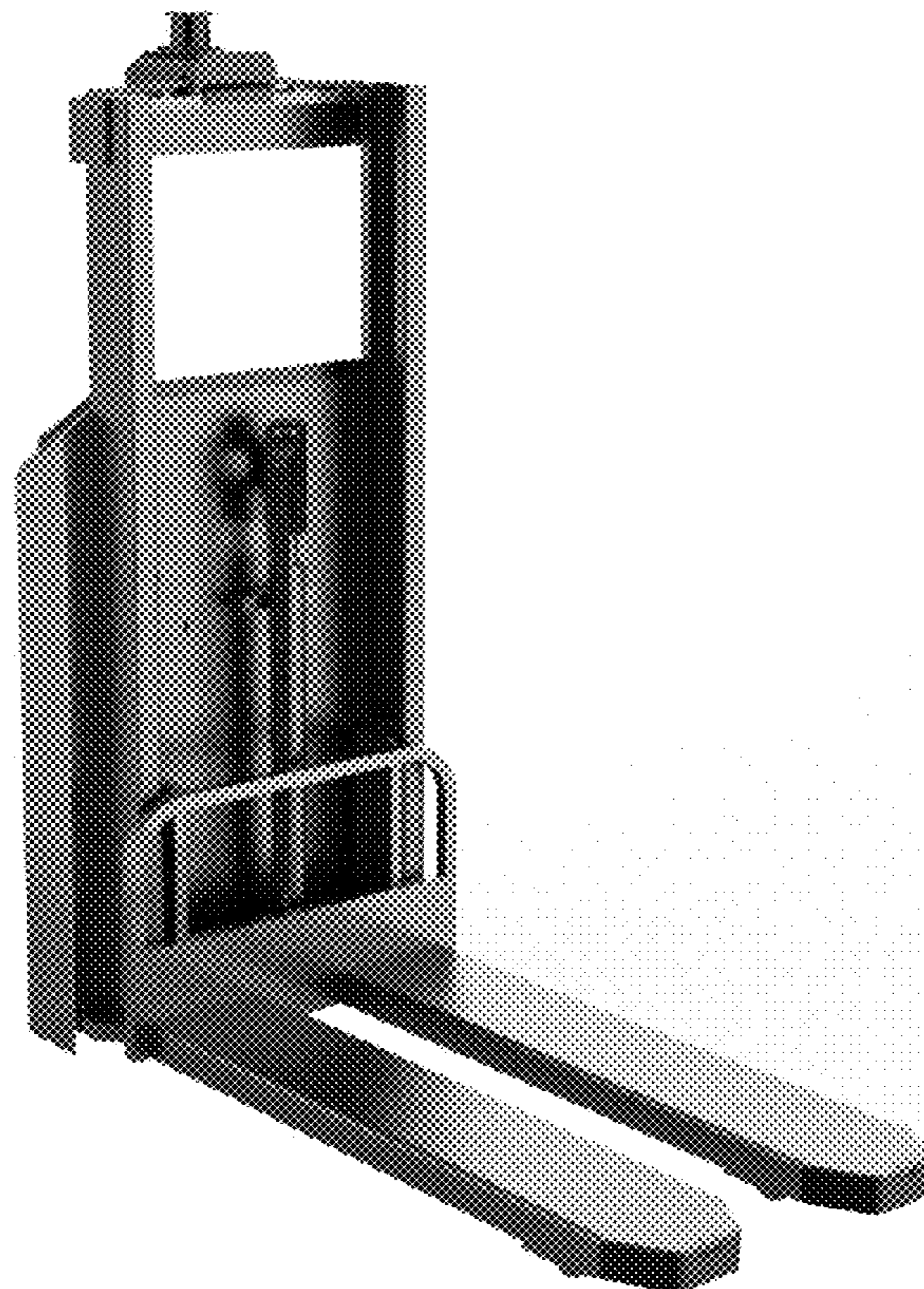


FIG. 14