



US00D940427S

(12) **United States Design Patent** (10) **Patent No.:** **US D940,427 S**
Kasai (45) **Date of Patent:** **** Jan. 4, 2022**

(54) **ELECTRIC CHAIN BLOCK**

FOREIGN PATENT DOCUMENTS

(71) Applicant: **KITO CORPORATION**, Yamanashi (JP)

EM 305972650 * 8/2020
IN 328800-001-0001 * 7/2021

(72) Inventor: **Takayuki Kasai**, Yamanashi (JP)

OTHER PUBLICATIONS

(73) Assignee: **KITO CORPORATION**, Yamanashi (JP)

Harrington Chain Block, announced 2021 [online], [site visited Aug. 19, 2021]. Available from internet, URL: <https://cranedepot.com/products/2-ton-harrington-ner-series-7-fpm-230-460v-three-phase> (Year: 2021).*

(**) Term: **15 Years**

(Continued)

(21) Appl. No.: **29/731,005**

Primary Examiner — George A Bugg

(22) Filed: **Apr. 10, 2020**

Assistant Examiner — Tamara L Hahn

(30) **Foreign Application Priority Data**

(74) *Attorney, Agent, or Firm* — Cantor Colburn LLP

Oct. 11, 2019 (JP) 2019-022813

(51) **LOC (13) Cl.** **12-05**

(52) **U.S. Cl.**
USPC **D34/33**

(58) **Field of Classification Search**
USPC D34/28–39; D12/162
CPC . B66D 1/12; B66D 1/005; B66D 1/00; B66D 1/14; B66D 3/006; E21B 19/06; E21B 19/16; E21B 19/08

See application file for complete search history.

(57) **CLAIM**

The ornamental design for an electric chain block, as shown and described.

DESCRIPTION

(56) **References Cited**

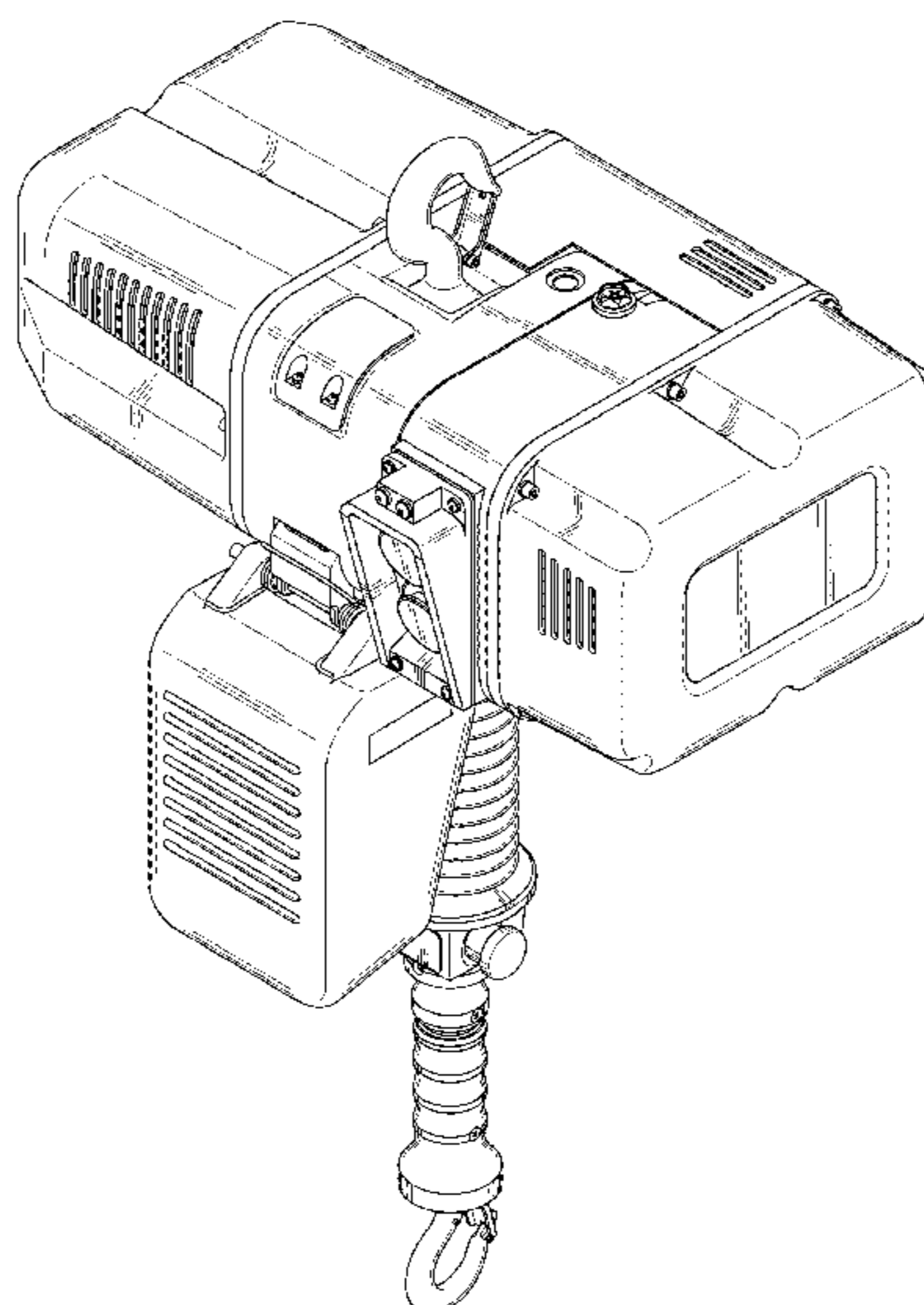
U.S. PATENT DOCUMENTS

D219,298 S * 11/1970 Ten Eyck D34/33
4,635,903 A * 1/1987 Broyden B66D 3/26
174/DIG. 12
D309,969 S * 8/1990 Tamura D34/28
D439,722 S * 3/2001 Huang D34/33
D524,508 S * 7/2006 Lichtenvort D34/33
D674,163 S * 1/2013 Tarkiainen D34/33
D677,853 S * 3/2013 Gans D34/33
D705,515 S * 5/2014 Bernard D34/33
D706,514 S * 6/2014 Weingartner D34/33

(Continued)

FIG. 1 is a rear perspective view of a first embodiment of an electric chain block;
FIG. 2 is a front perspective view of thereof;
FIG. 3 is a front view thereof;
FIG. 4 is a rear view thereof;
FIG. 5 is a left side view thereof;
FIG. 6 is a right side view thereof;
FIG. 7 is a top plan view thereof;
FIG. 8 is a bottom plan view thereof;
FIG. 9 is a rear perspective view of a second embodiment of an electric chain block;
FIG. 10 is a front perspective view of thereof;
FIG. 11 is a front view thereof;
FIG. 12 is a rear view thereof;
FIG. 13 is a left side view thereof;
FIG. 14 is a right side view thereof;
FIG. 15 is a top plan view thereof; and,
FIG. 16 is a bottom plan view thereof.

1 Claim, 16 Drawing Sheets



(56)

References Cited

U.S. PATENT DOCUMENTS

D744,188 S * 11/2015 van der Zijde D34/33
D764,139 S * 8/2016 Tsai D34/33
D819,922 S * 6/2018 Bernard D34/33
D867,712 S * 11/2019 Huang D34/33
D926,418 S * 7/2021 Johansson D34/35
2011/0215285 A1* 9/2011 Akhavein B66D 3/006
254/344
2015/0090946 A1* 4/2015 Schwaiger B66D 3/20
254/362

OTHER PUBLICATIONS

Coffing Hoists Direct, announced 2021 [online], [site visited Aug. 19, 2021]. Available from internet, URL: <https://www.hoistsdirect.com/shop/134> (Year: 2021).*

* cited by examiner

FIG. 1

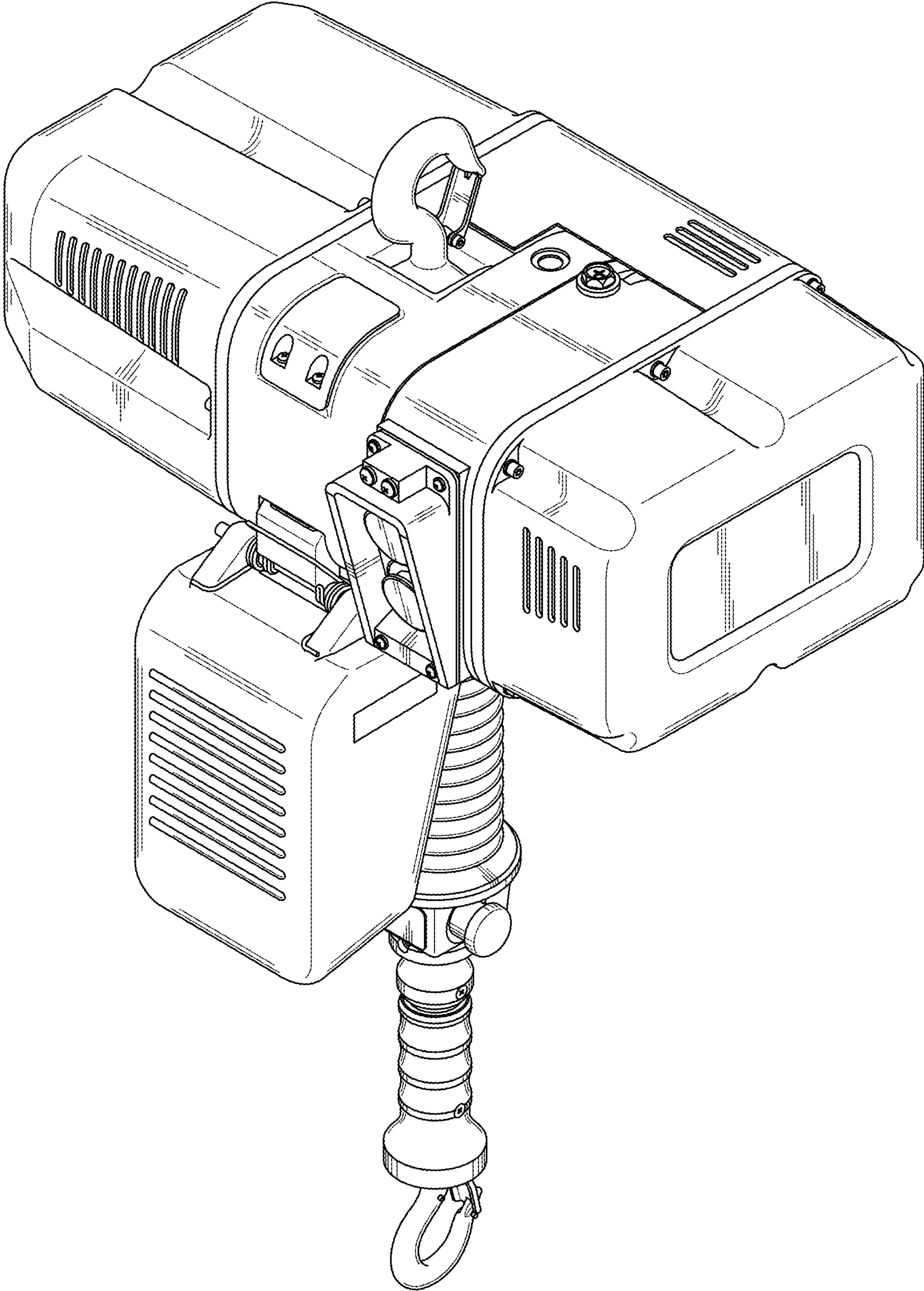


FIG. 2

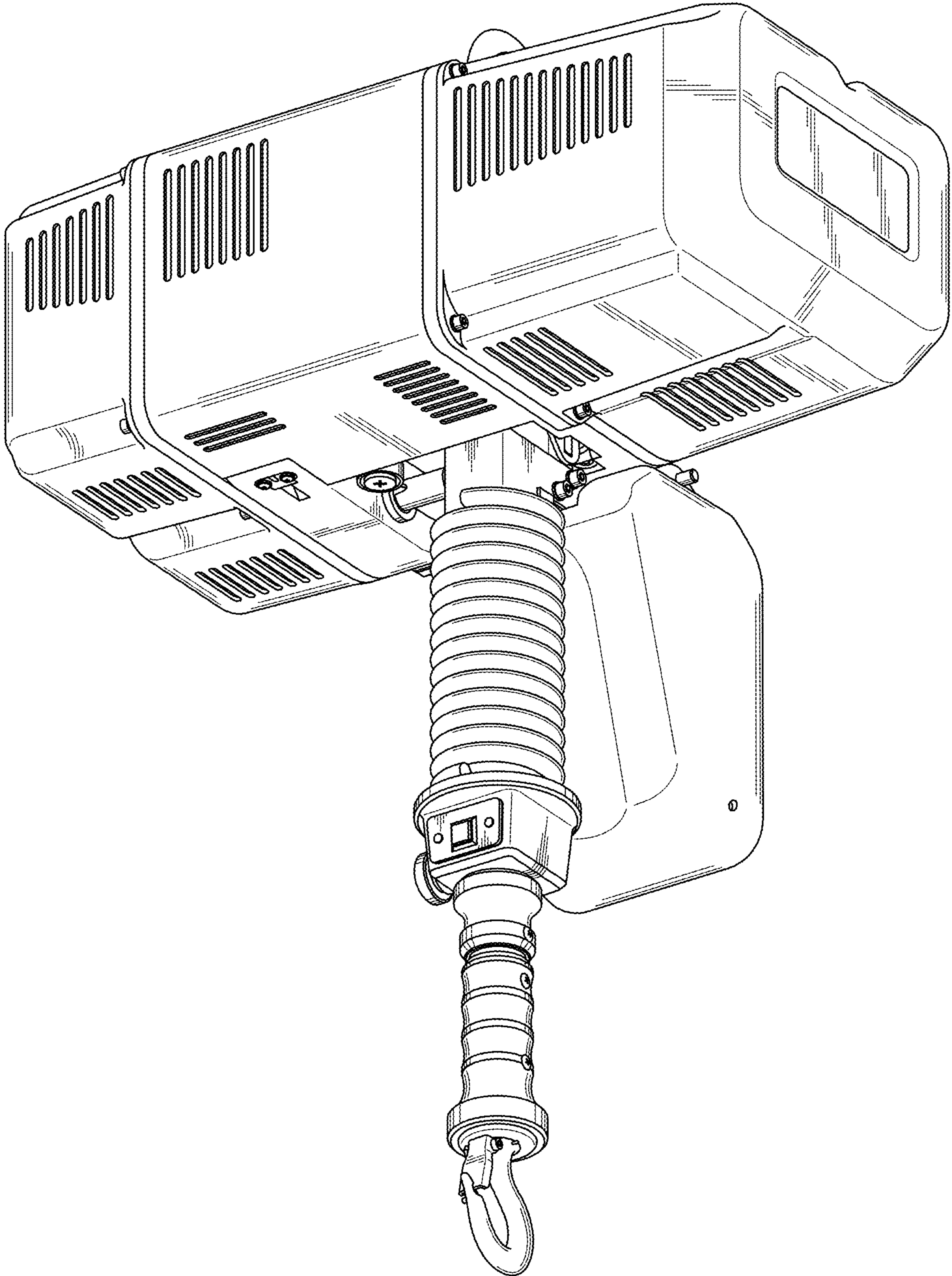


FIG. 3

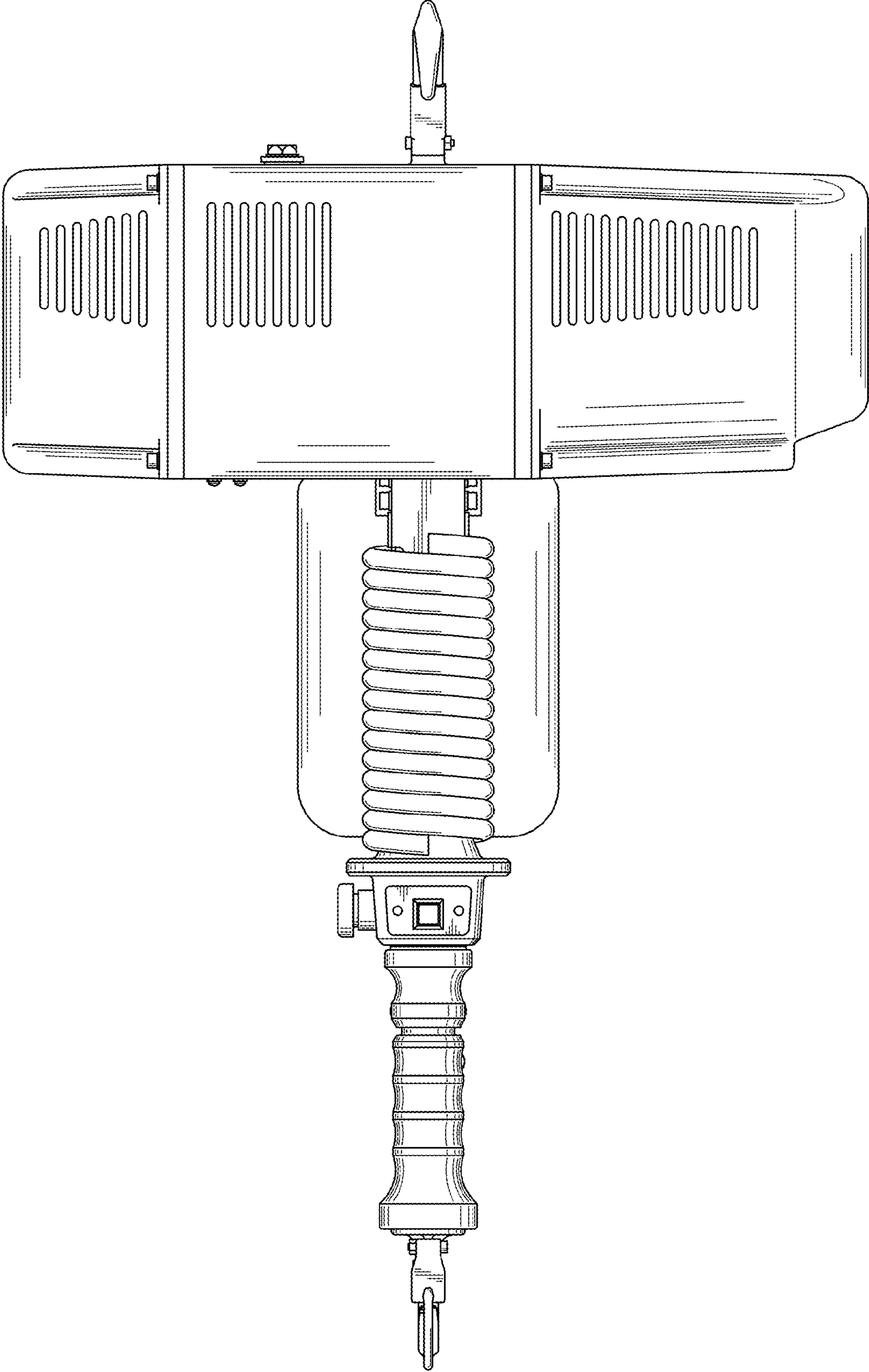


FIG. 4

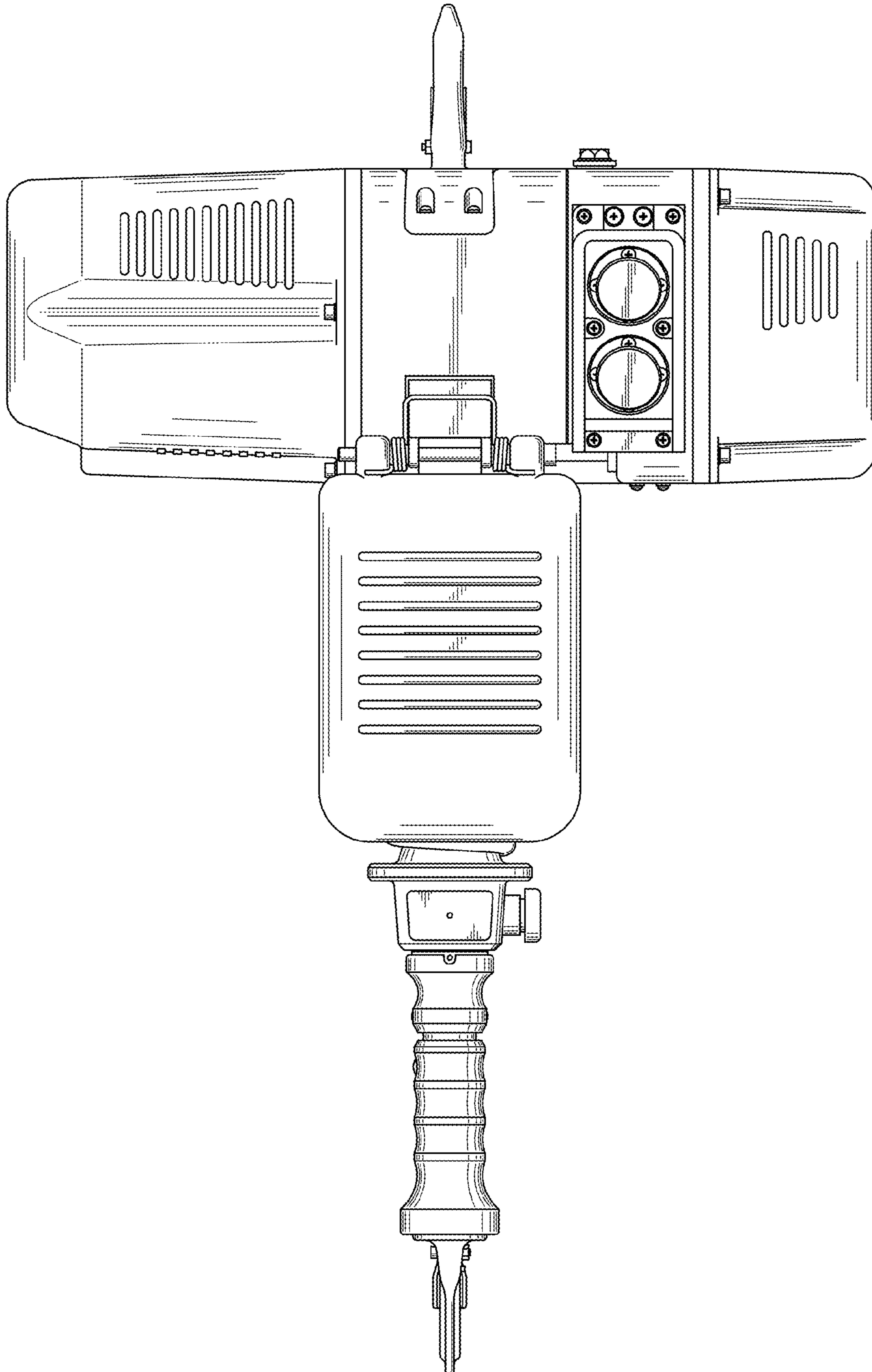


FIG. 5

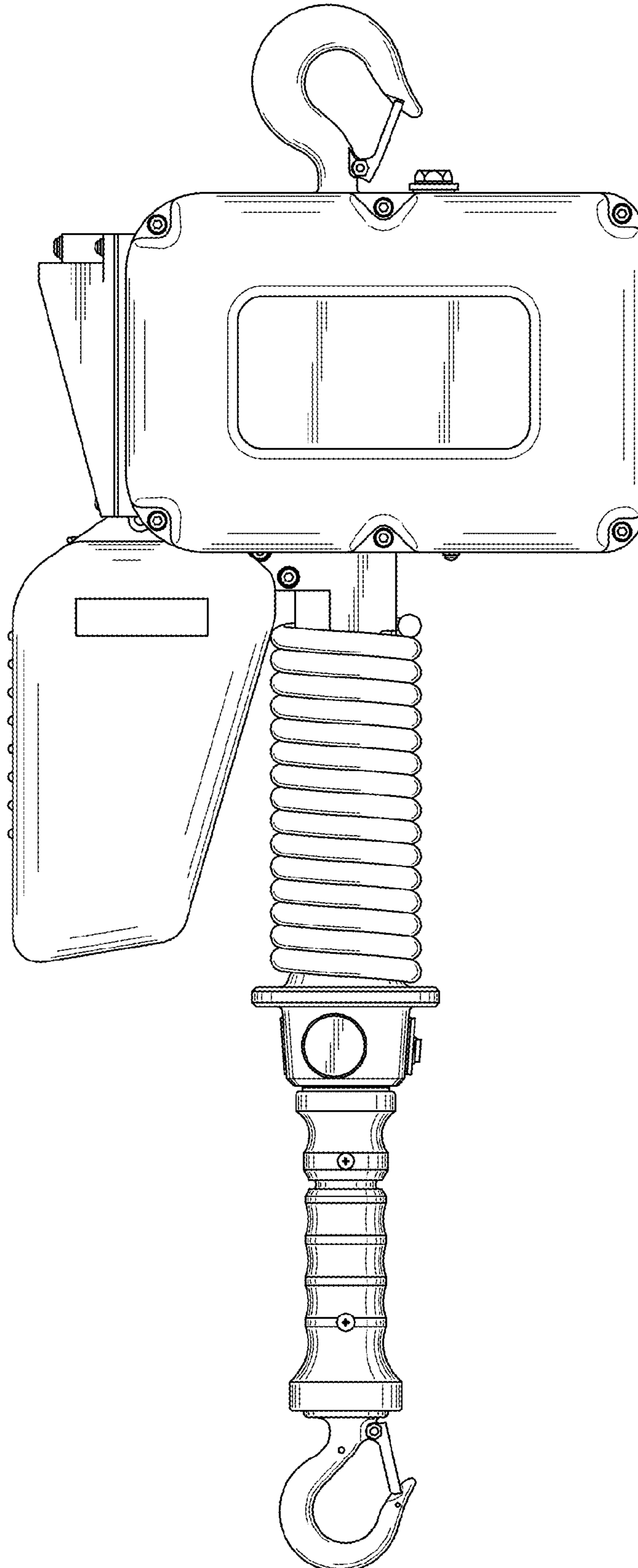


FIG. 6

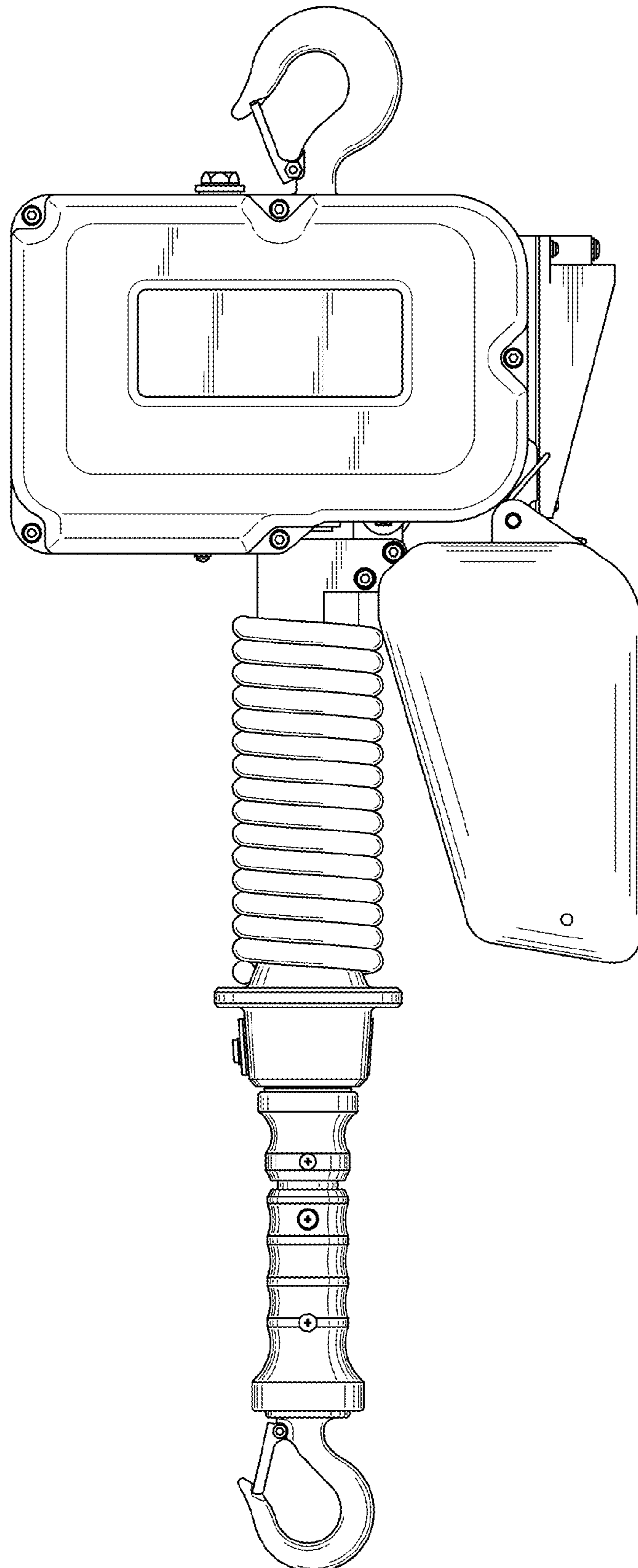


FIG. 7

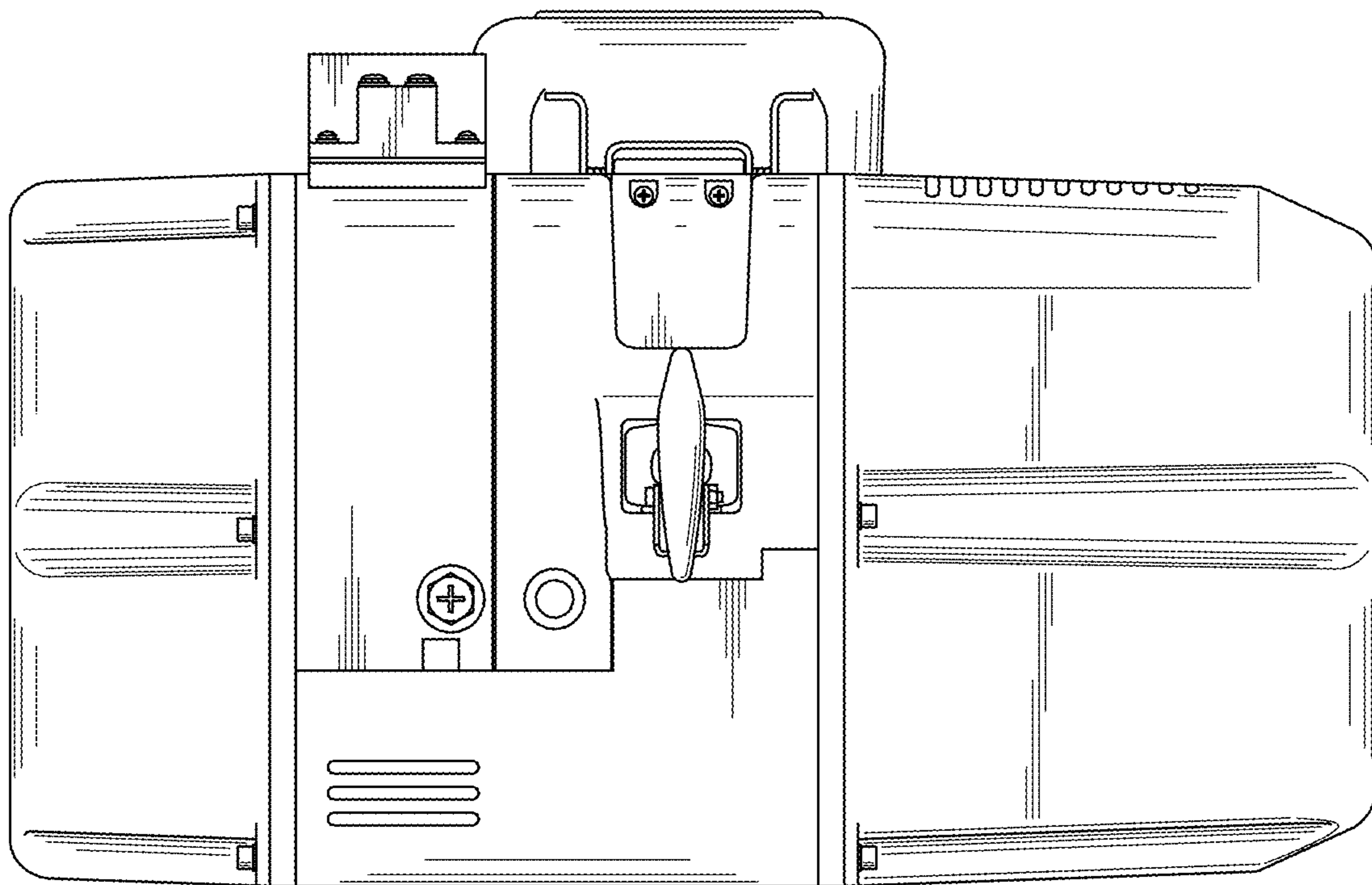


FIG. 8

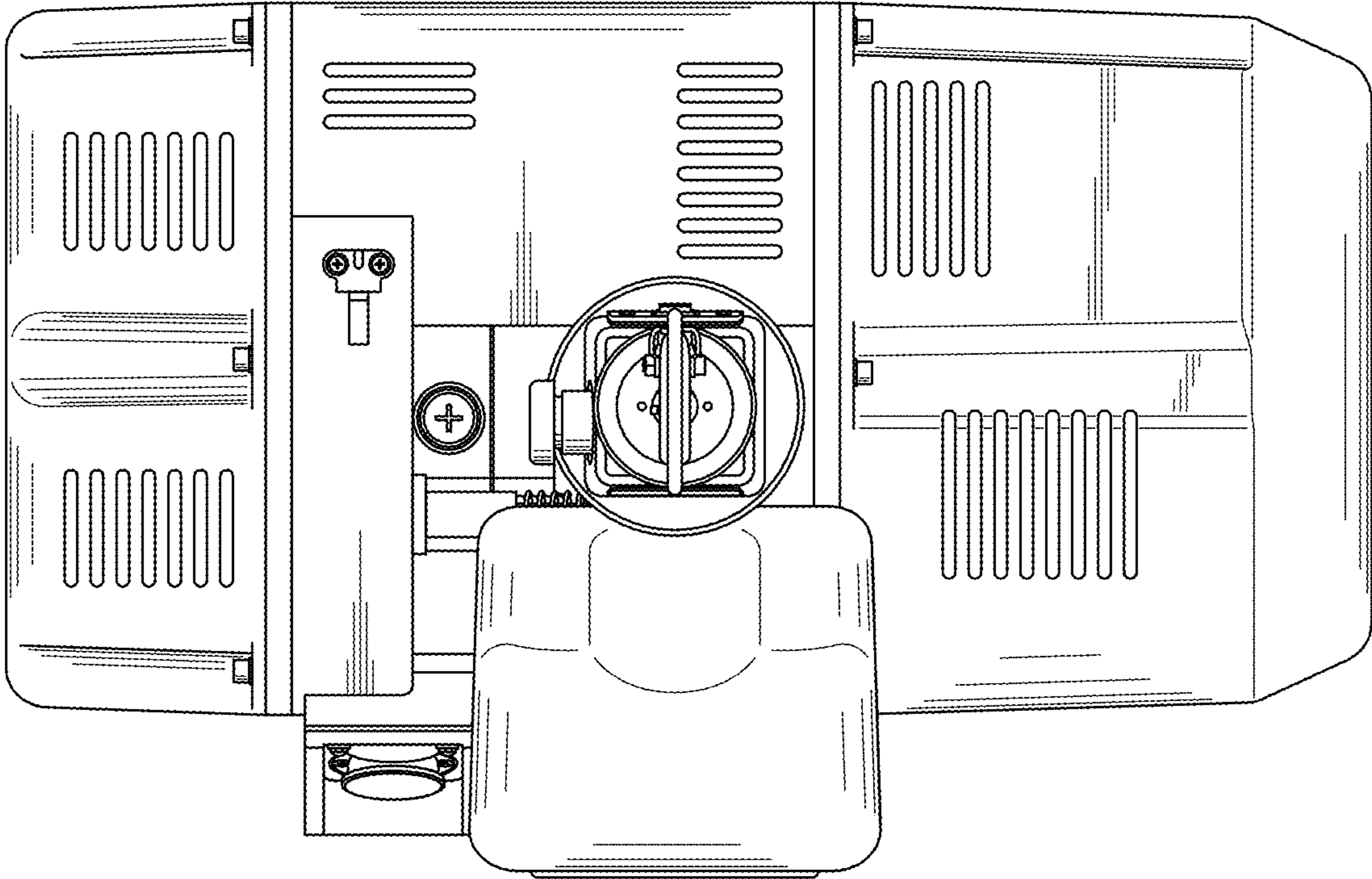


FIG. 9

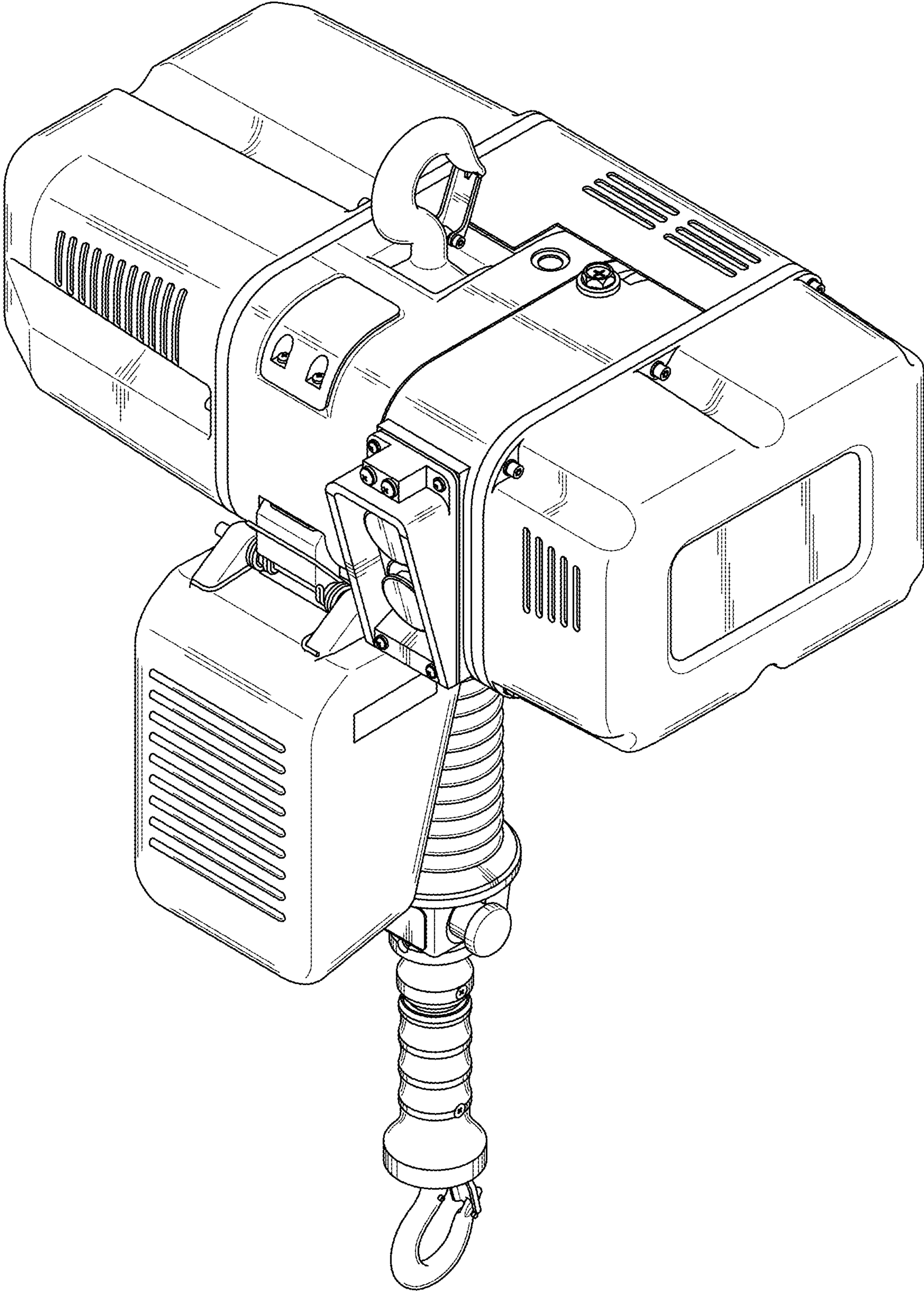


FIG. 10

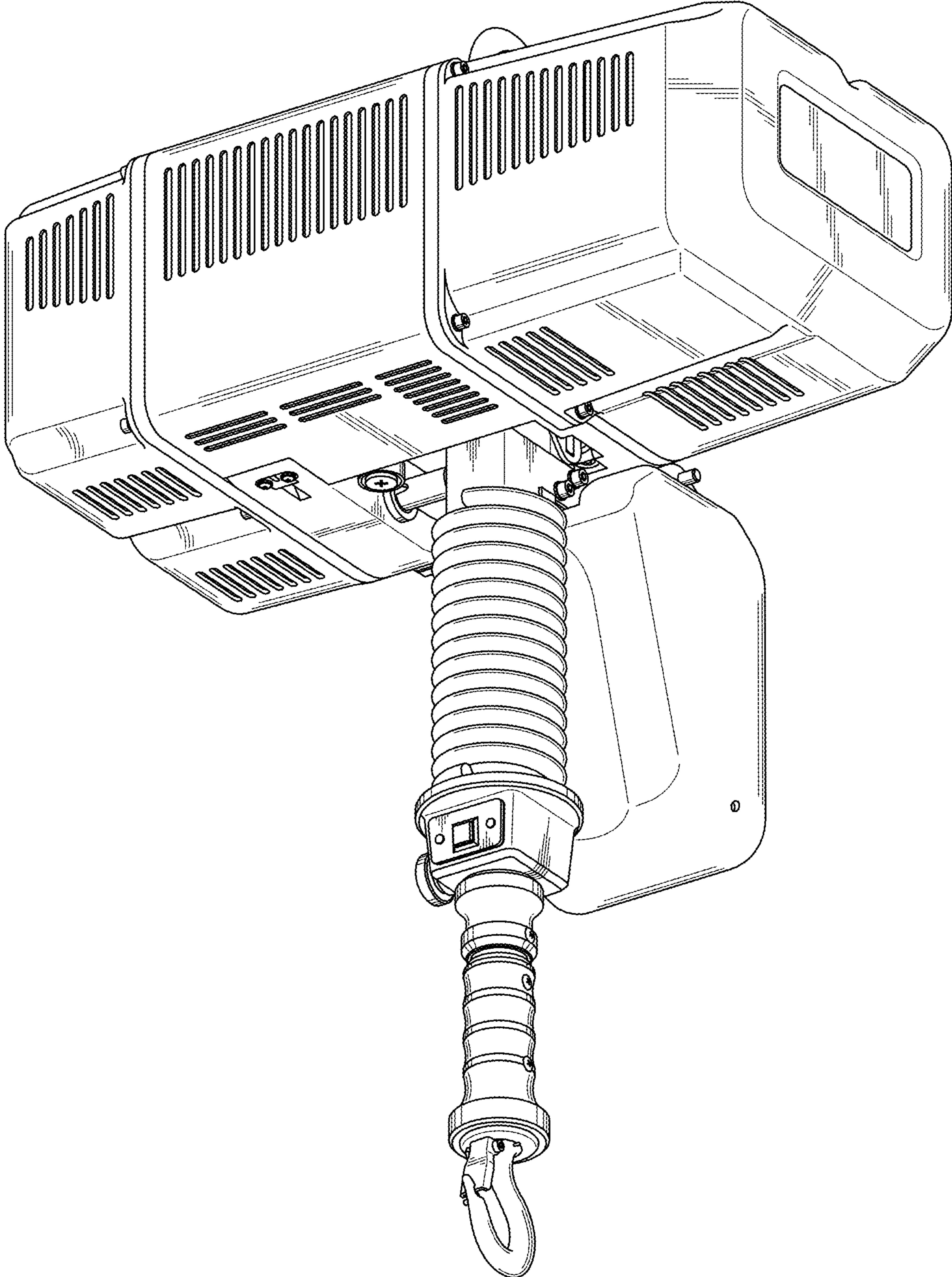


FIG. 11

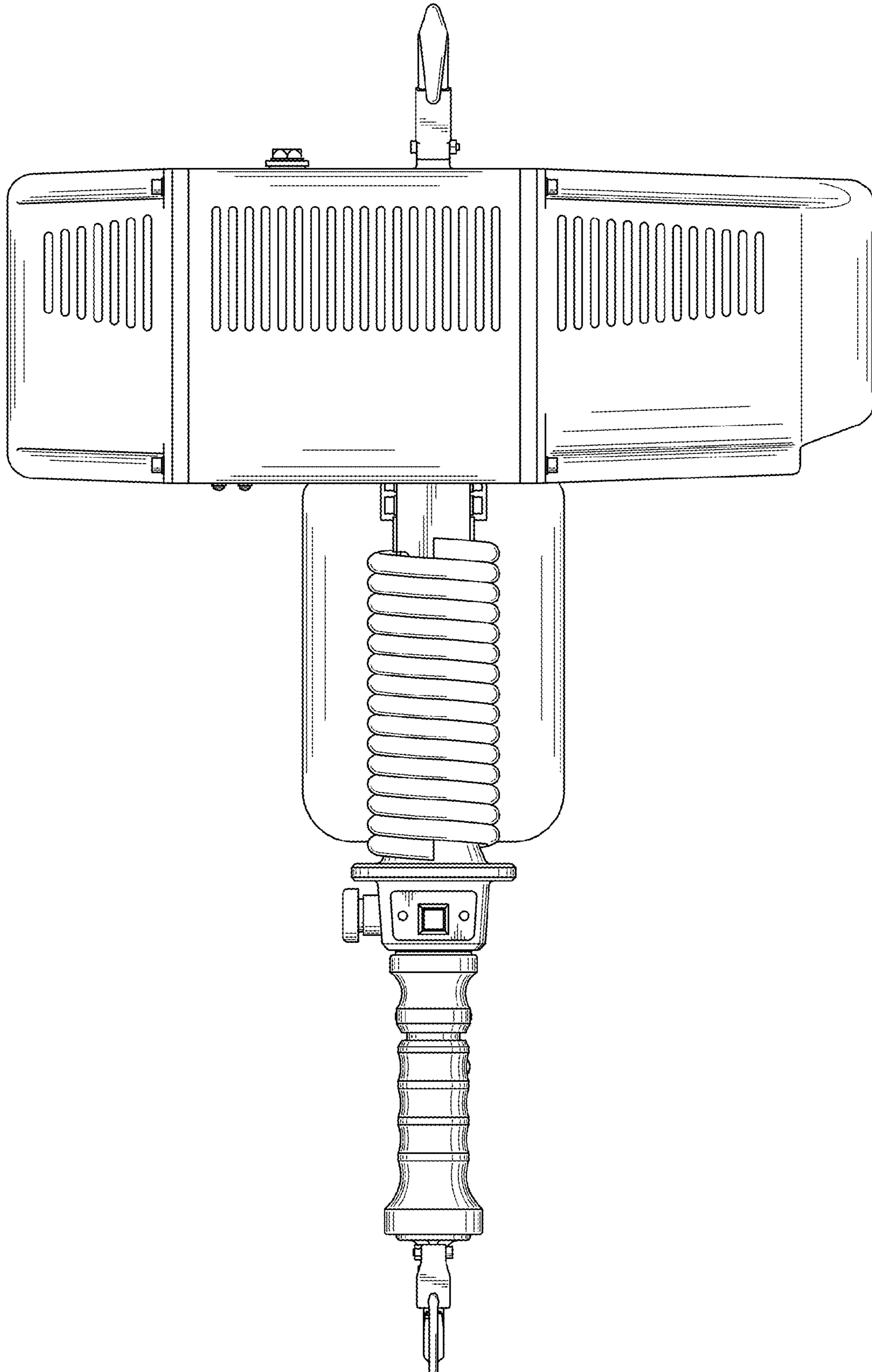


FIG. 12

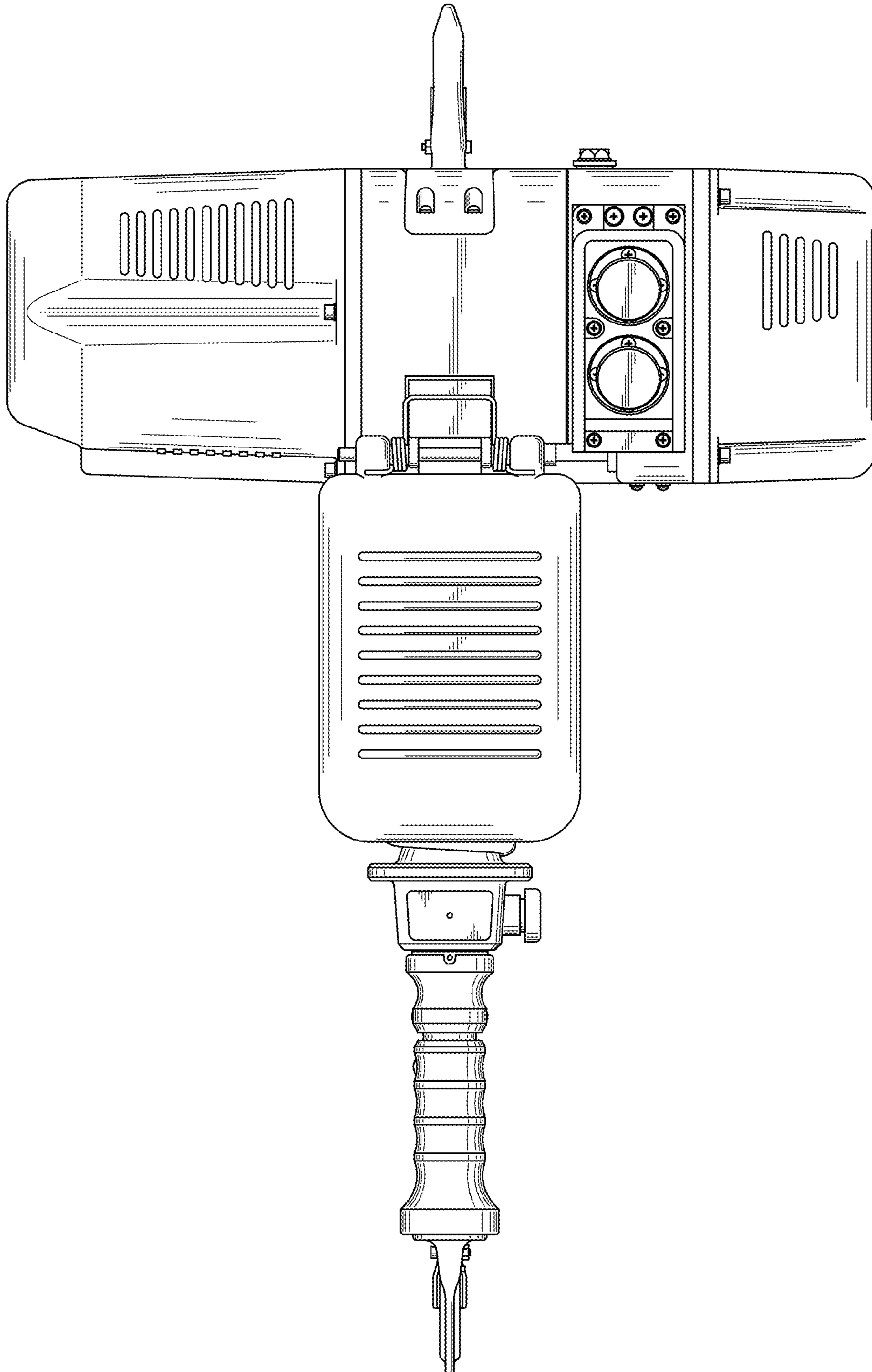


FIG. 13

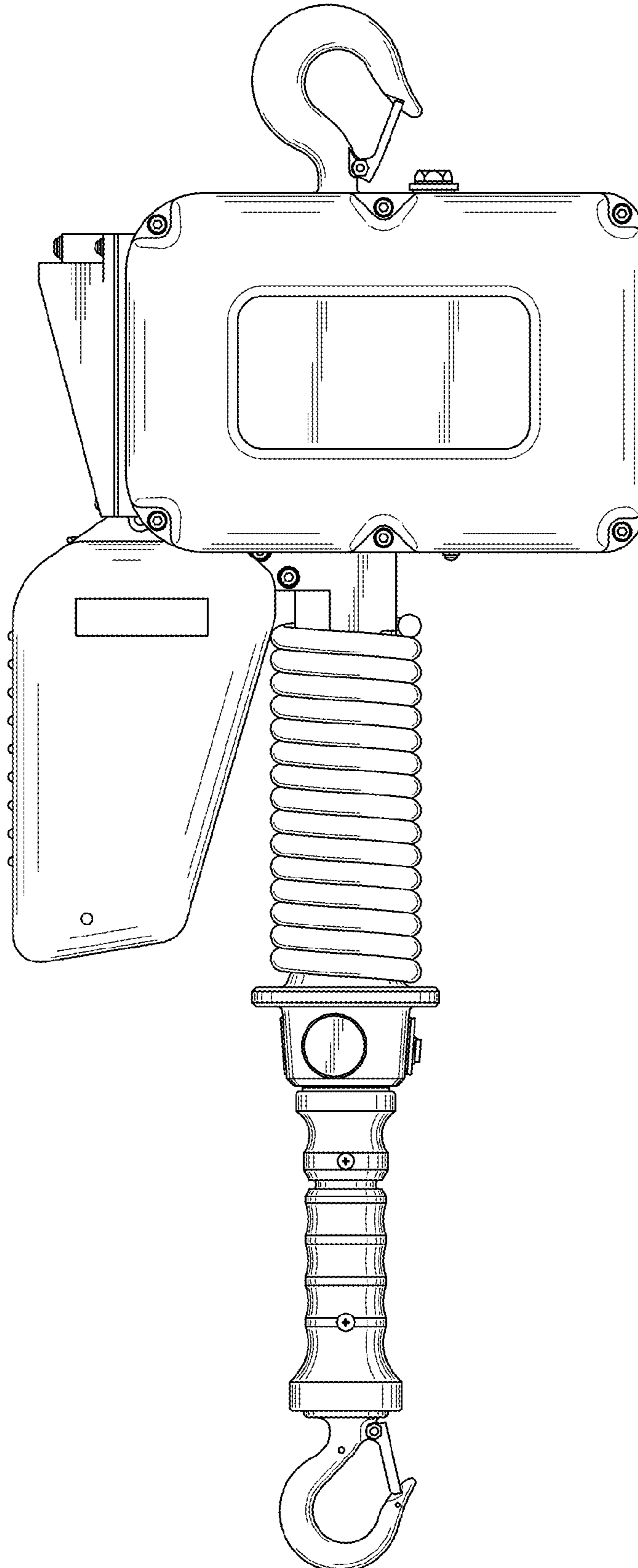


FIG. 14

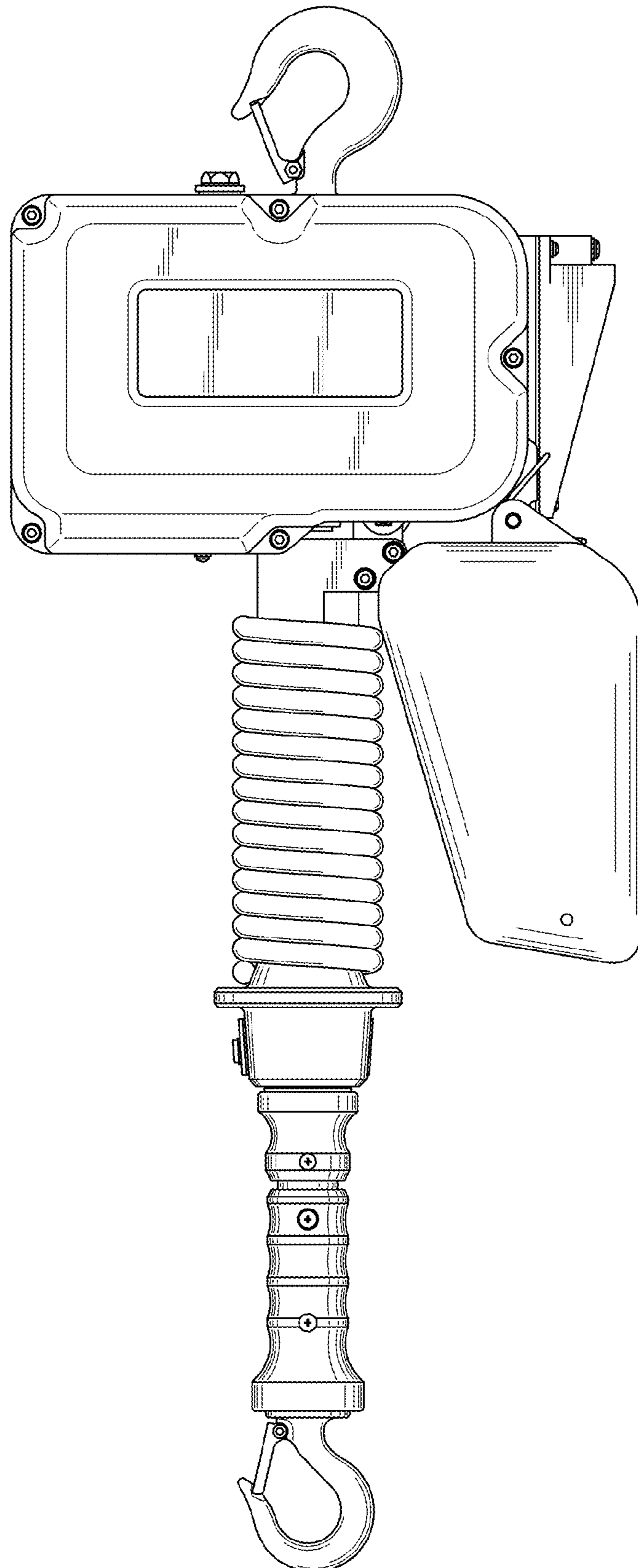


FIG. 15

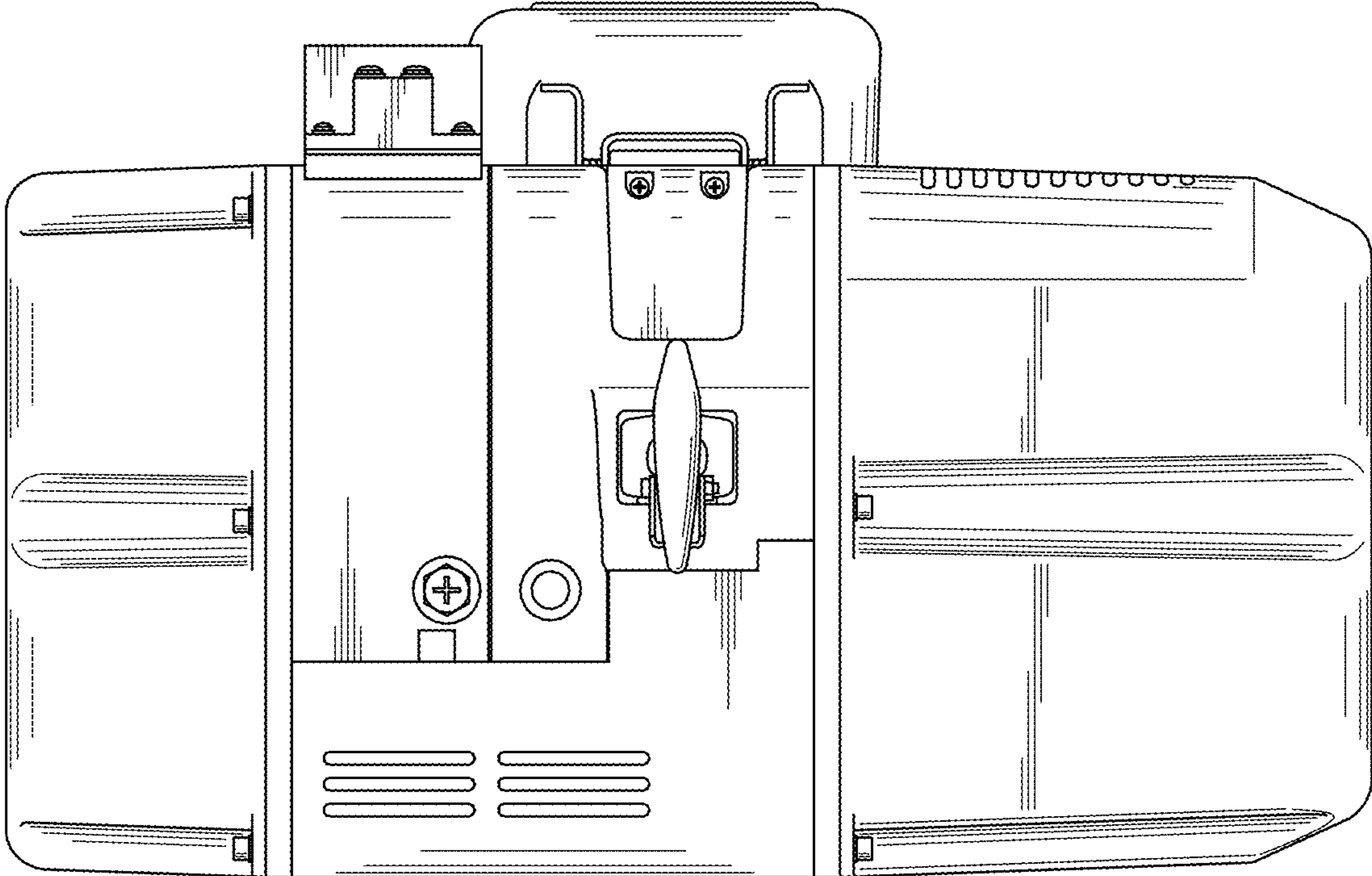


FIG. 16

