



US00D940423S

(12) **United States Design Patent**
Bae et al.

(10) **Patent No.:** **US D940,423 S**
(45) **Date of Patent:** **** Jan. 4, 2022**

(54) **IRONING BOARD**

(71) Applicant: **LG ELECTRONICS INC.**, Seoul (KR)

(72) Inventors: **Jaeil Bae**, Seoul (KR); **Kyutae Park**, Seoul (KR); **Kyungah Lee**, Seoul (KR); **Hoil Jeon**, Seoul (KR); **Youngsoo Ha**, Seoul (KR)

(73) Assignee: **LG ELECTRONICS INC.**, Seoul (KR)

(**) Term: **15 Years**

(21) Appl. No.: **29/725,714**

(22) Filed: **Feb. 26, 2020**

(30) **Foreign Application Priority Data**

Aug. 27, 2019 (KR) 30-2019-0040963

(51) **LOC (13) Cl.** **07-05**

(52) **U.S. Cl.**
USPC **D32/66**

(58) **Field of Classification Search**
USPC D32/9, 35, 58, 60, 66, 67; D21/526
(Continued)

(56) **References Cited**

U.S. PATENT DOCUMENTS

D20,694 S * 4/1891 Day D32/66
D28,202 S * 1/1898 Dana D32/66
(Continued)

FOREIGN PATENT DOCUMENTS

RU 00121945 * 10/2020
RU 00121946 * 10/2020
(Continued)

OTHER PUBLICATIONS

Battistella EGEO Fixed Ironing Board + BARBARA 31 Steam Generator with Iron, announced in YouTube on May 2, 2013

[online], [site visited Oct. 19, 2021], Available from the internet URL: <https://www.youtube.com/watch?v=gY6iKp-UDJw> (Year: 2013).*

(Continued)

Primary Examiner — Dana K Weiland
Assistant Examiner — Jennylou M Binas

(74) *Attorney, Agent, or Firm* — Birch, Stewart, Kolasch & Birch, LLP

(57) **CLAIM**

We claim the ornamental design for an ironing board, as shown and described.

DESCRIPTION

FIG. 1 is a perspective view of an ironing board showing the new design;
FIG. 2 is a front elevation view thereof;
FIG. 3 is a rear elevation view thereof;
FIG. 4 is a left-side elevation view thereof;
FIG. 5 is a right-side elevation view thereof;
FIG. 6 is a top plan view thereof;
FIG. 7 is a bottom plan view thereof;
FIG. 8 is a perspective view of the ironing board shown in a state of use;
FIG. 9 is a perspective view of the ironing board showing an alternate configuration with the auxiliary ironing board unfolded;
FIG. 10 is a front elevation view thereof;
FIG. 11 is a rear elevation view thereof;
FIG. 12 is a left-side elevation view thereof;
FIG. 13 is a right-side elevation view thereof;
FIG. 14 is a top plan view thereof;
FIG. 15 is a bottom plan view thereof;
FIG. 16 is a perspective view of the ironing board shown in a state of use;
FIG. 17 is a perspective view of the ironing board showing an alternate configuration with the hanger unfolded;
FIG. 18 is a front elevation view thereof;
FIG. 19 is a rear elevation view thereof;
FIG. 20 is a left-side elevation view thereof;
FIG. 21 is a right-side elevation view thereof;

(Continued)

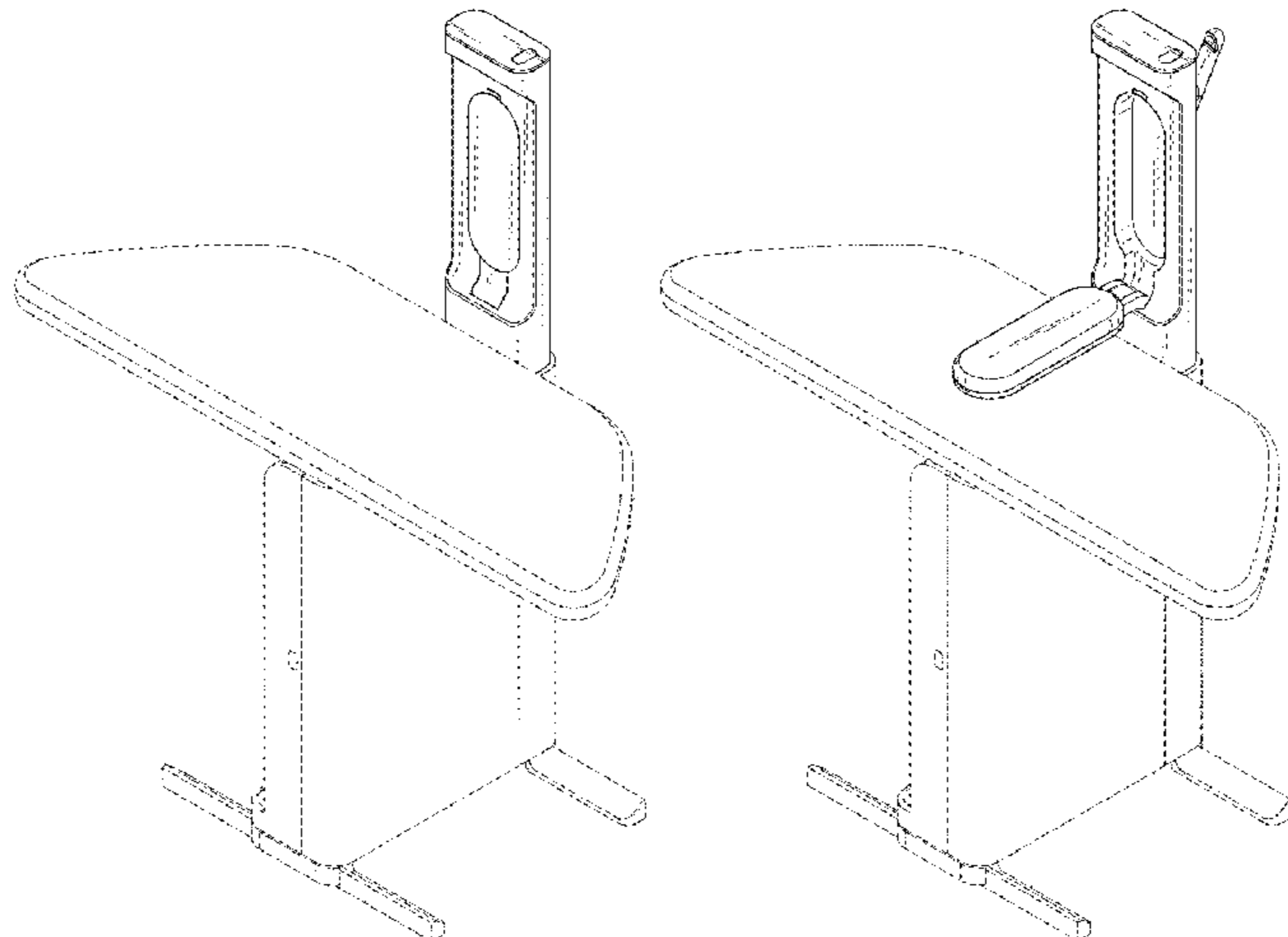


FIG. 22 is a top plan view thereof;
 FIG. 23 is a bottom plan view thereof; and,
 FIG. 24 is an enlarged perspective view of the rear upper portion of the ironing board with the hanger unfolded.
 The broken lines shown in the figures depict portions of the ironing board that form no part of the claimed design. The rectangular dashed broken line in FIG. 24 shows the boundary of the enlarged view and forms no part of the claimed design.

1 Claim, 24 Drawing Sheets

(58) **Field of Classification Search**

CPC A47B 39/06; A47B 46/00; A47B 61/02;
 A47B 63/04; A47B 77/10; A47B 77/16;
 A47G 25/40; D06F 73/00; D06F 81/00;
 D06F 81/003; D06F 81/006; D06F 81/02;
 D06F 81/04; D06F 81/06; D06F 81/08;
 D06F 81/12; D06F 83/00; Y10S 38/00;
 Y10S 38/01; Y10S 38/02; Y10S 38/03;
 Y10T 292/305

See application file for complete search history.

(56) **References Cited**

U.S. PATENT DOCUMENTS

D28,612 S * 5/1898 Rowse et al. D32/66
 2,854,148 A * 9/1958 Mattos D06F 81/006
 108/28

D326,487 S * 5/1992 Monneret D21/526
 D543,671 S * 5/2007 Chu D32/66
 D543,672 S * 5/2007 Chu D32/66
 D545,520 S * 6/2007 Oberdorf D32/58
 D546,515 S * 7/2007 Wicky D32/66
 D704,912 S * 5/2014 Gameiro D32/66
 D734,042 S * 7/2015 Williams D6/336
 D766,000 S * 9/2016 Williams D6/336
 D808,606 S * 1/2018 Greenspon D32/58

FOREIGN PATENT DOCUMENTS

RU 00125159 * 5/2021
 RU 00125161 * 5/2021
 RU 00125162 * 5/2021
 WO D206724-001 * 8/2021
 WO D207412-001 * 8/2021

OTHER PUBLICATIONS

Miele B3847 Fashionmaster Ironing System, date 1st available Mar. 9, 2017[online],[site visited Sep. 9, 2021], Available from the internet URL: https://www.amazon.ca/Miele-B3847-Fashionmaster-Ironing-System/dp/B01N705TG5/ref=sr_1_1?dchild=1&keywords=Miele+FashionMaster+Ironing+System&qid=1631218268&sr=8-1 (Year: 2017).*

SINGES Collapsible Drying Rack ,customer review oldest date Feb. 16, 2021 [online], [site visited Sep. 23, 2021], From URL :<https://www.walmart.com/ip/SINGES-Collapsible-Clothes-Drying-Rack-Portable-Garment-Racks-Indoor-Outdoor-Foldable-Standing-Laundry-Clothes-Tripod-Stand-Steamer-Hanger-Stand/308331609> (Year: 2021).*

* cited by examiner

FIG. 1

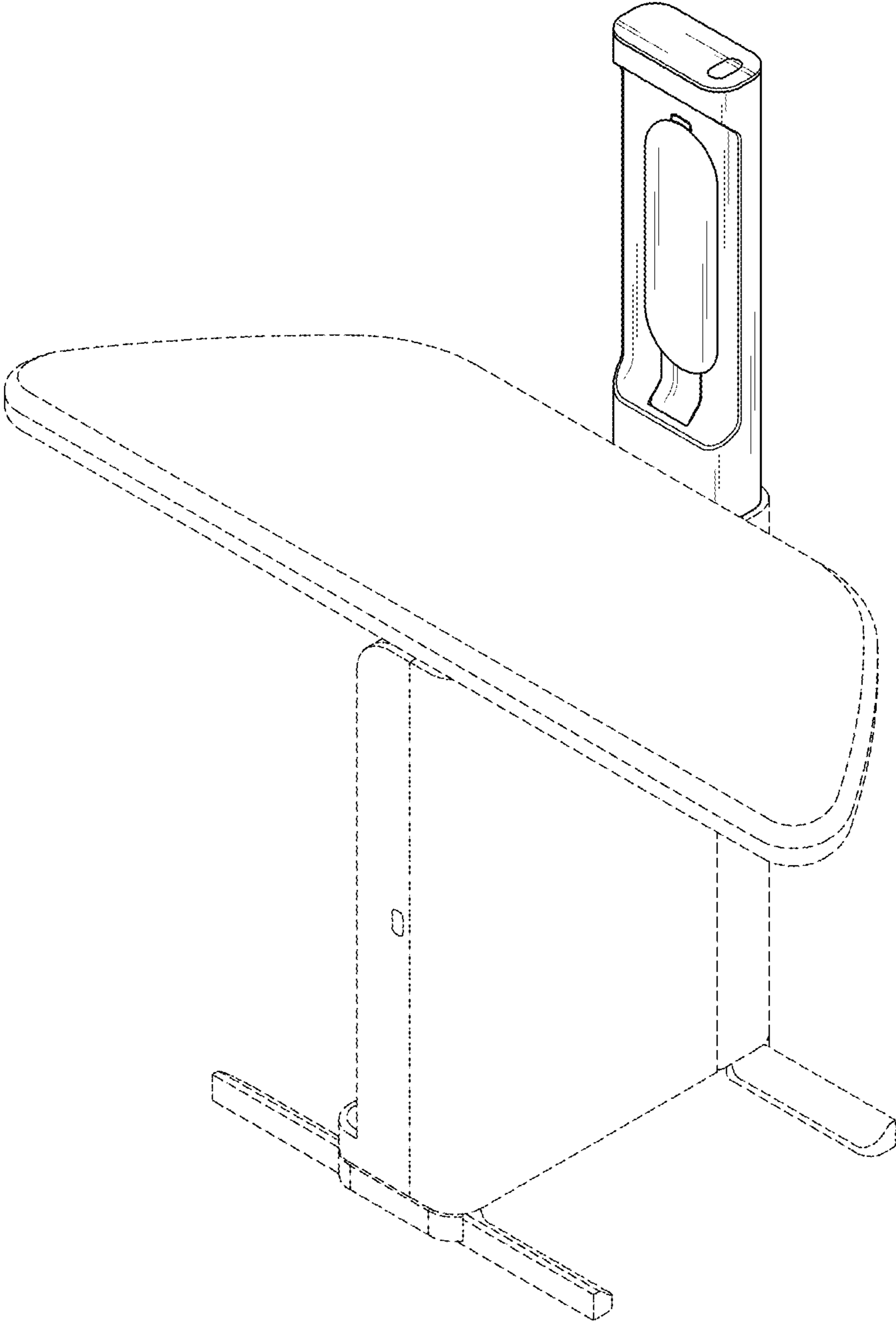


FIG. 2

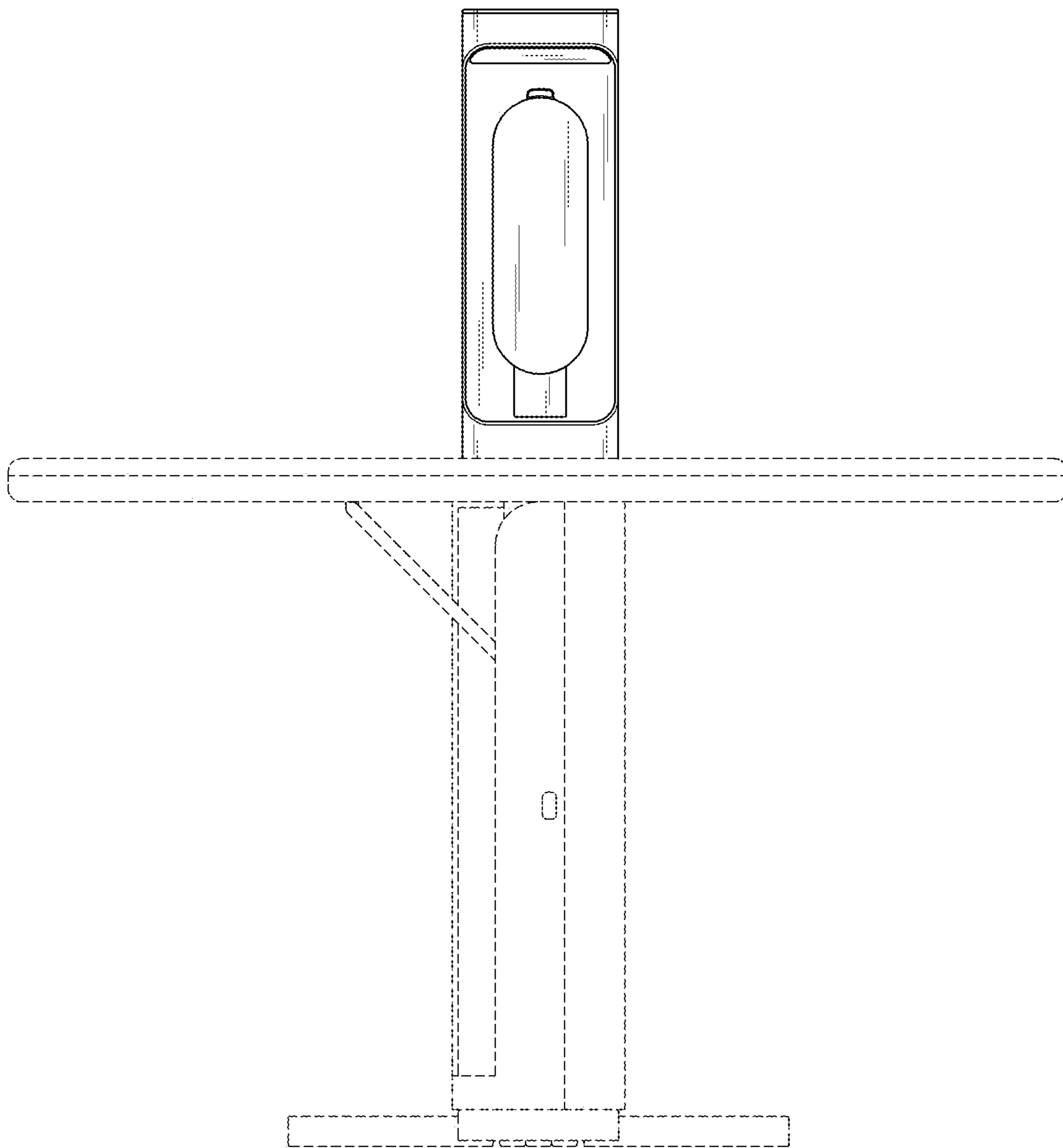


FIG. 3

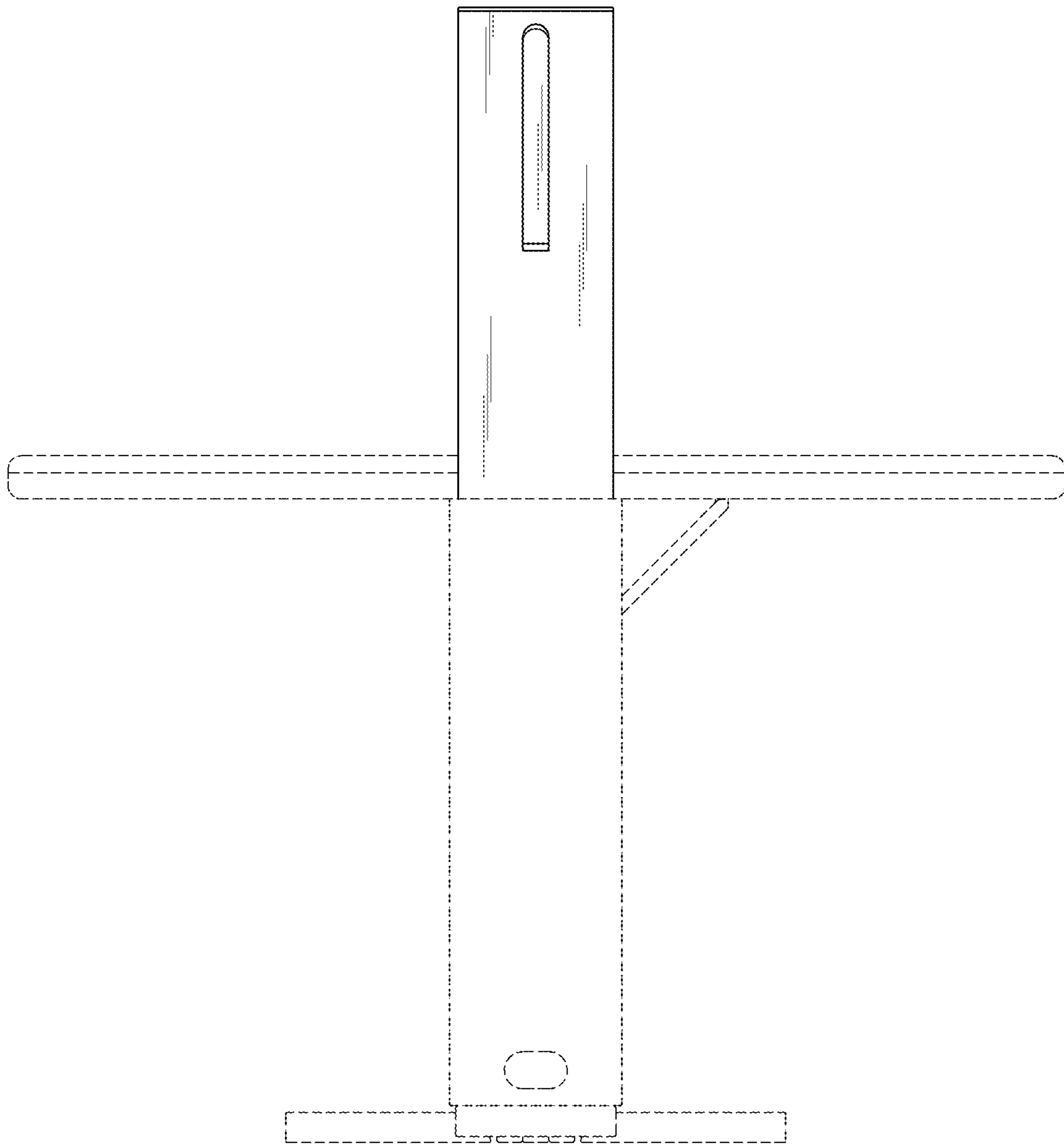


FIG. 4

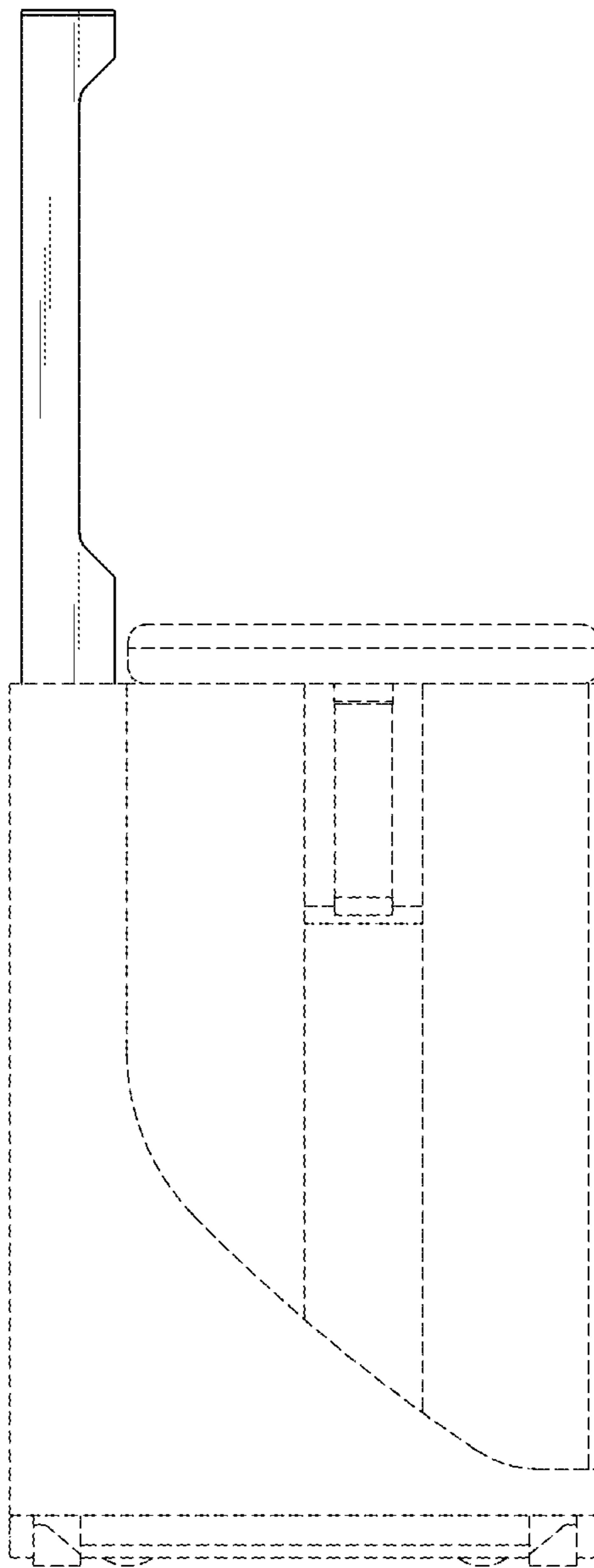


FIG. 5

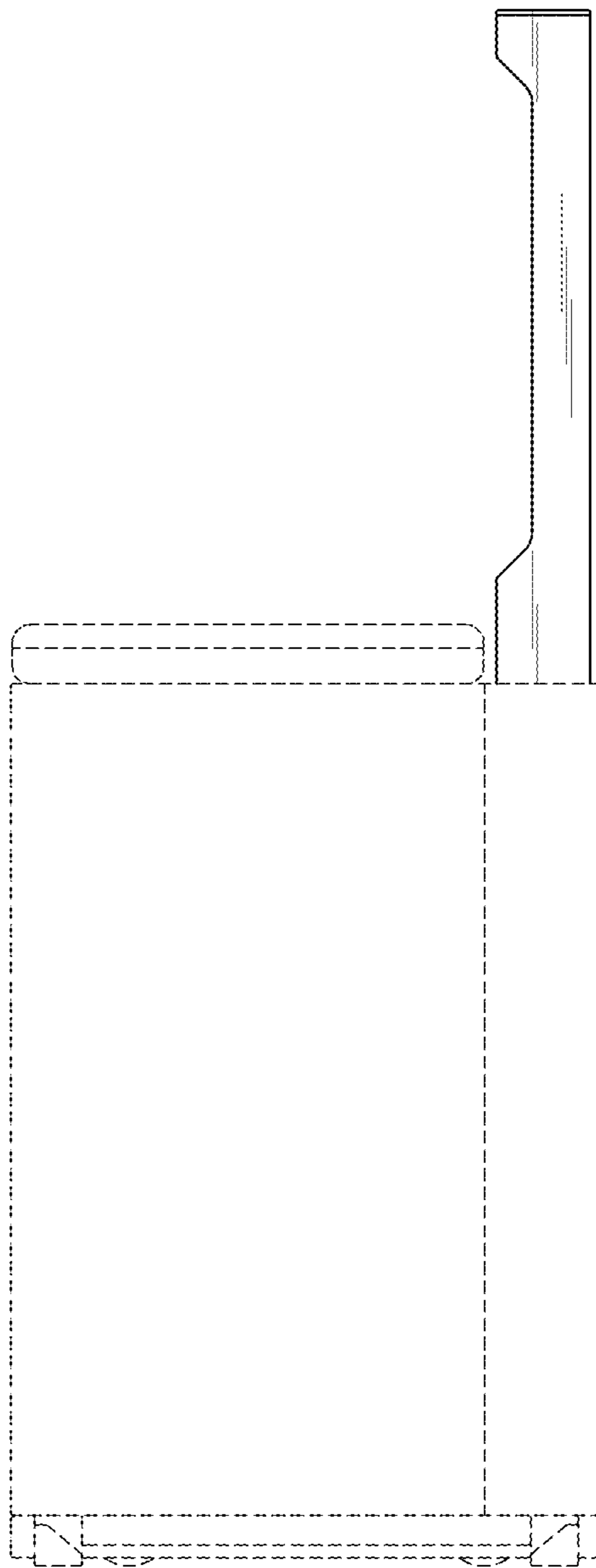


FIG. 6

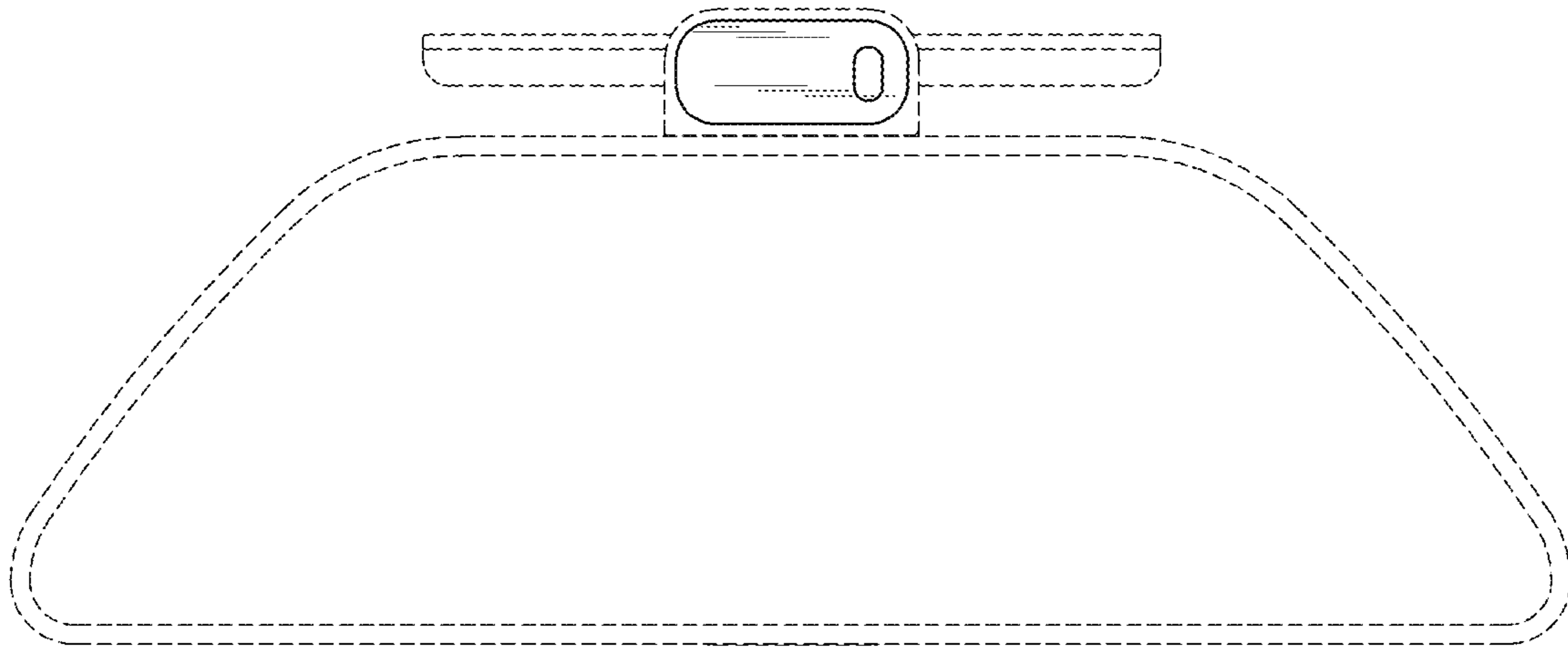


FIG. 7

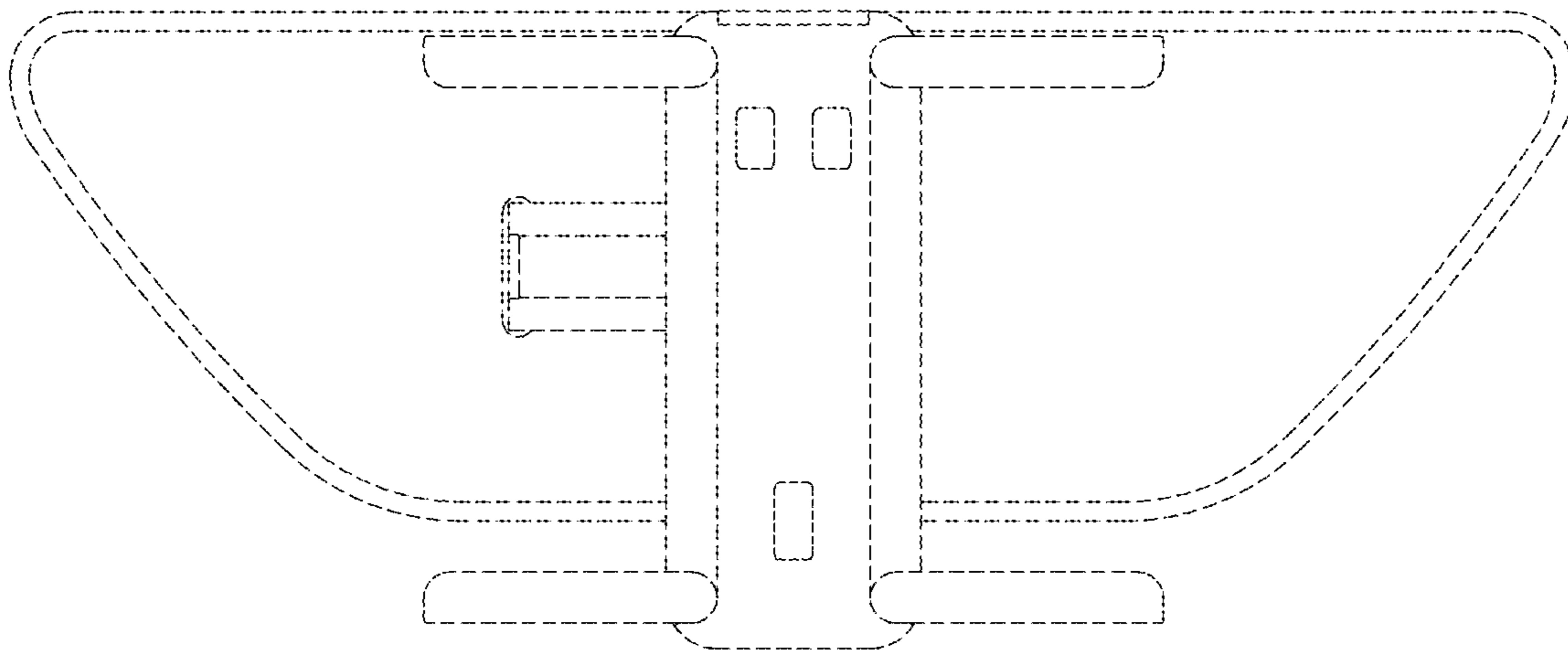


FIG. 8

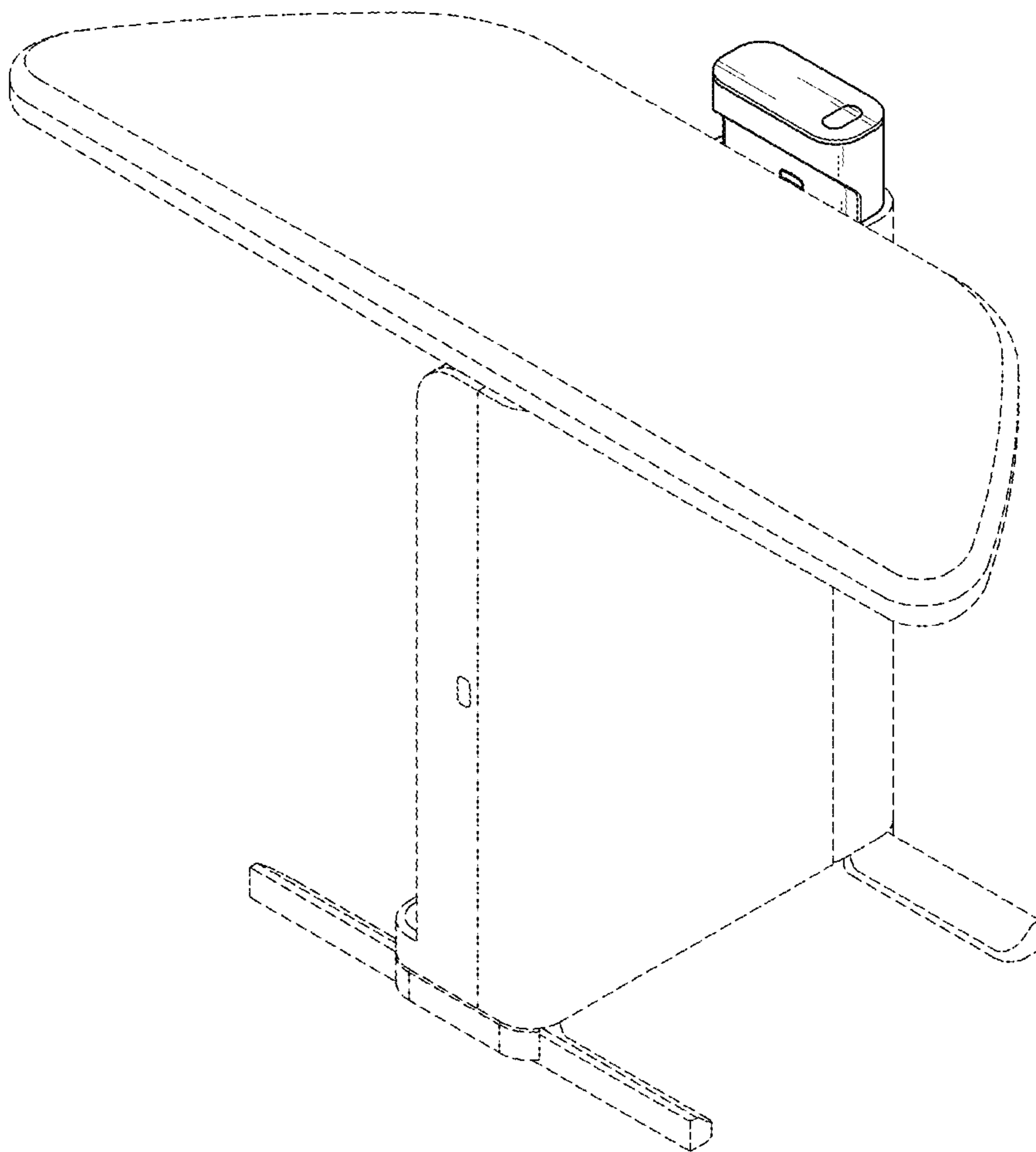


FIG. 9

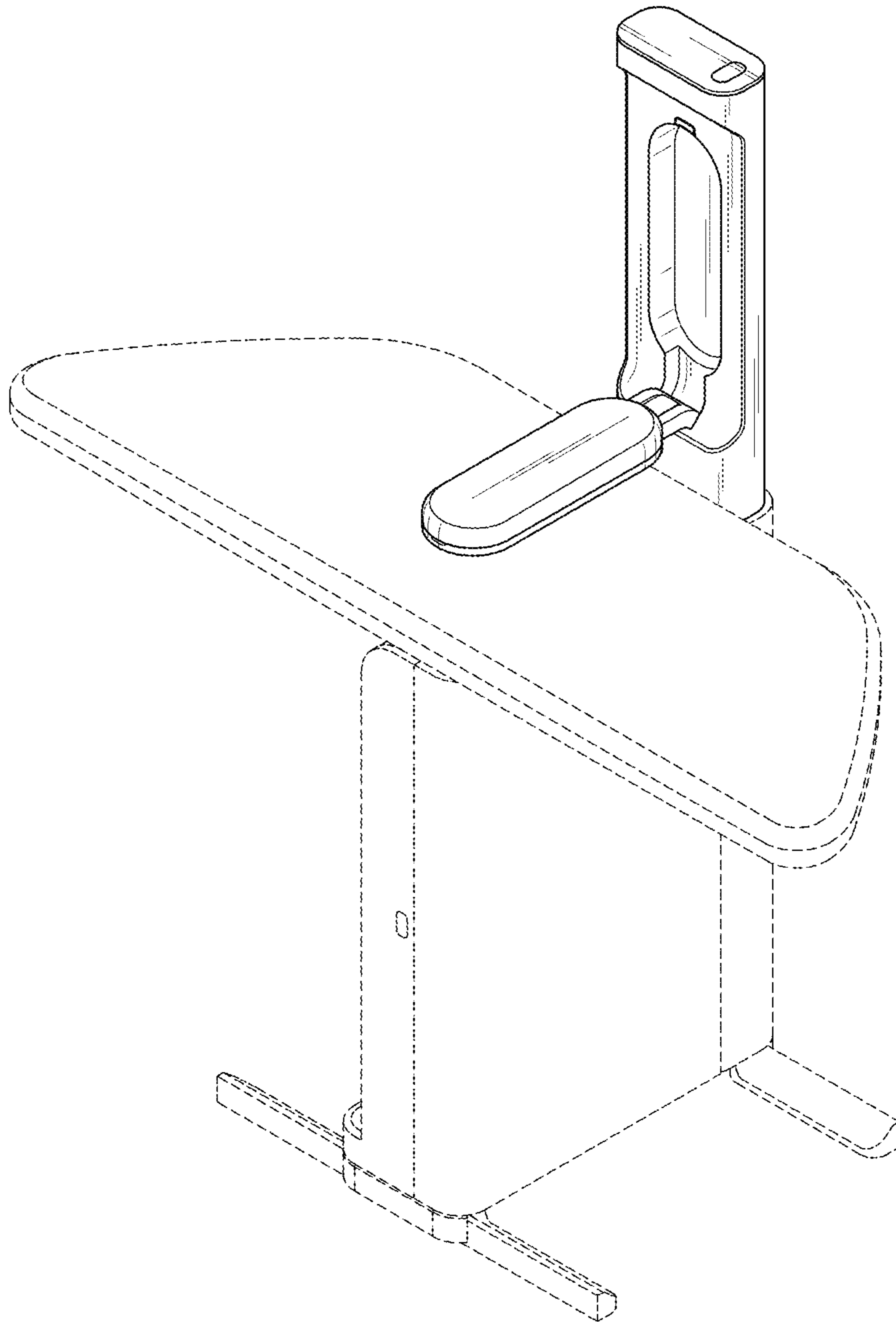


FIG. 10

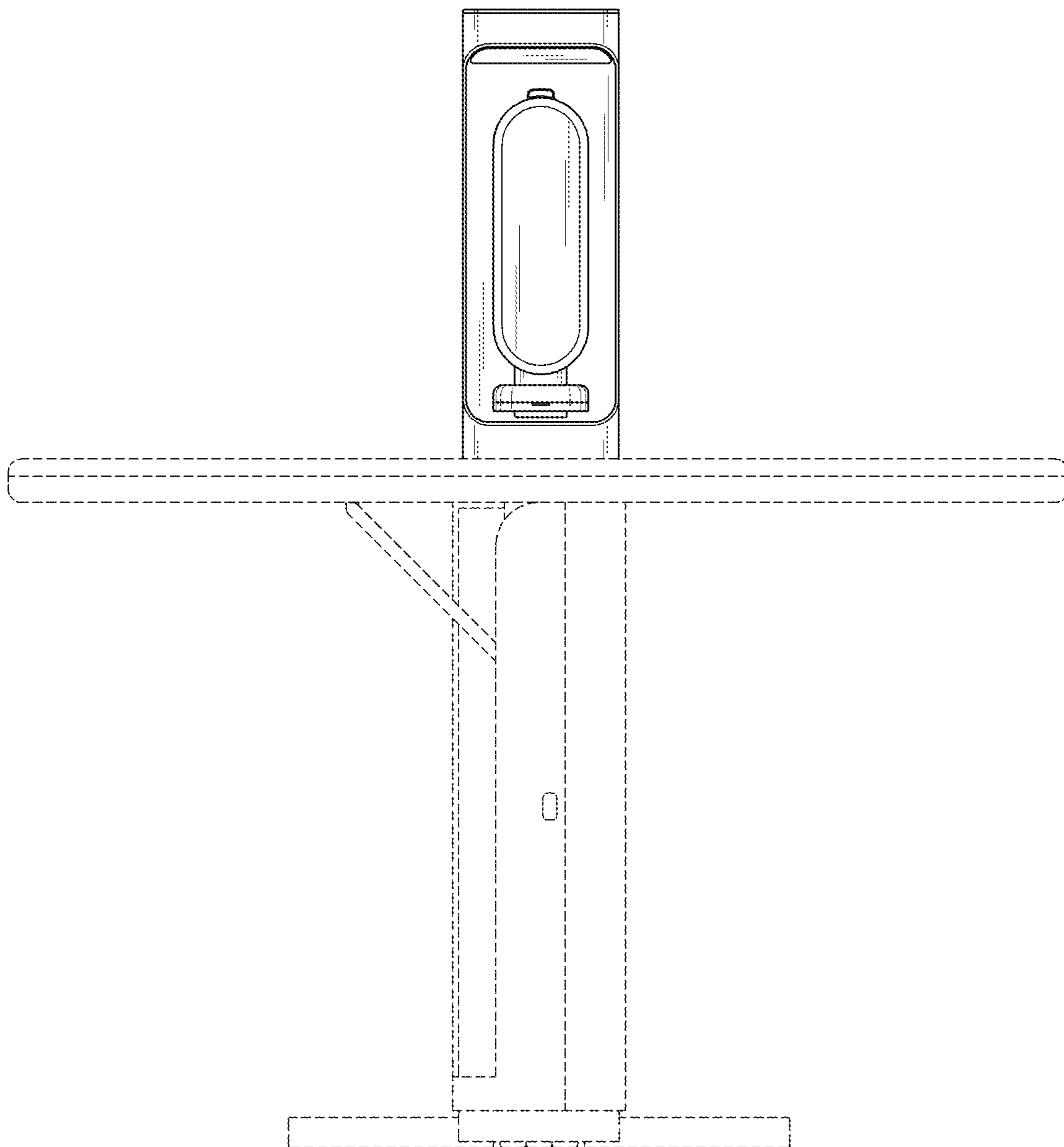


FIG. 11

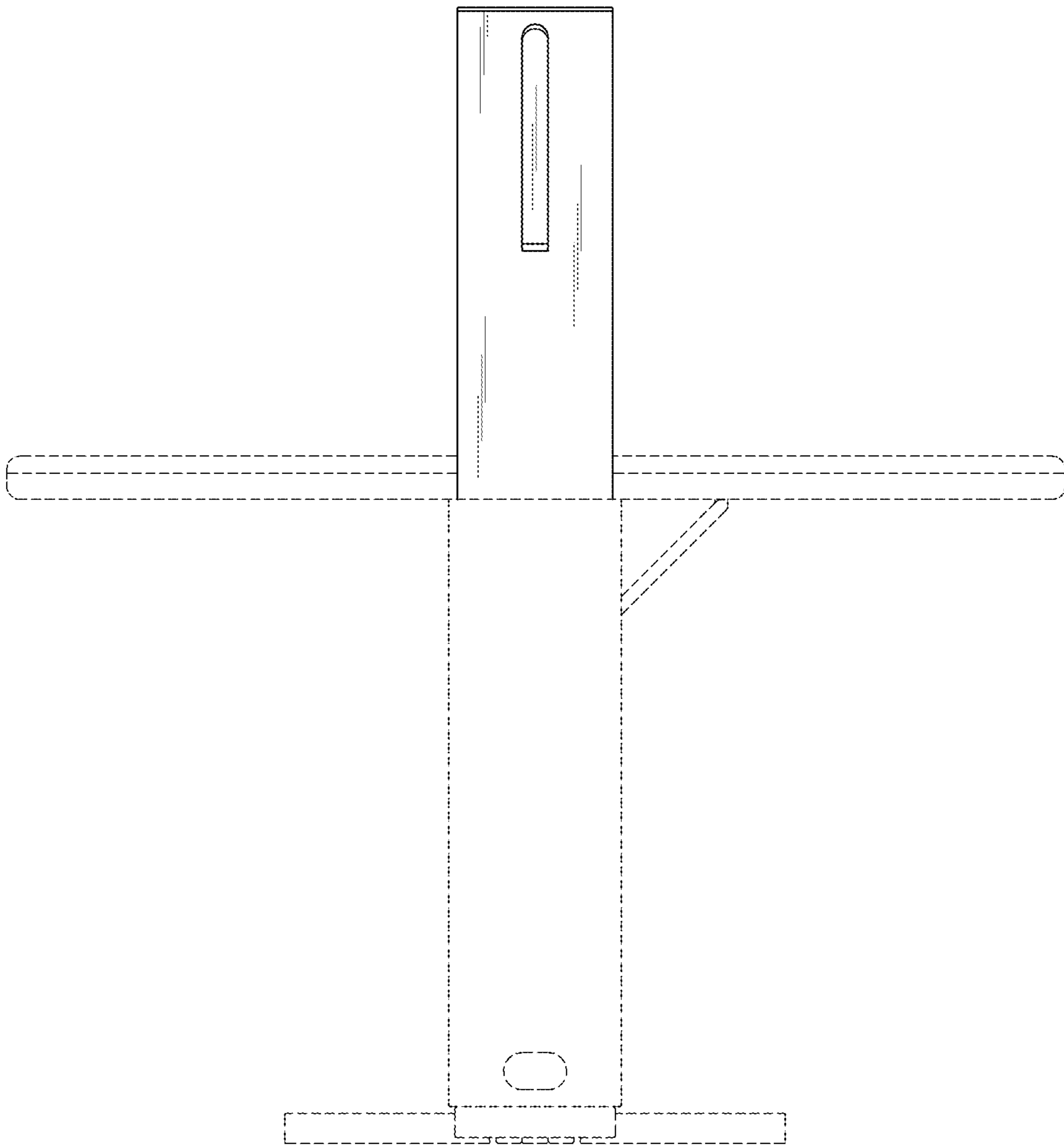


FIG. 12

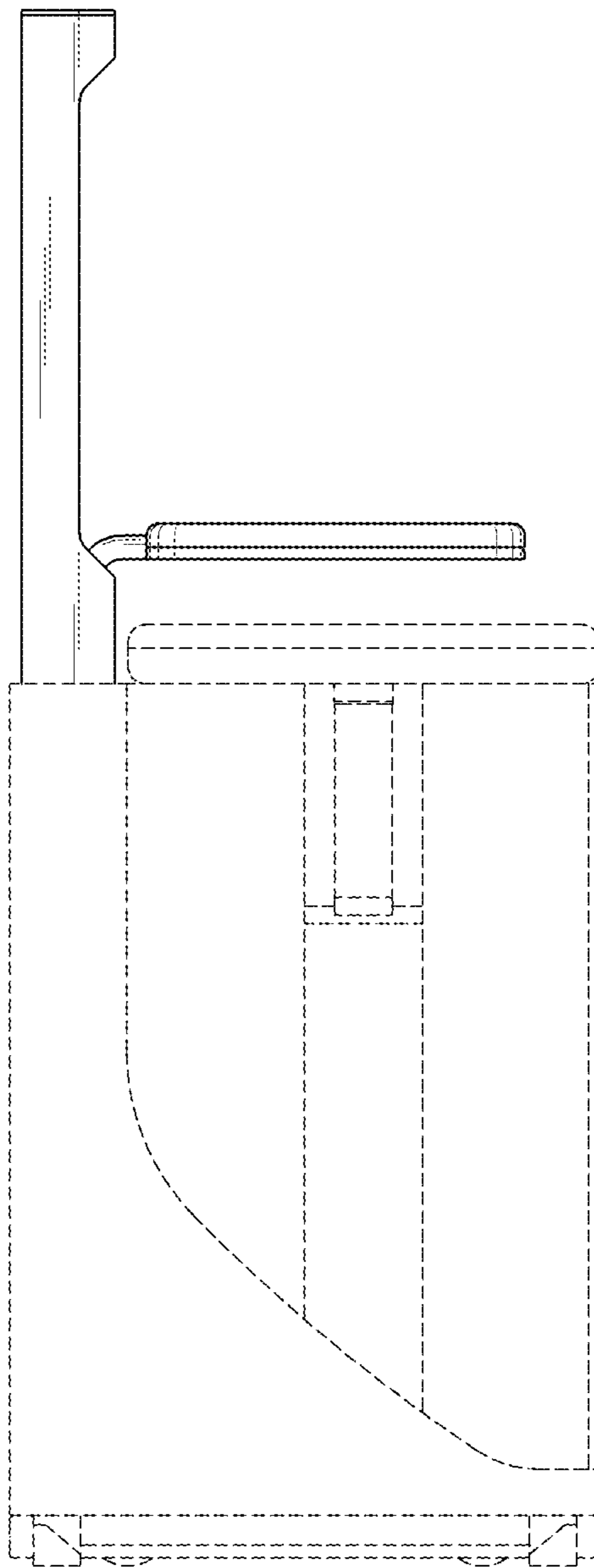


FIG. 13

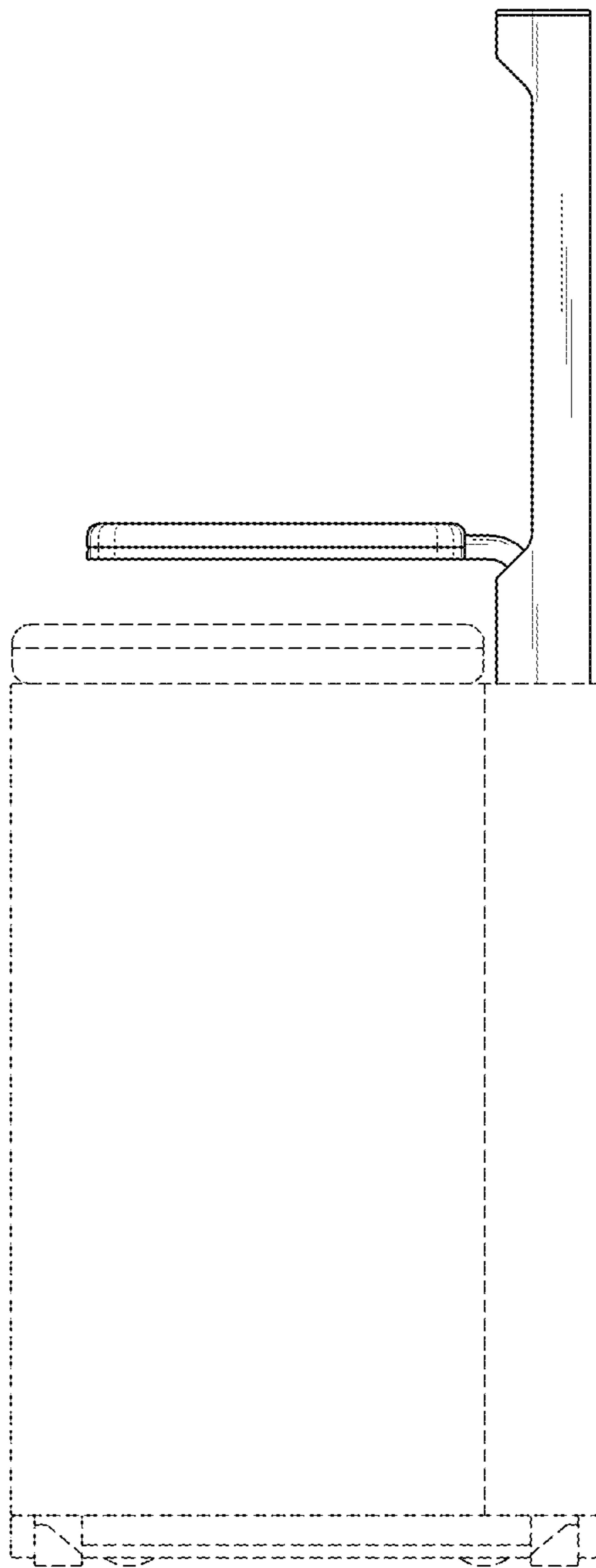


FIG. 14

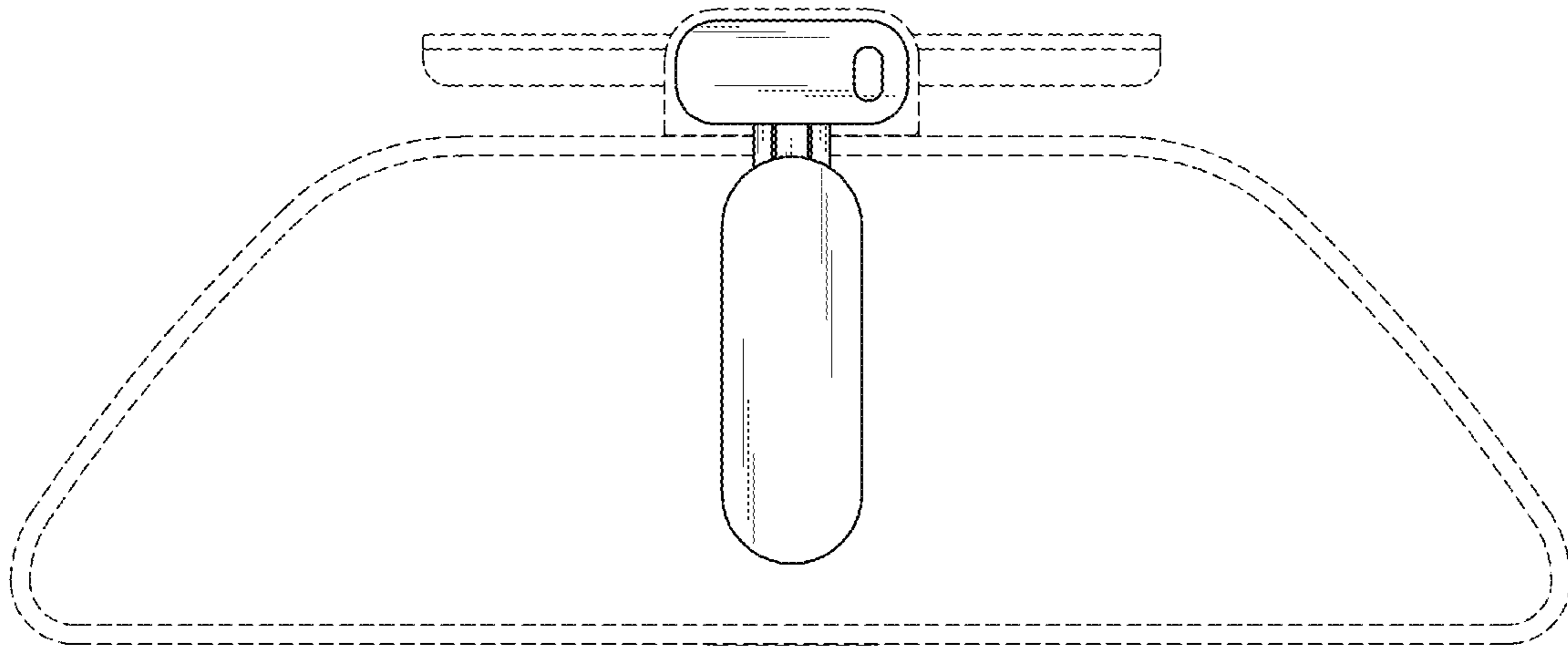


FIG. 15

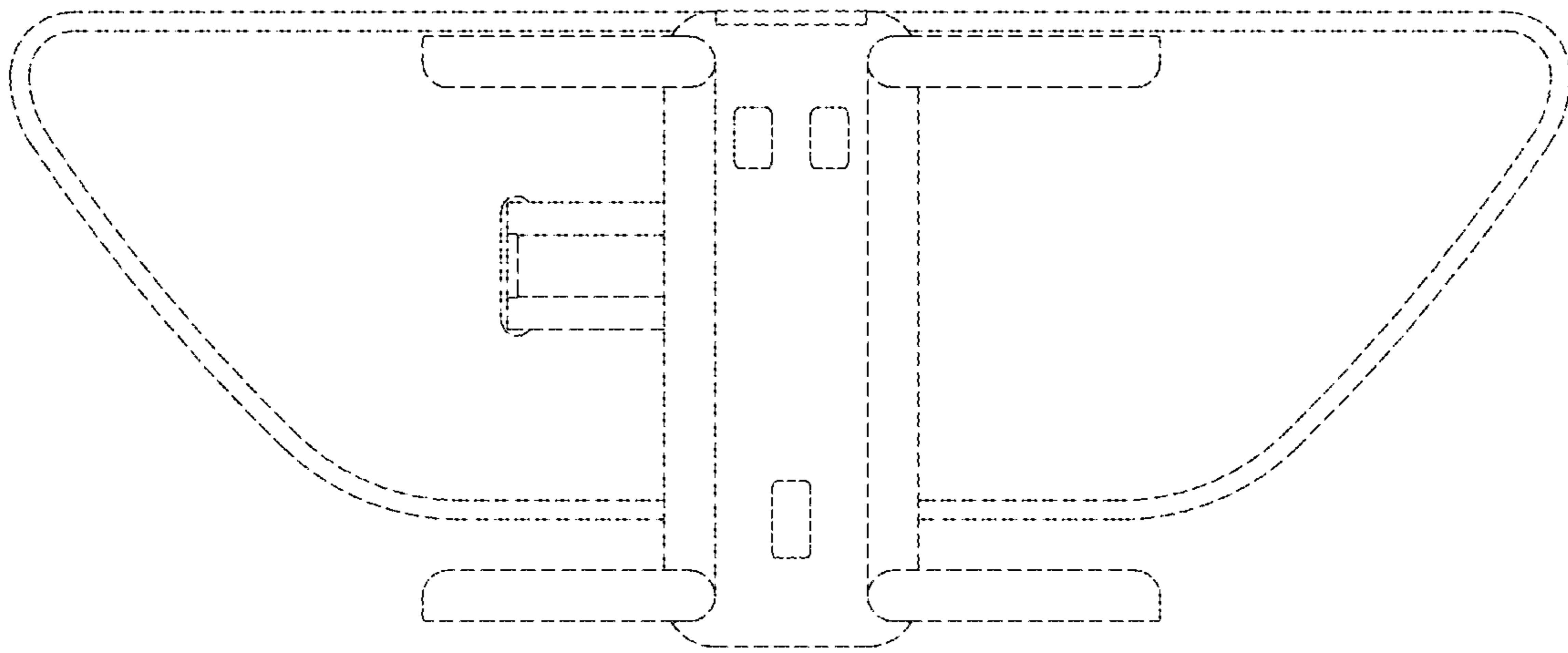


FIG. 16

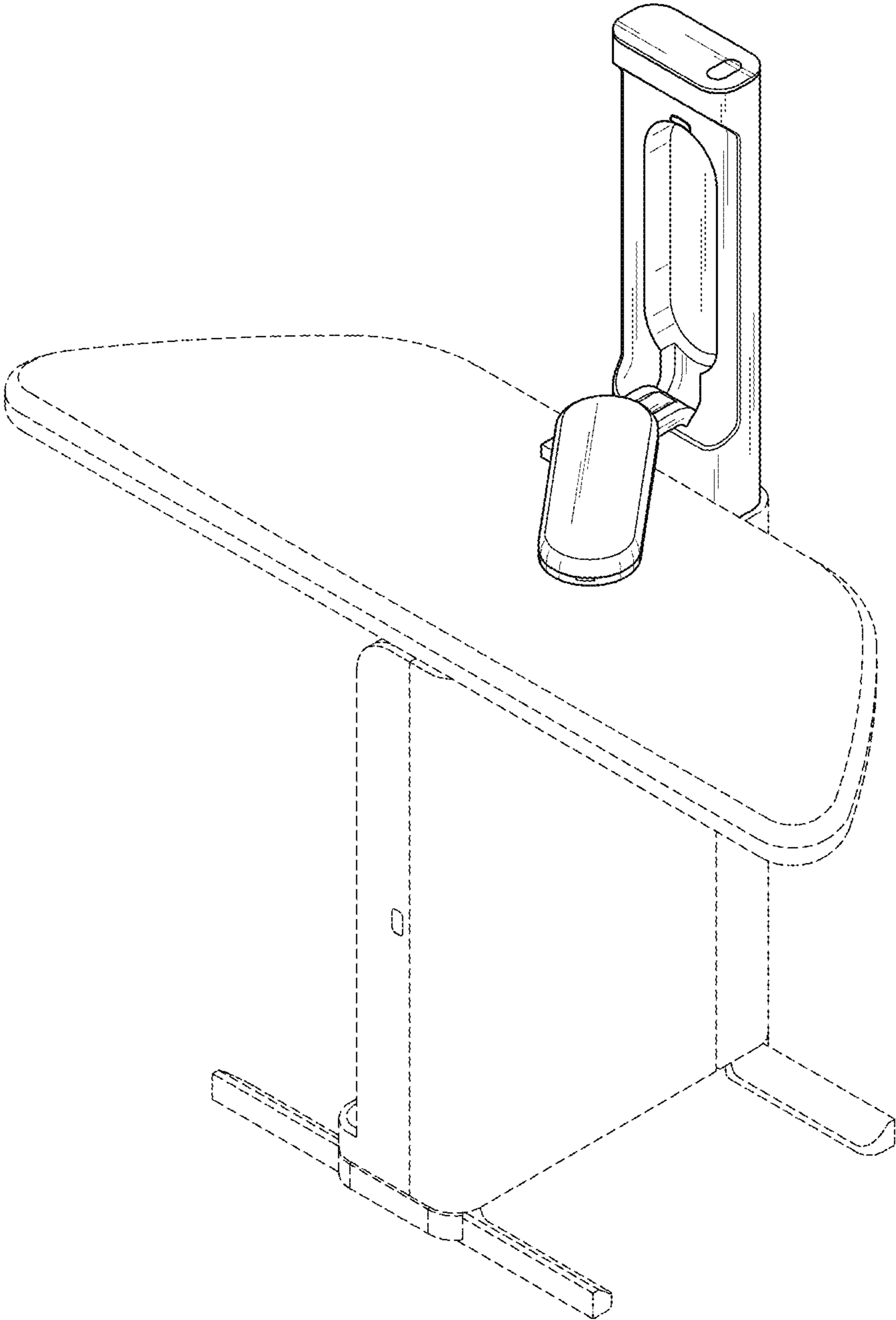


FIG. 17

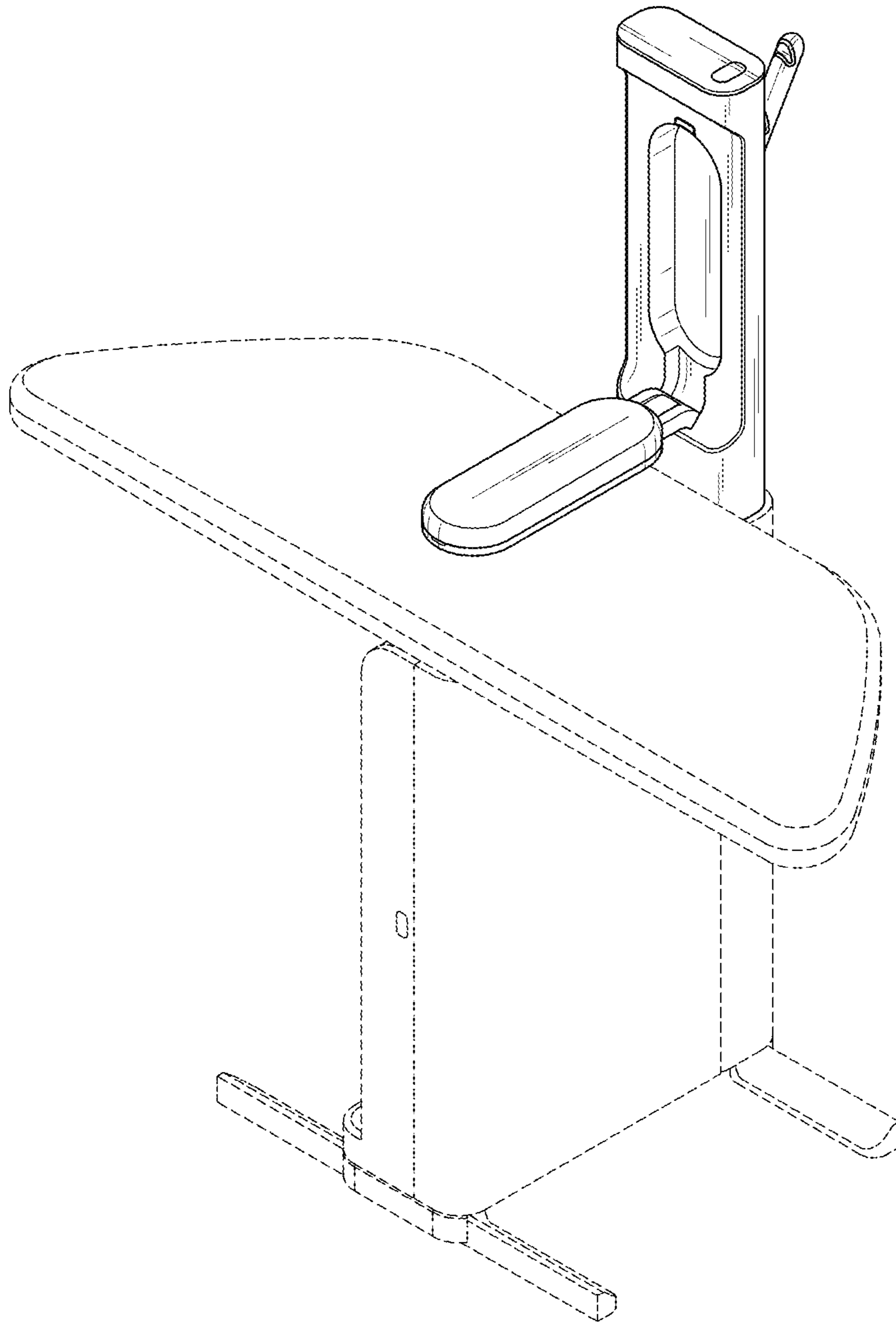


FIG. 18

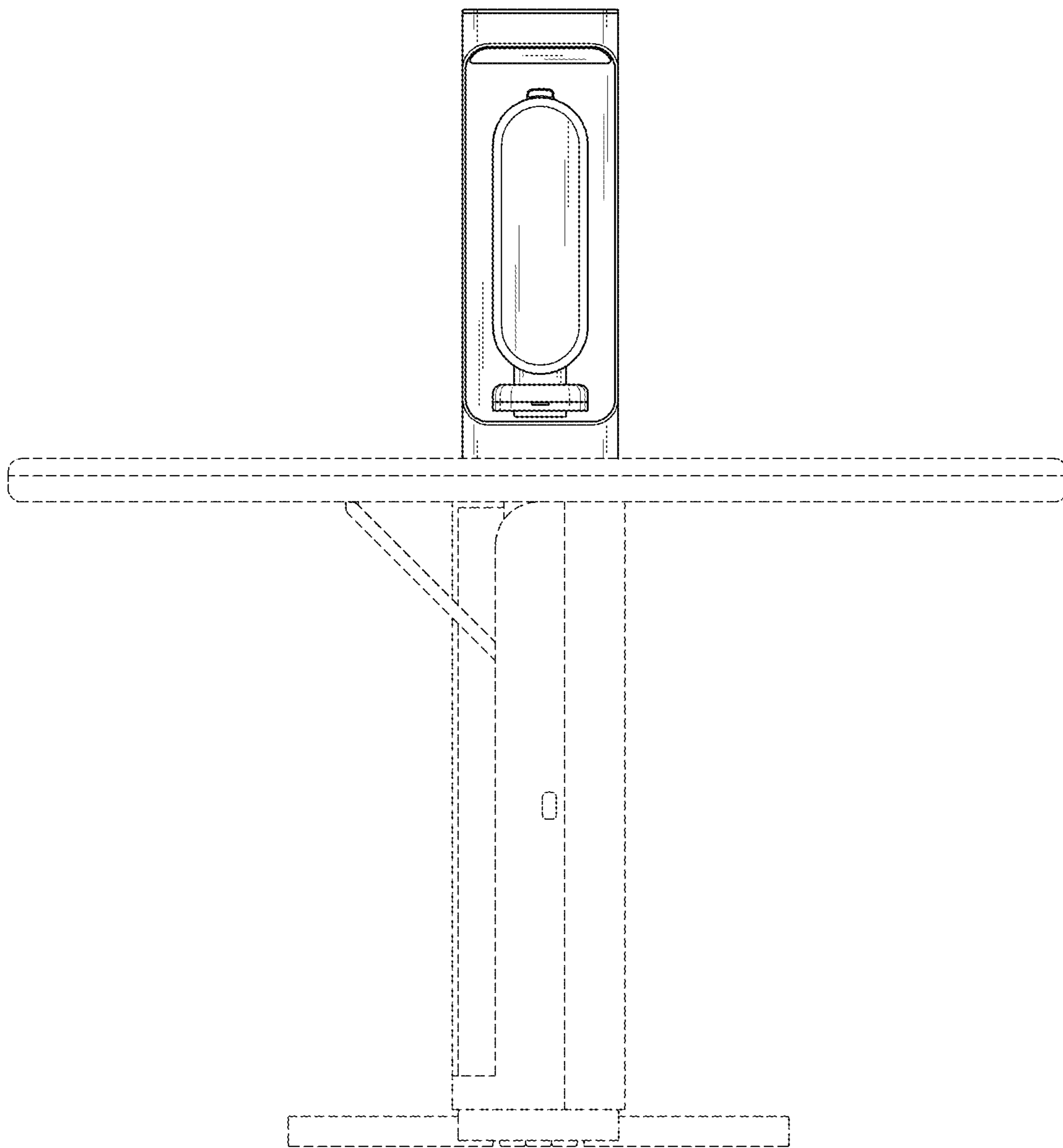


FIG. 19

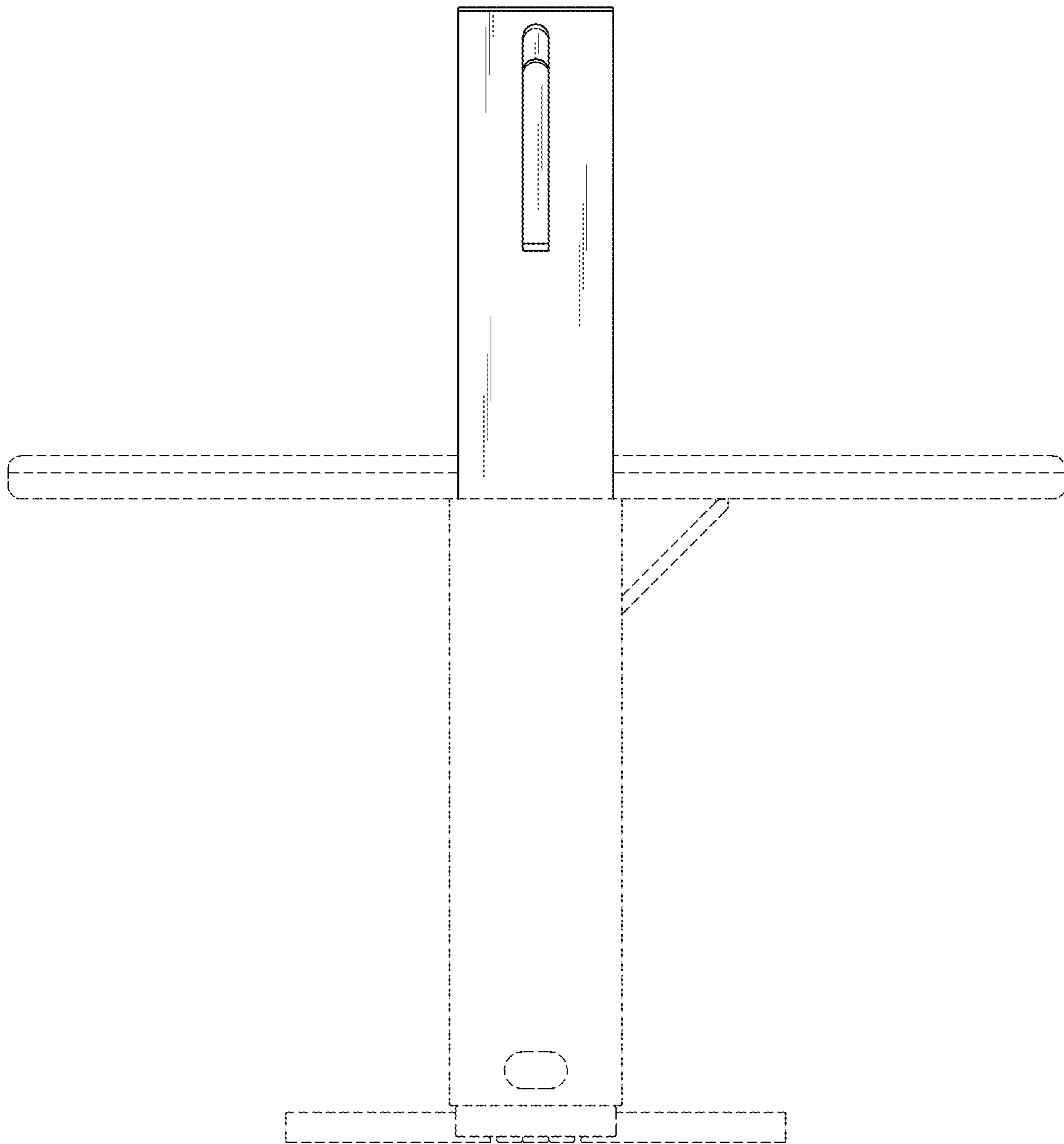


FIG. 20

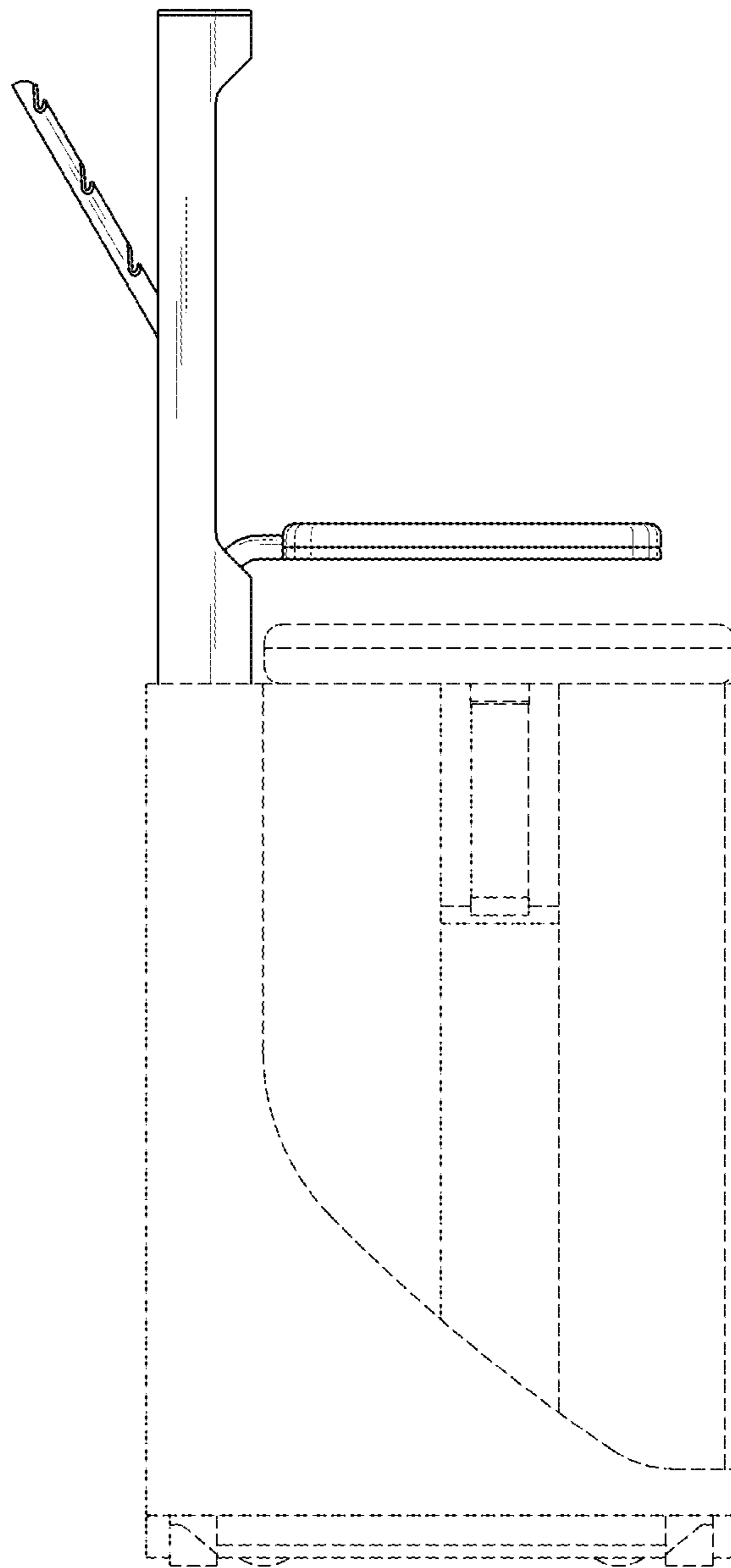


FIG. 21

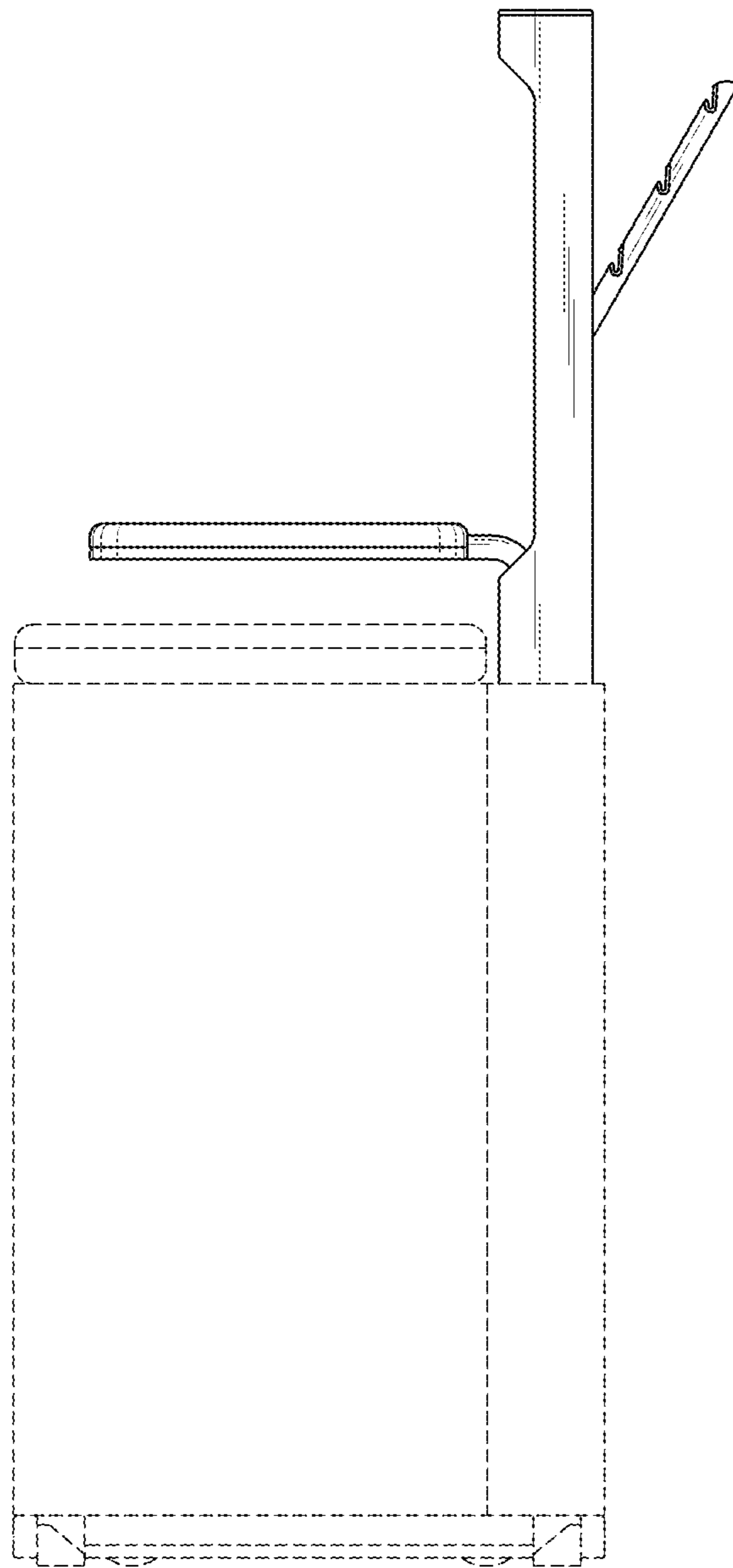


FIG. 22

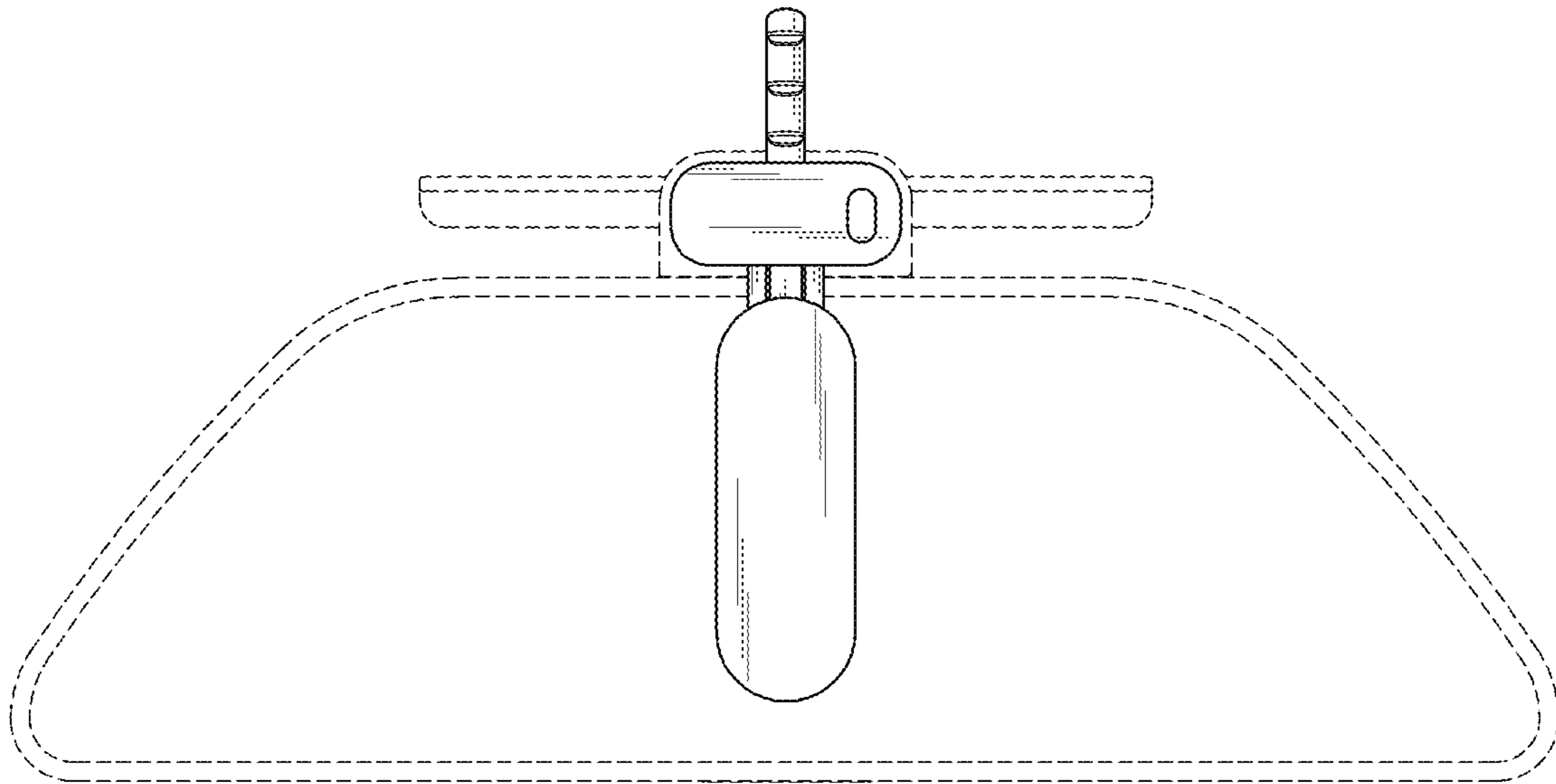


FIG. 23

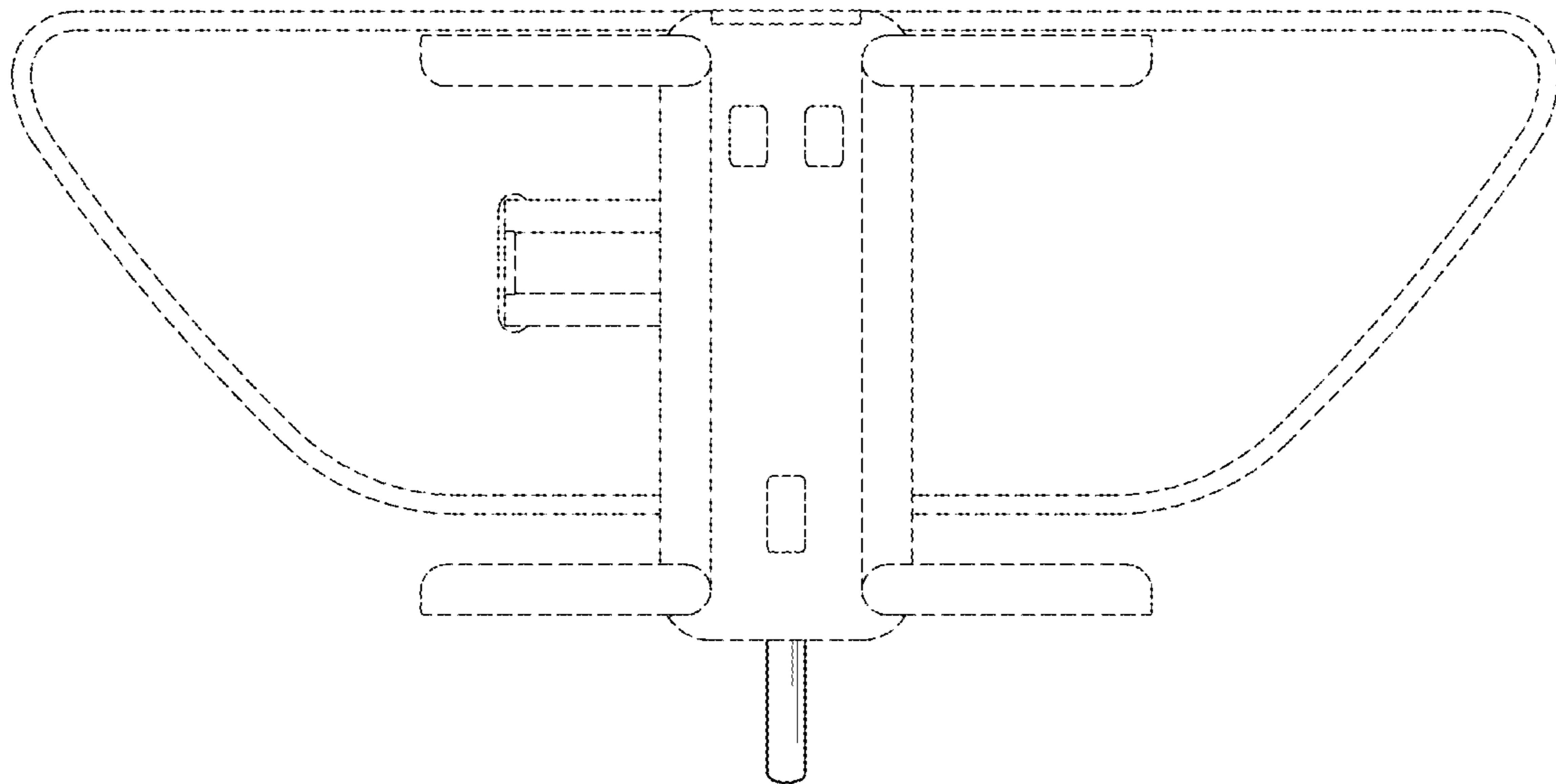


FIG. 24

