

US00D940419S

(12) **United States Design Patent**  
**Goncalves et al.**

(10) **Patent No.:** **US D940,419 S**  
(45) **Date of Patent:** **\*\* Jan. 4, 2022**

(54) **VACUUM CLEANER HEAD**  
(71) Applicant: **Dyson Technology Limited**, Wiltshire (GB)  
(72) Inventors: **Ashley Alexandre Goncalves**, Stourbridge (GB); **Frederick Michael Thornton**, Bristol (GB)  
(73) Assignee: **Dyson Technology Limited**, Malmesbury (GB)  
(\*\*) Term: **15 Years**

D520,695 S \* 5/2006 Dyson ..... D32/33  
D599,513 S \* 9/2009 Dyson ..... D32/32  
D599,514 S \* 9/2009 Knox ..... D32/32  
D600,869 S \* 9/2009 Dyson ..... D32/32  
8,966,711 B2 \* 3/2015 Millington ..... A47L 9/242  
15/411  
9,097,313 B2 \* 8/2015 Wilkinson ..... F16H 7/14  
(Continued)

(21) Appl. No.: **29/731,985**  
(22) Filed: **Apr. 20, 2020**  
(30) **Foreign Application Priority Data**

**FOREIGN PATENT DOCUMENTS**

CA 125442 \* 2/2009  
CN 305997249 \* 8/2020

Oct. 21, 2019 (EM) ..... 007076112-0001  
(51) **LOC (13) Cl.** ..... **15-05**  
(52) **U.S. Cl.**  
USPC ..... **D32/32**  
(58) **Field of Classification Search**  
USPC ..... D32/21, 22, 32, 33, 38, 39, 41, 50  
CPC ..... A46B 15/0053; A47L 13/225; A47L 9/02;  
A47L 9/0411; A47L 9/0422; A47L  
9/0461; A47L 9/0693; A47L 9/325; A47L  
11/20; A47L 11/24; A47L 11/26; A47L  
11/302; A47L 11/32; A47L 11/34; A47L  
11/4041; E01H 1/0854; E04H 4/1636;  
B04C 5/185; B08B 1/002; B08B 9/035;  
B60S 1/52; B23Q 11/0046; B23Q  
11/0071

**OTHER PUBLICATIONS**

Spares2go Mini Turbine Head Tool for Dyson Vacuum Cleaners (32mm), available in Amazon.co.uk, date first available date Nov. 30, 2017 [online], [site visited date Jun. 8, 2021], Available from the internet URL: [https://www.amazon.co.uk/dp/B077TXJ8P6/ref=cm\\_sw\\_em\\_r\\_mt\\_imm\\_awdb\\_5YHGX93TCFRV60TCKFCG](https://www.amazon.co.uk/dp/B077TXJ8P6/ref=cm_sw_em_r_mt_imm_awdb_5YHGX93TCFRV60TCKFCG) (Year: 2017).\*

See application file for complete search history.

*Primary Examiner* — Dana K Weiland  
*Assistant Examiner* — Jennylou M Binas

(56) **References Cited**

**U.S. PATENT DOCUMENTS**

D370,097 S \* 5/1996 Griffin ..... D32/33  
D419,733 S \* 1/2000 Medema ..... D32/32  
D456,967 S \* 5/2002 Santiago ..... D32/32  
D515,756 S \* 2/2006 Allard ..... D32/32

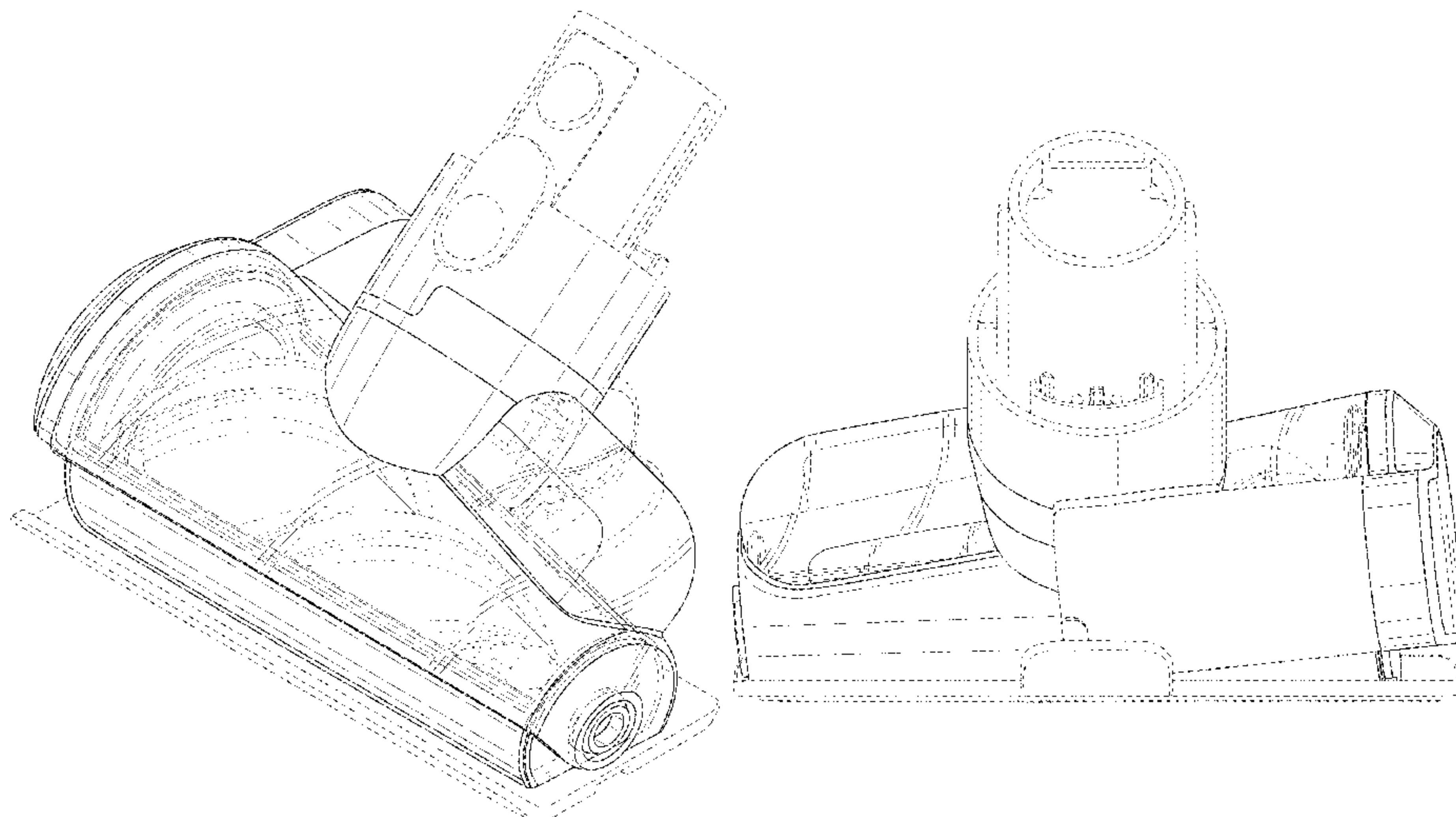
(57) **CLAIM**

We claim the ornamental design for a vacuum cleaner head, as shown and described.

**DESCRIPTION**

FIG. 1 is a front perspective view of a vacuum cleaner head showing our new design;  
FIG. 2 is a front view thereof;  
FIG. 3 is a rear view thereof;  
FIG. 4 is a side view thereof;  
FIG. 5 is a side view of the opposite side of FIG. 4;  
FIG. 6 is a top view thereof; and,  
FIG. 7 is a bottom view thereof.  
The broken lines shown in the drawings illustrate portions of a vacuum cleaner head that form no part of the claimed design.

**1 Claim, 7 Drawing Sheets**



(56)

**References Cited**

U.S. PATENT DOCUMENTS

D761,508 S \* 7/2016 Lu ..... D32/33  
D770,109 S \* 10/2016 Chu, Jr. .... D32/32  
D773,137 S \* 11/2016 Niedzwecki ..... D32/32  
D869,802 S \* 12/2019 Hribar-Green ..... D32/32  
D880,089 S \* 3/2020 Kim ..... D32/32  
2007/0256273 A1\* 11/2007 Coleman ..... A47L 9/0416  
15/387  
2020/0245831 A1\* 8/2020 Peng ..... A47L 9/02

\* cited by examiner

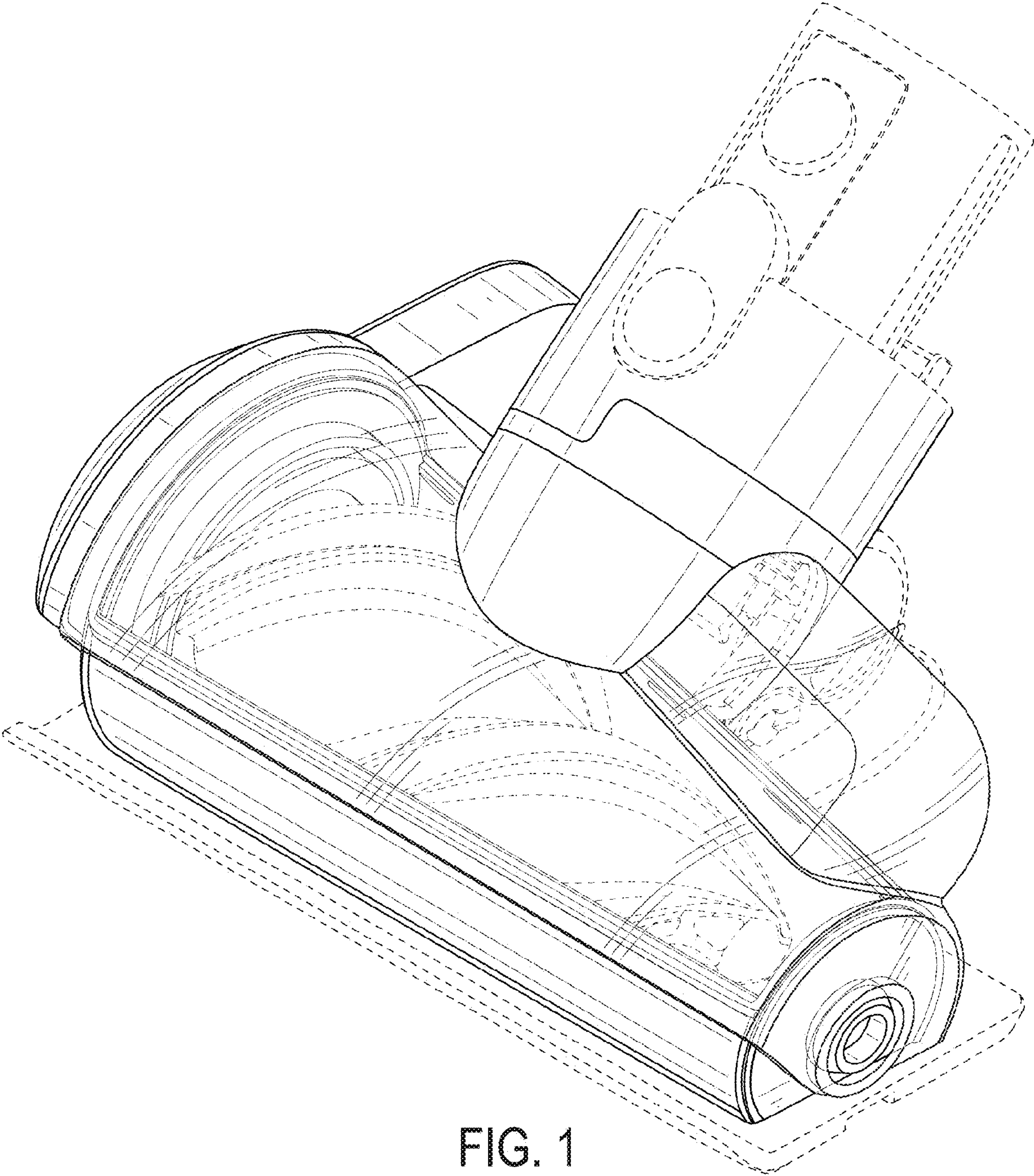


FIG. 1



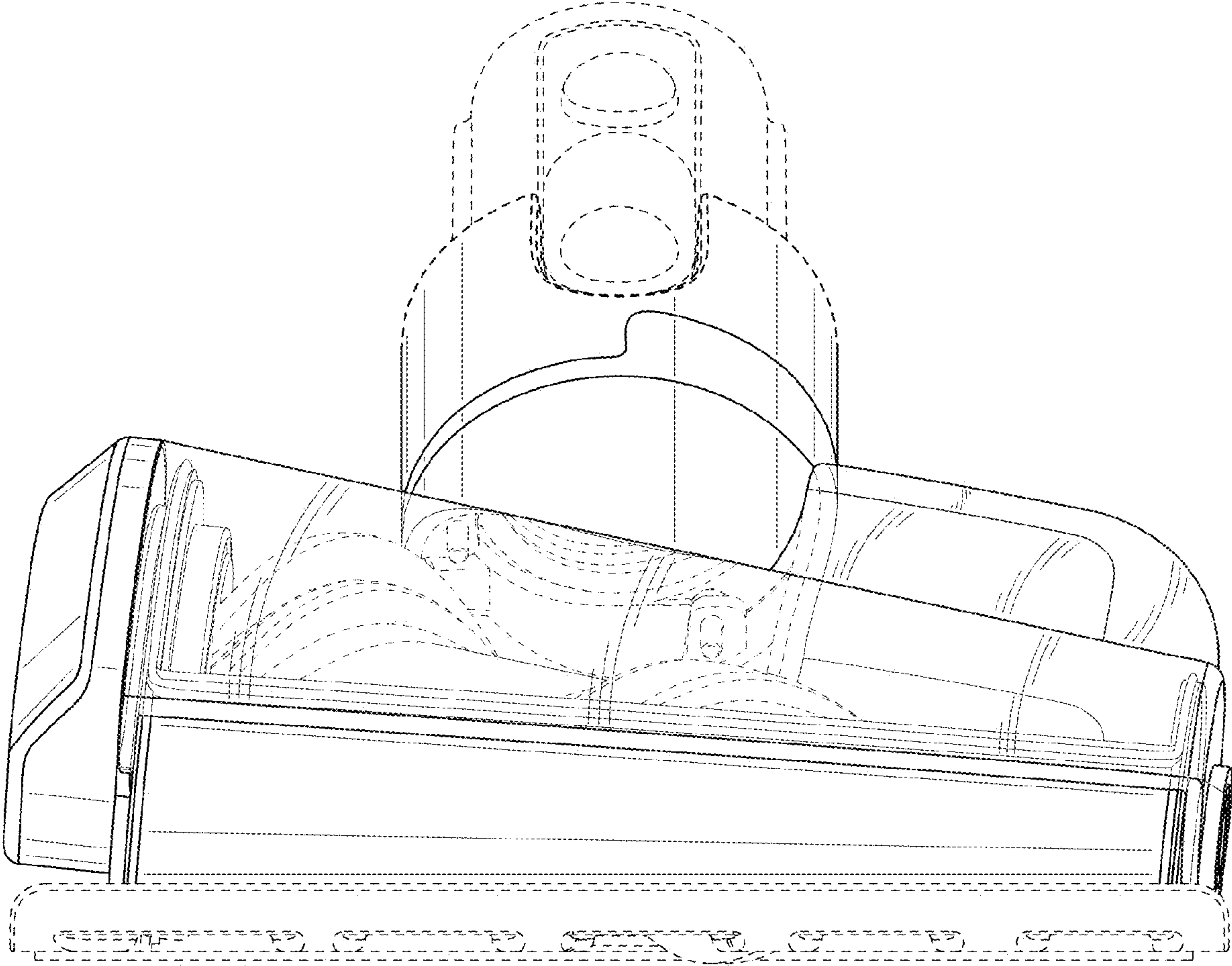


FIG. 2

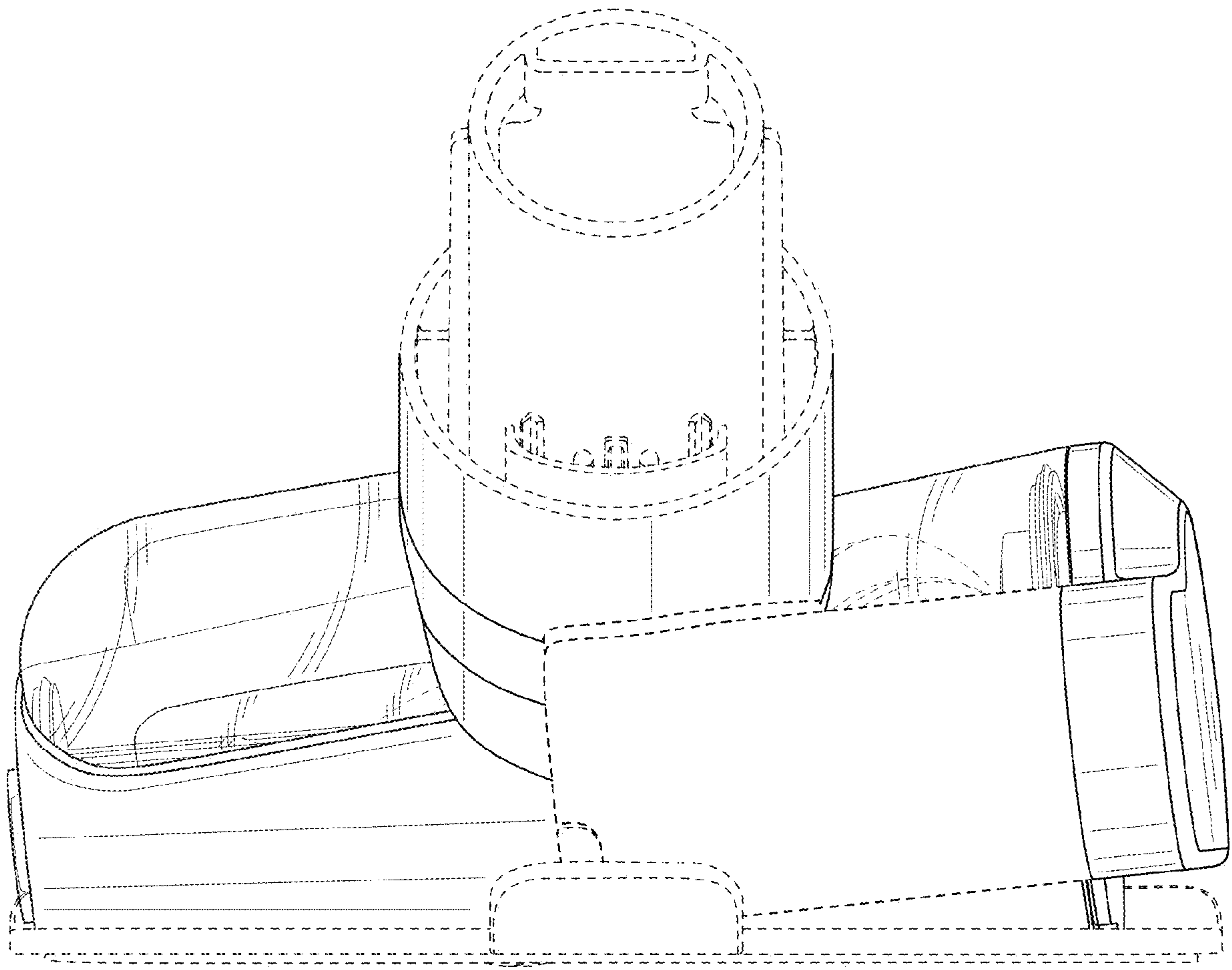


FIG. 3

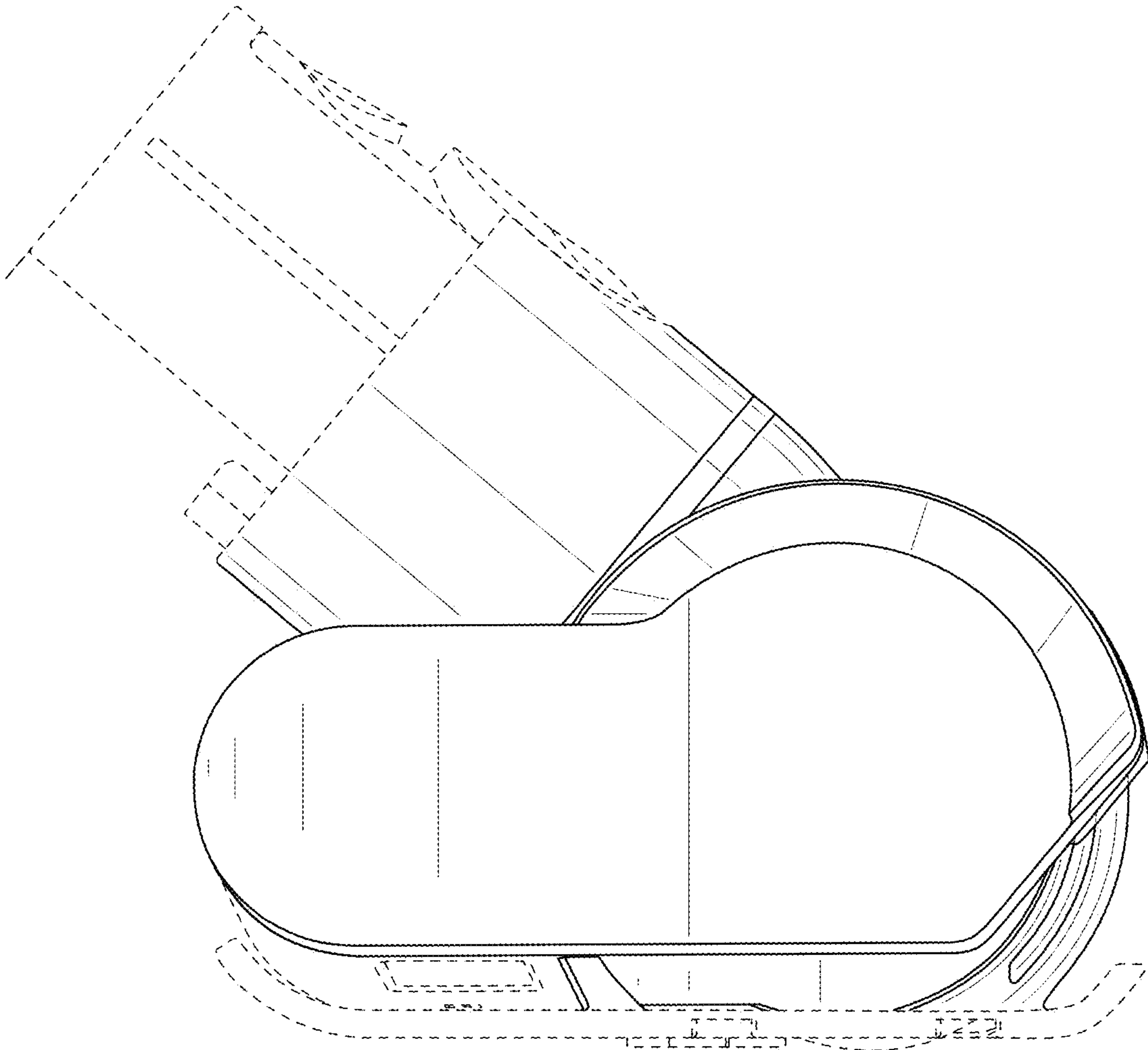


FIG. 4

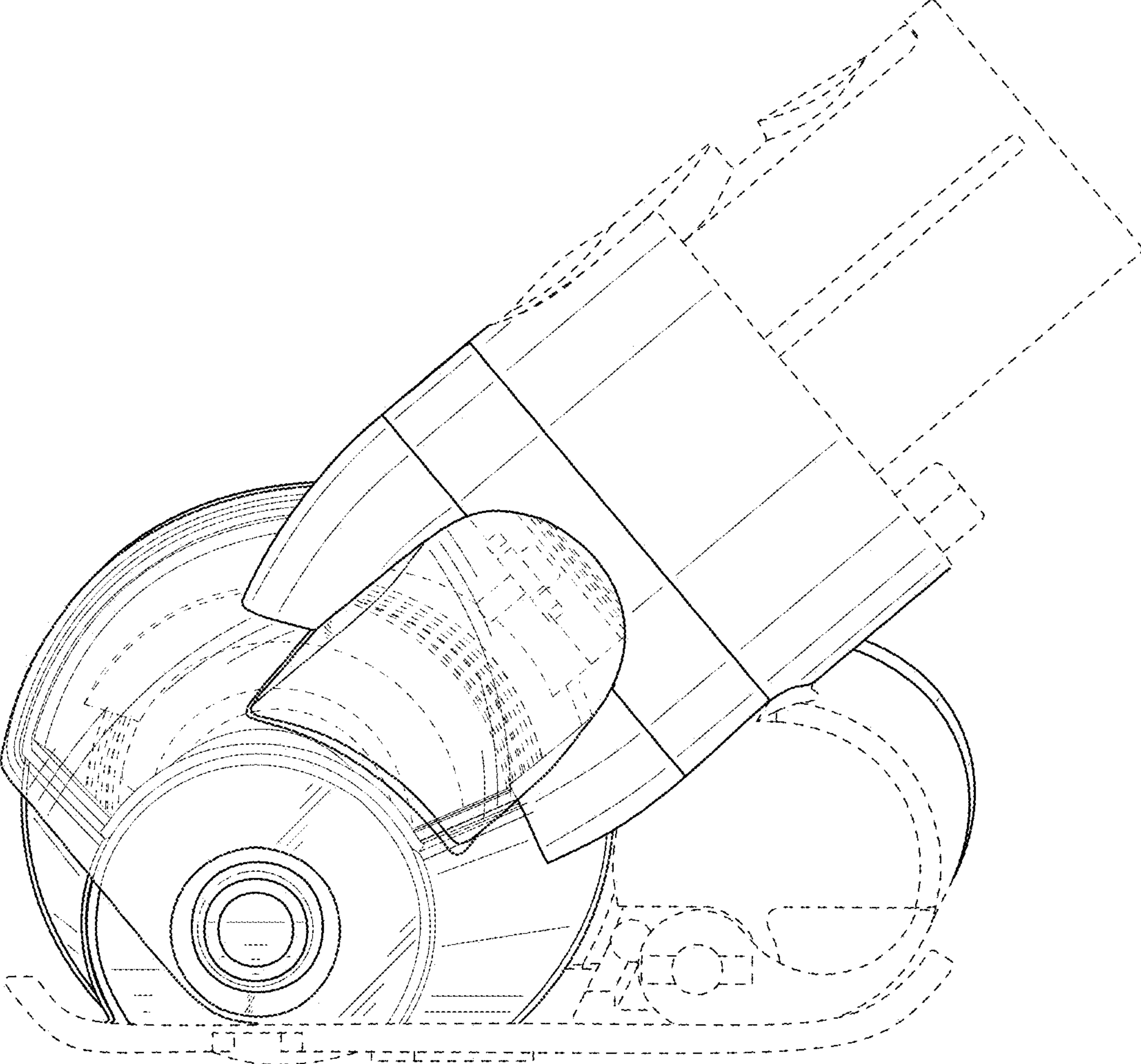


FIG. 5

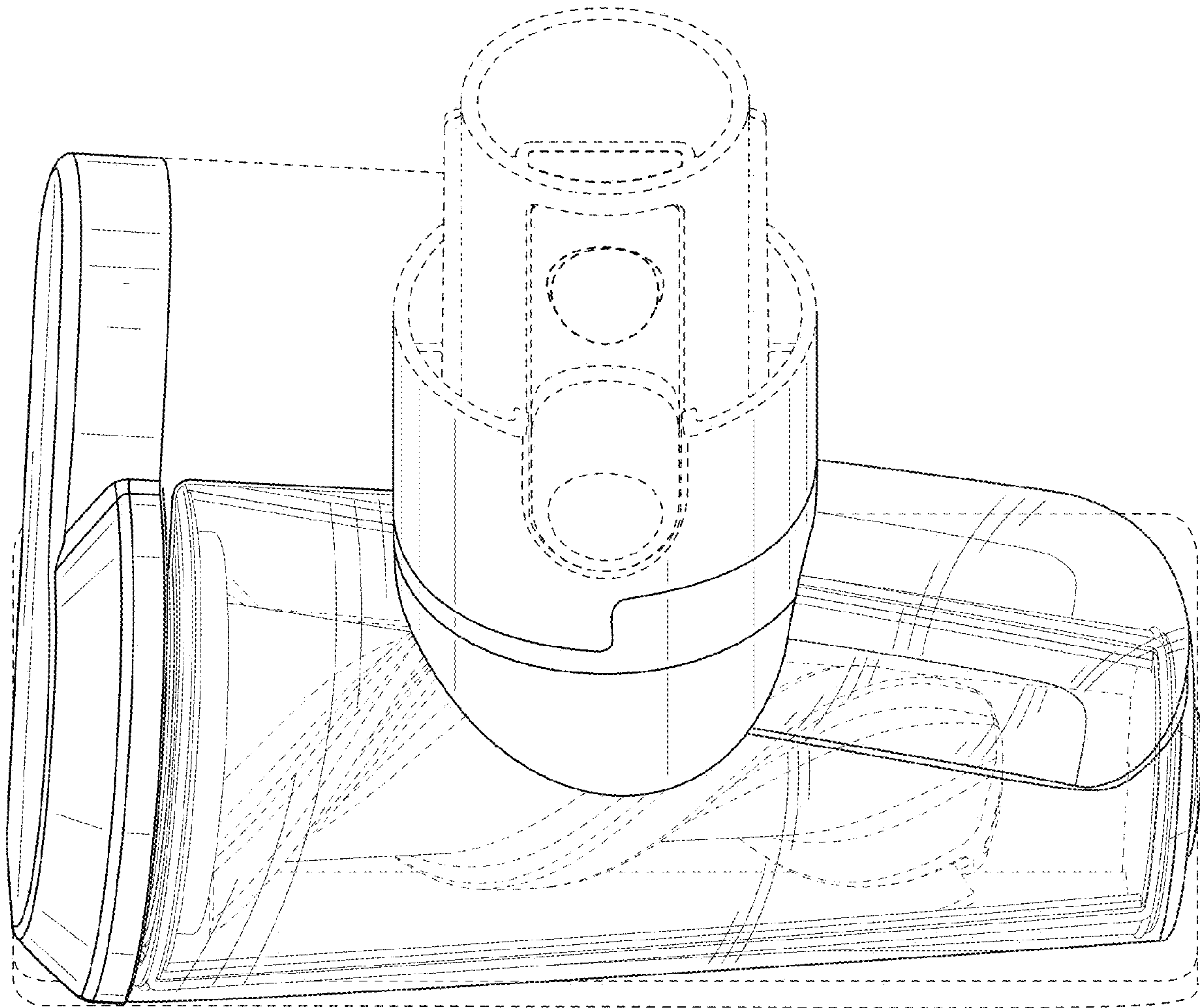


FIG. 6



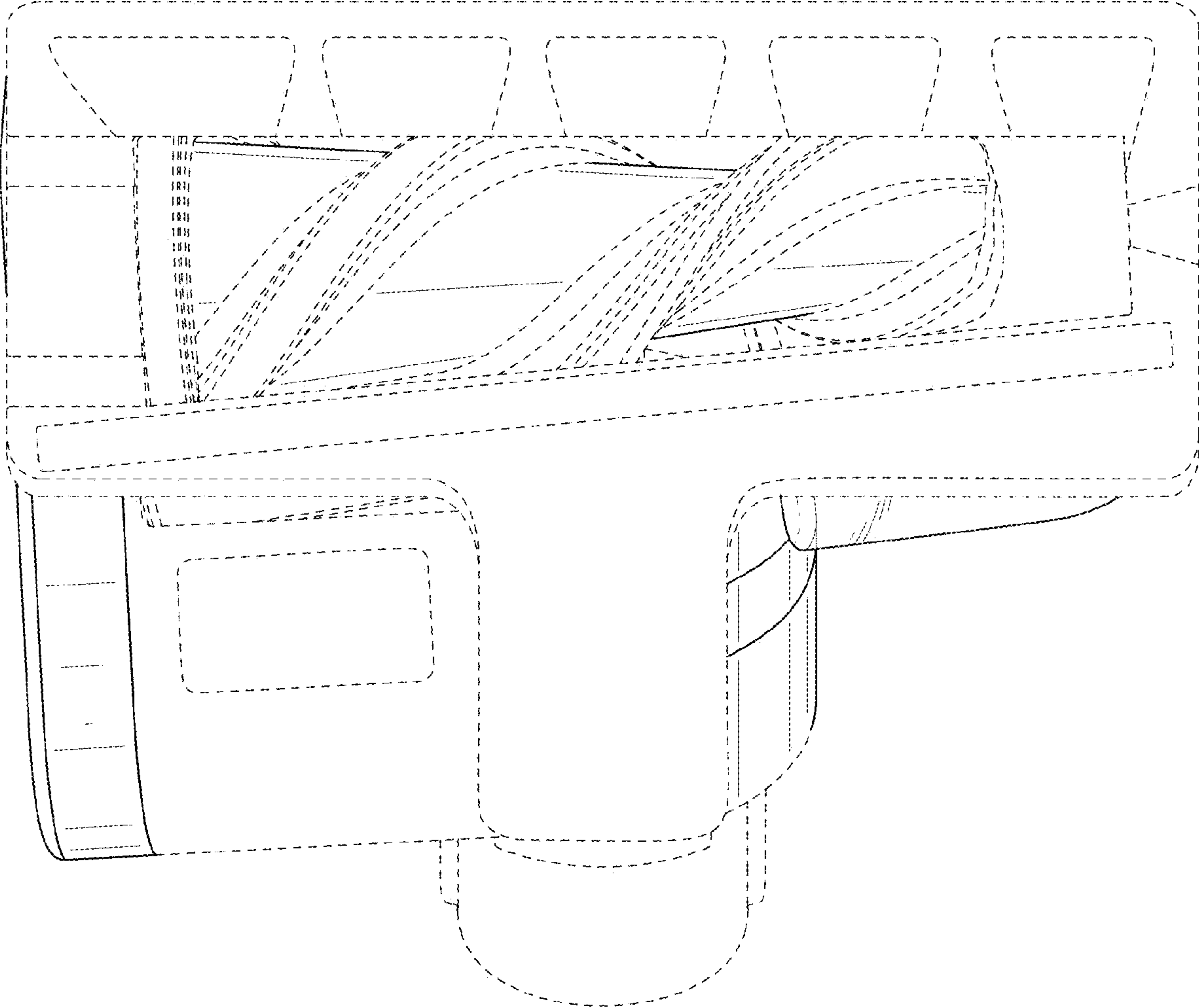


FIG. 7