



US00D940418S

(12) **United States Design Patent**
Gregory et al.

(10) **Patent No.:** **US D940,418 S**
(45) **Date of Patent:** **** Jan. 4, 2022**

(54) **LINT CATCHER**
(71) Applicant: **ADR Products, LLC**, Laramie, WY (US)
(72) Inventors: **David George Gregory**, Laramie, WY (US); **Adrienne Francesca Szabady**, Laramie, WY (US)
(73) Assignee: **ADR Products, LLC**, Laramie, WY (US)

4,034,482 A * 7/1977 Briscoe D06F 58/20
34/513
4,121,351 A 10/1978 Kapke
4,137,647 A * 2/1979 Clark, Jr. D06F 58/20
34/82
4,183,150 A * 1/1980 Nash D06F 58/20
34/86
D258,609 S * 3/1981 Vogt D23/364
(Continued)

(**) Term: **15 Years**

(21) Appl. No.: **29/811,951**

(22) Filed: **Oct. 18, 2021**

Related U.S. Application Data

(63) Continuation of application No. 29/723,904, filed on Feb. 11, 2020, which is a continuation of application No. 16/284,580, filed on Feb. 25, 2019, now Pat. No. 10,982,378, which is a continuation of application No. 15/453,652, filed on Mar. 8, 2017, now Pat. No. 10,214,851, which is a continuation of application No. 14/194,604, filed on Feb. 28, 2014, now Pat. No. 9,593,447.

(51) **LOC (13) Cl.** **15-05**

(52) **U.S. Cl.**
USPC **D32/30**

(58) **Field of Classification Search**
USPC D32/3, 8, 10, 25, 30, 35, 39
CPC D06F 58/20; D06F 58/22; D06F 58/14;
B41F 35/06; B41F 35/02; B01D 46/10;
B01D 46/0004; B01D 46/2411; G03G
15/168; F02M 35/024; F24F 13/08; F24F
13/075; F26B 25/007

See application file for complete search history.

(56) **References Cited**

U.S. PATENT DOCUMENTS

3,487,624 A * 1/1970 Gerald B01D 46/10
55/482
3,999,304 A 12/1976 Doty

OTHER PUBLICATIONS

Better Vent https://www.amazon.com/BetterVent-Indoor-Dryer-Vent-Kit/dp/B00Q4X2FSM/ref=asc_df_B00Q4X2FSM/ (Year: 2015).*
(Continued)

Primary Examiner — Michelle E. Wilson
Assistant Examiner — Richard E Yenchesky
(74) *Attorney, Agent, or Firm* — Craig R. Miles; CR Miles P.C.

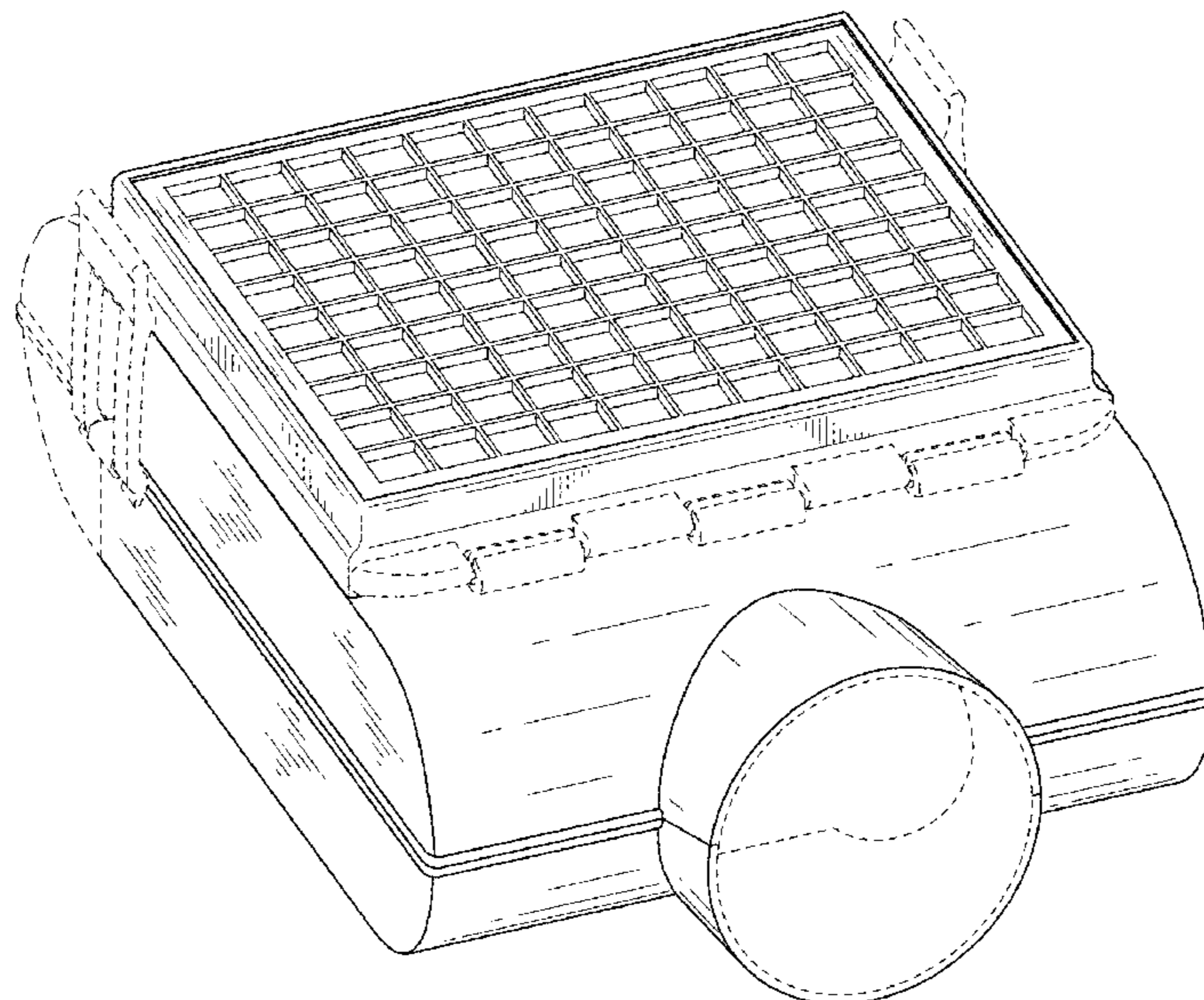
(57) **CLAIM**

We claim the ornamental design for a lint catcher, as shown and described.

DESCRIPTION

FIG. 1 is a perspective view of a lint catcher, embodying our new design;
FIG. 2 is a first end elevation view thereof;
FIG. 3 is a second end elevation view thereof;
FIG. 4 is a first side elevation view thereof;
FIG. 5 is a second side elevation view thereof;
FIG. 6 is top plan view thereof; and,
FIG. 7 is a bottom plan view thereof.
The broken lines shown in the drawings illustrate portions of the lint catcher that form no part the claimed design.

1 Claim, 6 Drawing Sheets



(56)

References Cited

U.S. PATENT DOCUMENTS

4,338,731 A 7/1982 Shames et al.
 4,395,831 A 8/1983 Nielsen
 4,434,564 A 3/1984 Braggins, Jr.
 RE31,562 E 4/1984 Bede
 D281,271 S * 11/1985 Meyer D23/365
 D283,247 S * 4/1986 Margiloff D23/343
 4,773,922 A * 9/1988 Ross B01D 46/0004
 55/481
 4,967,490 A * 11/1990 Berger D06F 58/20
 34/235
 4,969,276 A * 11/1990 Walsh D06F 58/20
 34/90
 5,210,960 A * 5/1993 LaRue F26B 25/007
 34/82
 5,236,478 A * 8/1993 Lewis D06F 58/22
 55/319
 5,265,537 A * 11/1993 Gasparrini B41F 35/06
 101/423
 5,463,820 A 11/1995 La Rue
 5,482,507 A * 1/1996 Priest F24F 13/075
 34/235
 5,547,422 A * 8/1996 Seboldt F24F 13/08
 454/359
 D381,480 S * 7/1997 Linville D15/17
 5,675,908 A * 10/1997 Barnes D06F 58/22
 34/235
 5,755,158 A * 5/1998 Wolfe B41F 35/02
 101/424
 5,916,023 A * 6/1999 Meyer D06F 58/14
 454/359
 D411,901 S * 7/1999 Gomulinski D32/25
 6,016,610 A 1/2000 Sears
 6,101,741 A 8/2000 Sears
 6,709,499 B2 3/2004 Moschutz
 6,799,514 B2 * 10/2004 Boatman B41F 35/02
 101/424.1

6,881,237 B2 * 4/2005 Storz F02M 35/024
 123/198 E
 6,966,126 B2 11/2005 Baurmann
 6,971,186 B1 12/2005 Chin et al.
 6,997,966 B2 * 2/2006 Iantorno B01D 46/10
 34/604
 D534,325 S * 12/2006 Kramer D32/30
 7,213,349 B1 5/2007 Brunner
 7,497,030 B2 3/2009 Belgard
 D689,250 S * 9/2013 Zelaya D32/25
 D717,933 S * 11/2014 McClelland D23/365
 8,893,399 B2 11/2014 Gregory et al.
 9,382,658 B2 * 7/2016 Tarifi D06F 58/22
 D770,026 S * 10/2016 Morgan B01D 46/2411
 D23/365
 9,593,441 B2 * 3/2017 Gregory D06F 58/20
 10,214,851 B2 2/2019 Gregory et al.
 D851,343 S * 6/2019 Hinchliffe D32/31
 D890,231 S * 7/2020 Suchman D15/122
 10,969,728 B2 * 4/2021 Goebel G03G 15/168
 10,975,516 B2 * 4/2021 Bailey D06F 58/22
 10,982,378 B2 4/2021 Gregory et al.
 D922,705 S * 6/2021 Baldwin D32/35
 D930,053 S * 9/2021 Suchman D15/122
 2005/0252022 A1 11/2005 Tyau
 2008/0022550 A1 1/2008 Masters
 2010/0018071 A1 1/2010 McKinley

OTHER PUBLICATIONS

U.S. Appl. No. 61/629,602, filed Nov. 22, 2011.
 FEMA. Clothes Dryer Fires in Residential Buildings. Topical Fire Research Series, Jan. 2007, vol. 7, Issue 1, pp. 1-6.
 Lee, et al. Measurement of Developing Turbulent Flow in a U-Bend of Circular Cross-Section. Journal of Nechanical Science and Technology, 2007, vol. 21, No. 2, pp. 348-359.
 Design U.S. Appl. No. 29/723,904, filed Feb. 11, 2020.

* cited by examiner

FIG. 1

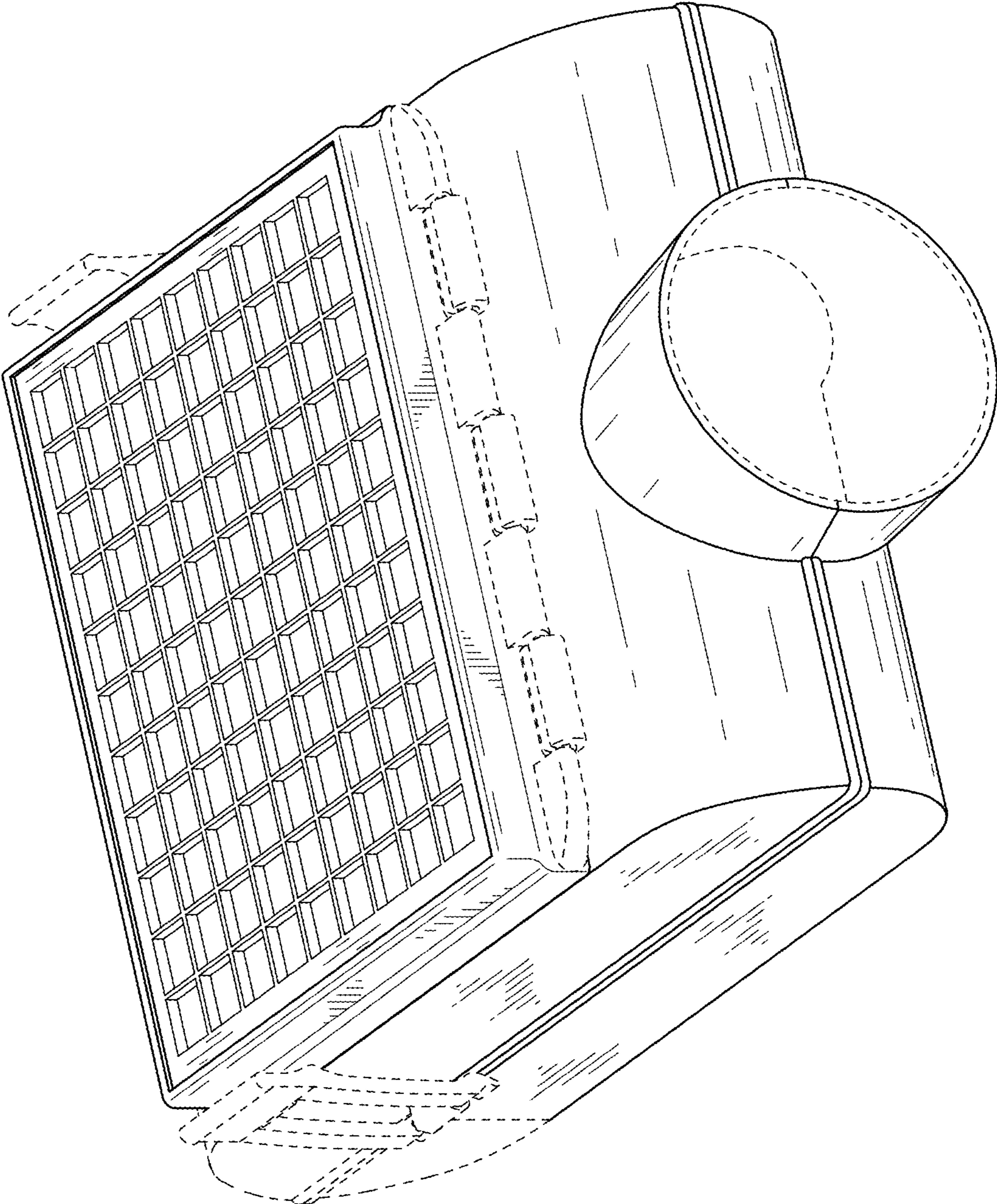


FIG. 2

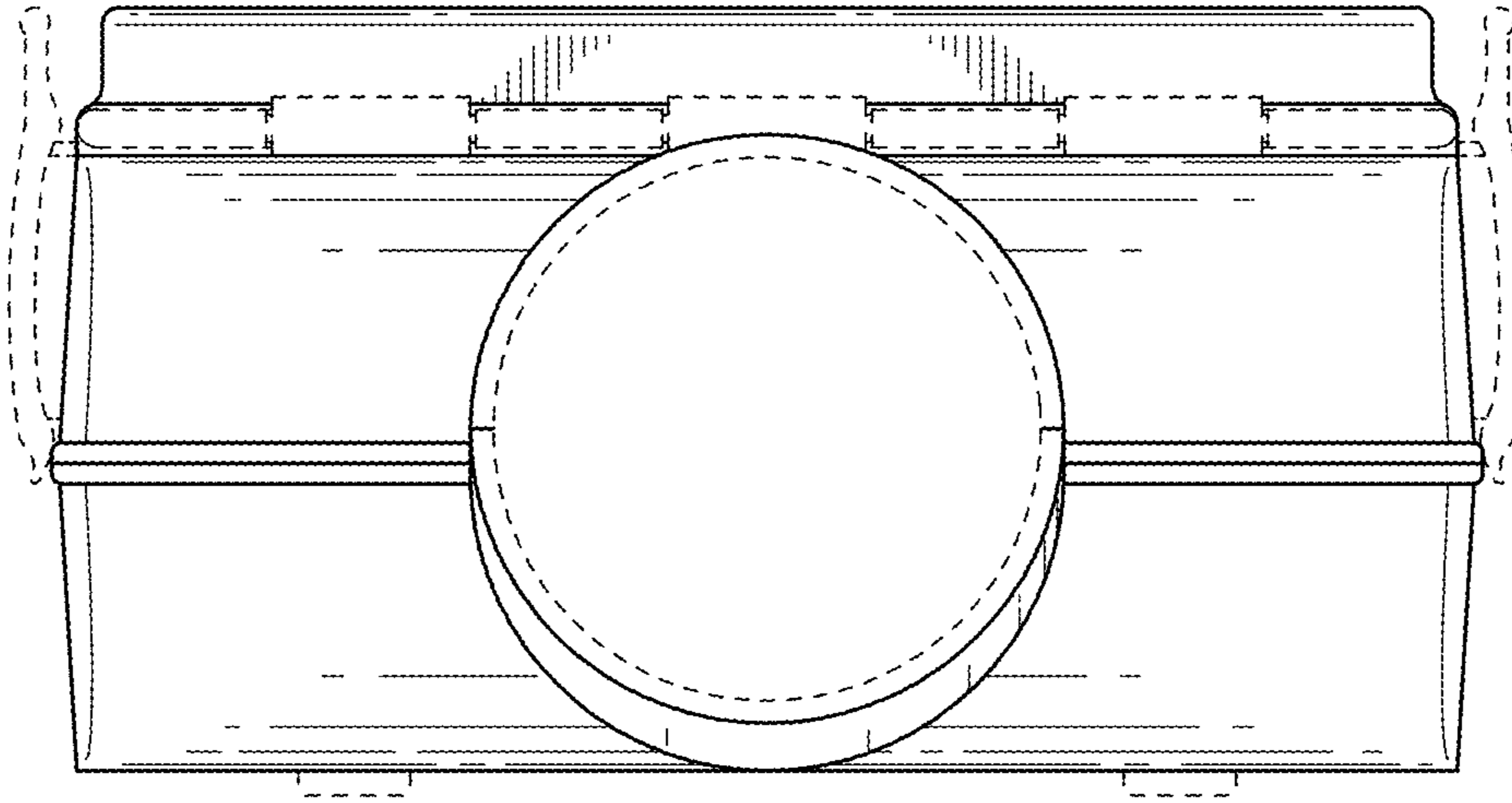


FIG. 3

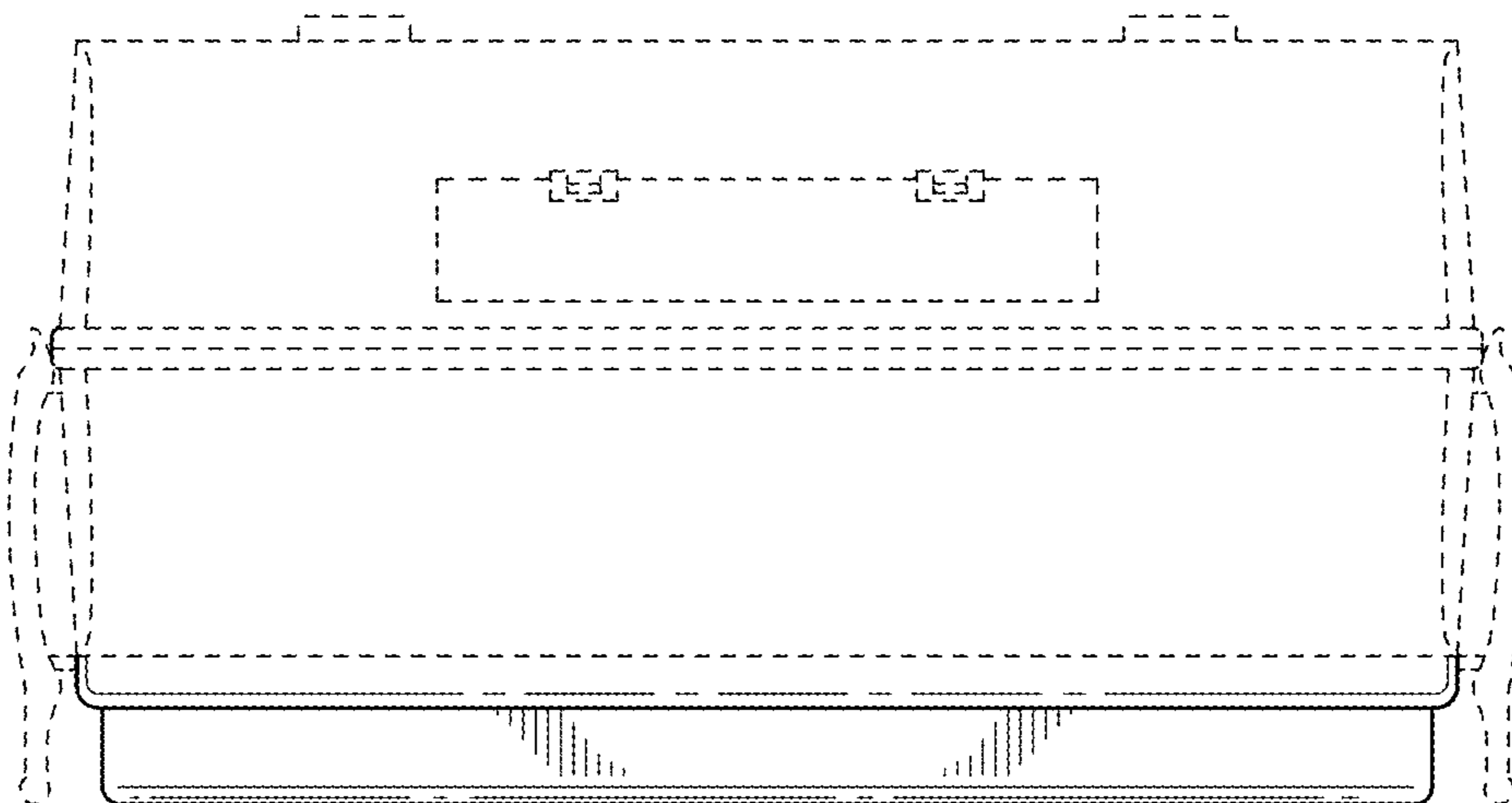


FIG. 4

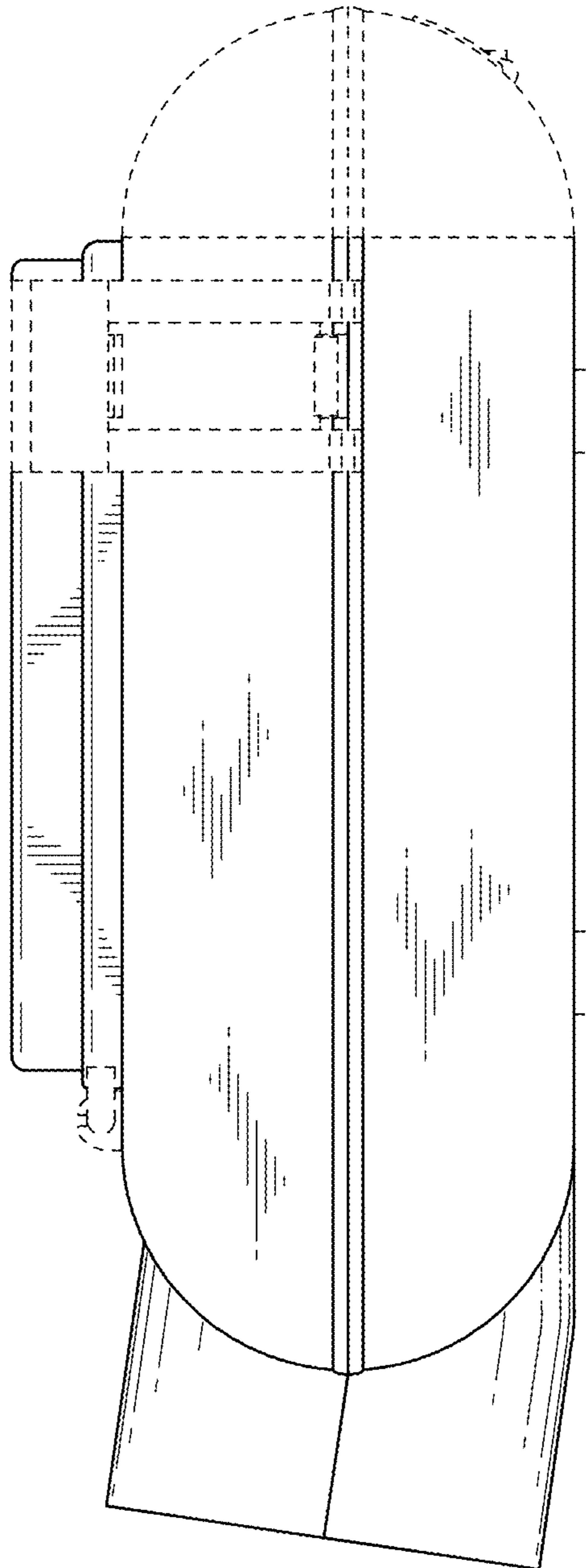


FIG. 5

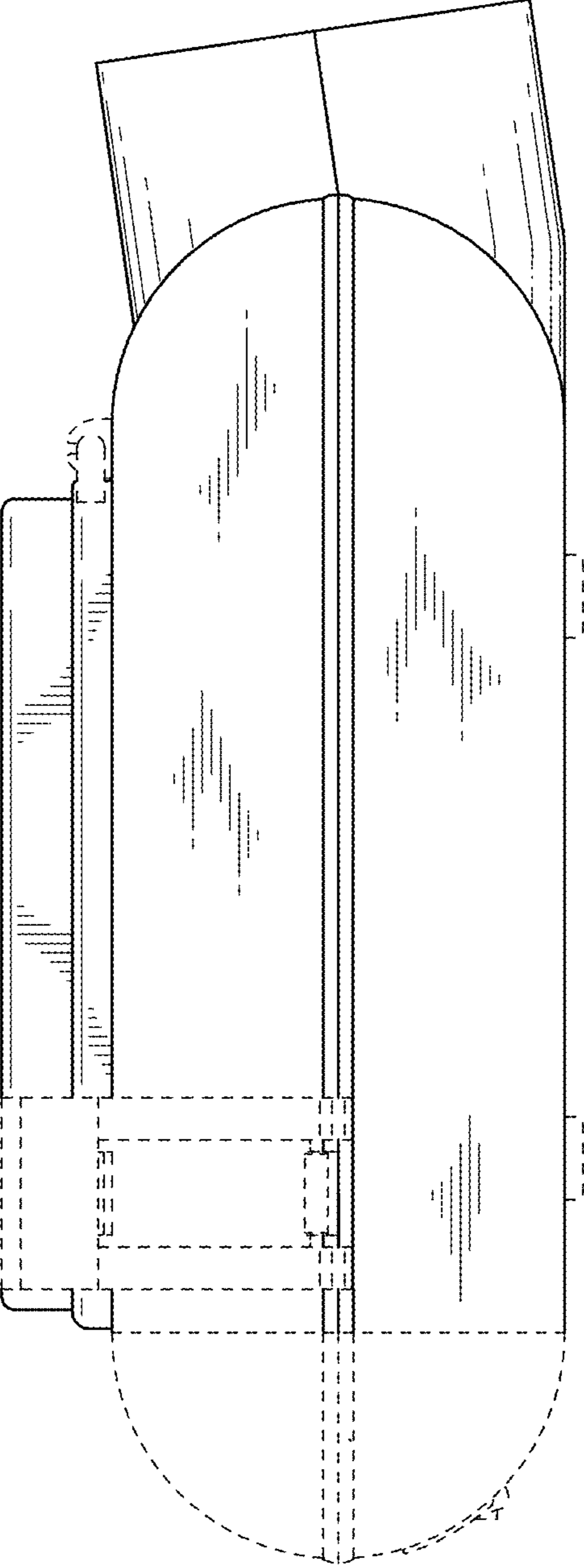


FIG. 6

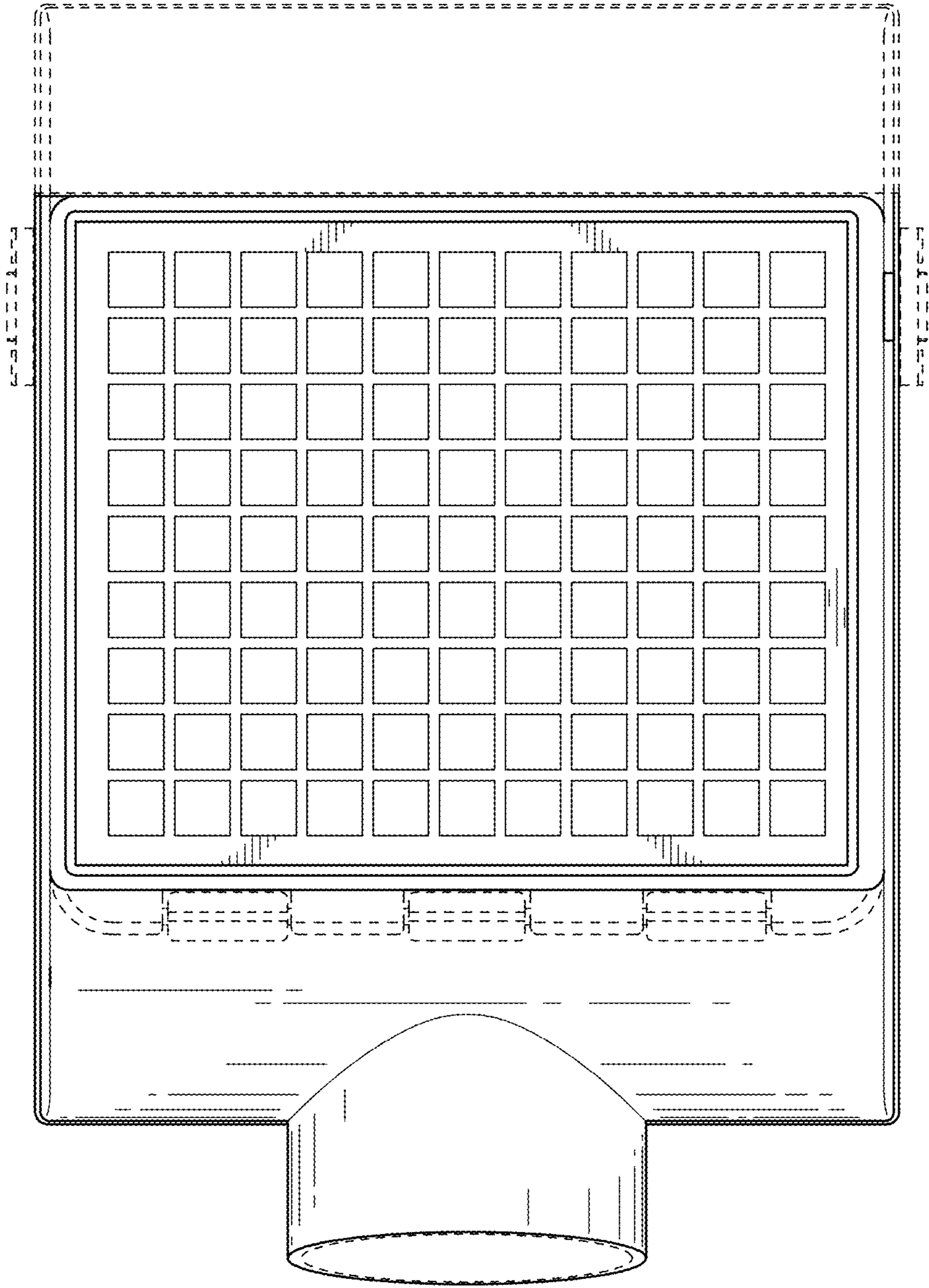


FIG. 7

