



US00D940416S

(12) **United States Design Patent** (10) **Patent No.:** **US D940,416 S**
Liu (45) **Date of Patent:** **** Jan. 4, 2022**

(54) **SUPPORTING PLATE**
(71) Applicant: **BEIJING ROBOROCK TECHNOLOGY CO., LTD.**, Beijing (CN)
(72) Inventor: **Xiaoming Liu**, Beijing (CN)
(73) Assignee: **BEIJING ROBOROCK TECHNOLOGY CO., LTD.**, Beijing (CN)

D867,701 S * 11/2019 Mi D32/31
D868,407 S * 11/2019 Mi D32/35
D868,408 S * 11/2019 Mi D32/45
D869,109 S * 12/2019 Yu D32/21
D884,298 S * 5/2020 Li D32/21
D901,110 S * 11/2020 Li D32/21
D919,210 S * 5/2021 Mi D32/21
D919,211 S * 5/2021 Chang D32/21
D921,308 S * 6/2021 Cao D32/21

(Continued)

(**) Term: **15 Years**

(21) Appl. No.: **29/726,676**

(22) Filed: **Mar. 4, 2020**

(30) **Foreign Application Priority Data**

Sep. 5, 2019 (CN) 201930489557.X

(51) **LOC (13) Cl.** **15-05**

(52) **U.S. Cl.**
USPC **D32/21**

(58) **Field of Classification Search**
USPC D8/70, 310, 330; D10/37, 38, 50, 106.2, D10/106.5; D13/108, 109; D14/218, D14/248, 341, 344; D21/526, 578; D23/254; D32/21, 31
CPC A47L 9/1409; A47L 11/28; A47L 11/204; A47L 11/40; A47L 11/4083; A47L 11/4088
See application file for complete search history.

(56) **References Cited**

U.S. PATENT DOCUMENTS

D690,478 S * 9/2013 Li D32/21
8,973,214 B2 * 3/2015 Conrad A47L 9/1608
15/353
D790,373 S * 6/2017 Daoura D10/70
D840,617 S * 2/2019 Dou D32/21

OTHER PUBLICATIONS

“Roborock S6 Pure/E4/E5 Robot Vacuum Water Tank, Robotic Vacuum Mopping System.” Amazon., Aug. 10, 2020 [online], [retrieved on Nov. 8, 2021]. Retrieved from the Internet <URL: https://www.amazon.com/Roborock-Robot-Vacuum-Left-Wheel/dp/B07CNV36DF/ref=pd_Ipo_3?pd_rd_i=B07CNV36DF&psc=1>.*

(Continued)

Primary Examiner — Darlington Ly

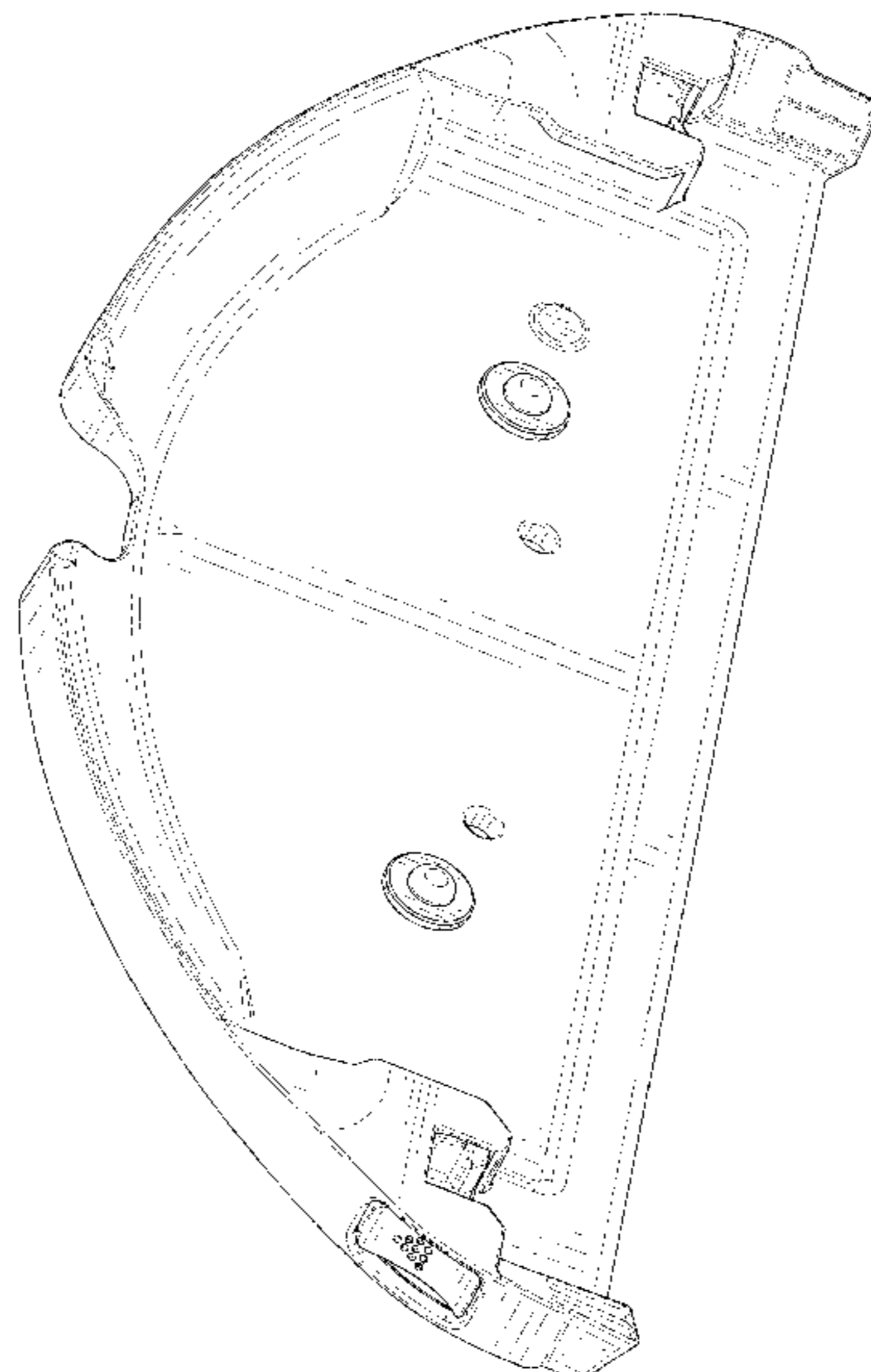
(57) **CLAIM**

The ornamental design for a supporting plate, as shown and described.

DESCRIPTION

FIG. 1 is a perspective view of a supporting plate showing my new design;
FIG. 2 is another perspective view thereof;
FIG. 3 is a front elevational view thereof;
FIG. 4 is a rear elevational view thereof;
FIG. 5 is a left side elevational view thereof;
FIG. 6 is a right side elevational view thereof;
FIG. 7 is a top plan view thereof;
FIG. 8 is a bottom plan view thereof;
FIG. 9 is an enlarged view of portion 9 shown in FIG. 2; and,
FIG. 10 is an enlarged view of portion 10 shown in FIG. 6.
The broken lines illustrate portions of the supporting plate that form no part of the claimed design.

1 Claim, 10 Drawing Sheets



(56)

References Cited

U.S. PATENT DOCUMENTS

D921,309 S * 6/2021 Liu D32/21
D933,319 S * 10/2021 Lyu D32/21
2015/0376828 A1 * 12/2015 Seo D06F 29/00
68/3 R
2019/0171222 A1 * 6/2019 Nan G05D 1/0238
2019/0290091 A1 * 9/2019 Liang A47L 9/0477
2020/0046192 A1 * 2/2020 Zhang A47L 11/28
2021/0106202 A1 * 4/2021 MI A47L 11/282

OTHER PUBLICATIONS

“RONGJU Accessories Kit for Roborock S50 S55 S60 S61 S65 E20 E25 E35 Xiaomi Mi Mijia Robo.” Amazon., Mar. 5, 2021 [online], [retrieved on Nov. 8, 2021]. Retrieved from the Internet <URL: https://www.amazon.com/RONGJU-Accessories-Roborock-Robotic-Cleaner/dp/B08NB4WTF3/ref=pd_Ipo_2?pd_rd_i=B08NB4WTF3&psc=1>.*

“Roborock Robot Vacuum Cleaner Mop Cloth Bracket Only for S5-Max and S6-MaxV(Black).” Amazon., Feb. 4, 2021 [online], [retrieved on Nov. 8, 2021]. Retrieved from the Internet <URL: <https://www.amazon.com/Roborock-Robot-Vacuum-Cleaner-Water/dp/B086DP5NJD?th=1>>.*

* cited by examiner

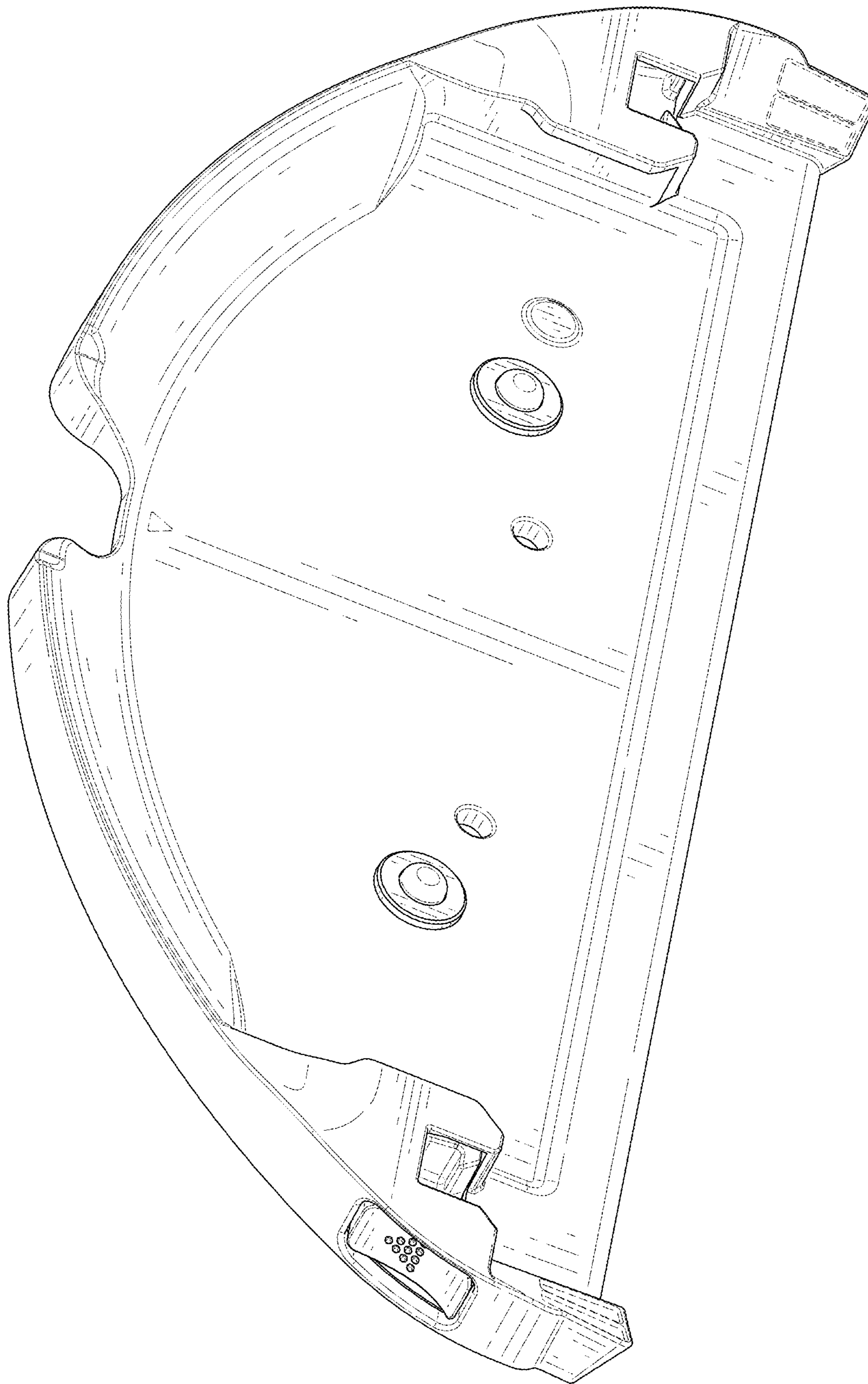


FIG. 1

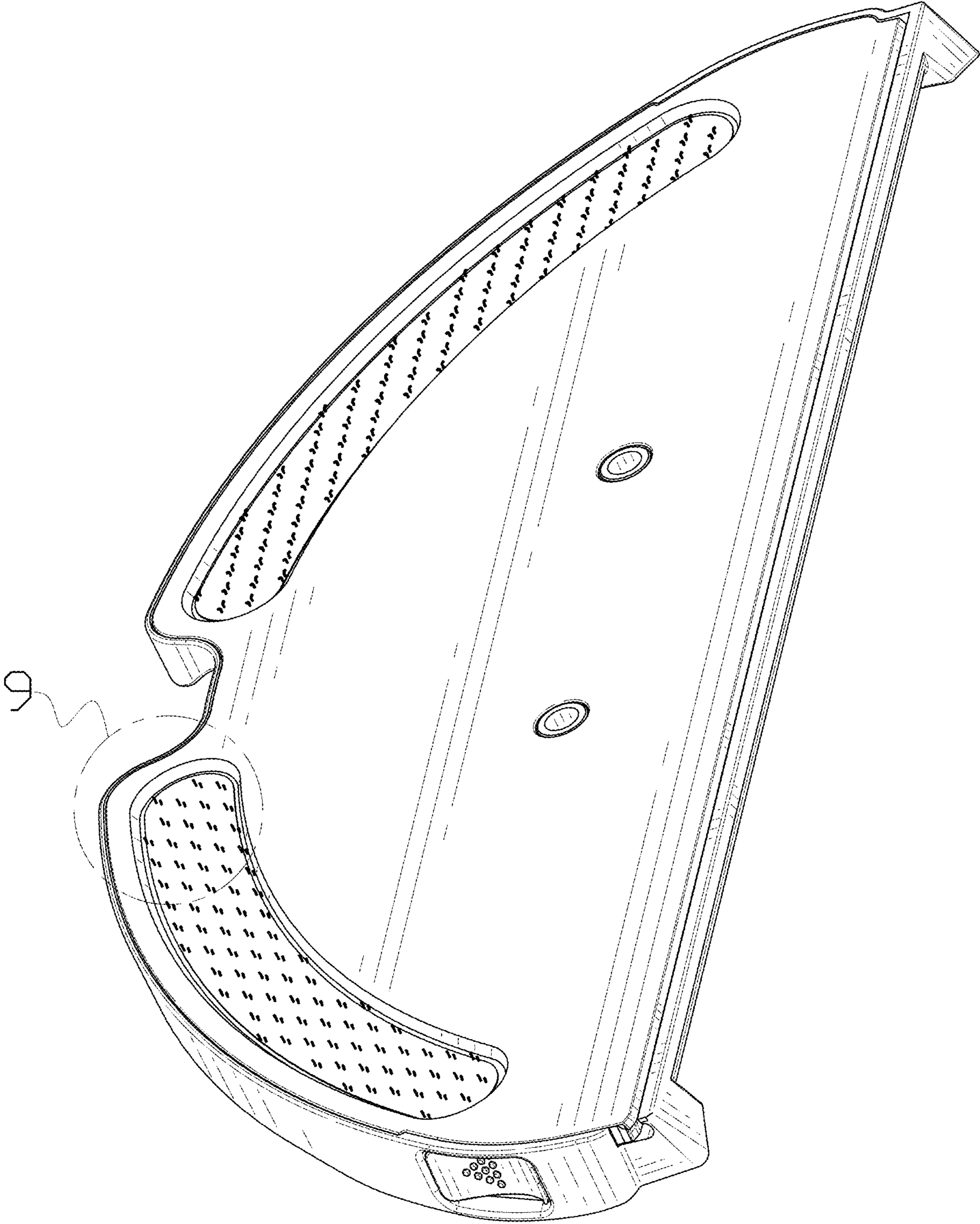


FIG. 2

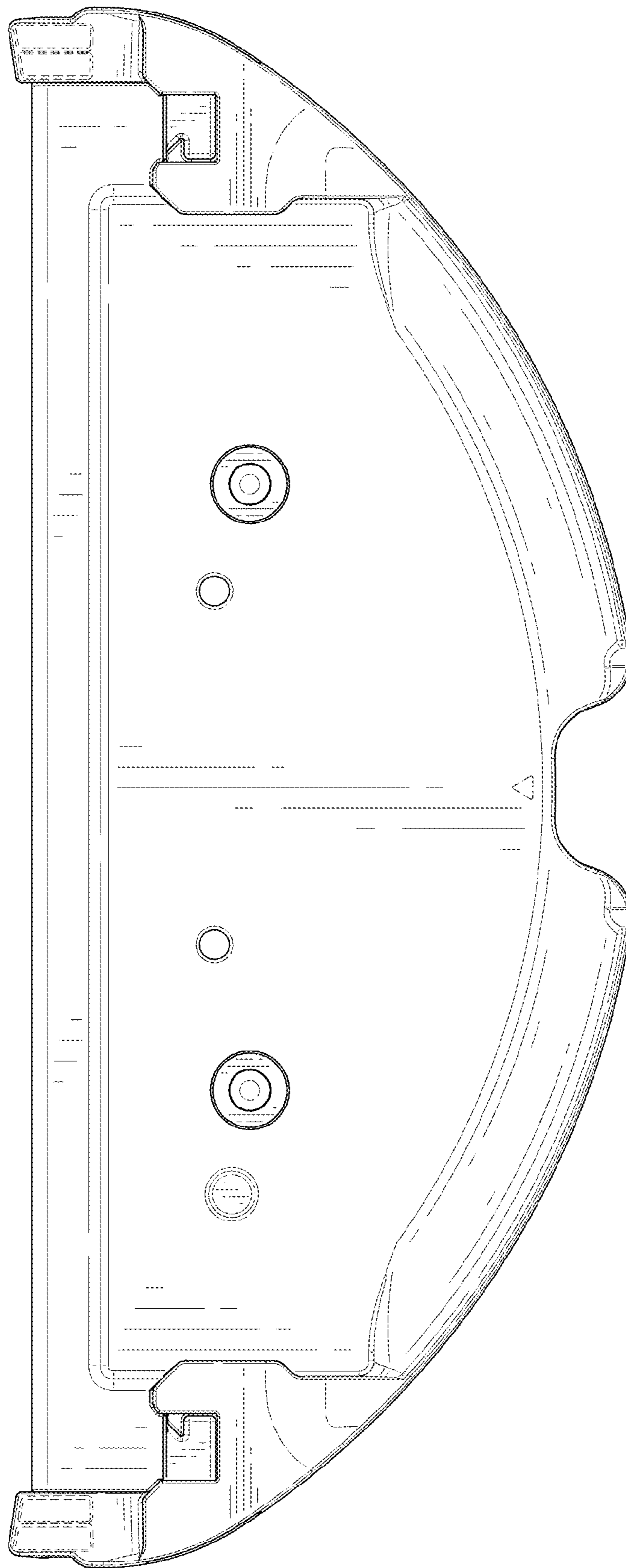


FIG. 3

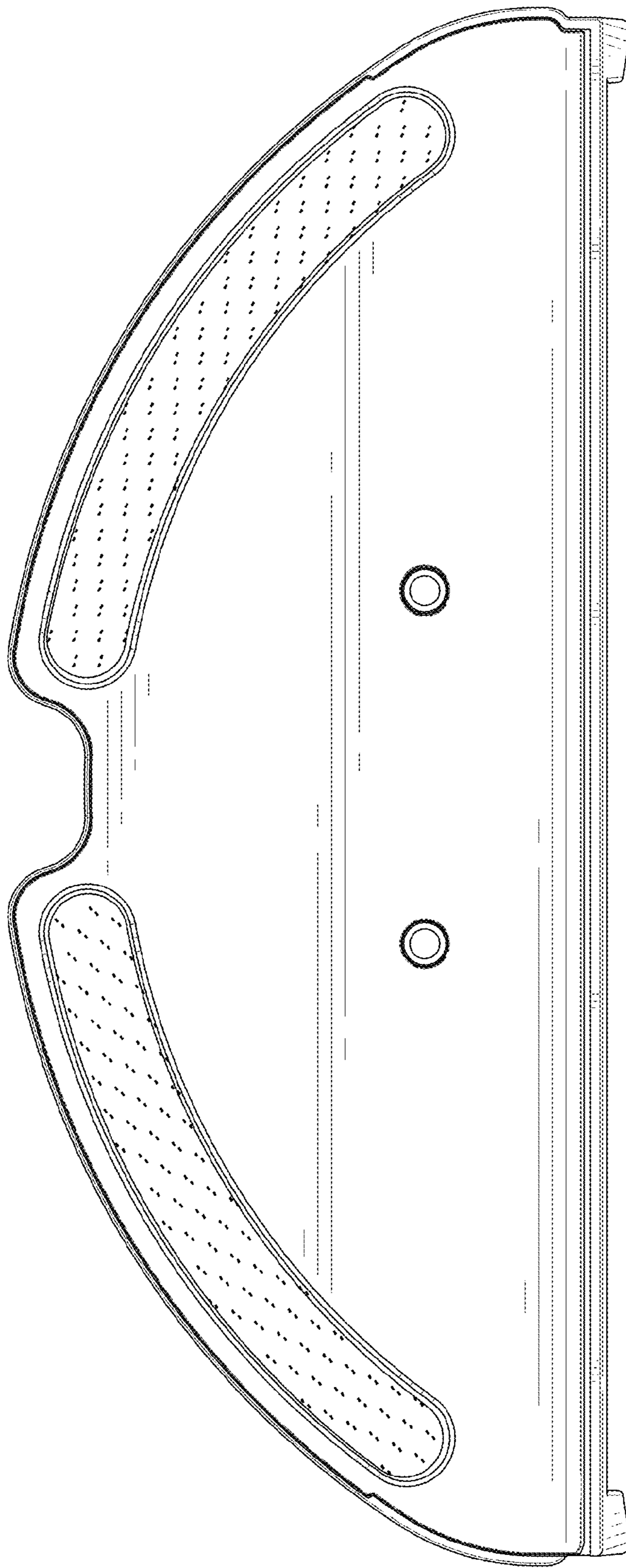


FIG. 4

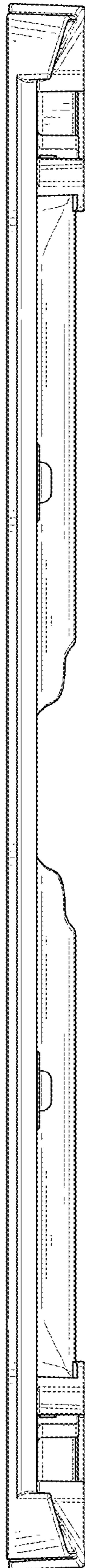


FIG. 5

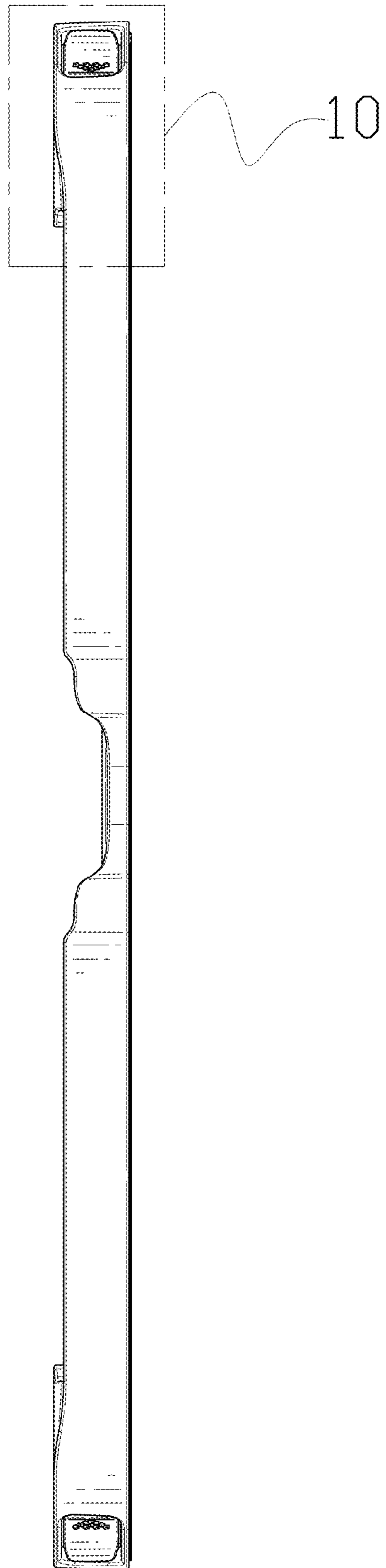


FIG. 6

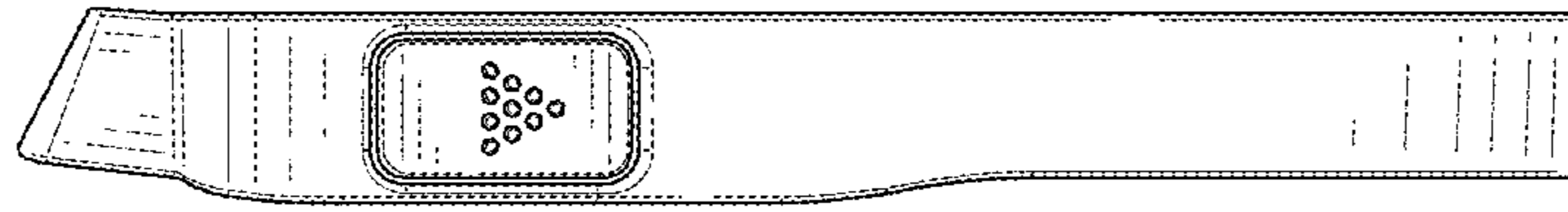


FIG. 7

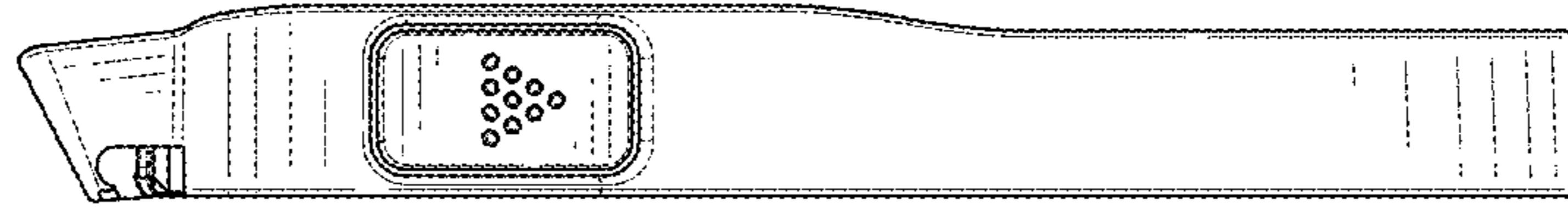


FIG. 8

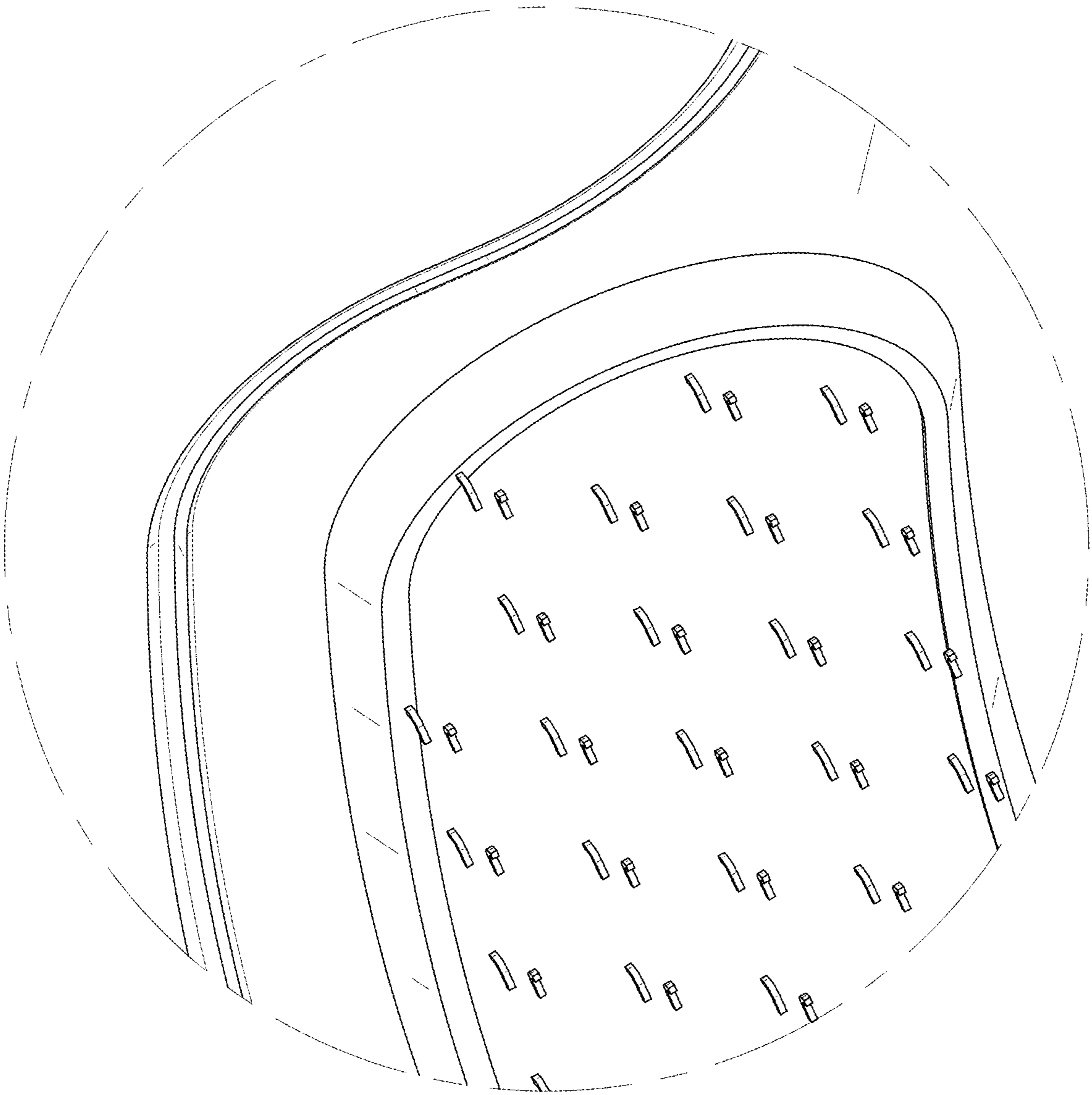


FIG. 9

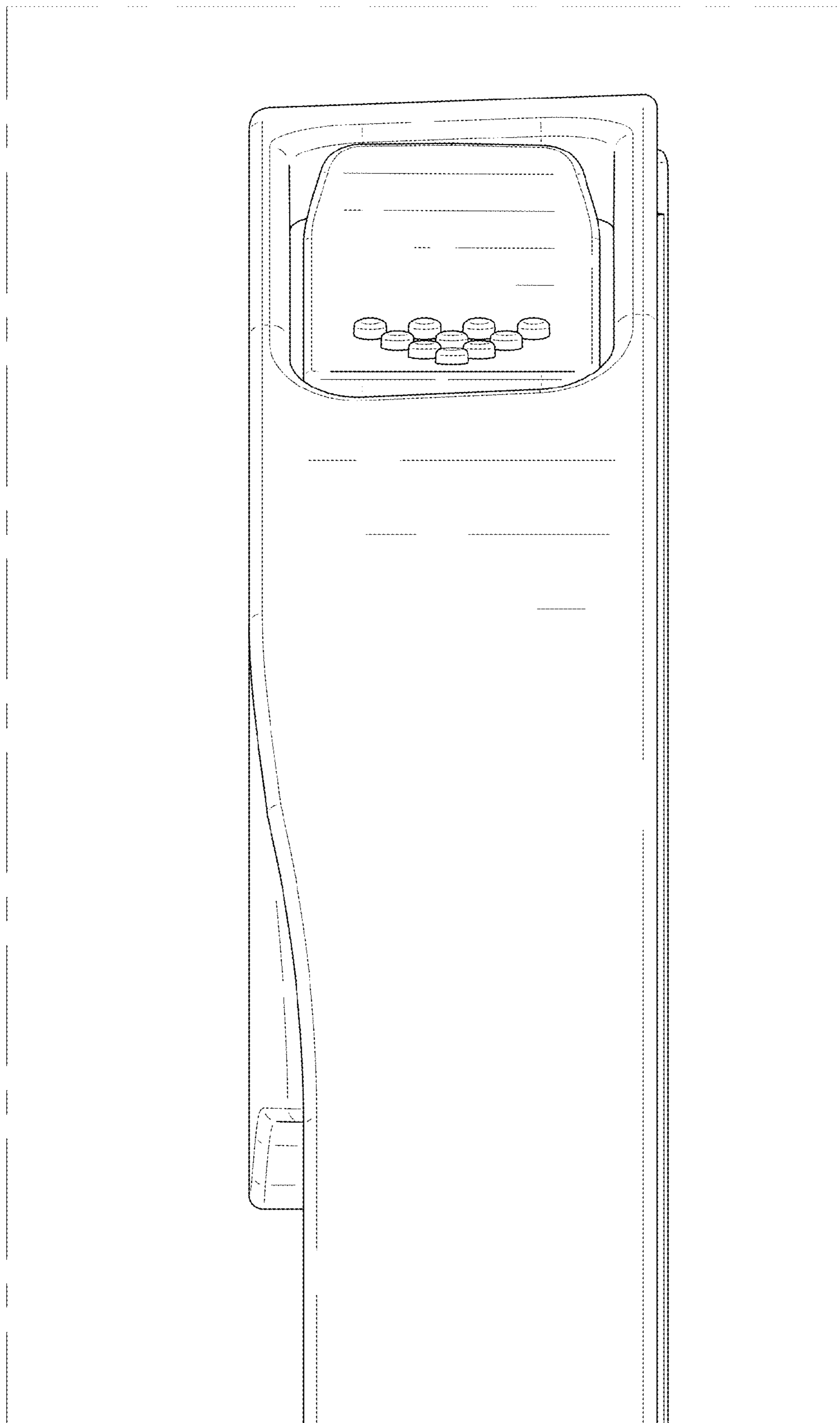


FIG. 10