



US00D940415S

(12) **United States Design Patent**  
**Schultz**

(10) **Patent No.:** **US D940,415 S**  
(45) **Date of Patent:** **\*\* Jan. 4, 2022**

(54) **AUTOMOTIVE VACUUM CLEANER**

(71) Applicant: **Emerson Electric Co.**, St. Louis, MO (US)

(72) Inventor: **Douglas C. Schultz**, Glen Carbon, IL (US)

(73) Assignee: **Emerson Electric Co.**, St. Louis, MO (US)

(\*\*) Term: **15 Years**

(21) Appl. No.: **29/689,128**

(22) Filed: **Apr. 26, 2019**

(51) **LOC (13) Cl.** ..... **15-05**

(52) **U.S. Cl.**  
USPC ..... **D32/21**

(58) **Field of Classification Search**  
USPC ..... D12/415, 416, 423, 418; D32/21  
(Continued)

(56) **References Cited**

**U.S. PATENT DOCUMENTS**

3,998,385 A \* 12/1976 Ogle ..... B60H 1/00507  
237/12.3 B  
5,189,753 A \* 3/1993 Sousa ..... B60S 1/64  
15/313

(Continued)

**FOREIGN PATENT DOCUMENTS**

JP D1656807 \* 4/2021

**OTHER PUBLICATIONS**

Honda Odyssey's onboard vacuum cleans up, available in consumer-reports.org, announced Sep. 13, 2013 [online], [site visited Apr. 15, 2021], Internet URL: <https://www.consumerreports.org/cro/news/2013/09/tests-of-the-honda-odyssey-onboard-vacuum/index.htm> (Year: 2013).\*

(Continued)

*Primary Examiner* — Dana K Weiland  
*Assistant Examiner* — Jennylou M Binas

(74) *Attorney, Agent, or Firm* — Armstrong Teasdale LLP

(57) **CLAIM**

I claim the ornamental design for an automotive vacuum cleaner, as shown and described.

**DESCRIPTION**

FIG. 1 is a perspective view of a first embodiment of an automotive vacuum cleaner showing the new design.

FIG. 2 is a front view of the automotive vacuum cleaner of FIG. 1.

FIG. 3 is a rear view of the automotive vacuum cleaner of FIG. 1.

FIG. 4 is right side view of the automotive vacuum cleaner of FIG. 1.

FIG. 5 is a left side view of the automotive vacuum cleaner of FIG. 1.

FIG. 6 is a top view of the automotive vacuum cleaner of FIG. 1.

FIG. 7 is a bottom view of the automotive vacuum cleaner of FIG. 1.

FIG. 8 is a perspective view of a second embodiment of the automotive vacuum cleaner showing the new design.

FIG. 9 is a front view of the automotive vacuum cleaner of FIG. 8.

FIG. 10 is a rear view of the automotive vacuum cleaner of FIG. 8.

FIG. 11 is right side view of the automotive vacuum cleaner of FIG. 8.

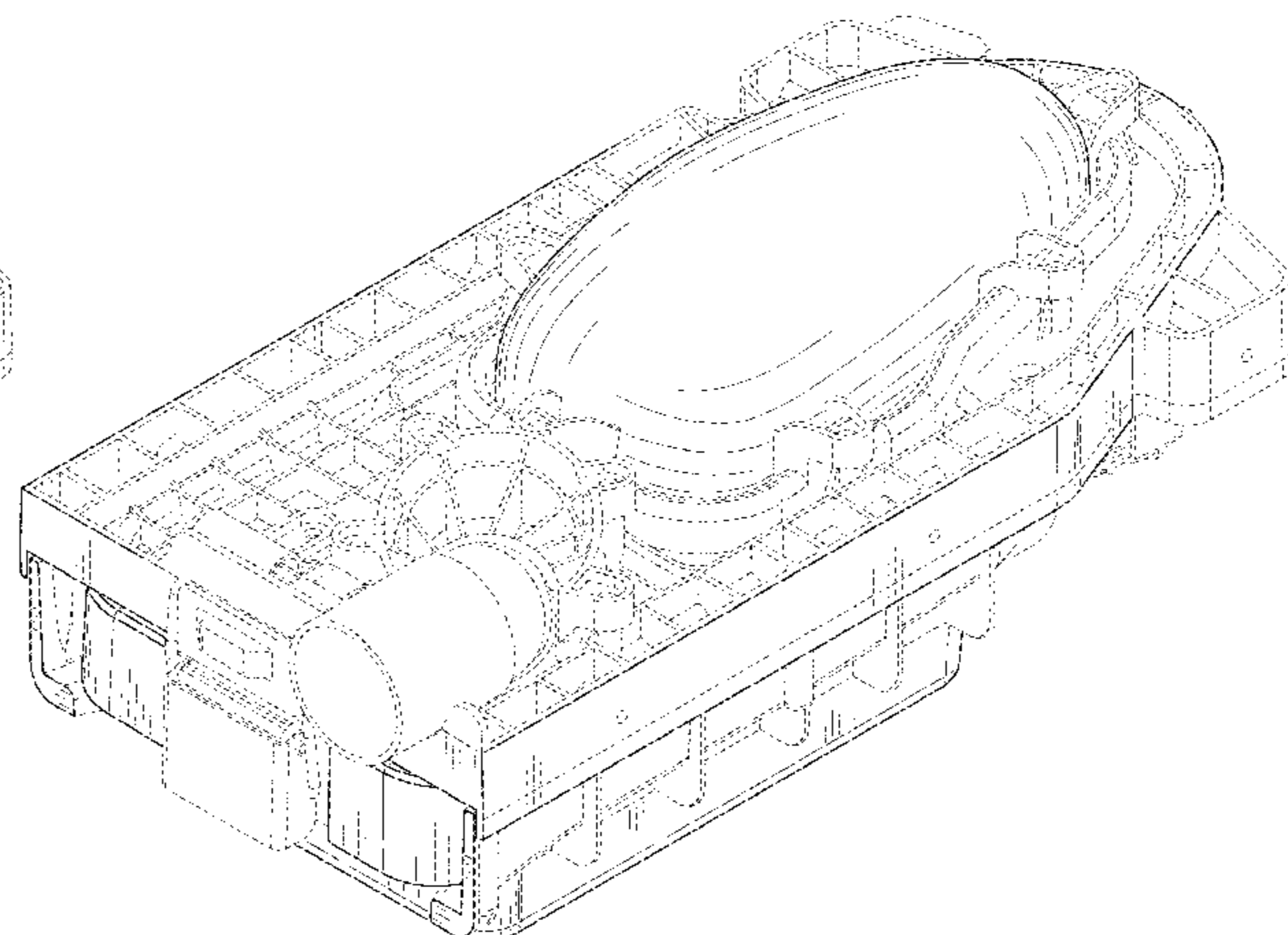
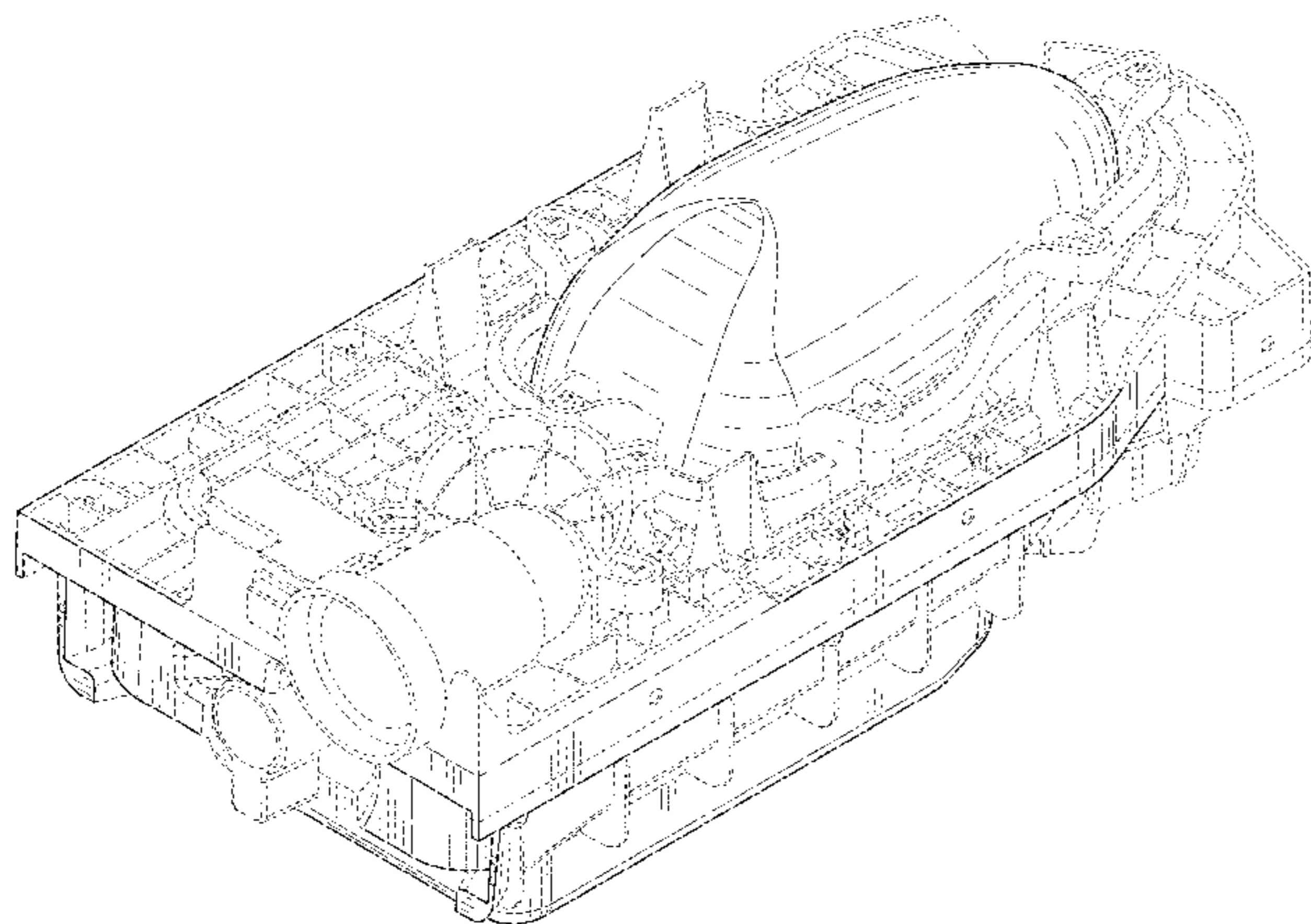
FIG. 12 is a left side view of the automotive vacuum cleaner of FIG. 8.

FIG. 13 is a top view of the automotive vacuum cleaner of FIG. 8; and,

FIG. 14 is a bottom view of the automotive vacuum cleaner of FIG. 8.

In these drawings, dashed broken lines illustrate portions of the automotive vacuum cleaner that form no part of the claimed design.

(Continued)



The dot-dashed broken lines show boundaries of the automotive vacuum cleaner that form no part of the claimed design.

**1 Claim, 12 Drawing Sheets**

**(58) Field of Classification Search**

CPC .. B23Q 11/0046; A47L 7/0076; A47L 9/0027;  
A47L 11/30; B60R 5/04; B60R 7/06;  
B60S 3/008; B60S 1/64; E04H 4/163

See application file for complete search history.

**(56)**

**References Cited**

U.S. PATENT DOCUMENTS

D346,051	S	4/1994	Freiwald et al.	
D425,475	S *	5/2000	Merer .....	D12/415
6,128,804	A	10/2000	Lee et al.	
D443,855	S *	6/2001	Merer .....	D12/415
D483,914	S	12/2003	Slone	
D508,229	S	8/2005	Castator et al.	
7,152,272	B2	12/2006	Rukavina et al.	

D541,209	S	4/2007	Castator et al.	
D607,808	S *	1/2010	Wilhelm .....	D12/415
D624,869	S	10/2010	Corradi	
D672,102	S	12/2012	Schouten	
8,347,452	B2	1/2013	Maehata et al.	
8,616,605	B2 *	12/2013	Hipshier .....	B60R 7/04 296/24.34
9,937,900	B2	4/2018	Logli, Jr. et al.	
D876,317	S *	2/2020	Richner .....	D12/415
10,882,457	B2 *	1/2021	Yurko .....	A47L 9/1427
10,906,446	B2 *	2/2021	Gaines .....	B60N 3/002
2005/0011035	A1	1/2005	Rukavina et al.	
2013/0276261	A1 *	10/2013	Norell .....	A47L 9/0081 15/347
2019/0048607	A1 *	2/2019	Jung .....	E04H 4/1636

OTHER PUBLICATIONS

Genuine GM Interior Cleaning System Onboard Vacuum, available at [www.ebay.com](https://www.ebay.com), announced Jan. 13, 2020 [online], [site visited Apr. 15, 2021], Internet URL: [https://www.ebay.com/itm/Genuine-GM-Interior-Cleaning-System-Onboard-Vacuum-19369194-/402009976090?\\_trksid=p2385738.m4383.l4275.c10](https://www.ebay.com/itm/Genuine-GM-Interior-Cleaning-System-Onboard-Vacuum-19369194-/402009976090?_trksid=p2385738.m4383.l4275.c10) (Year: 2020).\*

\* cited by examiner

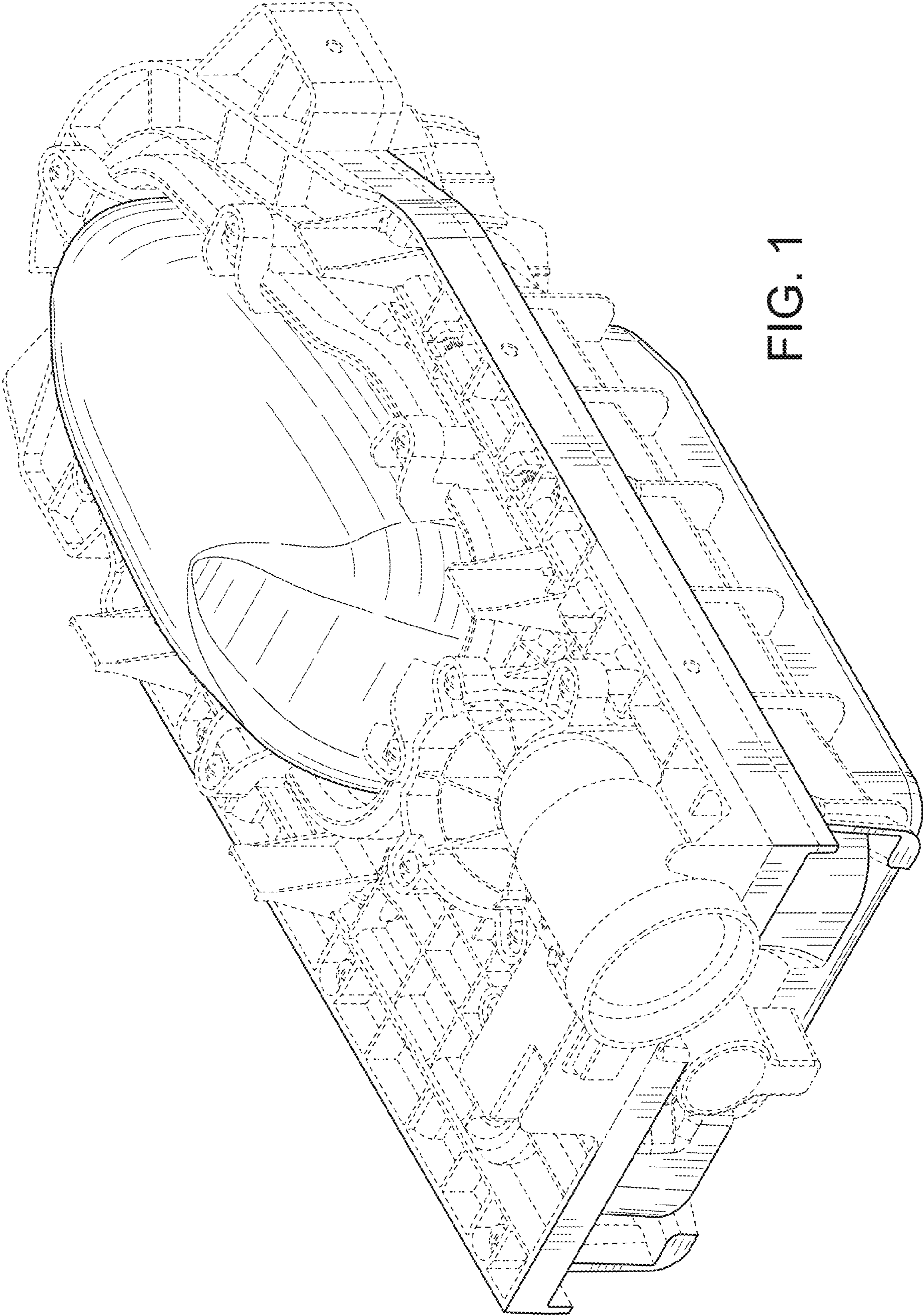


FIG. 1

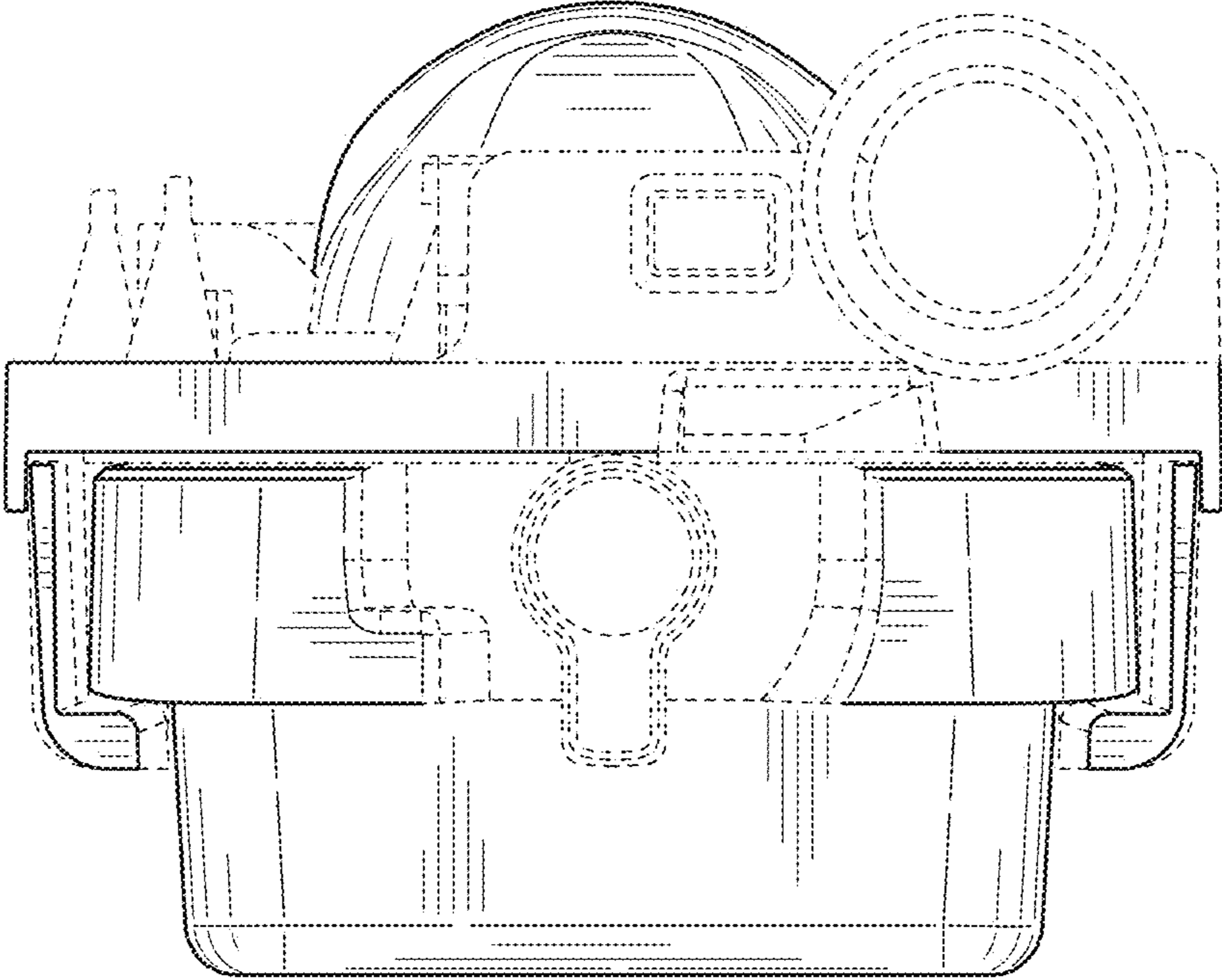


FIG. 2

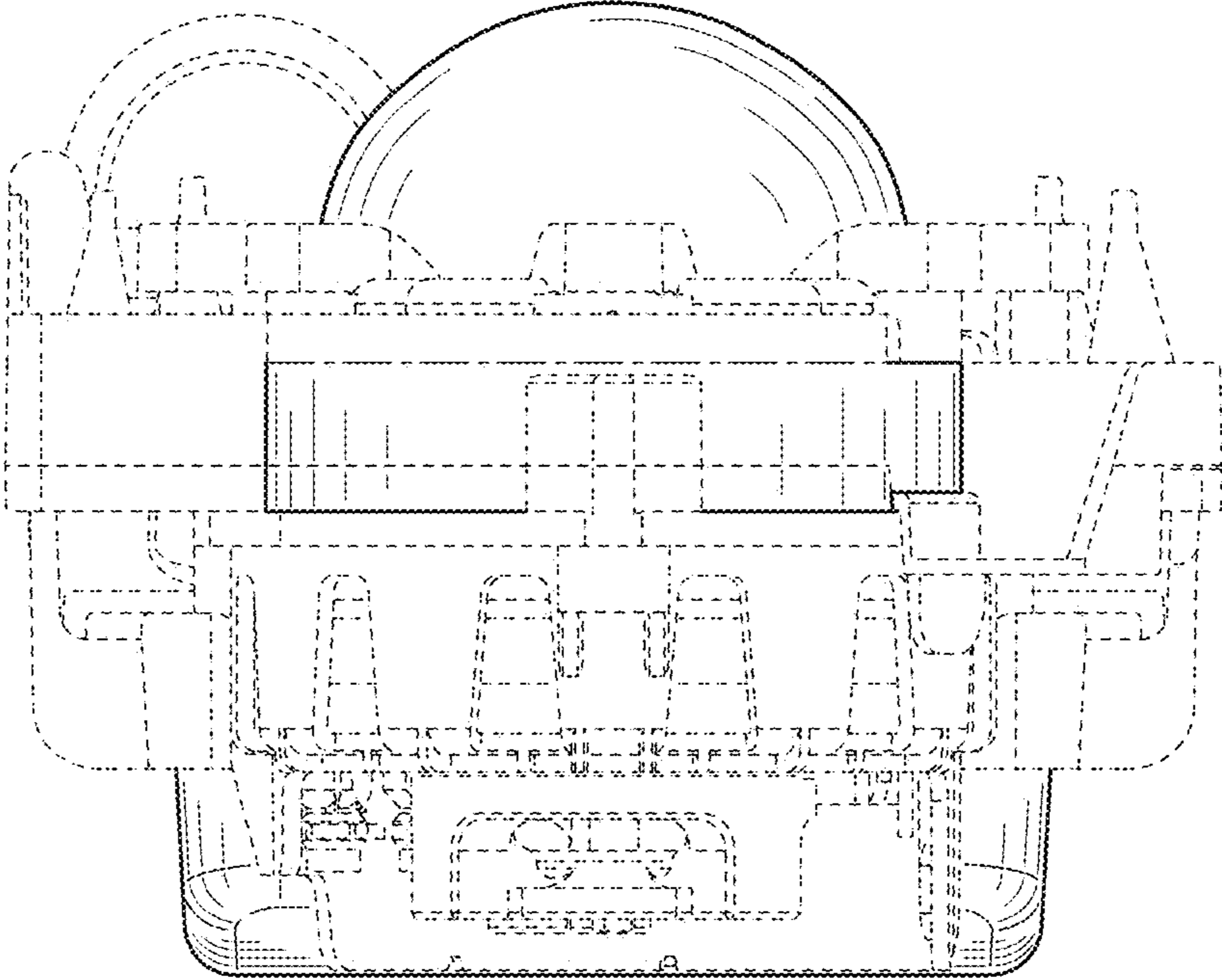


FIG. 3

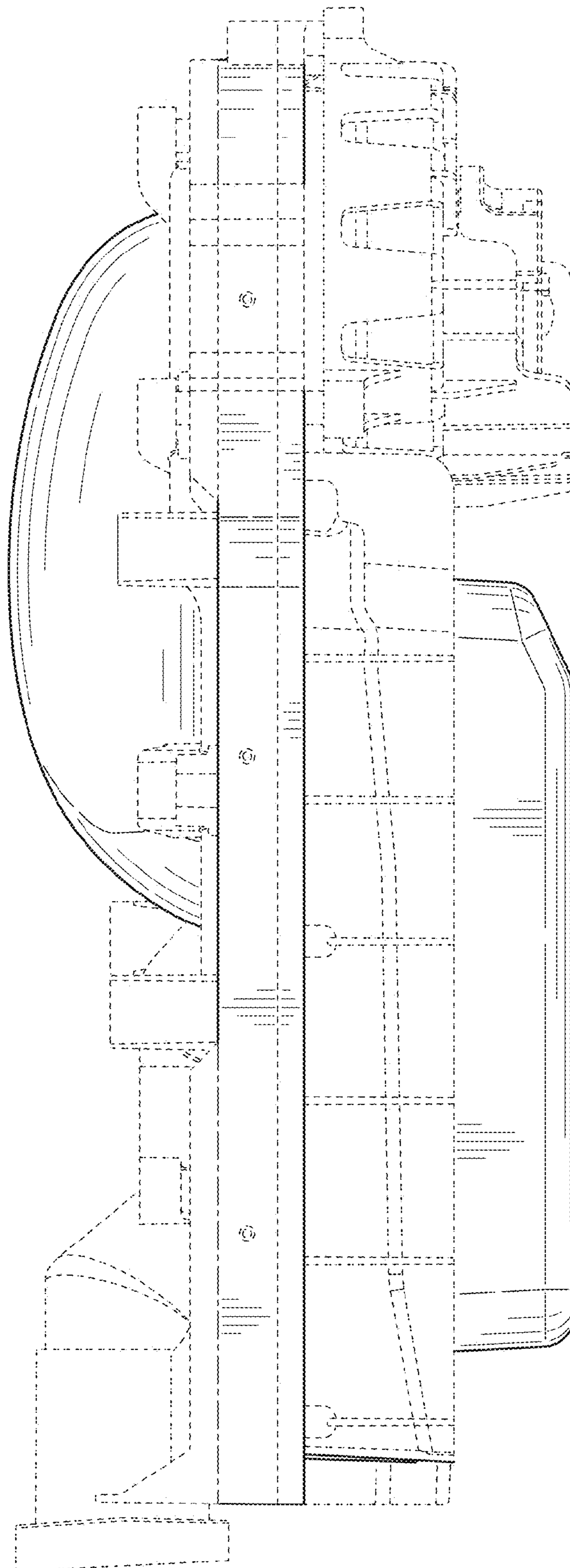


FIG. 4

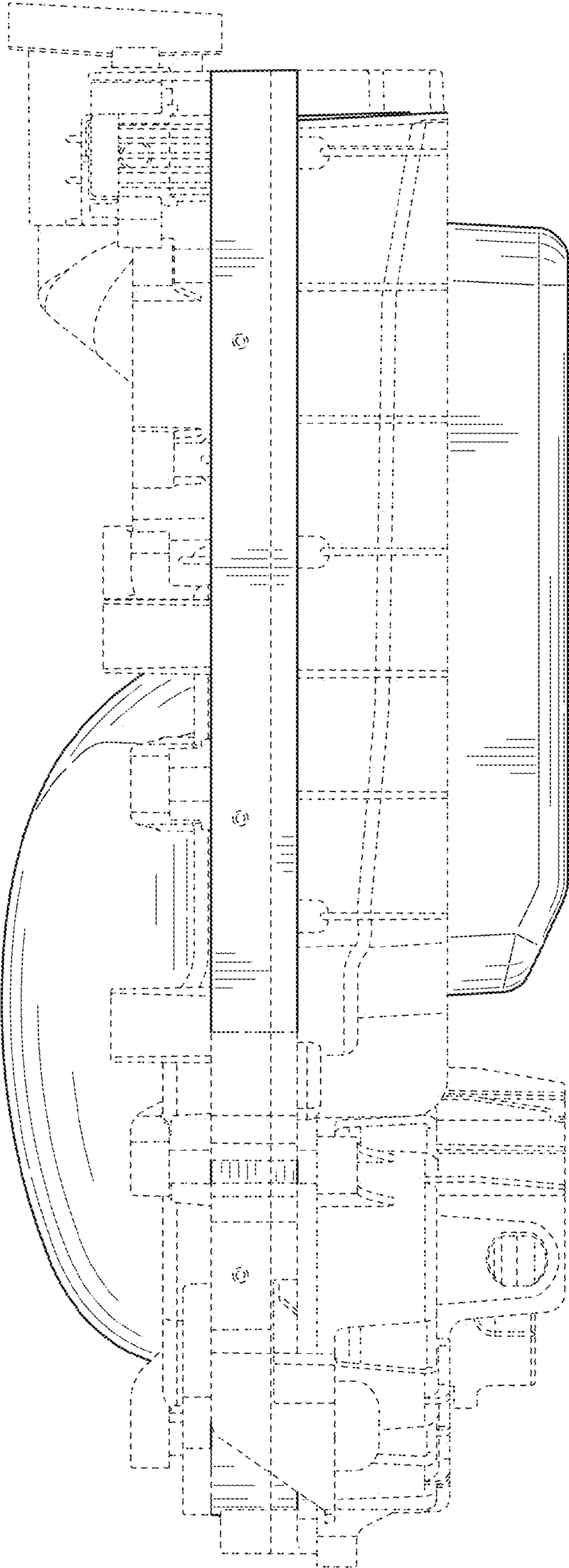


FIG. 5

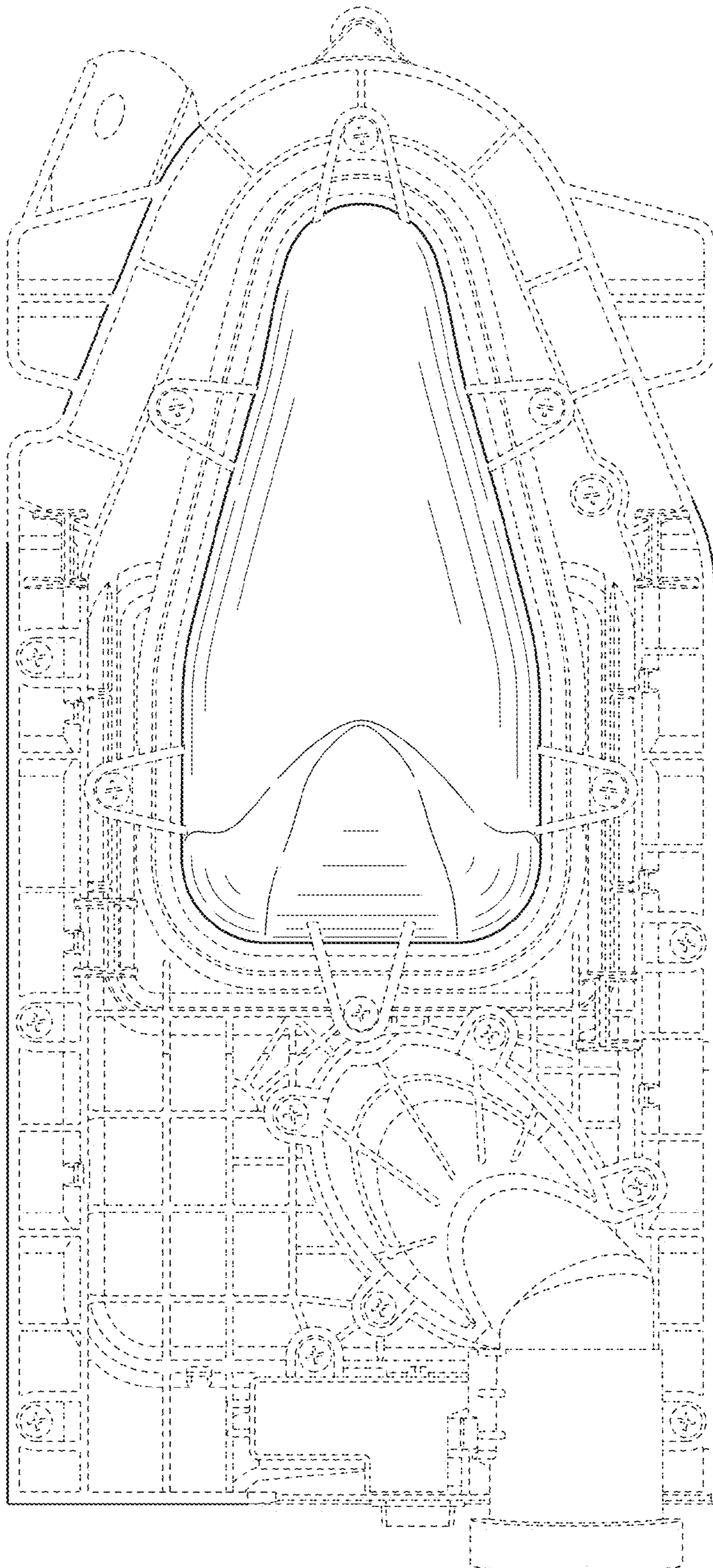


FIG. 6

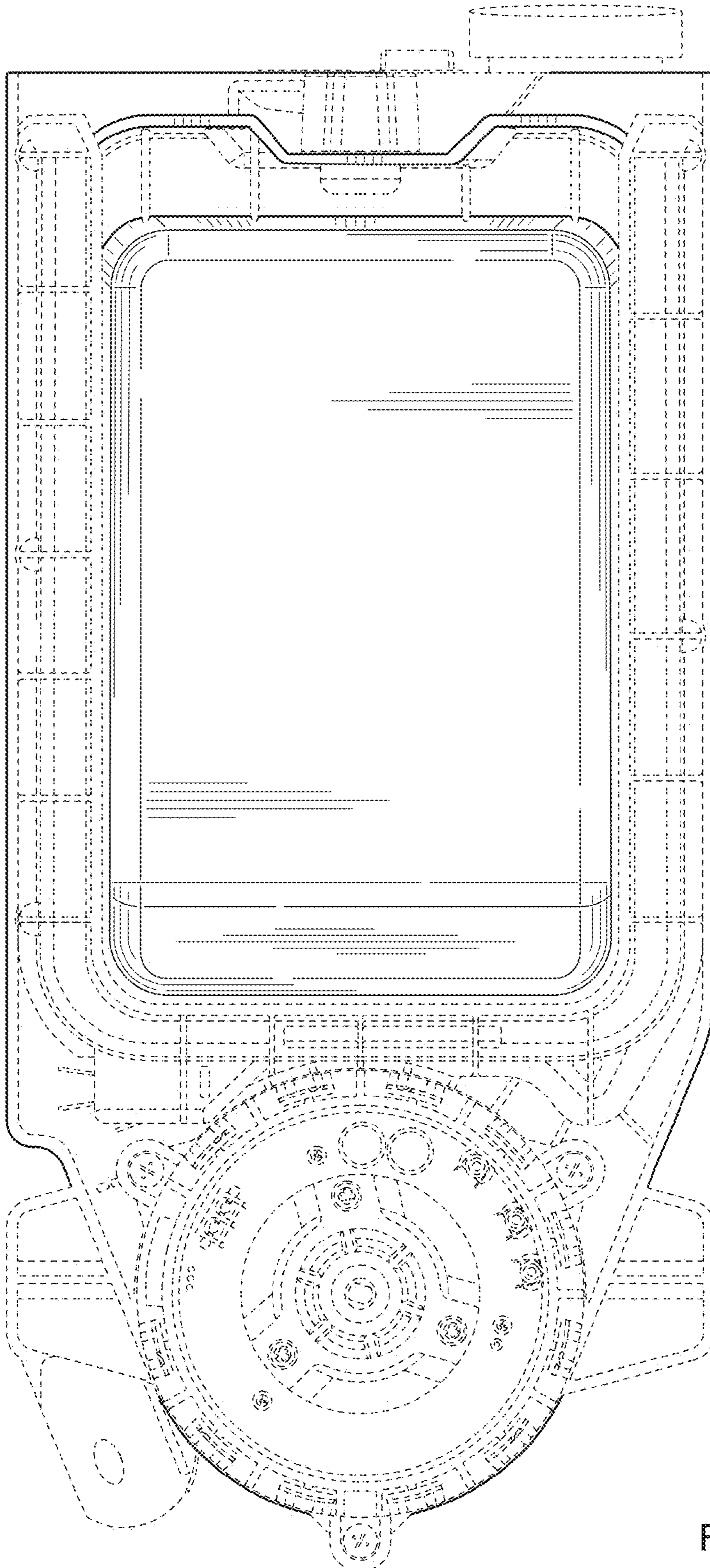


FIG. 7



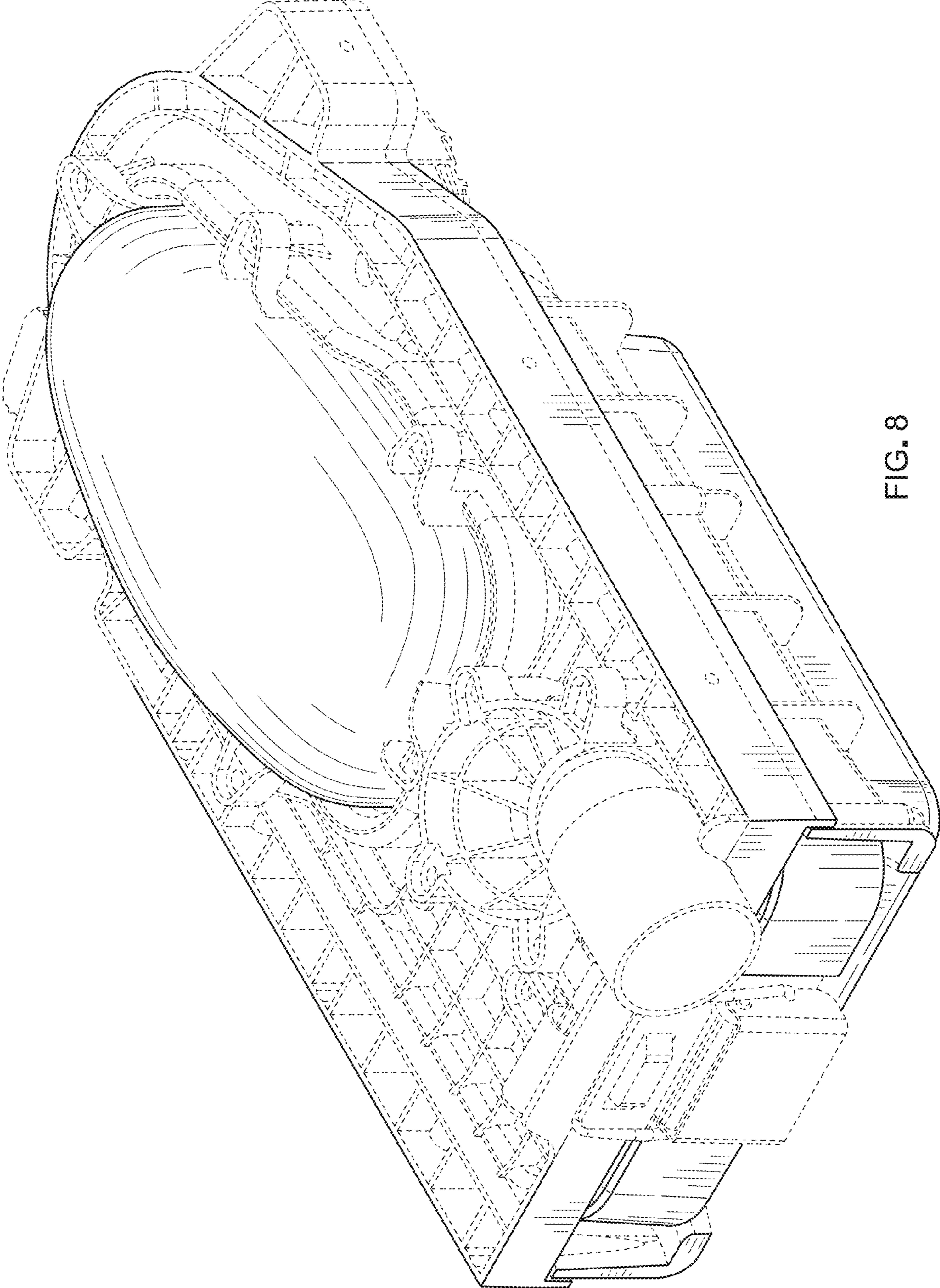


FIG. 8

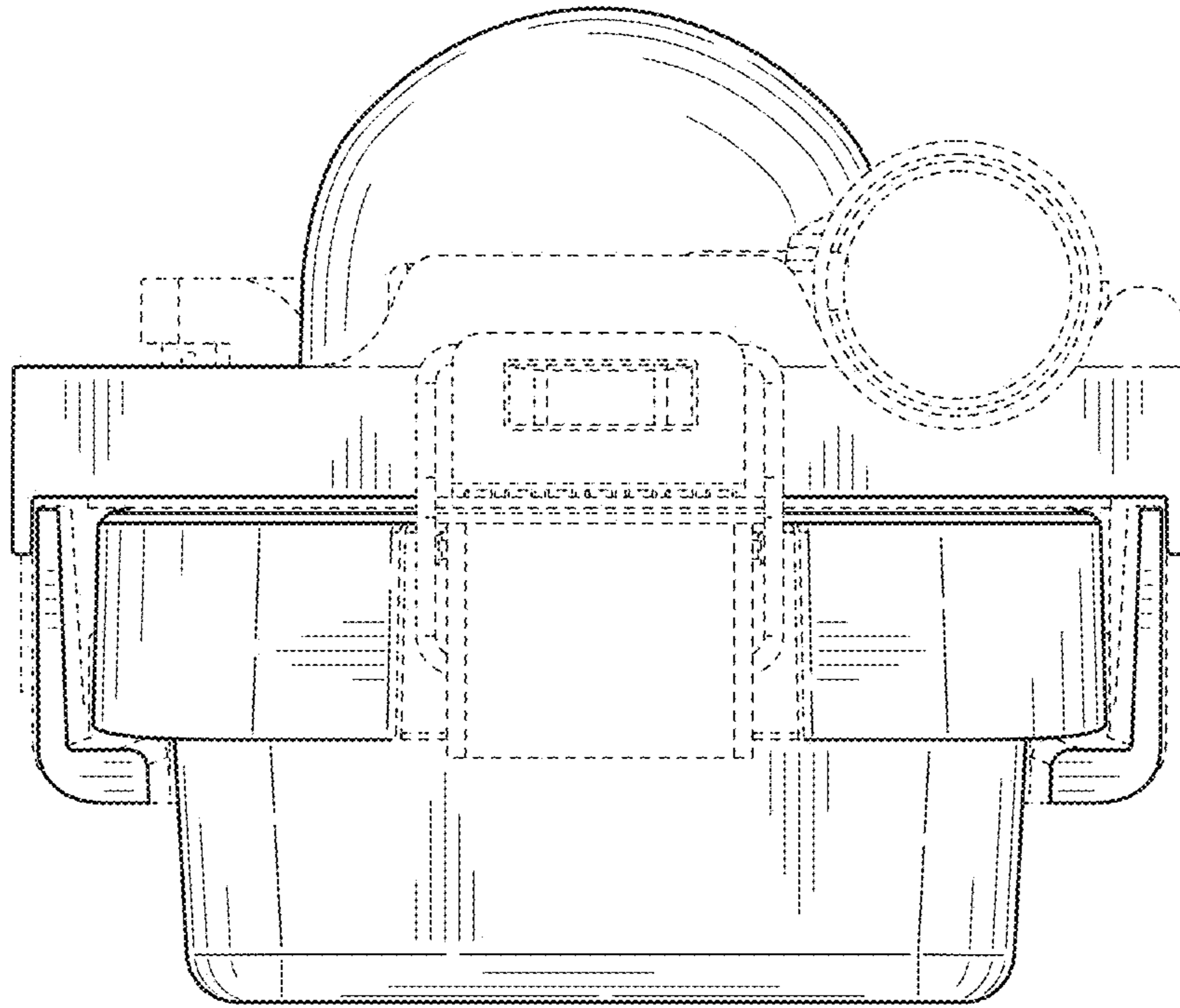


FIG. 9

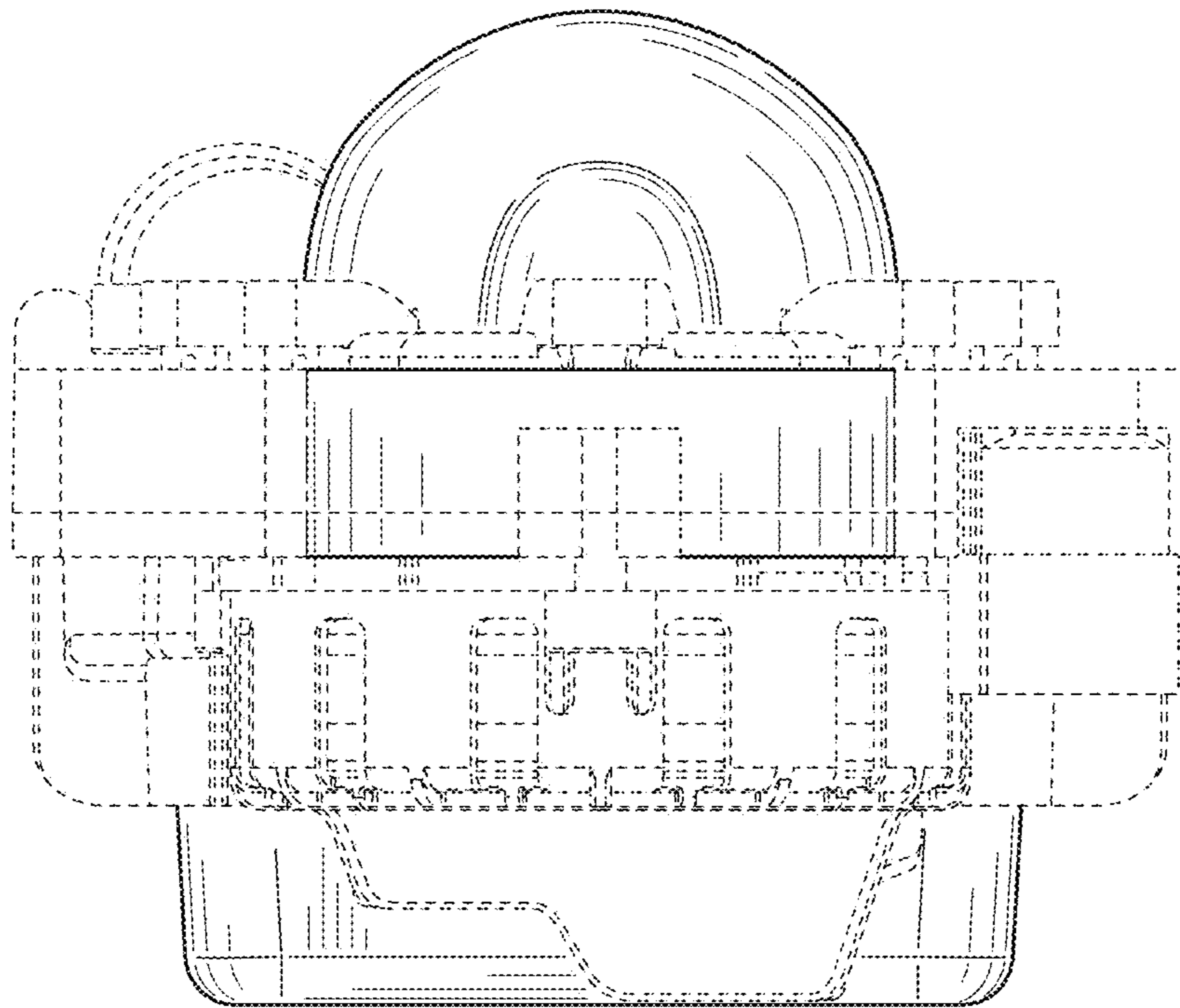


FIG. 10

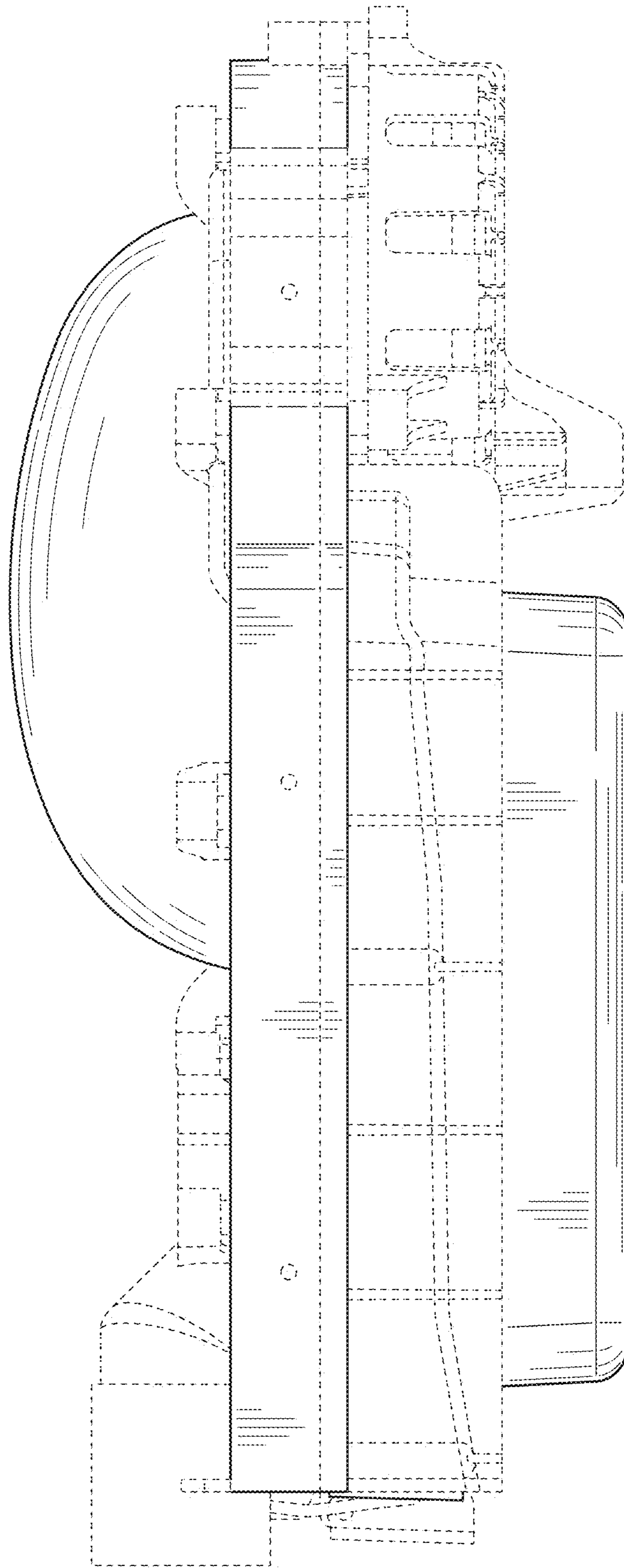


FIG. 11

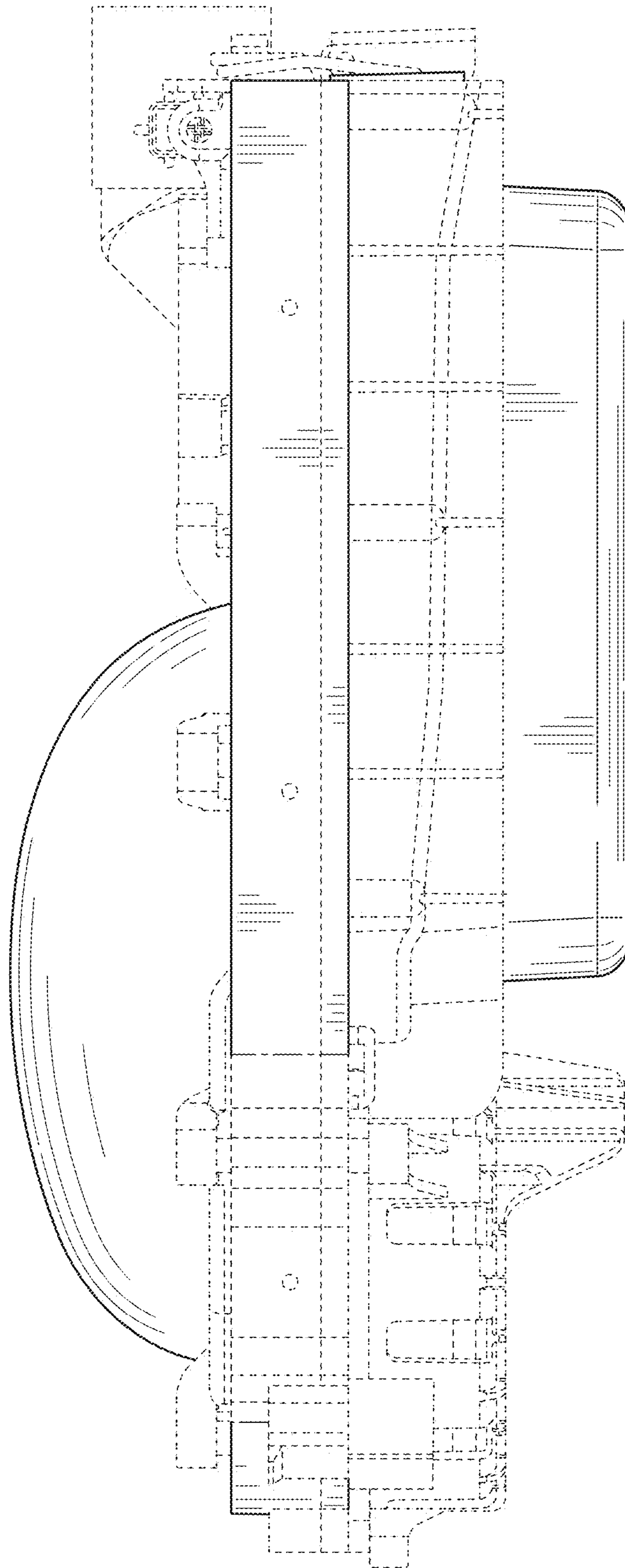


FIG. 12

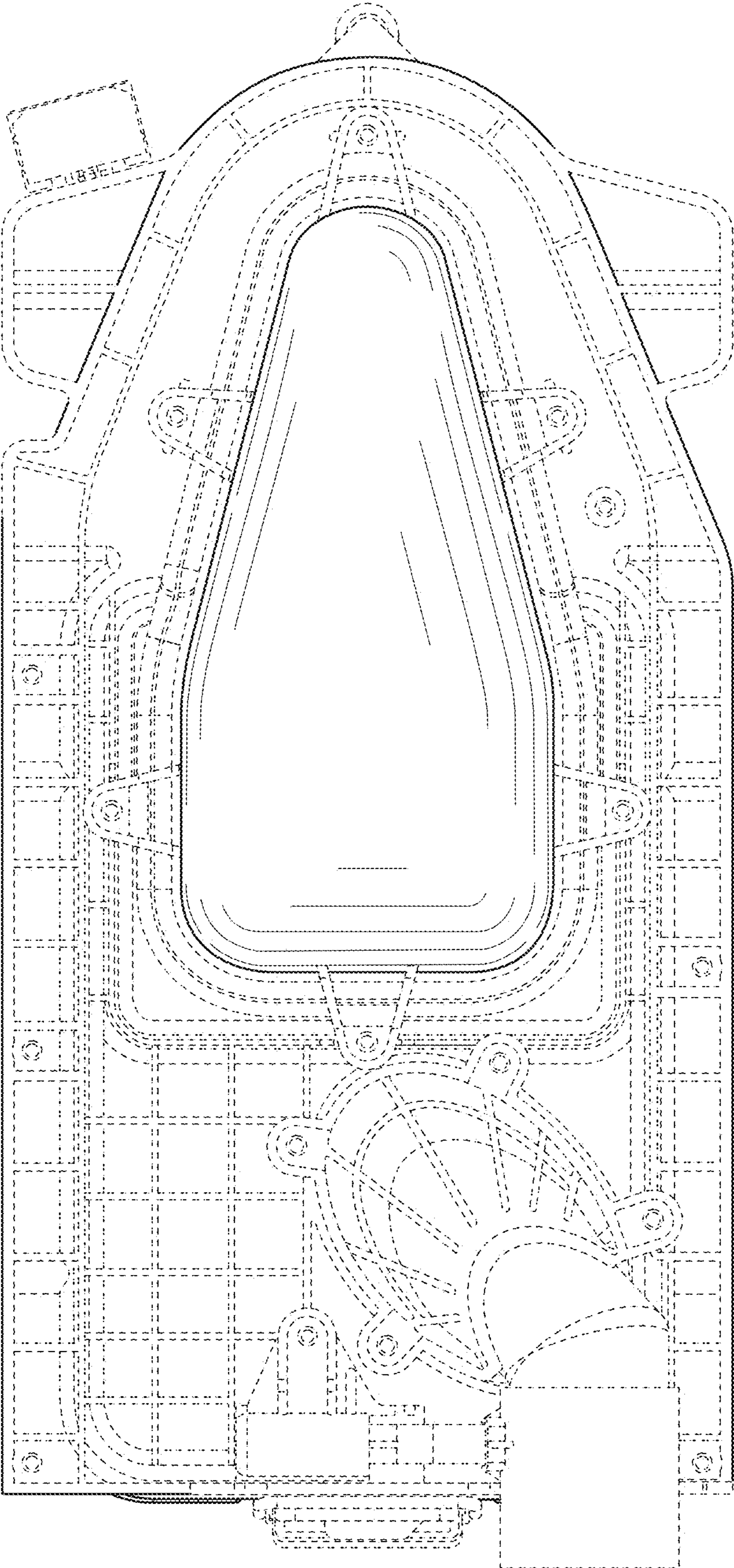


FIG. 13

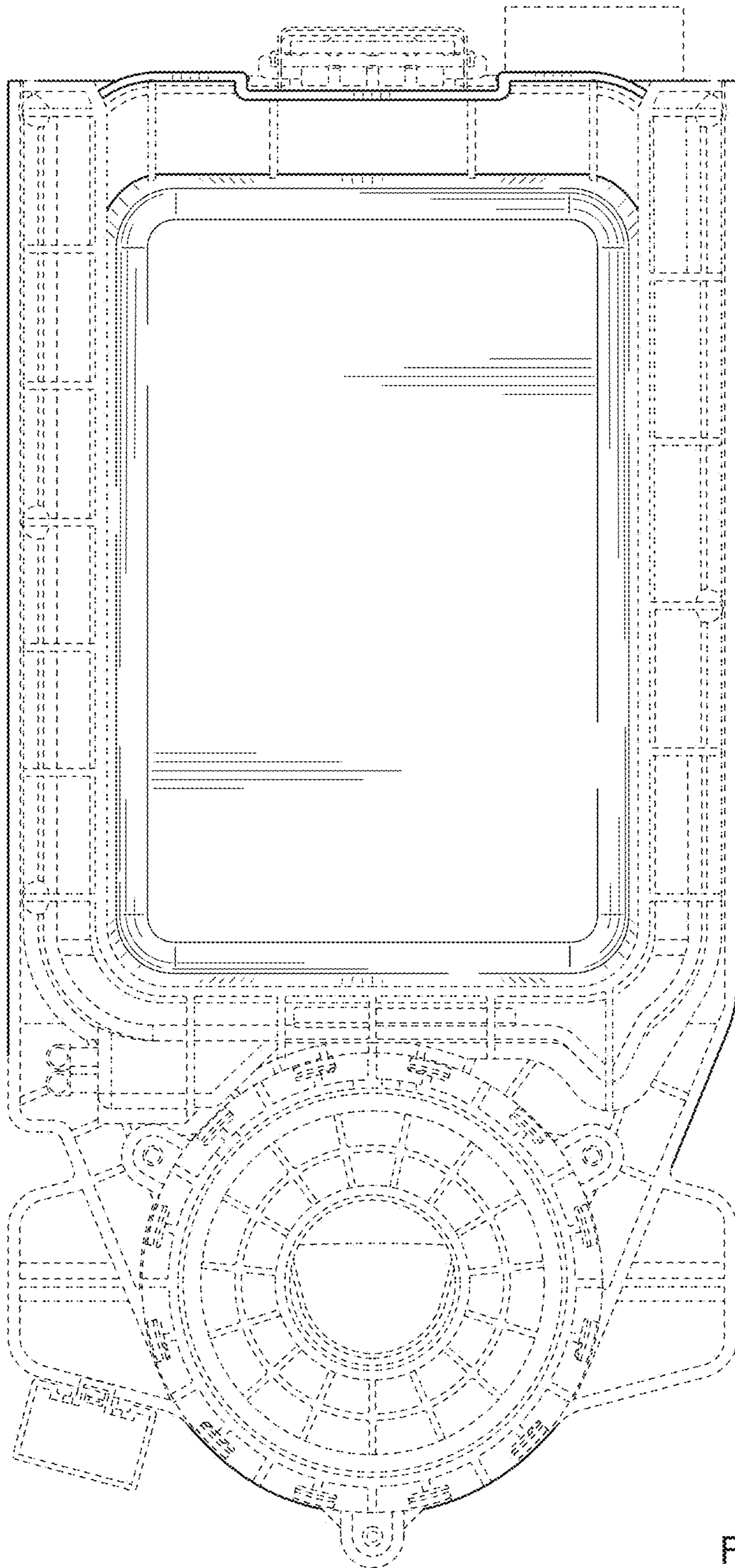


FIG. 14