



US00D940414S

(12) **United States Design Patent**
Austin et al.

(10) **Patent No.: US D940,414 S**

(45) **Date of Patent: ** Jan. 4, 2022**

(54) **PORTABLE VACUUM**

(71) Applicant: **Black & Decker, Inc.**, New Britain, CT (US)

(72) Inventors: **Lauren M. Austin**, Owings Mills, MD (US); **Earnest N. Copeland, Jr.**, Perry Hall, MD (US); **Floyd E. Moreland**, York, PA (US); **Joseph Steele**, Baltimore, MD (US); **Christina Boehmer**, Baltimore, MD (US); **Gale A. Heslop**, Carney, MD (US); **Spencer Shekells**, Parkville, MD (US)

(73) Assignee: **Black & Decker, Inc.**, New Britain, CT (US)

(**) Term: **15 Years**

(21) Appl. No.: **29/674,014**

(22) Filed: **Dec. 19, 2018**

(51) **LOC (13) Cl.** **15-05**

(52) **U.S. Cl.**
USPC **D32/21**

(58) **Field of Classification Search**
USPC D32/15, 18, 21, 22, 23, 31, 32, 33, 24;
D3/201, 203.3, 217, 272, 276, 282, 905,
D3/291, 294; D8/70; D9/414, 452, 443;
D13/108; D15/144
CPC A47L 2201/024; A47L 5/24; A47L 5/30;
A47L 5/36; A47L 5/225; A47L 5/365;
A47L 9/0036; A47L 9/04; A47L 9/0411;
A47L 9/24; A47L 9/106; A47L 9/1683;
A47L 9/322; A47L 9/325; A47L 9/327;
A47L 9/1608; A47L 7/0004; A47L
7/0095; B23Q 11/0046; B23Q 11/0071;
B25D 16/00

See application file for complete search history.

(56) **References Cited**

U.S. PATENT DOCUMENTS

D600,912 S * 9/2009 Brunner D3/291
D701,697 S * 4/2014 Sabbag D3/281

D703,436 S * 4/2014 Sabbag D3/281
D709,697 S * 7/2014 Brunner D3/281
D719,352 S * 12/2014 Shitrit D3/282

(Continued)

FOREIGN PATENT DOCUMENTS

EM 006570685-0001 * 9/2019
EM 006570685-0002 * 9/2019

OTHER PUBLICATIONS

Dust Extractor, Dewalt Flexvolt Dust Extractor, Amazon.com, [online], [site visited Sep. 30, 2020], Available from internet URL: https://www.amazon.com/DEWALT-DCV585B-FLEXVOLT-Dust-Extractor/dp/B07N2KBM8W/ref=sr_1_1?crid=33GHAUM6KW0RG&dchild=1&keywords=flexvolt+dust+extractor&qid=1601314868&sprefi (Year: 2020).*

(Continued)

Primary Examiner — Dana K Weiland
Assistant Examiner — Jennylou M Binas

(74) *Attorney, Agent, or Firm* — Gabriel A. Haboubi

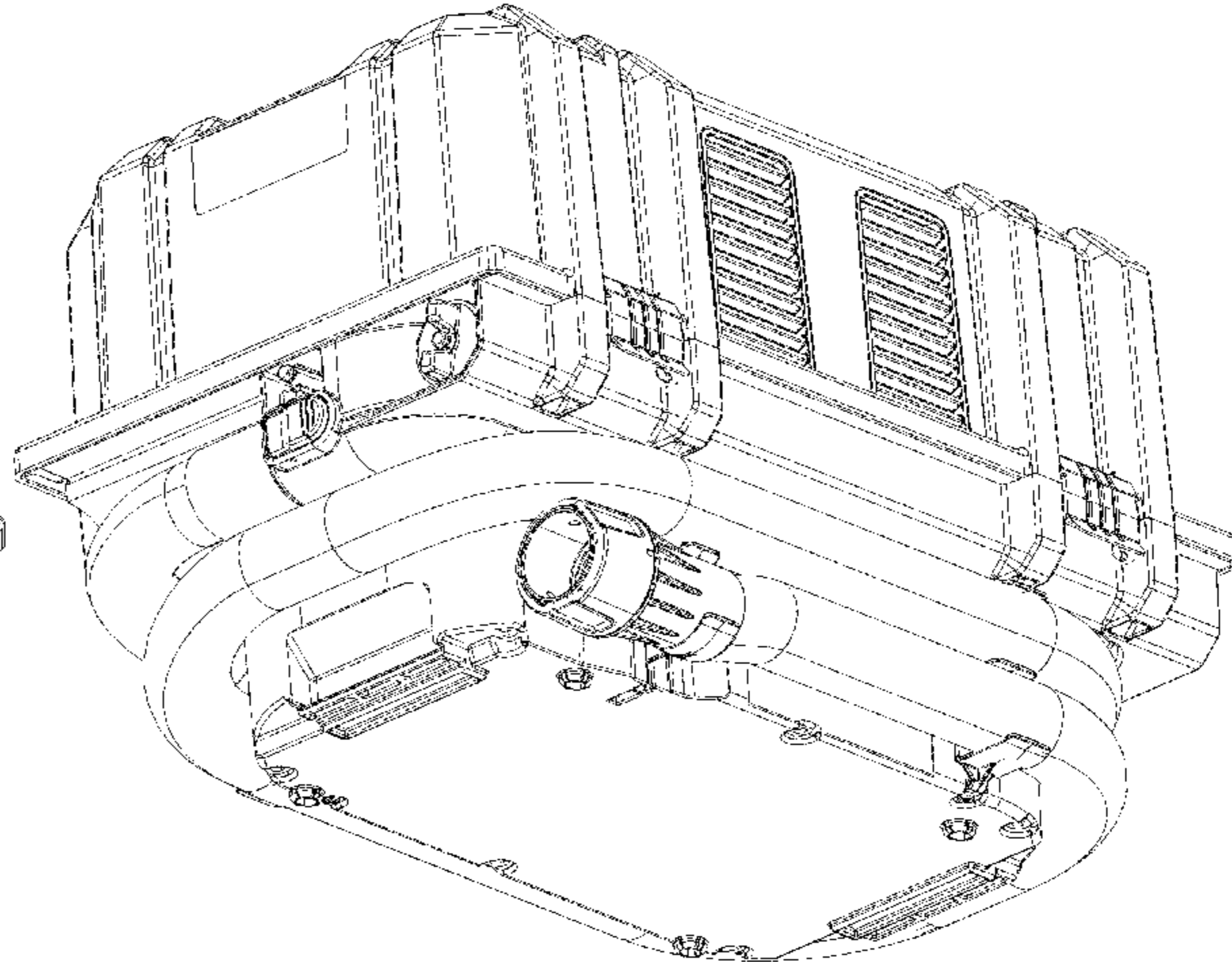
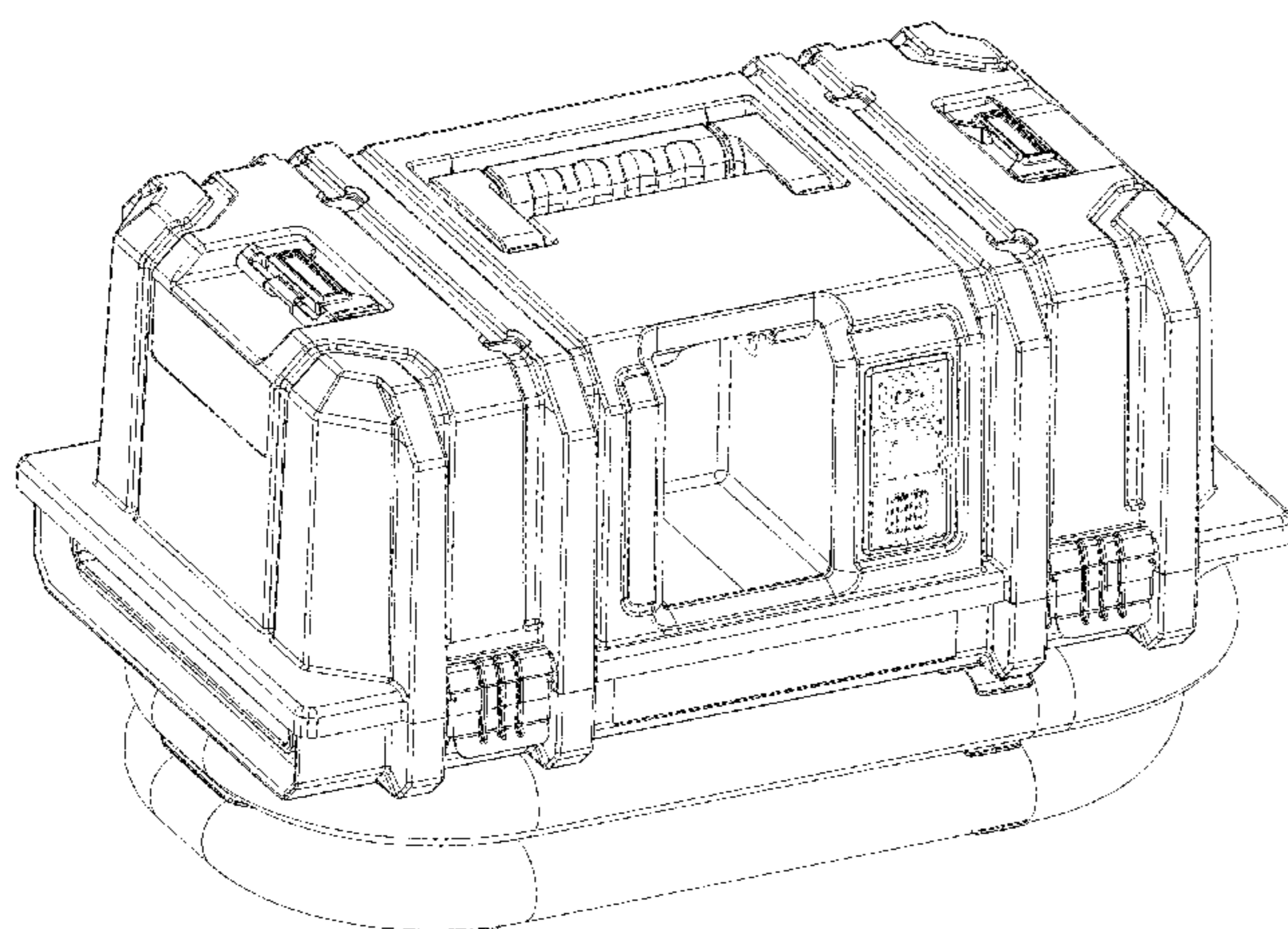
(57) **CLAIM**

The ornamental design for a portable vacuum, as shown and described.

DESCRIPTION

FIG. 1 is a top perspective view of a portable vacuum showing our new design.
FIG. 2 is a right side view thereof.
FIG. 3 is a left side view thereof.
FIG. 4 is a front view thereof.
FIG. 5 is a rear view thereof.
FIG. 6 is a top view thereof.
FIG. 7 is a bottom view thereof; and,
FIG. 8 is a bottom perspective view thereof.
Features of the portable vacuum shown in broken line form no part of the claimed design.

1 Claim, 8 Drawing Sheets



(56)

References Cited

U.S. PATENT DOCUMENTS

D738,105	S *	9/2015	Shitrit	D3/276
D738,106	S *	9/2015	Shitrit	D3/276
D742,640	S *	11/2015	Sabbag	D3/281
D767,277	S *	9/2016	Faibish	D3/279
D790,221	S *	6/2017	Yahav	D3/294
D851,929	S *	6/2019	Shpitzer	D3/276
D904,129	S *	12/2020	Astle	D7/605
D913,611	S *	3/2021	Ma	D32/21
D920,608	S *	5/2021	Liu	D32/21
11,056,895	B2 *	7/2021	Qin	H01M 10/613
11,058,269	B2 *	7/2021	Zhang	A47L 9/0063
2021/0121029	A1 *	4/2021	Metcalf	A47L 9/0027

OTHER PUBLICATIONS

Tool Storage, announced 2020 [online] Available from internet, [site visited Sep. 30, 2020], URL: <https://www.maxtool.com/products/>

dewalt-dwst17806-tstak-tool-equipment-storage-deep-organizer-box-w-flat-top?gclid=CjwKCAjw2dD7BRASEiwAWCtCb9XhqdjprnqJvpLIUZkhBREEigtuj9pxY_L5jxlkUzdu7pEwGSxrhoC9OwQAvD_BwE (Year: 2020).*

Wet/Dry Vacuum, Cordless Jobsite Wet/Dry Vac, announced 2020 [online] Available from internet, [site visited Sep. 30, 2020], URL: <https://www.homedepot.com/p/Vacmaster-Professional-20-Volt-4-Gal-Cordless-Jobsite-Wet-Dry-Vac-DVTB204-0201/309378152> (Year: 2020).*

Quick reviews if the new Dewalt Flexvolt Dust Extractor, announced in YouTube on Nov. 1, 2018 [online], [site visited] Jan. 8, 2021, Available from the internet URL: <https://www.youtube.com/watch?v=d0Cgsdw7qol&feature=youtu.be> (Year: 2018).*

MOOSOO Small Cordless Portable Shop Vacuum Wet & Dry with Blower, available in Amazon.com, customer review oldest date Mar. 5, 2020 [online], [site visited Apr. 29, 2021], Available from internet URL: https://www.amazon.com/dp/B08NX76VFQ/ref=cm_sw_r_em_apa_glt_fabc_W791KPXNJDDDS7V7T1A3?_encoding=UTF8&pvc=1 (Year: 2020).*

* cited by examiner

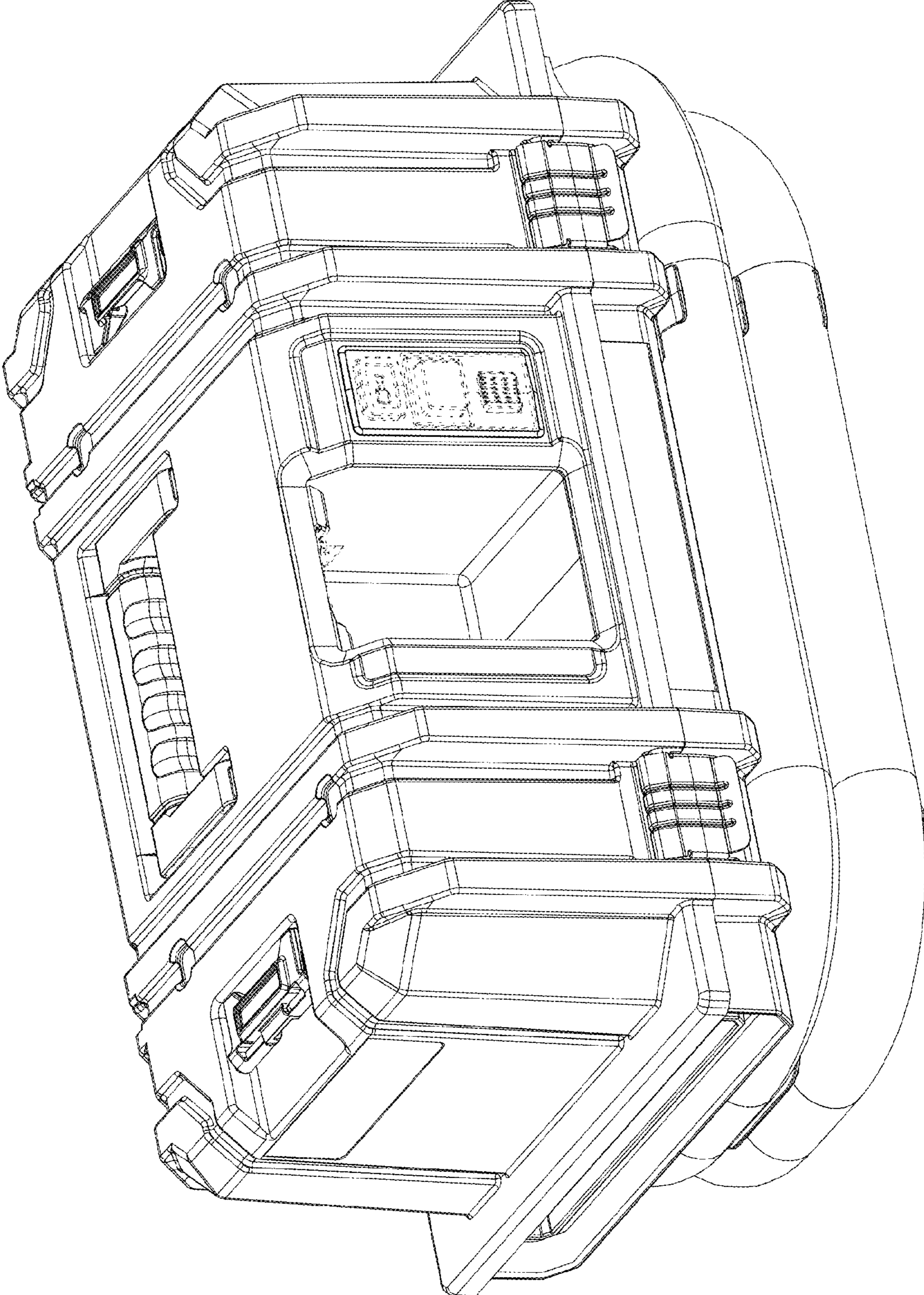


FIG. 1

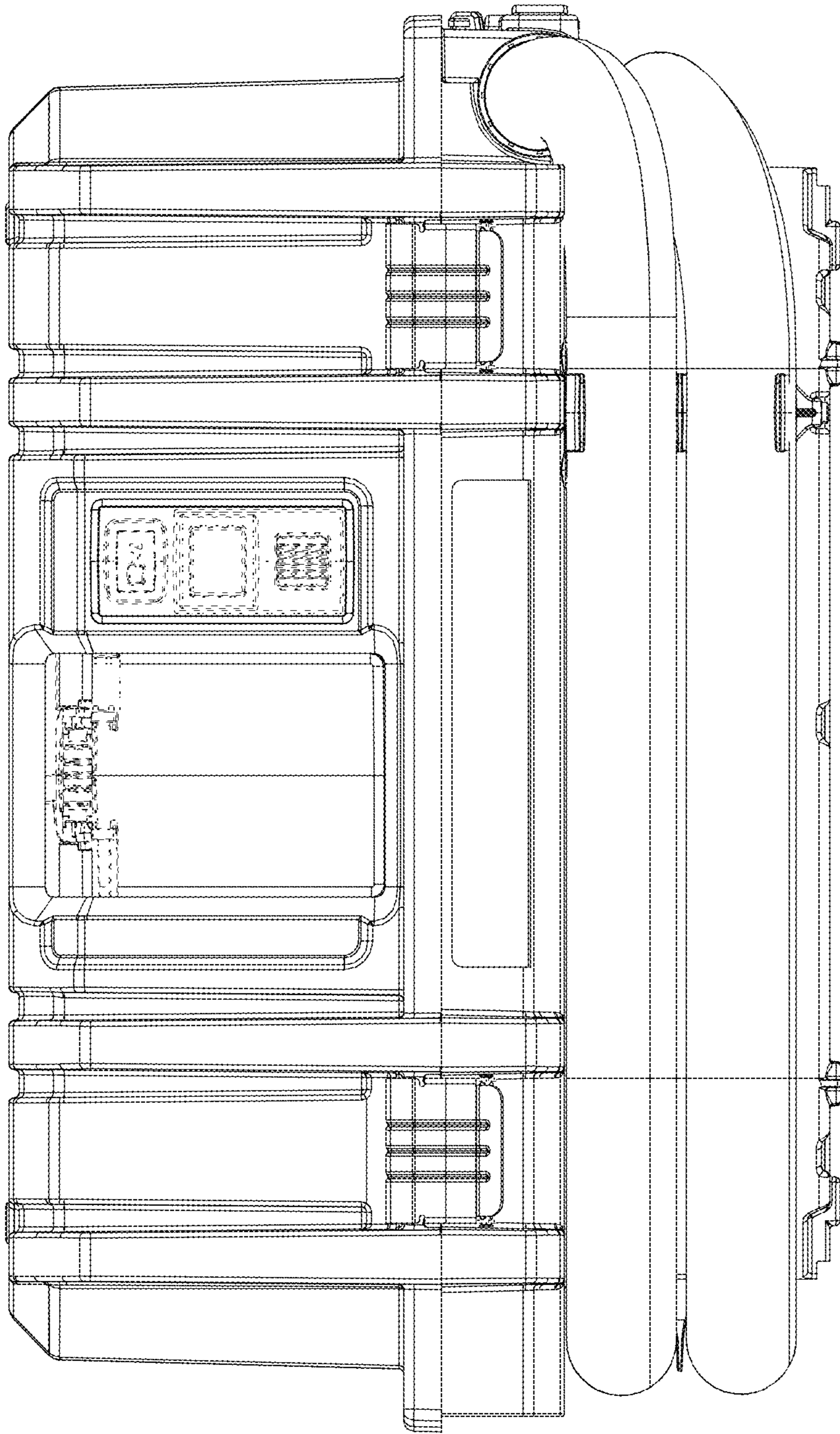


FIG. 2

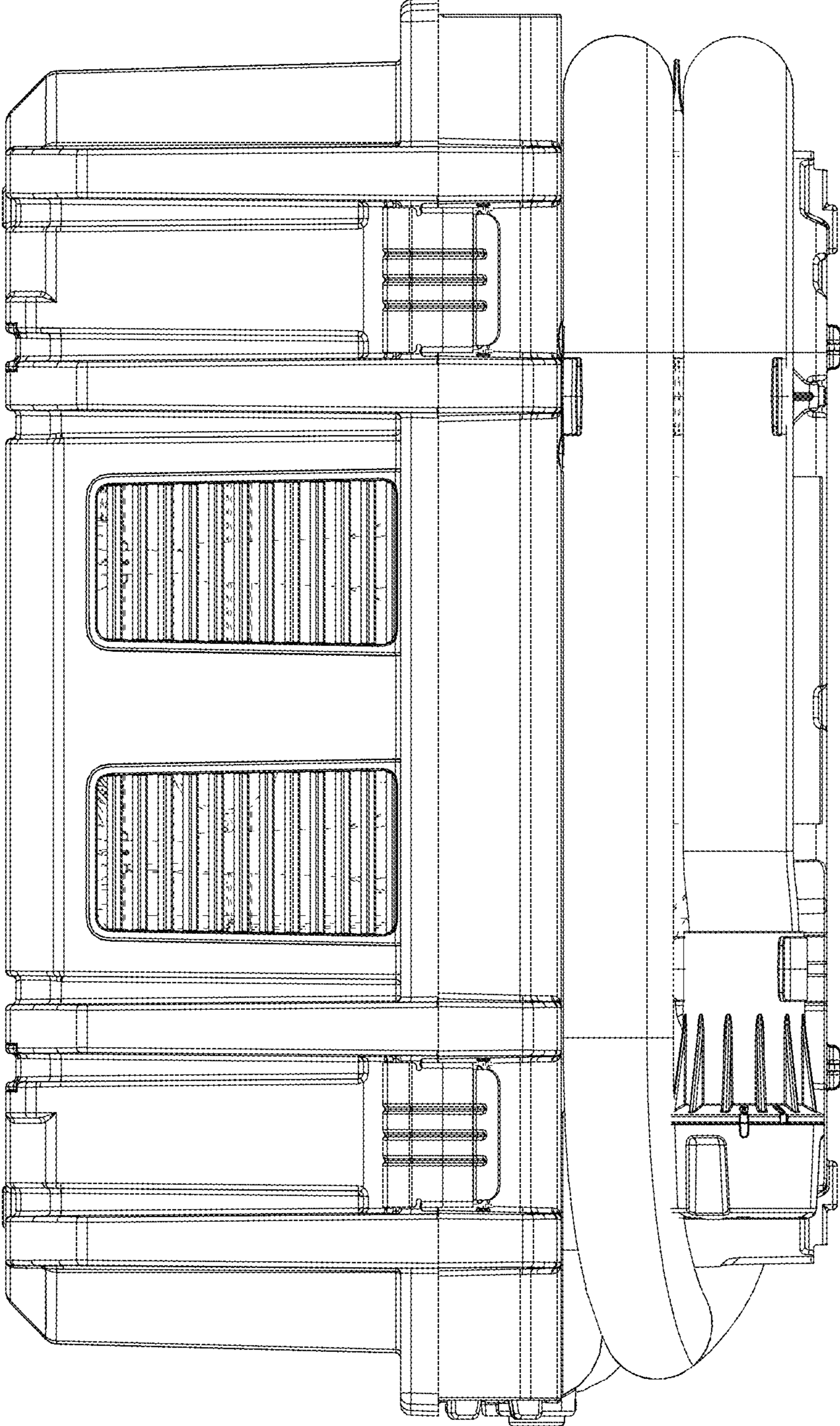


FIG. 3

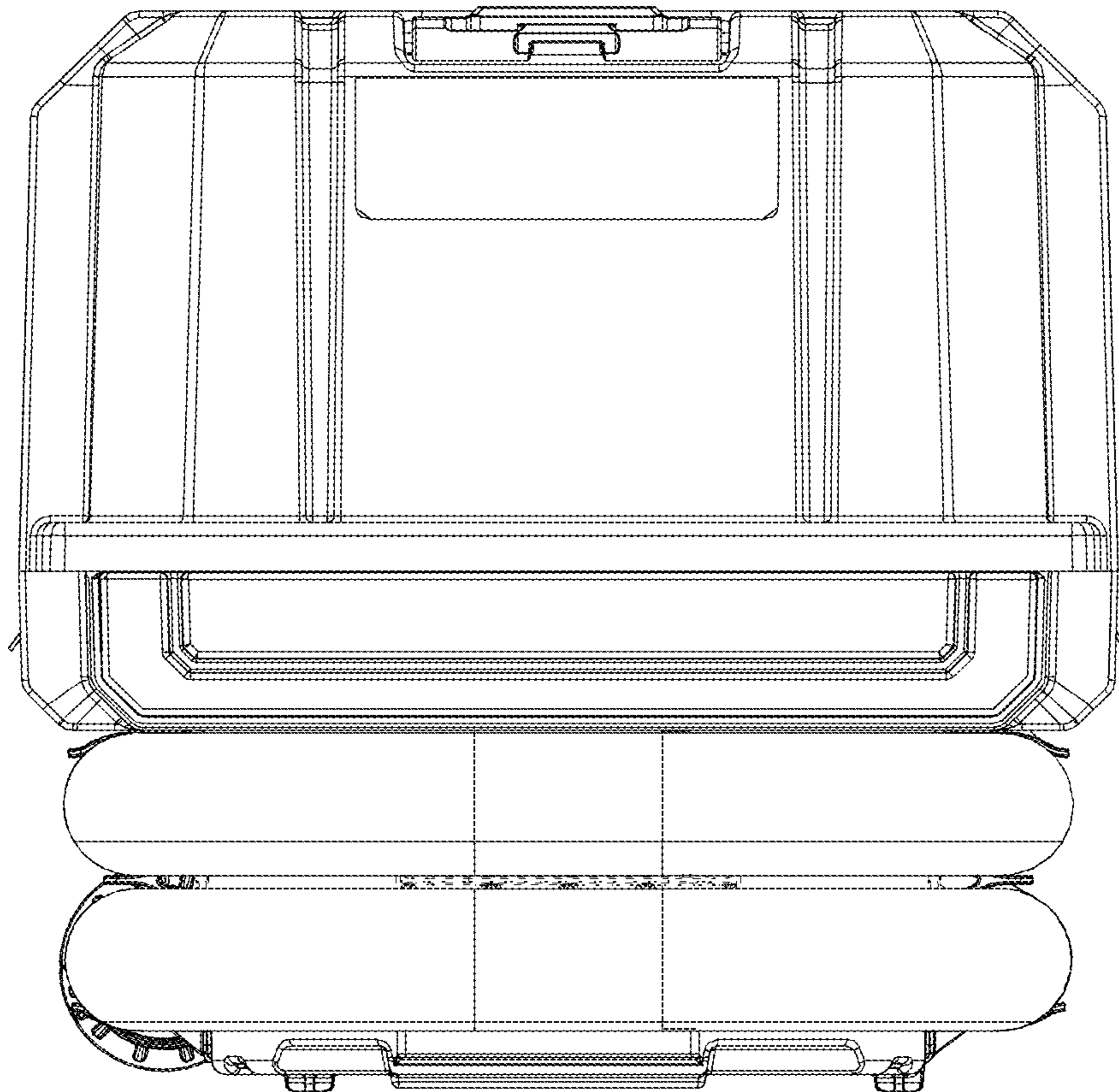


FIG. 4

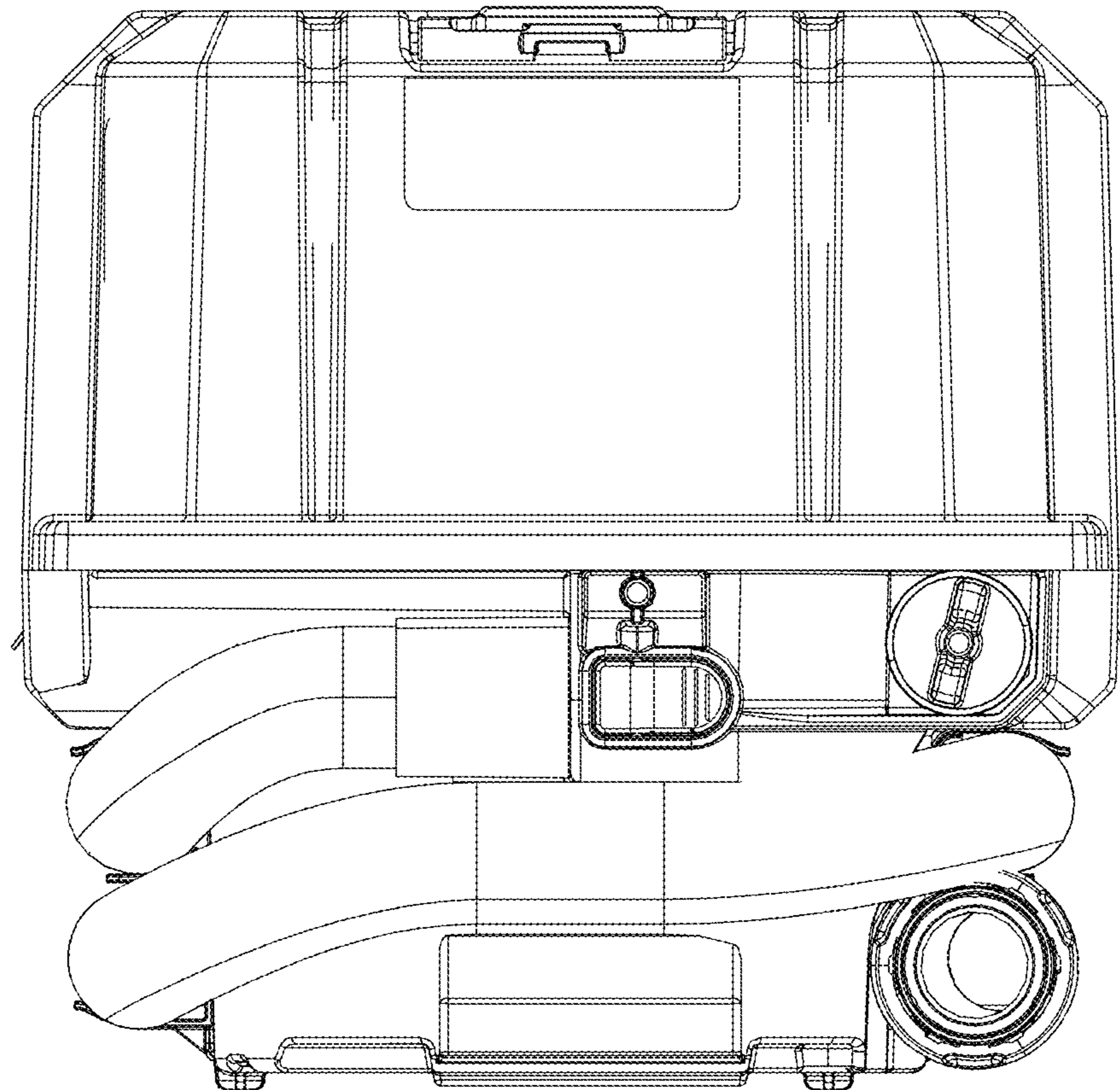


FIG. 5

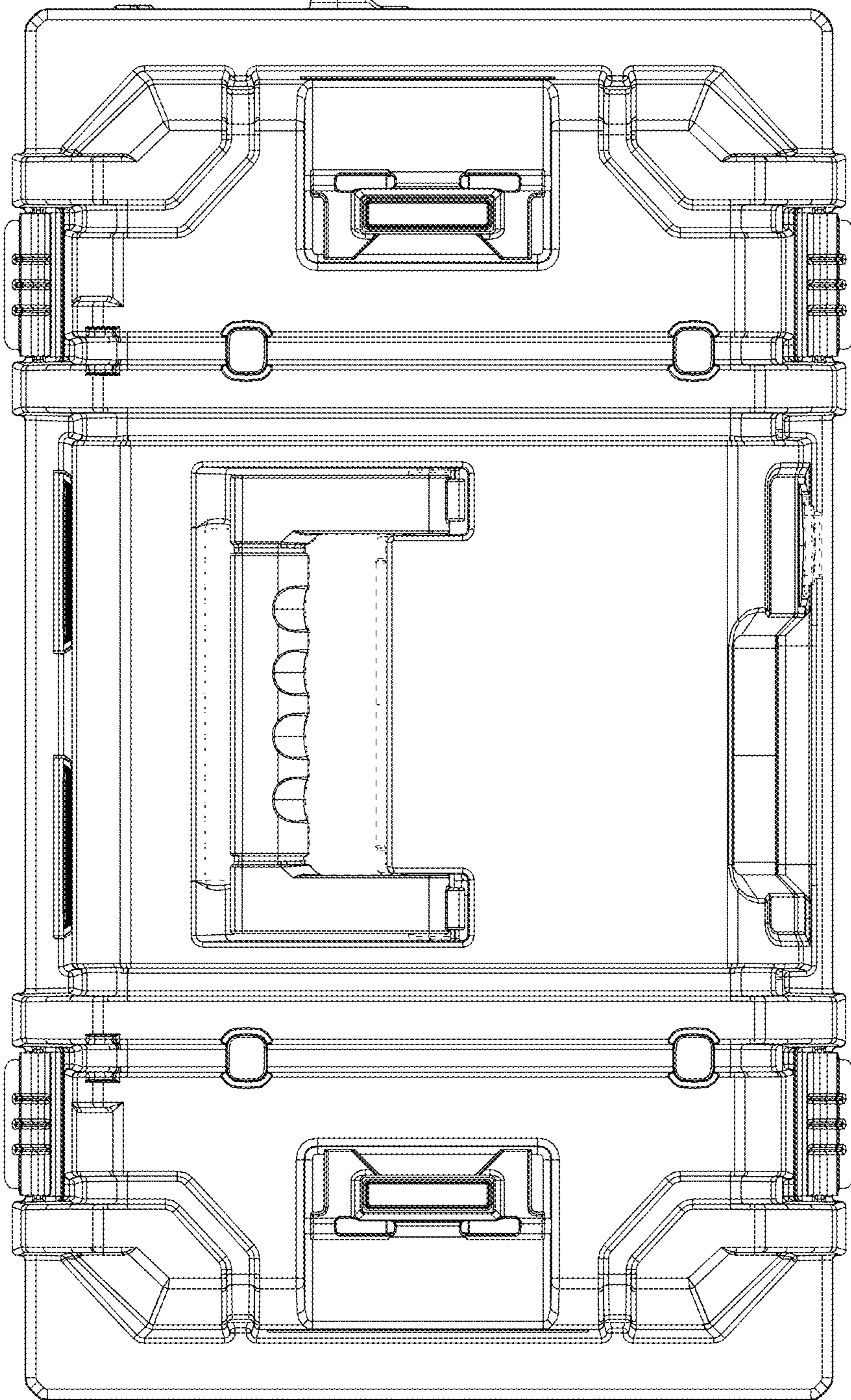


FIG. 6

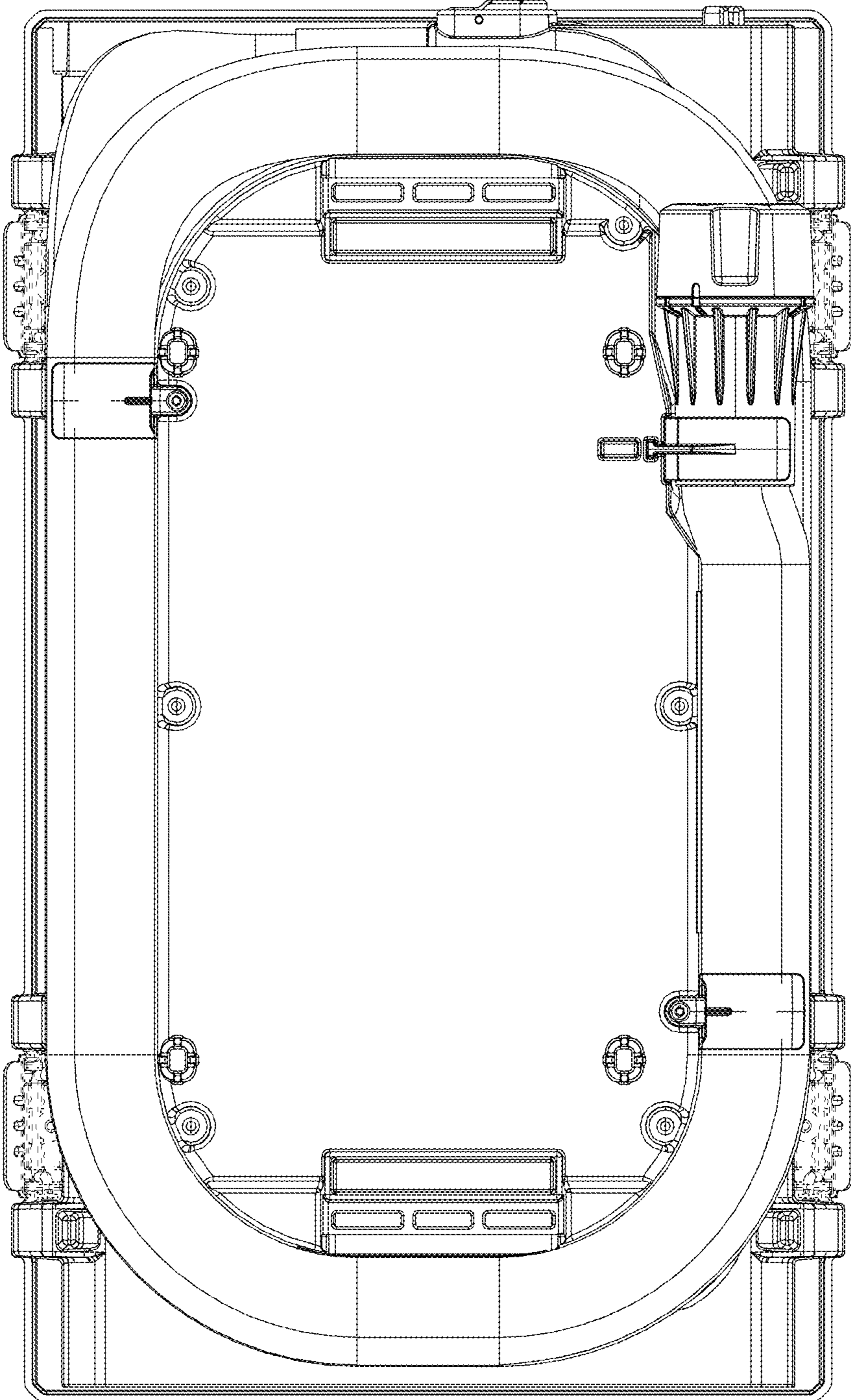


FIG. 7

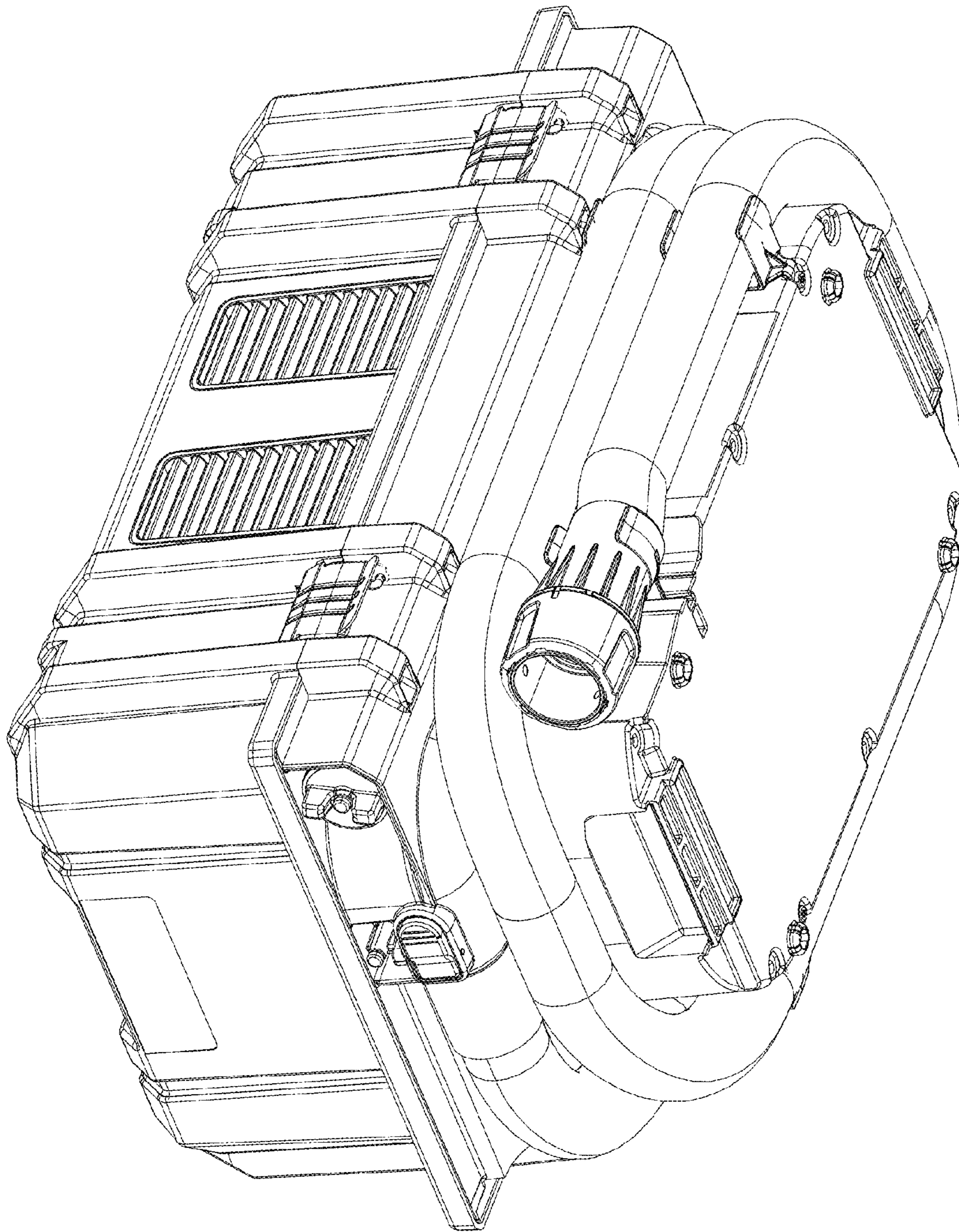


FIG. 8