



US00D940411S

(12) **United States Design Patent** (10) **Patent No.:** **US D940,411 S**
Tschopp (45) **Date of Patent:** **** Jan. 4, 2022**

- (54) **WHEELS FOR PRESSURE WASHER**
- (71) Applicant: **BLACK & DECKER INC.**, New Britain, CT (US)
- (72) Inventor: **Tylan A. Tschopp**, Baltimore, MD (US)
- (73) Assignee: **BLACK & DECKER INC.**, New Britain, CT (US)
- (**) Term: **15 Years**
- (21) Appl. No.: **29/779,890**
- (22) Filed: **Apr. 21, 2021**

Related U.S. Application Data

- (63) Continuation of application No. 29/652,094, filed on May 12, 2020, now Pat. No. Des. 919,909.
- (51) **LOC (13) Cl.** **15-05**
- (52) **U.S. Cl.**
USPC **D32/15**
- (58) **Field of Classification Search**
USPC D32/14, 15-16, 25
CPC B08B 3/02
See application file for complete search history.

(56) **References Cited**

U.S. PATENT DOCUMENTS

D252,871 S *	9/1979	Gill	D12/571
D283,701 S *	5/1986	Ikeda	D12/569
D375,591 S *	11/1996	Fryoux	D32/15
D496,328 S *	9/2004	Shondel	D12/544
D512,956 S *	12/2005	Schell	D12/544
D591,014 S *	4/2009	Li	D32/15
D611,891 S *	3/2010	Ohara	D12/585
D660,525 S *	5/2012	Alexander	D32/15
D711,603 S *	8/2014	Alexander	D32/16
D729,468 S *	5/2015	Dammkoehler	D32/15
D779,746 S *	2/2017	Weinberg	D32/16
D833,966 S *	11/2018	Louzri	D12/596

D834,269 S *	11/2018	Masters	D32/15
D885,312 S *	5/2020	Lejeune	D12/535
D894,100 S *	8/2020	Kuhlmann	D12/535
D894,505 S *	8/2020	Yang	D32/15
D897,272 S *	9/2020	Saari	D12/544
D923,557 S *	6/2021	Crisamore	D12/563
D929,684 S *	8/2021	Tschopp	D32/16
2021/0069754 A1 *	3/2021	Luby	B08B 3/026
2021/0170453 A1 *	6/2021	Kohler Fernandez ..	F04B 17/03

FOREIGN PATENT DOCUMENTS

CN	304045497	*	2/2017
CN	305852232	*	6/2020

* cited by examiner

Primary Examiner — John R Yeh

(74) *Attorney, Agent, or Firm* — Adan Ayala

(57) **CLAIM**

The ornamental design for a wheels for pressure washer, as shown and described.

DESCRIPTION

FIG. 1 is a front perspective view of wheels for a pressure washer according to the invention.

FIG. 2 is a front view of the wheels for the pressure washer of FIG. 1.

FIG. 3 is a rear view of the wheels for the pressure washer of FIG. 1.

FIG. 4 is a right side view of the wheels for the pressure washer of FIG. 1.

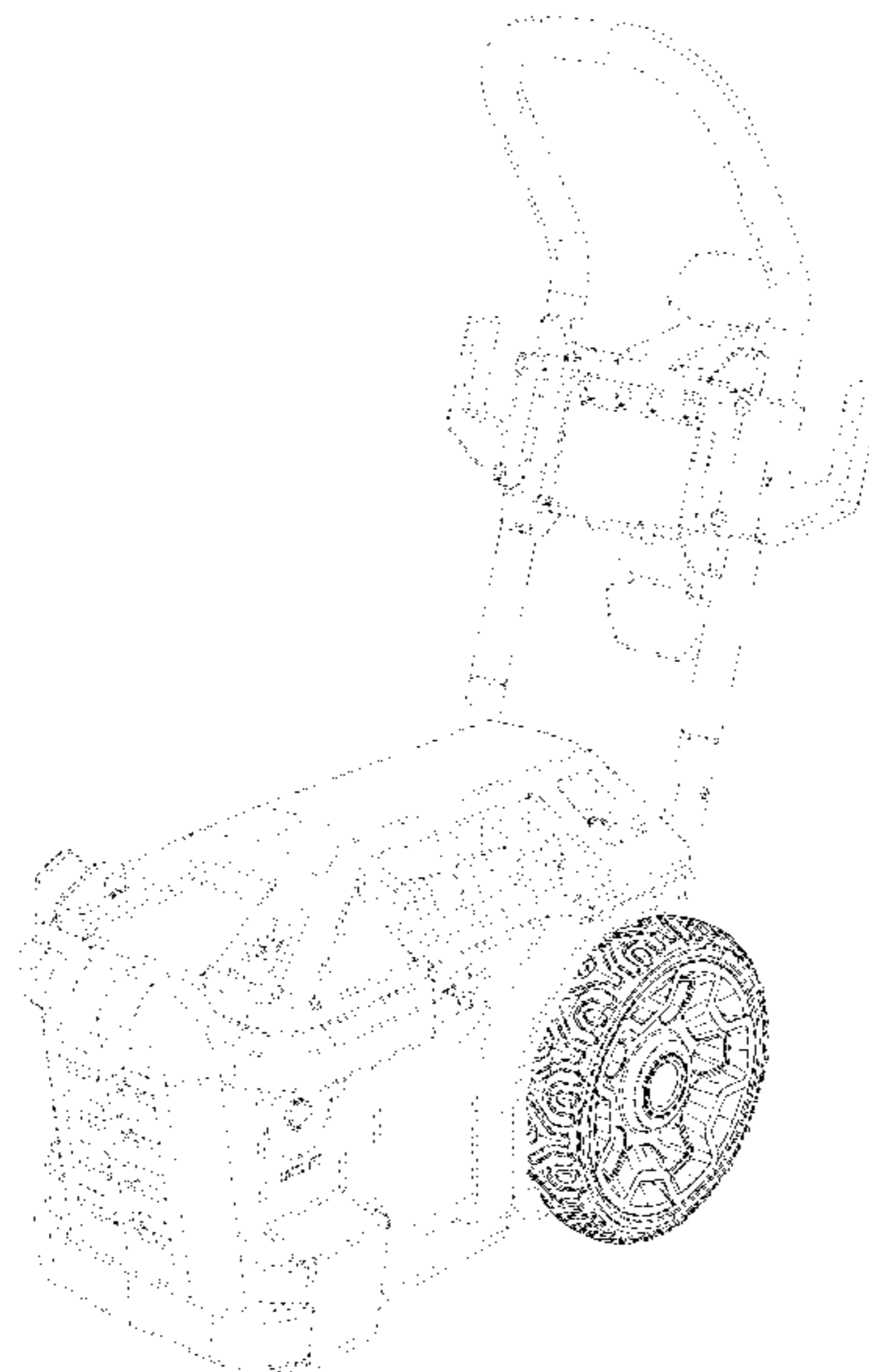
FIG. 5 is a left side view of the wheels for the pressure washer of FIG. 1.

FIG. 6 is a top plan view of the wheels for the pressure washer of FIG. 1; and,

FIG. 7 is a bottom plan view of the wheels for the pressure washer of FIG. 1.

The broken lines depict portions of the wheels for pressure washer that form no part of the claimed design.

1 Claim, 7 Drawing Sheets



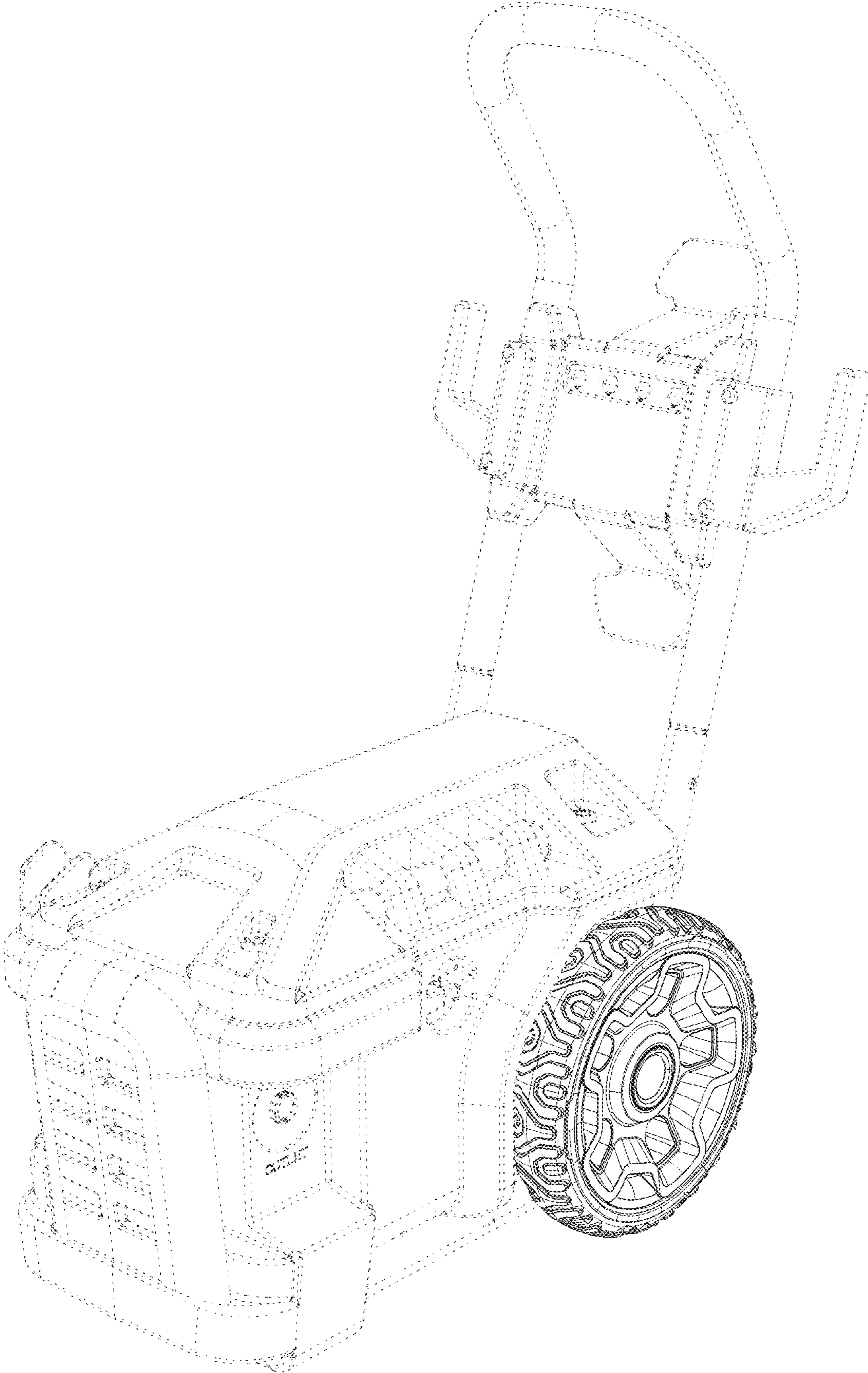


FIG. 1

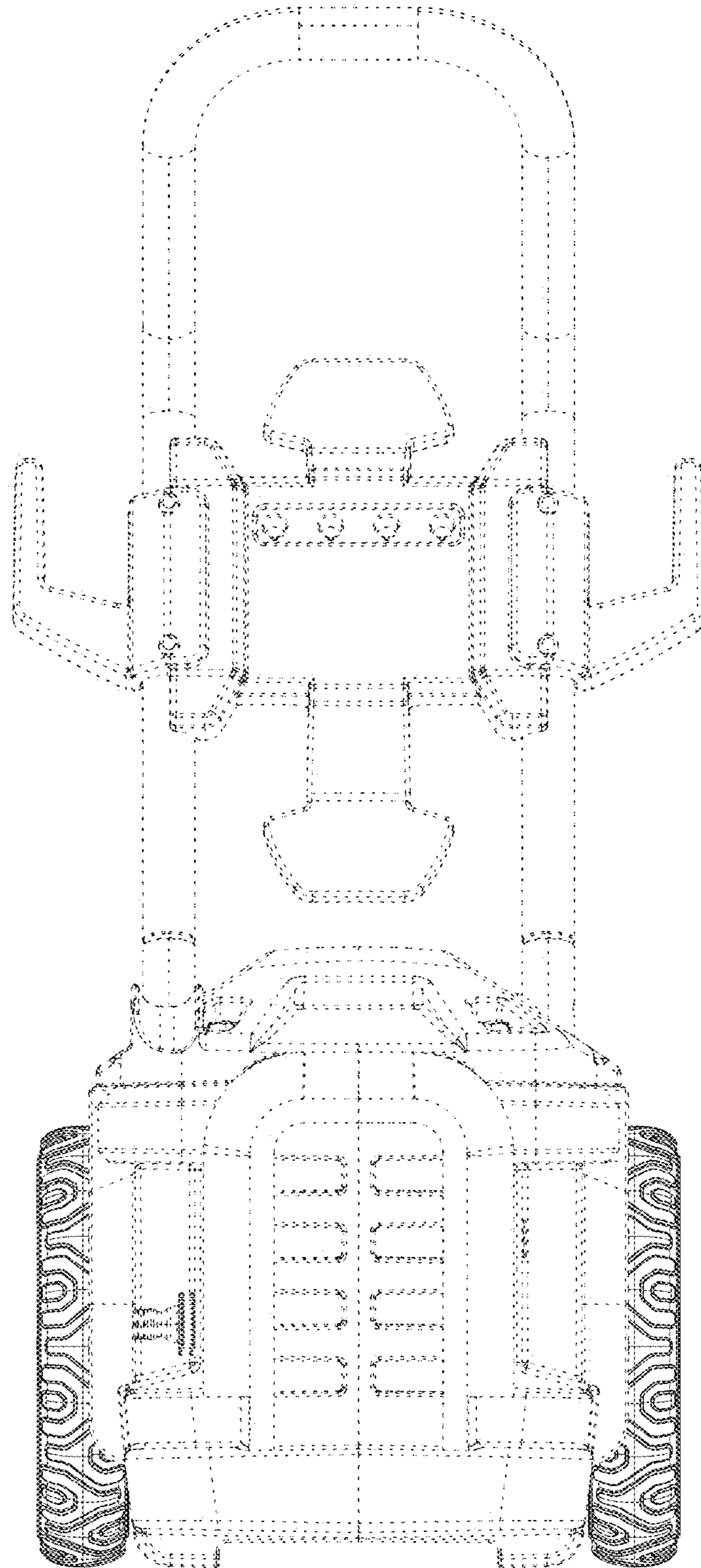


FIG. 2

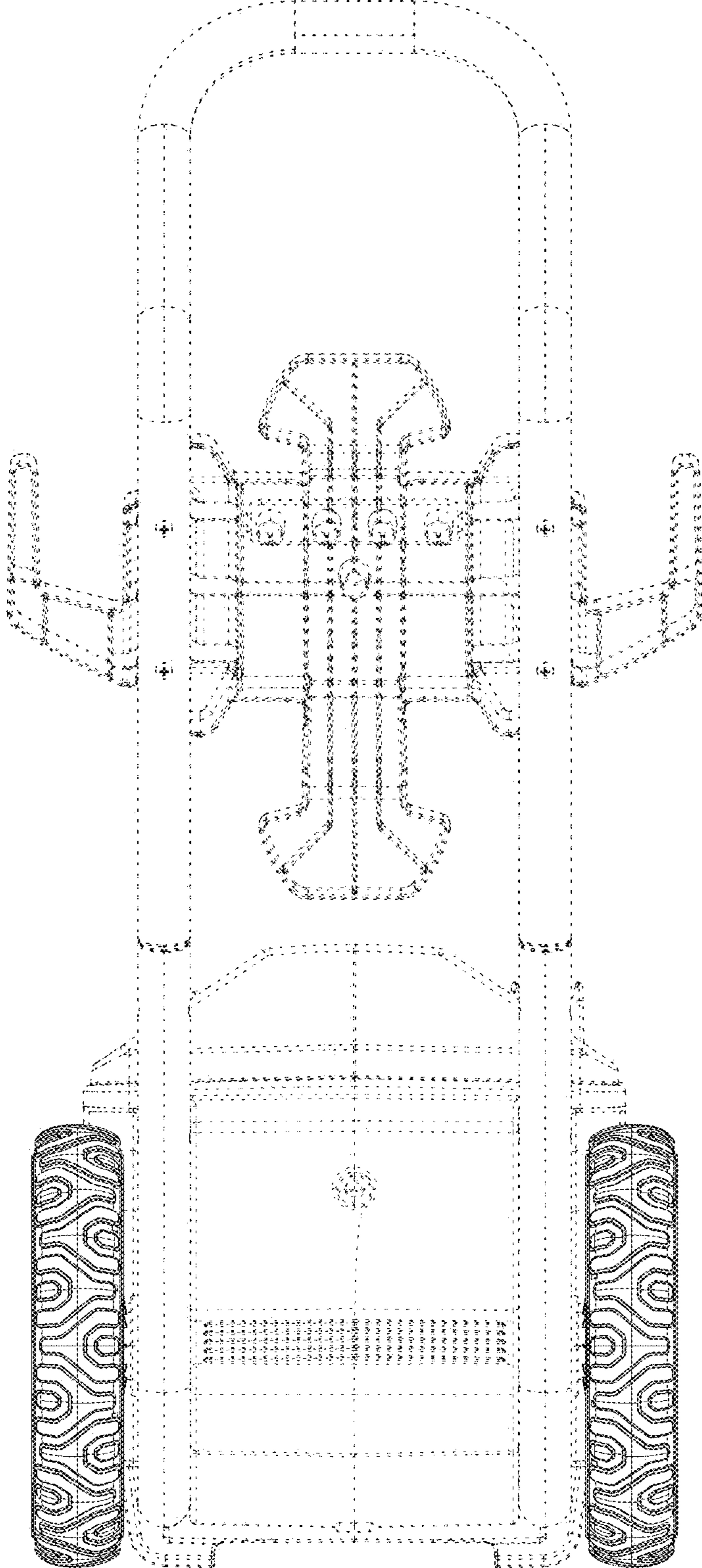


FIG. 3

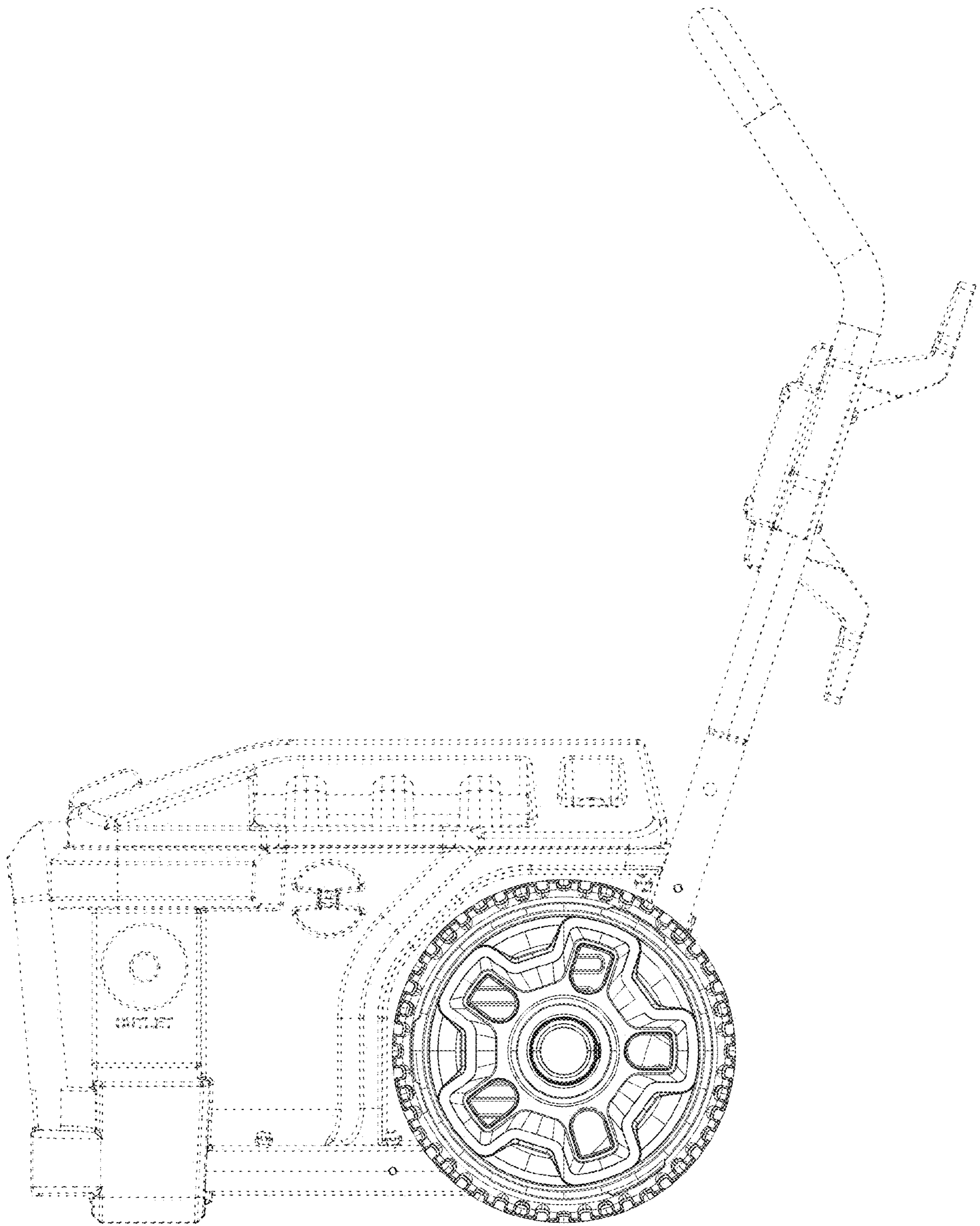


FIG. 4

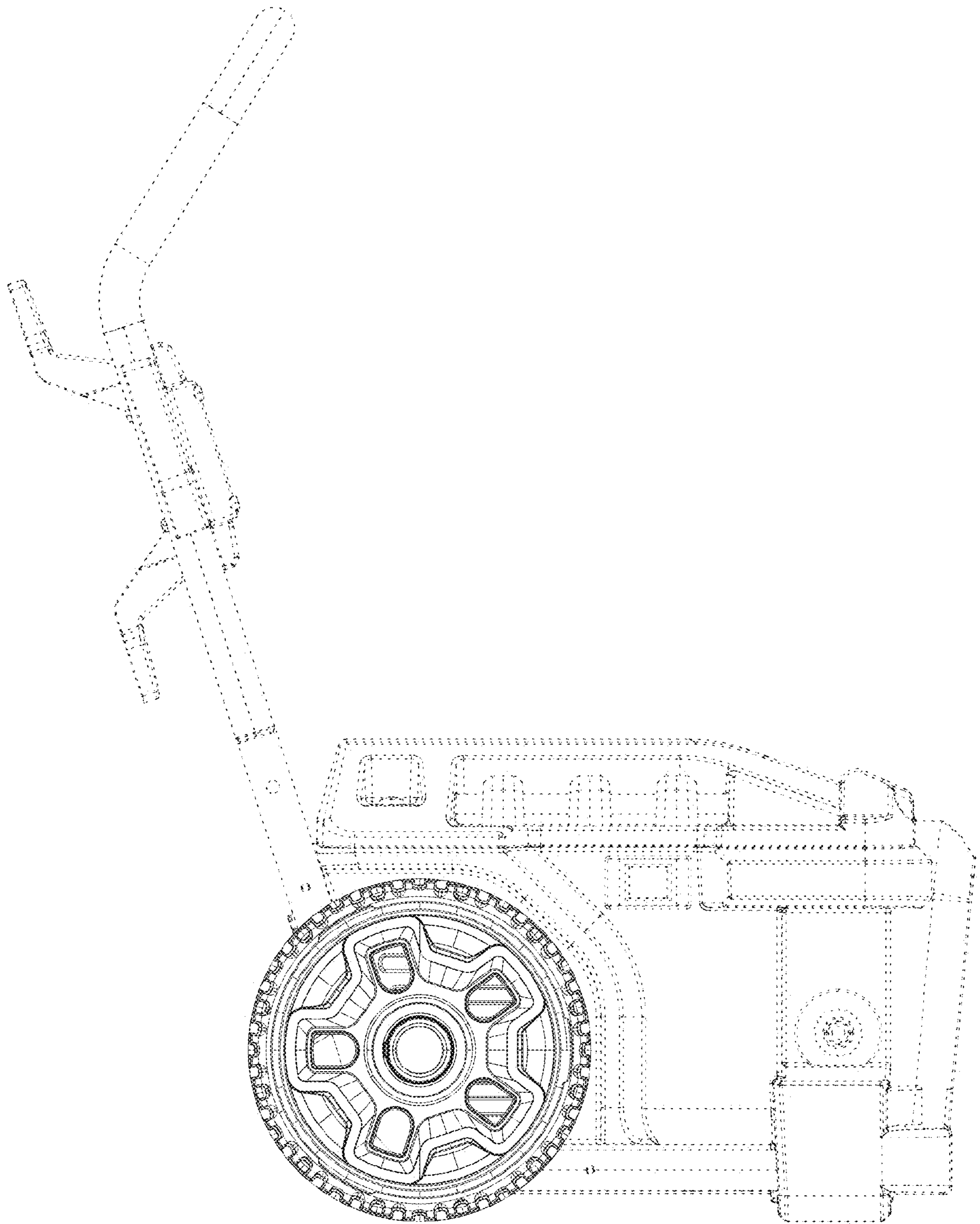


FIG. 5

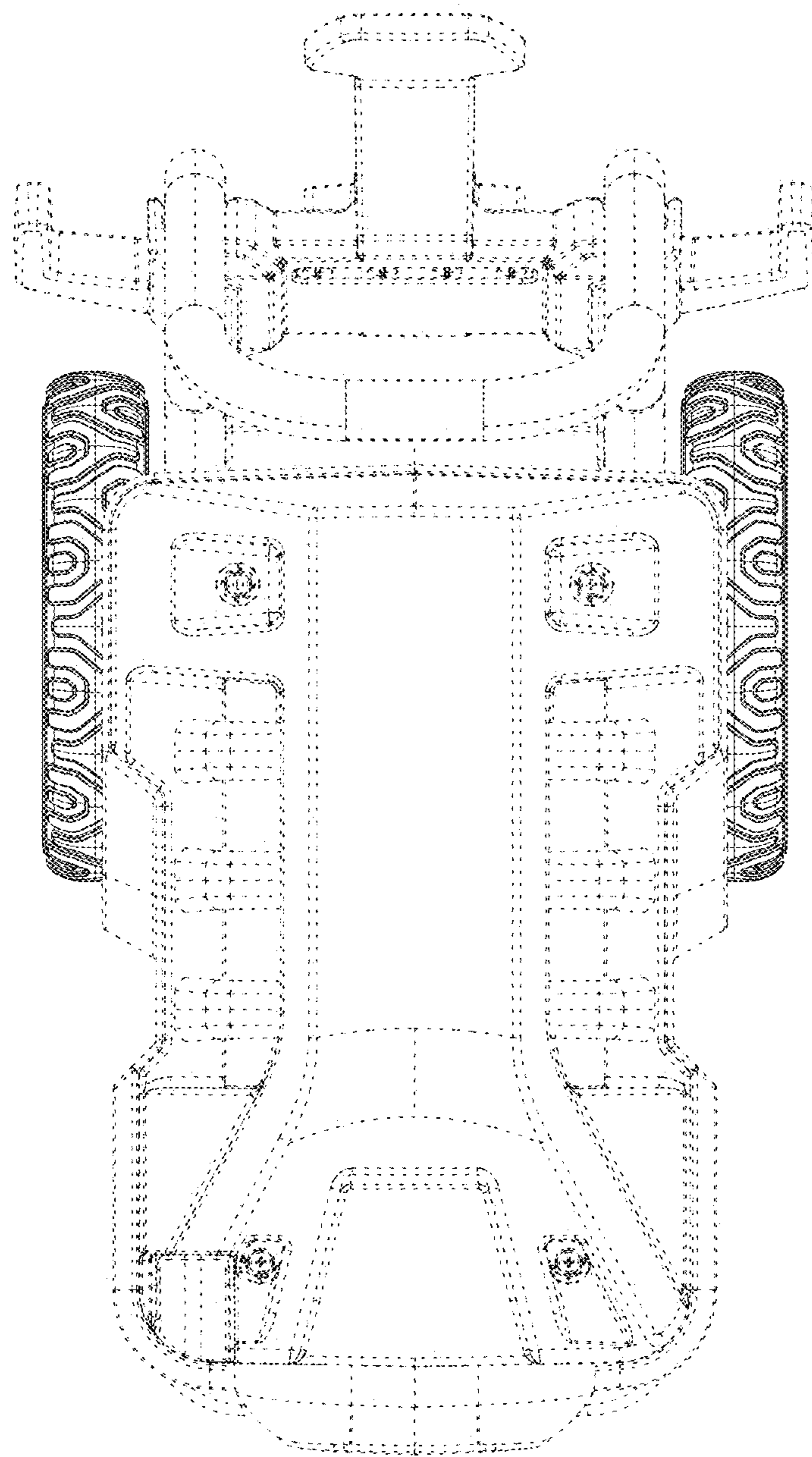


FIG. 6

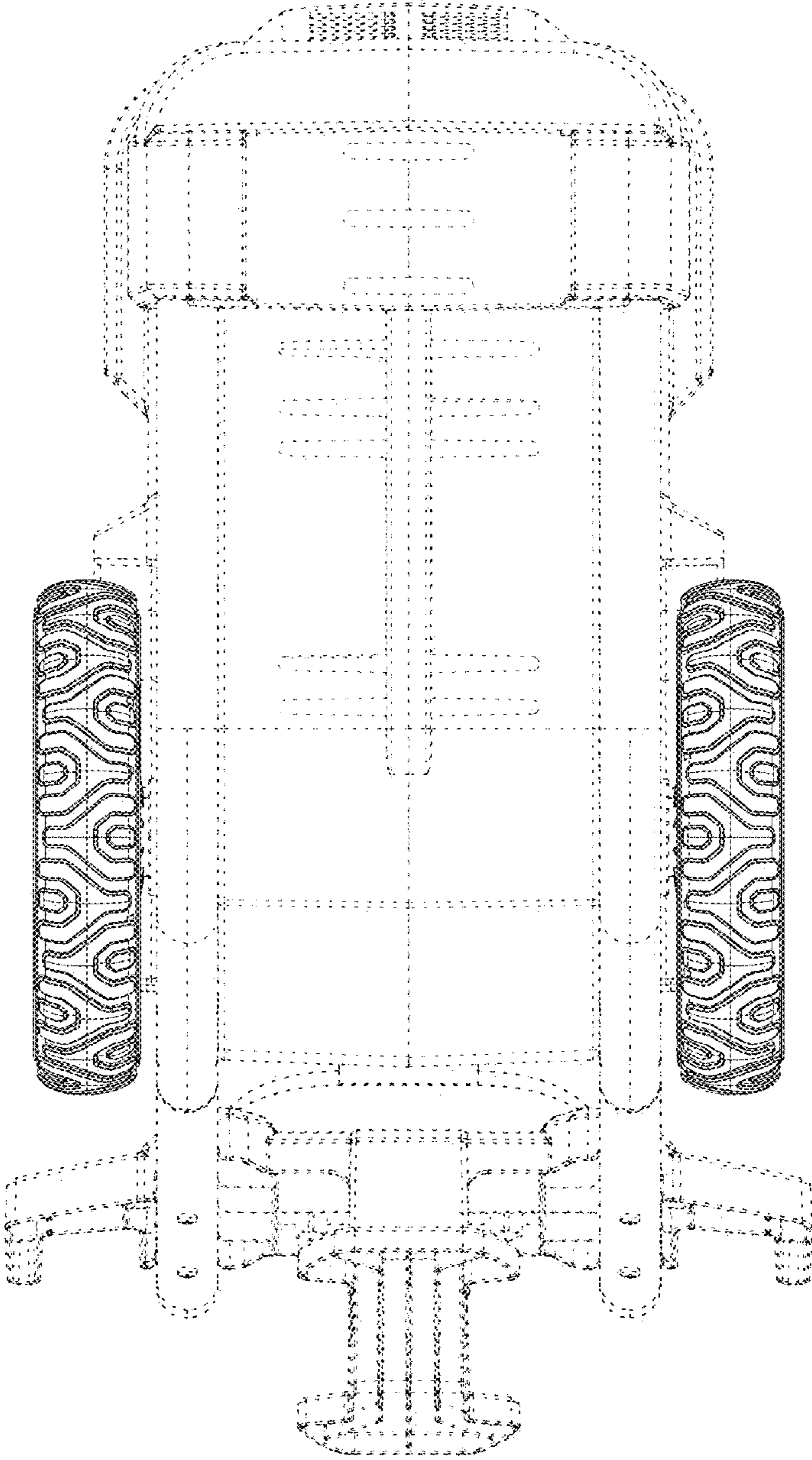


FIG. 7