



US00D940410S

(12) **United States Design Patent**  
**Musha et al.**

(10) **Patent No.:** **US D940,410 S**  
(45) **Date of Patent:** **\*\* Jan. 4, 2022**

(54) **MANUAL WASHING MACHINE**  
(71) Applicant: **CENTARC, INC.**, Tokyo (JP)  
(72) Inventors: **Kohei Musha**, Tokyo (JP); **Yoshihiro Urashima**, Tokyo (JP)  
(73) Assignee: **CENTARC, INC.**, Tokyo (JP)  
(\*\*) Term: **15 Years**  
(21) Appl. No.: **29/656,167**  
(22) Filed: **Jul. 11, 2018**

D472,352 S \* 3/2003 Jung ..... D32/1  
D521,196 S \* 5/2006 Seiffert ..... D32/6  
D538,604 S \* 3/2007 de Groote ..... D7/665  
D538,606 S \* 3/2007 Hood ..... D7/665  
D542,603 S \* 5/2007 Hood ..... D7/665  
7,681,495 B2 \* 3/2010 Wan ..... A47J 43/24  
99/495  
7,975,605 B2 \* 7/2011 Wan ..... F26B 5/08  
99/495  
D657,507 S \* 4/2012 Dash ..... D32/6  
D695,979 S \* 12/2013 Lee ..... D32/6  
9,109,316 B1 \* 8/2015 Thomson ..... D06F 5/04  
9,752,264 B2 \* 9/2017 Silagy ..... D06F 57/00

(Continued)

*Primary Examiner* — Michelle E. Wilson

(30) **Foreign Application Priority Data**

Jan. 12, 2018 (JP) ..... D2018-000365

(51) **LOC (13) Cl.** ..... **15-05**

(52) **U.S. Cl.**  
USPC ..... **D32/6**

(58) **Field of Classification Search**  
USPC ..... D32/29.1, 29, 28, 6, 25, 8, 1, 5, 10  
CPC ..... D06F 39/045; D06F 29/00; D06F 29/005;  
D06F 25/00; D06F 39/022; D06F 33/02;  
D06F 2204/065; D06F 35/006  
See application file for complete search history.

(56) **References Cited**

**U.S. PATENT DOCUMENTS**

D235,369 S \* 6/1975 Dykes ..... D32/6  
D299,569 S \* 1/1989 Davis ..... D32/8  
5,570,598 A \* 11/1996 Haven ..... D06F 13/02  
68/22 A  
D402,165 S \* 12/1998 Bull ..... D7/665  
5,904,090 A \* 5/1999 Lillelund ..... F26B 5/08  
99/495  
D459,037 S \* 6/2002 Schober ..... D32/1  
D468,495 S \* 1/2003 Chen ..... D32/1  
D469,225 S \* 1/2003 Chen ..... D32/1

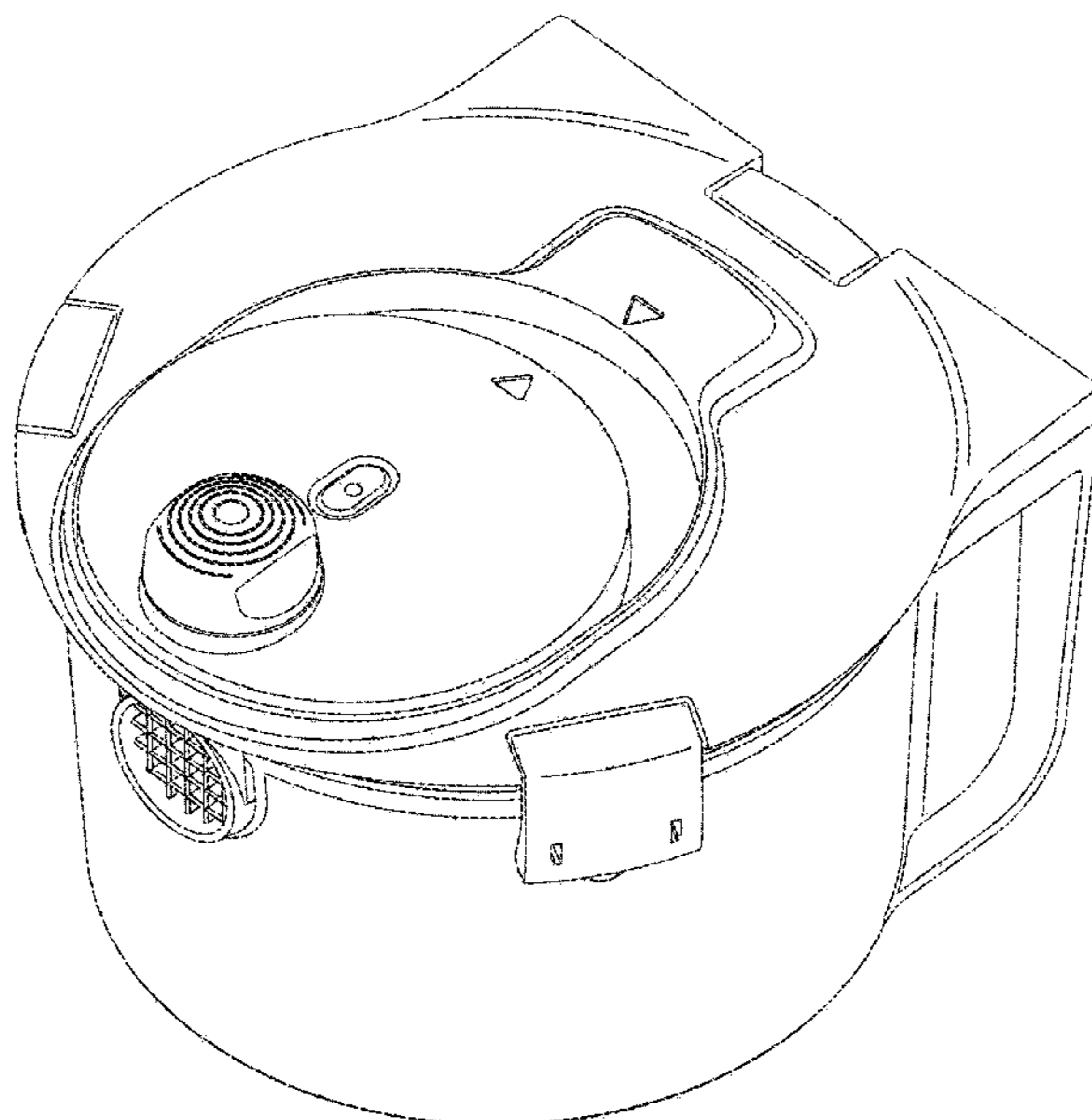
(57) **CLAIM**

The ornamental design for a manual washing machine, as shown and described.

**DESCRIPTION**

FIG. 1 is a front elevation view of a manual washing machine;  
FIG. 2 is a rear elevation view thereof;  
FIG. 3 is a right side elevation view of the manual washing machine, a left side elevation view being a mirror image of the right side elevation view;  
FIG. 4 is a top plan view of the manual washing machine;  
FIG. 5 is a bottom plan view thereof;  
FIG. 6 is a front, top, and right side perspective view thereof;  
FIG. 7 is a rear, top, and right side perspective view thereof;  
FIG. 8 is a front, bottom, and right side perspective view thereof; and,  
FIG. 9 is a rear, bottom, and right side perspective view thereof.  
The broken lines shown in the drawings represent portions of the manual washing machine and form no part of the claimed design.

**1 Claim, 9 Drawing Sheets**



(56)

**References Cited**

U.S. PATENT DOCUMENTS

D816,923 S \* 5/2018 Silagy ..... D32/6  
D817,564 S \* 5/2018 Shin ..... D32/6  
D871,692 S \* 12/2019 Liu ..... D32/6  
2002/0170323 A1\* 11/2002 Stahl ..... D06F 15/00  
68/122  
2005/0005655 A1\* 1/2005 Taylor ..... D06F 5/02  
68/215  
2006/0260366 A1\* 11/2006 Slutsky ..... D06F 23/04  
68/3 R

\* cited by examiner

FIG.1

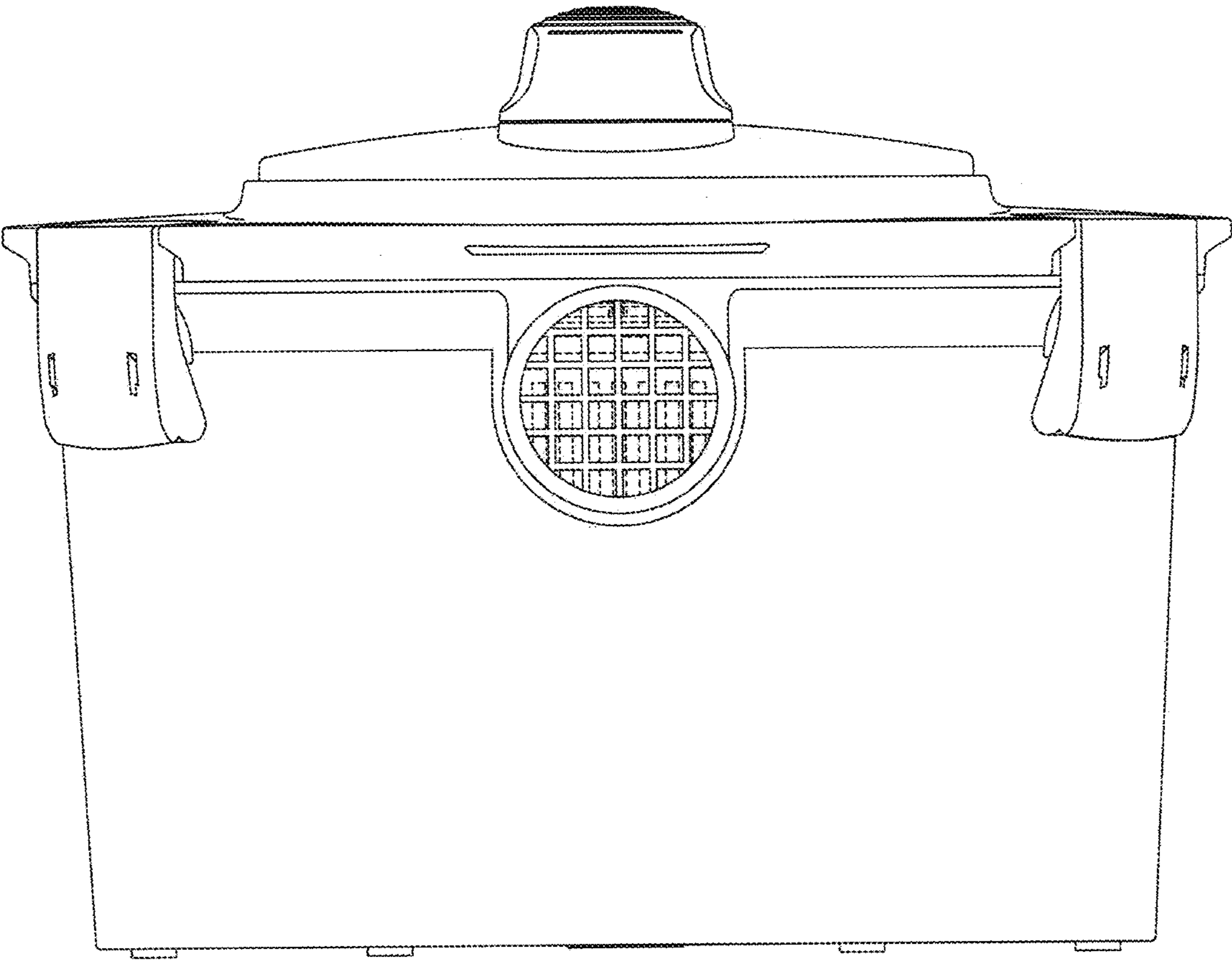


FIG.2

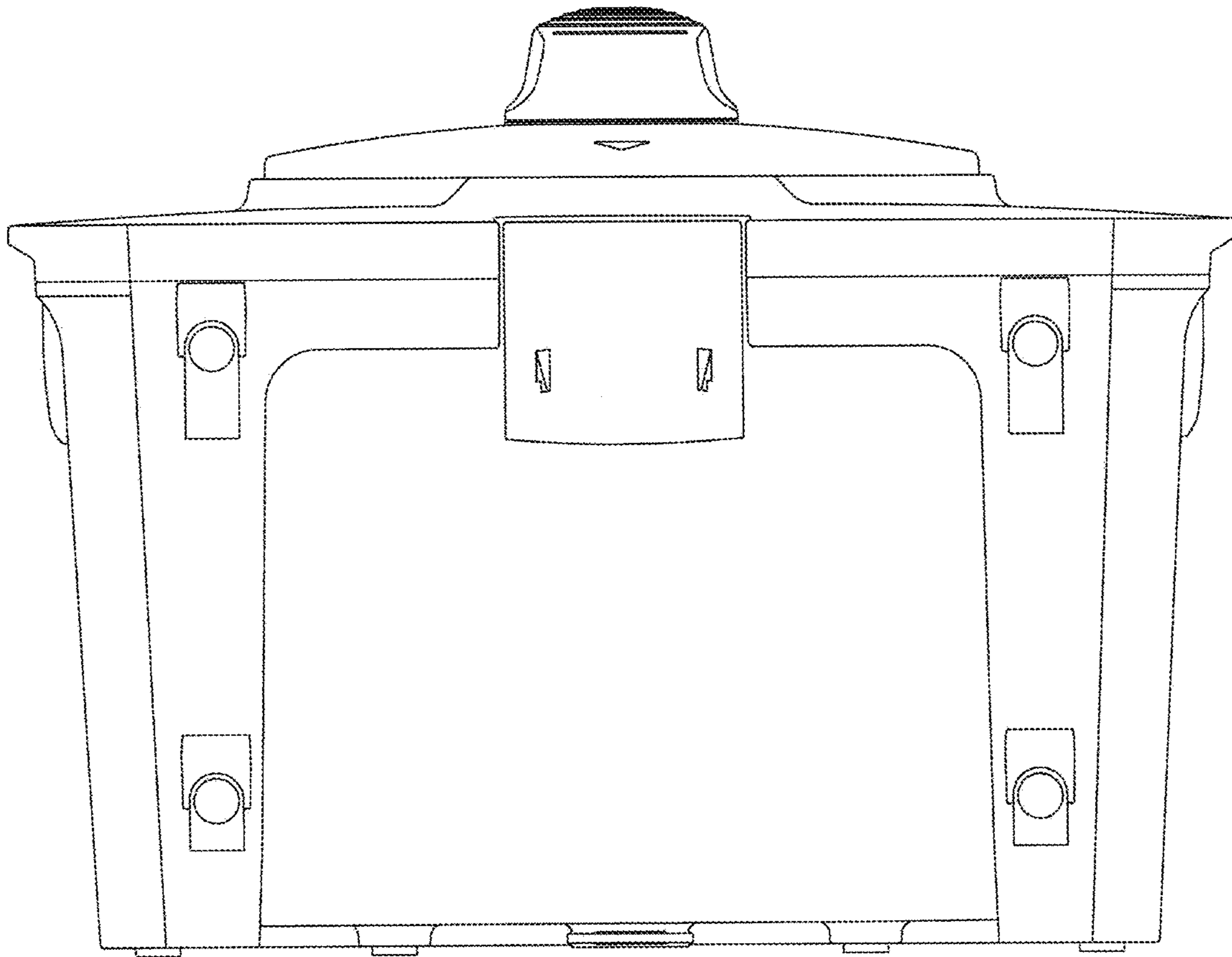


FIG.3

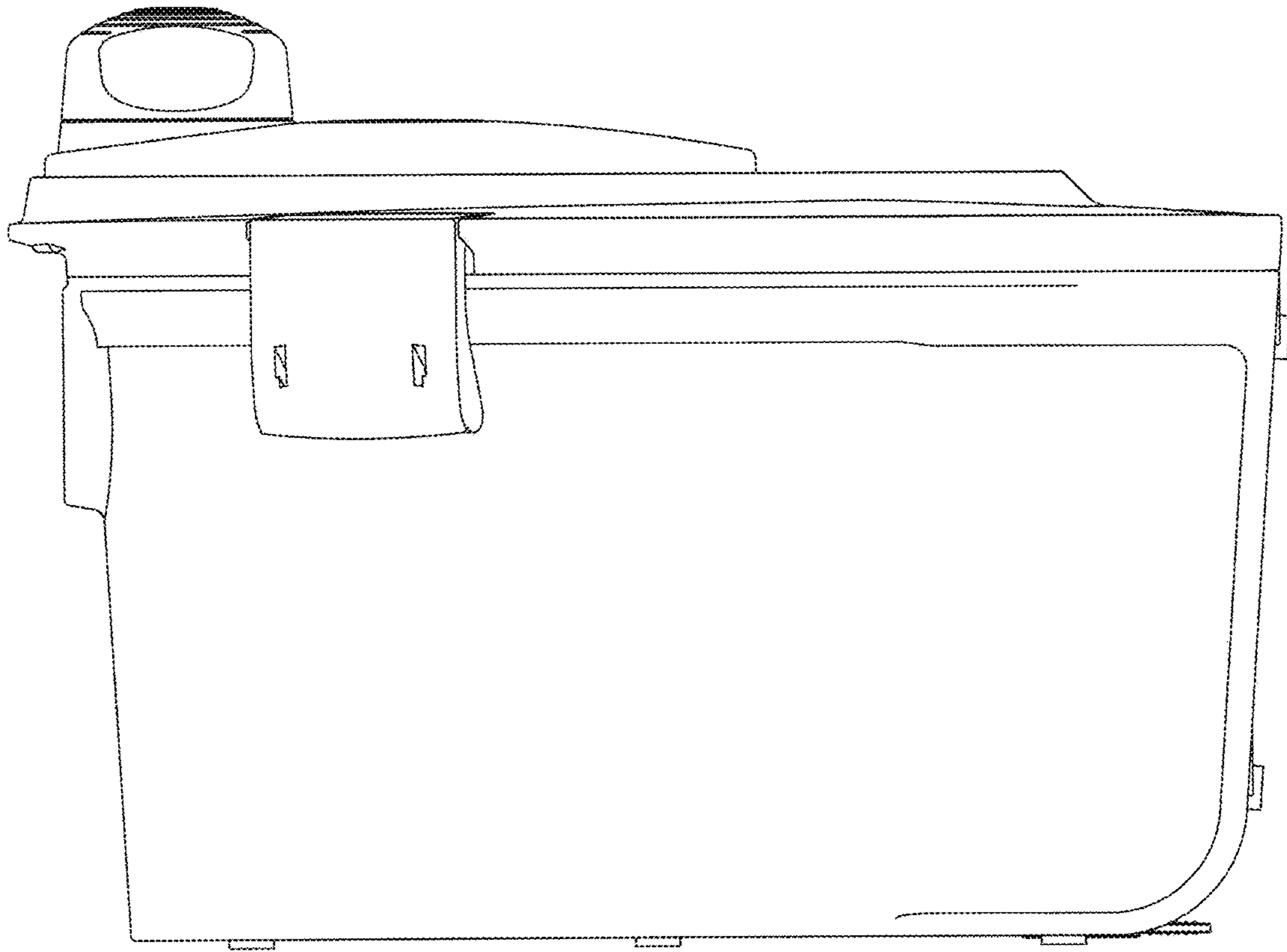


FIG.4

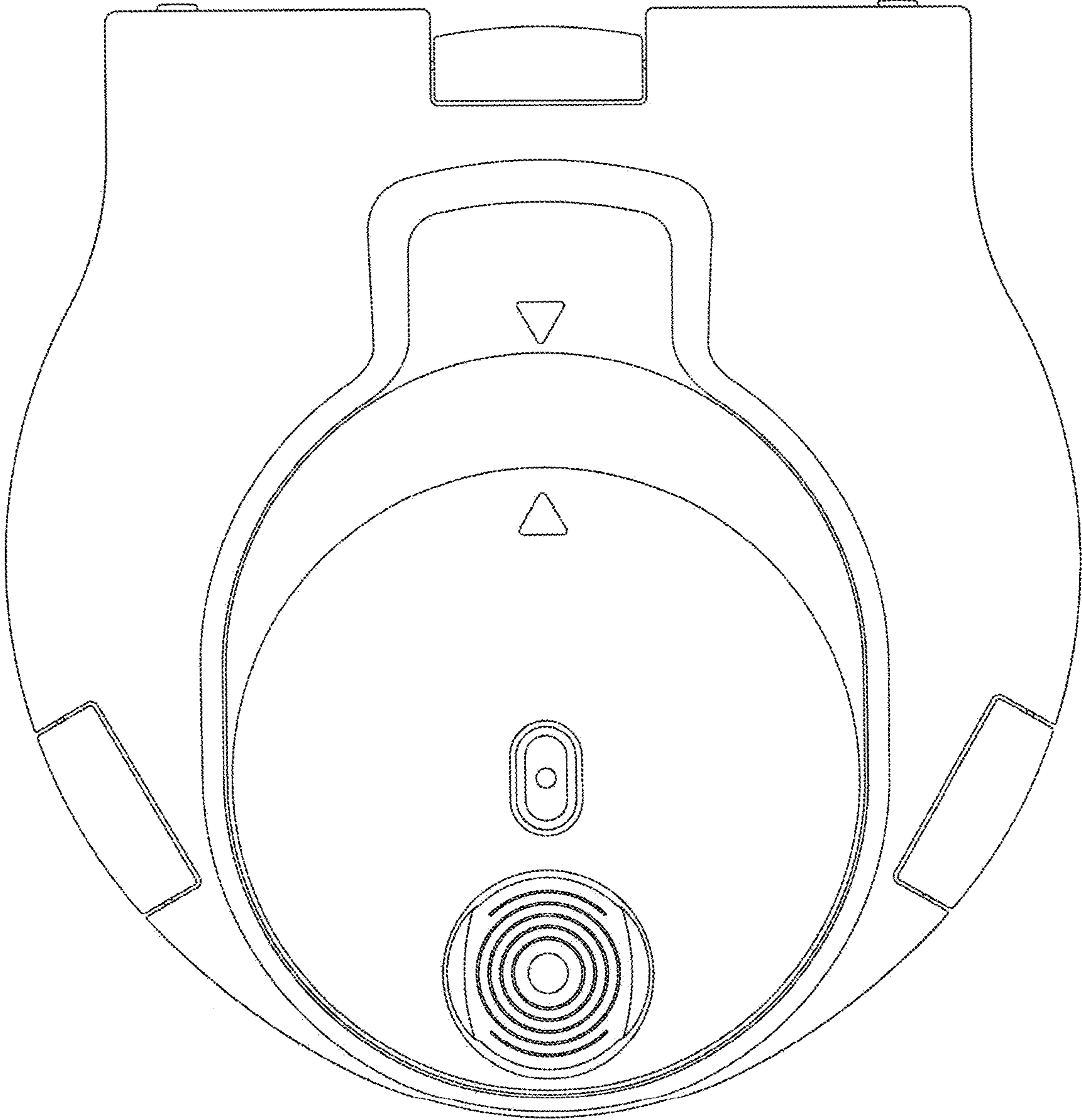


FIG.5

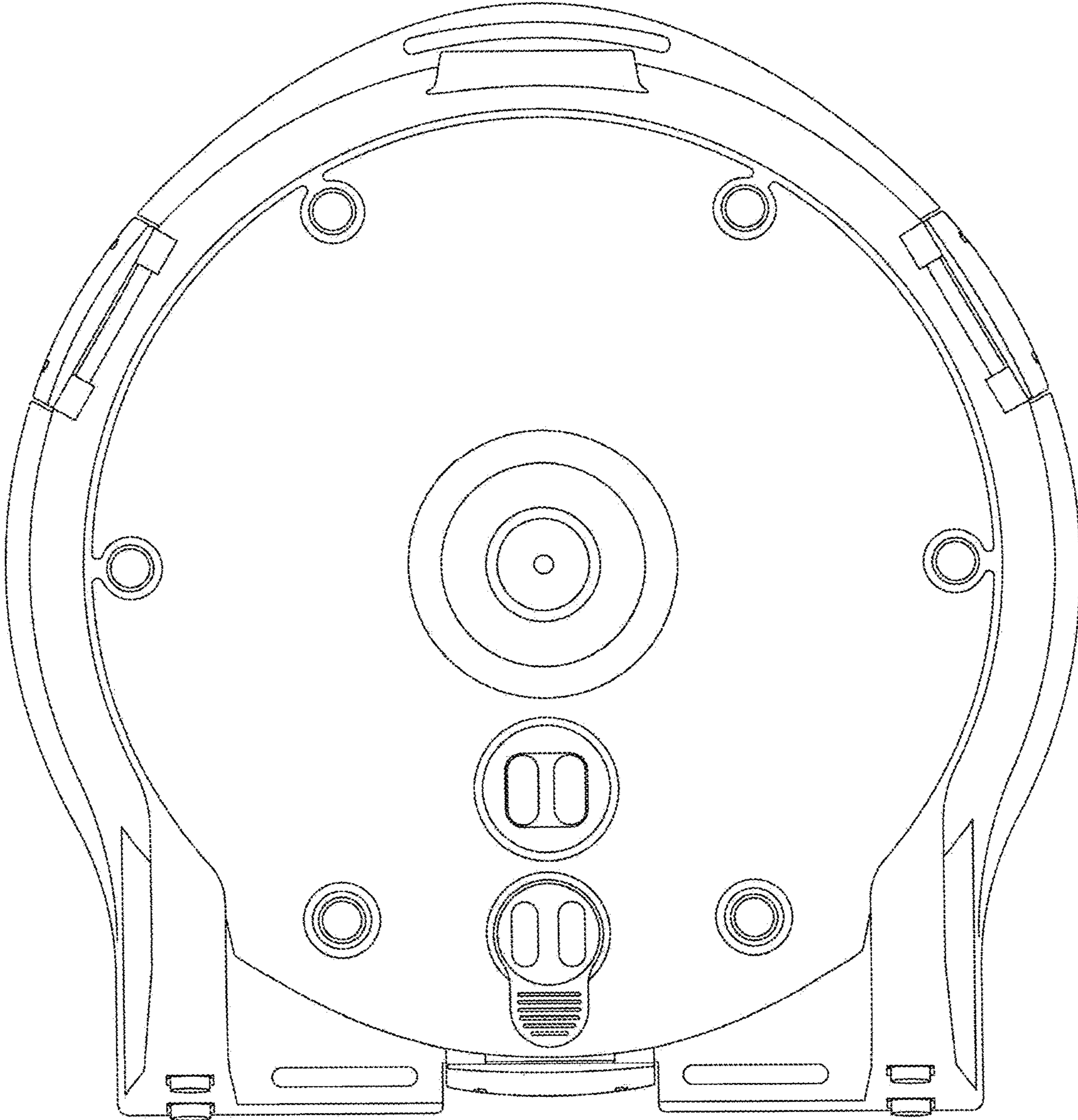


FIG.6

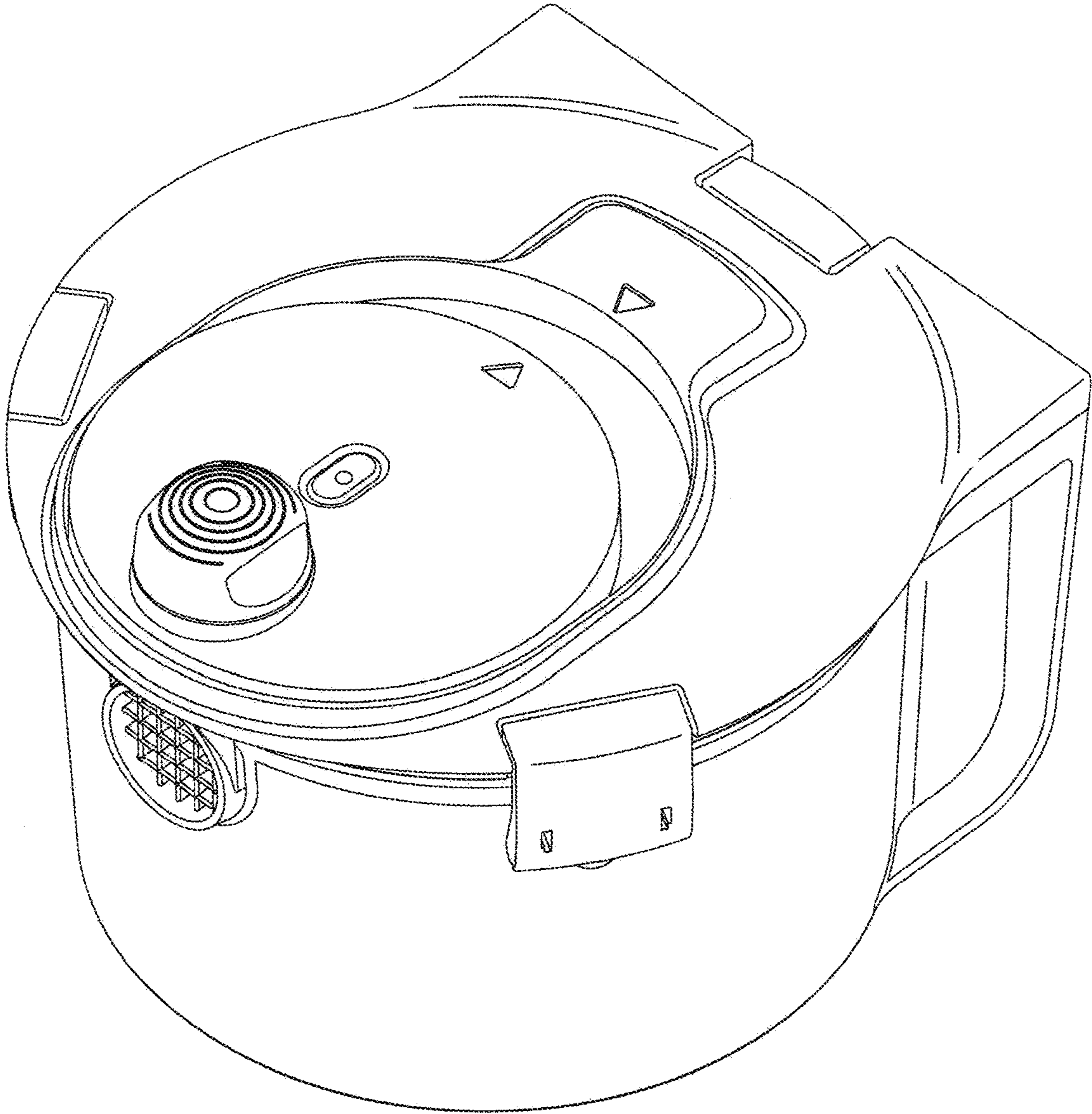




FIG.7

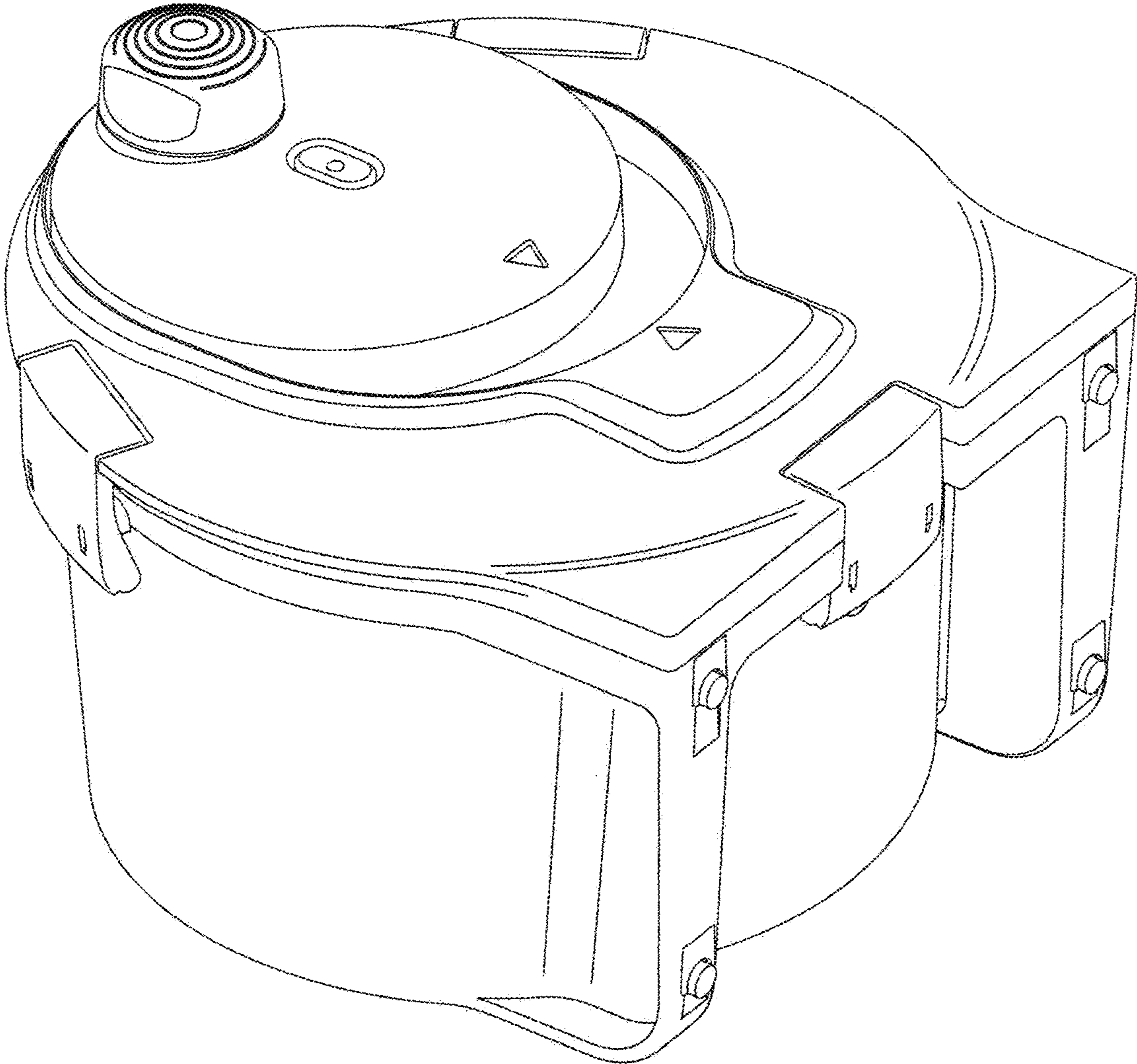


FIG.8

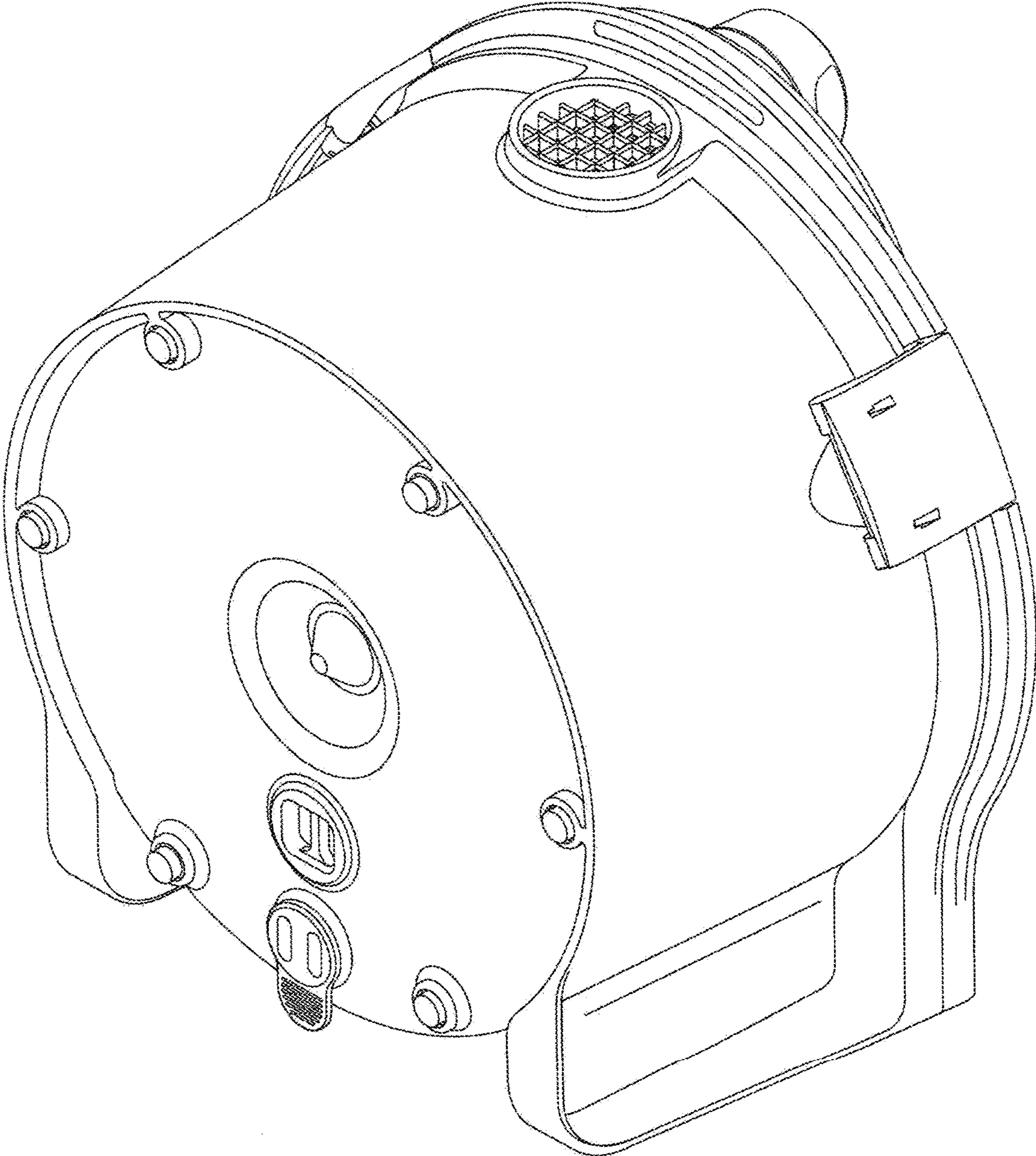


FIG.9

