



US00D940407S

(12) **United States Design Patent** (10) **Patent No.:** **US D940,407 S**
Douglas (45) **Date of Patent:** **** Jan. 4, 2022**

(54) **PET COLLAR**

(71) Applicant: **TENACIOUS INTERNATIONAL INC.**, Newmarket (CA)

(72) Inventor: **Helen Charlotte Douglas**, Baie Verte (CA)

(73) Assignee: **TENACIOUS INTERNATIONAL INC.**, Newmarket (CA)

(**) Term: **15 Years**

(21) Appl. No.: **29/718,173**

(22) Filed: **Dec. 20, 2019**

(51) **LOC (13) Cl.** **30-04**

(52) **U.S. Cl.**
USPC **D30/152**

(58) **Field of Classification Search**

USPC D21/398, 400, 402, 412, 415, 426, 436, D21/439, 440, 441, 443, 455, 460-462, D21/466-468, 479, 495, 563, 656, 712, D21/713, 788, 799.1, 470, 681; D24/211, D24/214, 215, 193-195, 199; D30/108-120, 158-161, 121, 133, 145, D30/152, 199; D1/125-127; D2/877; D6/601; D29/109, 120.1
CPC A63H 5/00; A63H 33/26; A63H 33/18; A63H 29/22; A63H 29/24; A63H 2200/00; A63H 11/00; A63H 13/00; A63H 18/02; A63H 18/14; A63H 18/16; A63H 29/00; A63H 33/009; A63H 33/22; A63H 33/3055; A63H 3/003; A63H 3/006; A63H 3/008; A63H 3/24; A63H 3/28; A63H 3/31; A63H 3/36; A63H 9/00; A63B 59/20; A63B 69/406; A63B 47/04; A63B 2220/51; A63B 2220/53; A63B 2220/56; A63B 2220/805; A63B 2071/0625; A63B 2071/063; A63B 2220/17; A63B 2220/18; A63B 2220/40; A63B 2220/803; A63B 2220/833; A63B 43/004; A63B 43/06; A63B 71/0622;

A63B 2071/0602; A63B 21/0055; A63B 2207/02; A63B 2225/54; A63B 69/0053; A63B 2047/043; A01K 27/00; A01K 27/001; A01K 27/003; A01K 27/005; A01K 27/006; A01K 27/007; A01K 27/008; A01K 27/009; A01K 1/062; A01K 1/06; A01K 25/00; A01K 13/006

See application file for complete search history.

(56) **References Cited**

U.S. PATENT DOCUMENTS

D281,816 S *	12/1985	Conn, Sr.	D24/211
D506,296 S *	6/2005	Driver	119/815
D562,505 S *	2/2008	Fujita	D30/152
D579,157 S *	10/2008	Edwards	D21/707
D632,851 S *	2/2011	Maroney	D30/152
D659,305 S *	5/2012	Song	D30/160
D664,721 S *	7/2012	Martinez	D30/152

(Continued)

Primary Examiner — Sheryl Lane

Assistant Examiner — Aula Soroush

(74) *Attorney, Agent, or Firm* — Perry + Currier Inc.

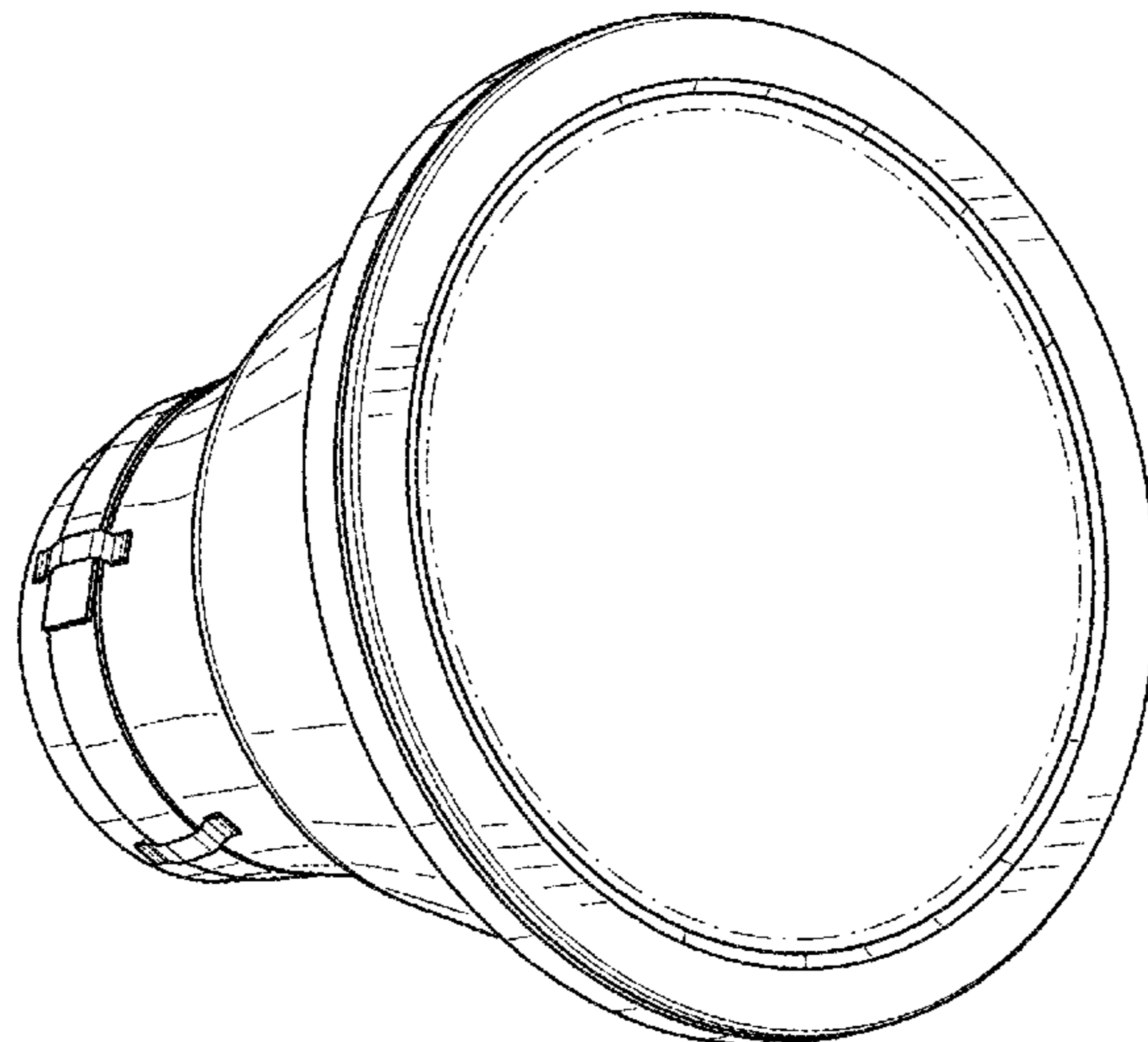
(57) **CLAIM**

The ornamental design for a pet collar, as shown and described.

DESCRIPTION

FIG. 1 is a perspective view of the first embodiment of the pet collar showing our new design;
FIG. 2 is another perspective view thereof;
FIG. 3 is a right side elevation view thereof;
FIG. 4 is a front elevation view thereof;
FIG. 5 is a left side elevation view thereof;
FIG. 6 is a rear elevation view thereof;
FIG. 7 is a top plan view thereof; and,
FIG. 8 is a bottom plan view thereof.
The broken lines in the drawings illustrate portions of the pet collar that form no part of the claimed design.

1 Claim, 5 Drawing Sheets



(56)

References Cited

U.S. PATENT DOCUMENTS

D673,739 S * 1/2013 Herrera D30/152
8,720,386 B2 * 5/2014 Markfield A01K 27/001
119/855
8,739,741 B2 * 6/2014 Groff A61D 9/00
119/815
D734,899 S * 7/2015 Martinez D30/144
D747,833 S * 1/2016 Liu D30/160
D757,372 S * 5/2016 Clinton D30/121
D804,110 S * 11/2017 Hamill D30/160
D805,207 S * 12/2017 Ruffin D24/187
D844,260 S * 3/2019 Cai D30/152
D869,103 S * 12/2019 Bolton D30/144
D873,419 S * 1/2020 Ruffin D24/187
D886,391 S * 6/2020 Moritz D30/144
D887,092 S * 6/2020 Moritz D30/144
2017/0325423 A1 * 11/2017 McGrath A01K 13/006

* cited by examiner

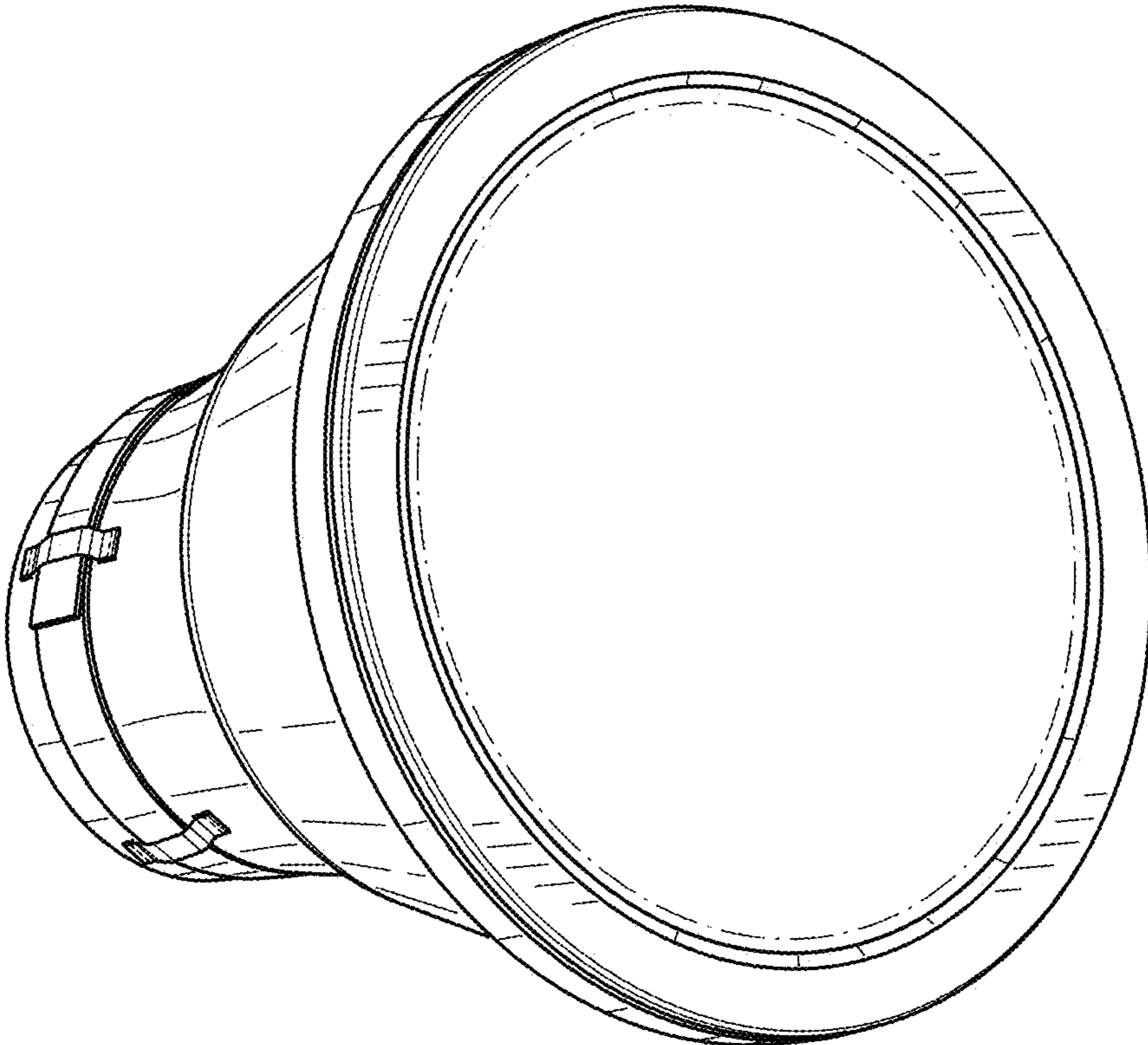


FIG. 1

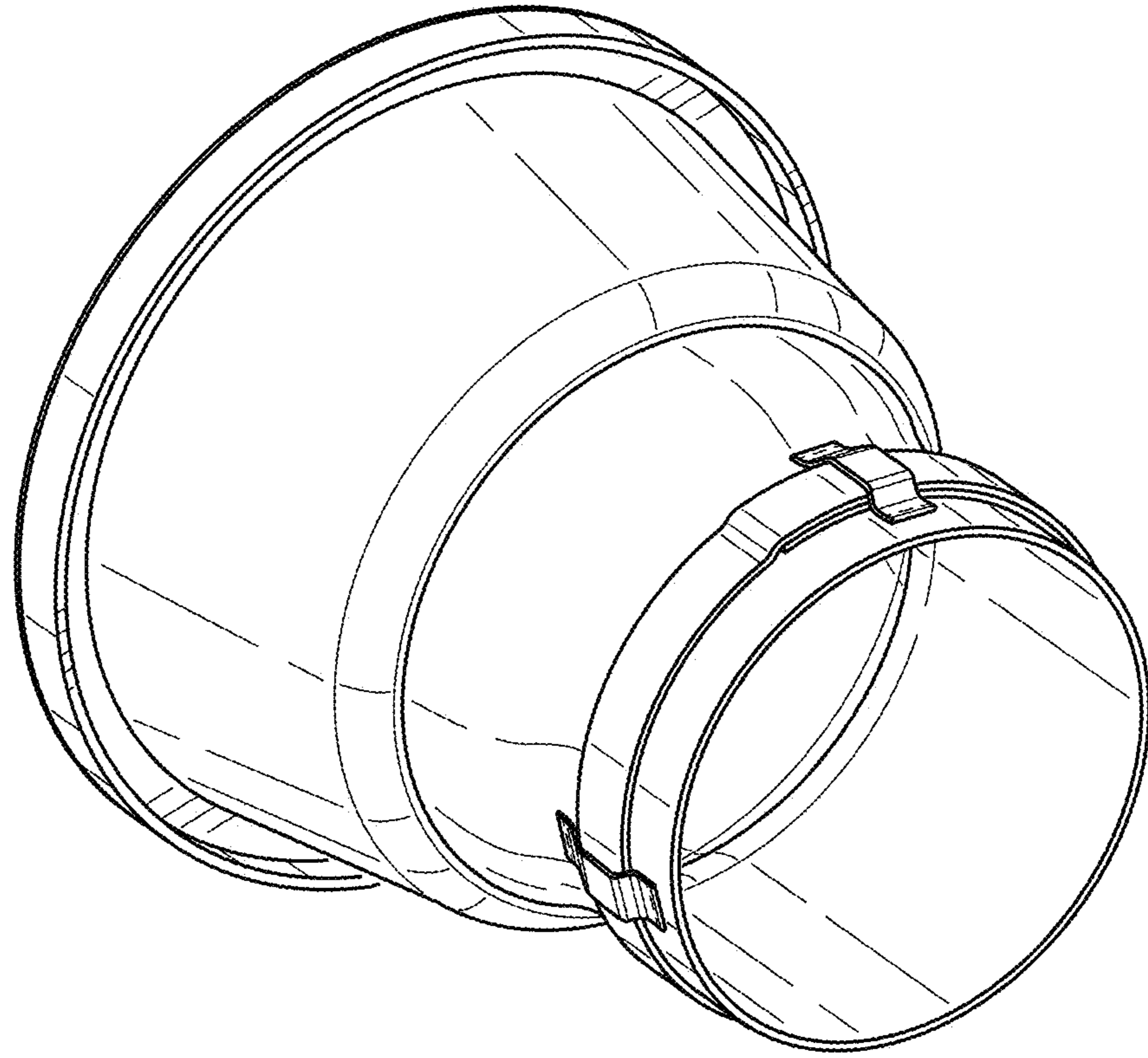


FIG. 2

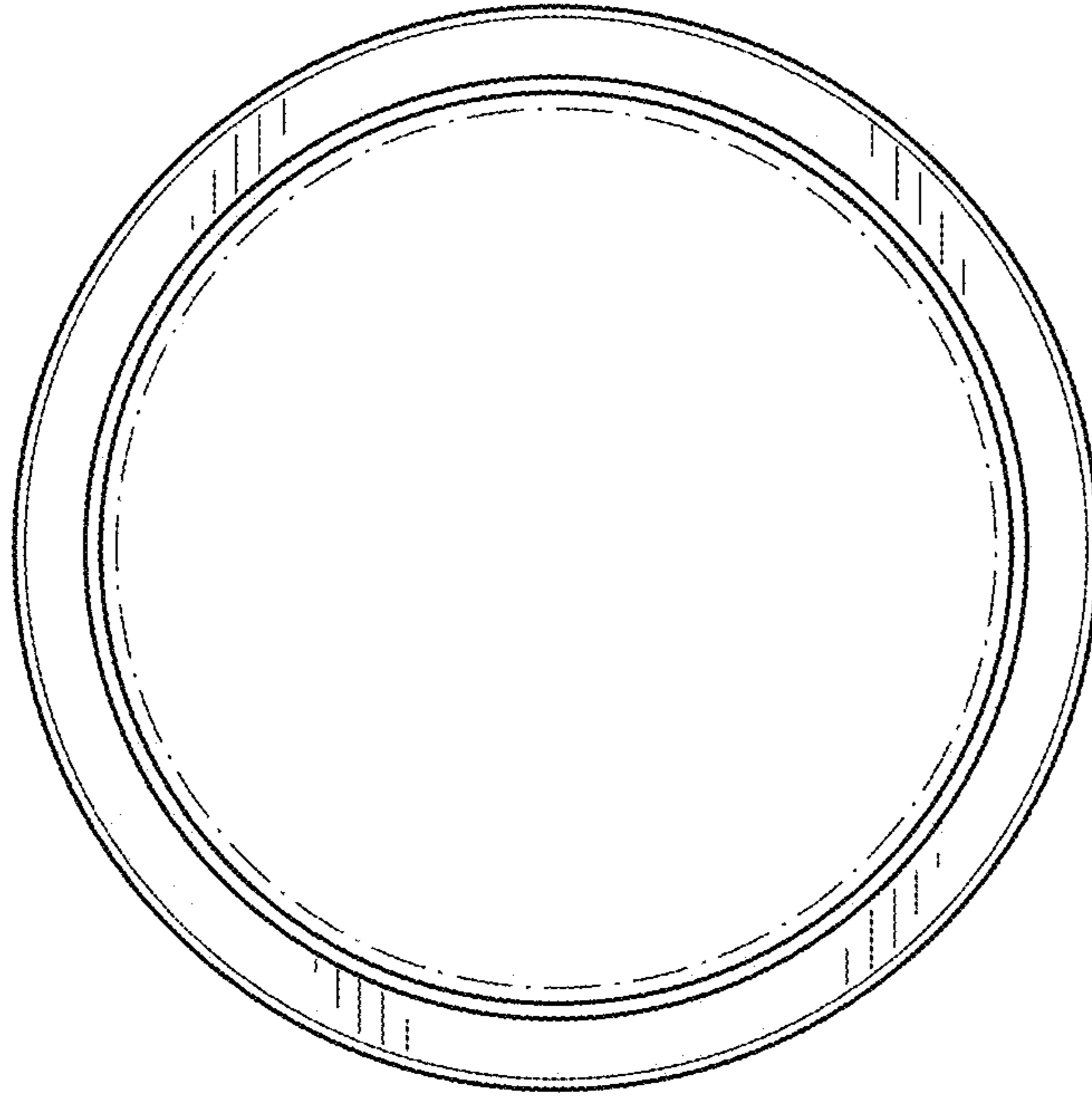


FIG. 4

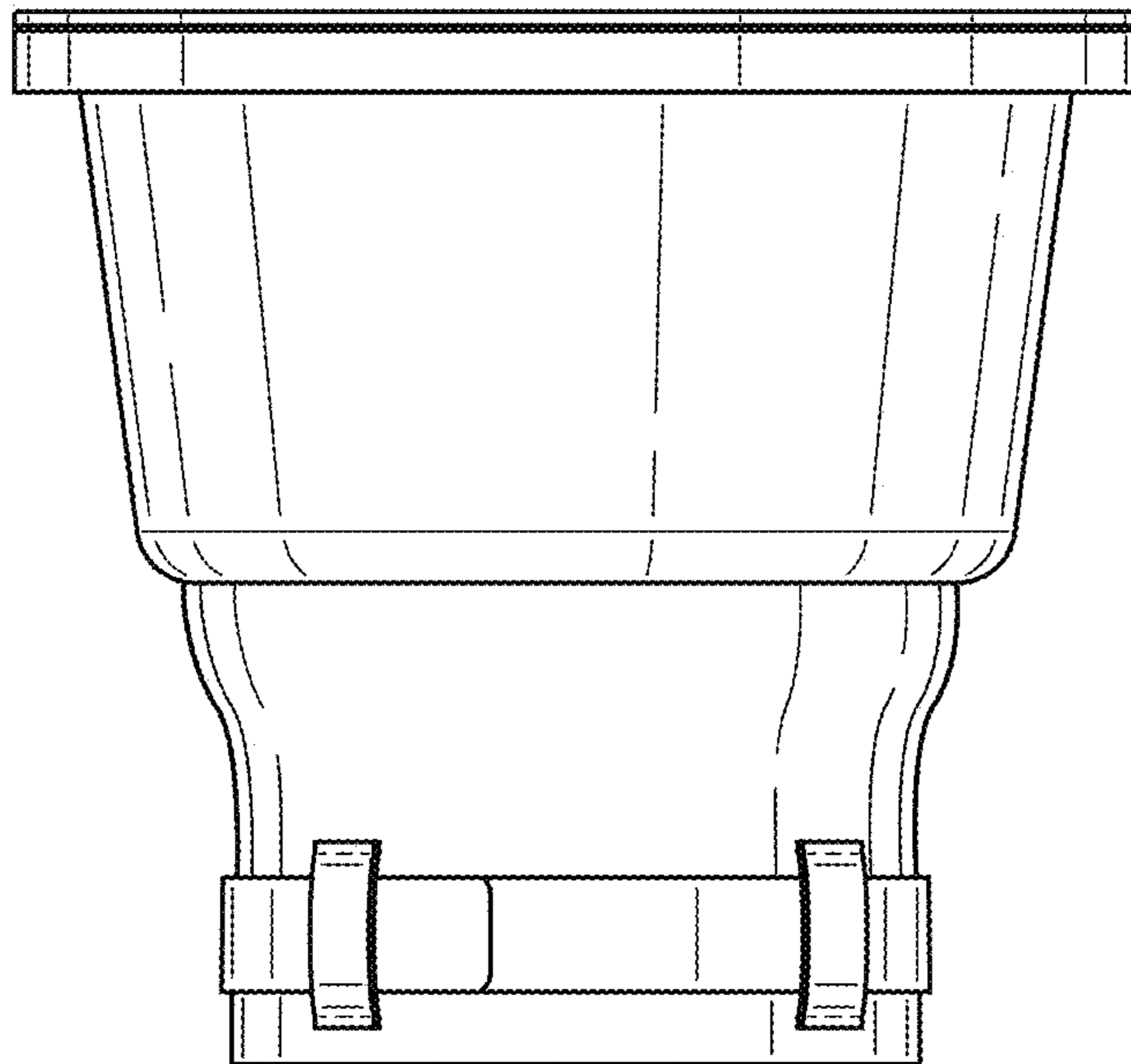


FIG. 3

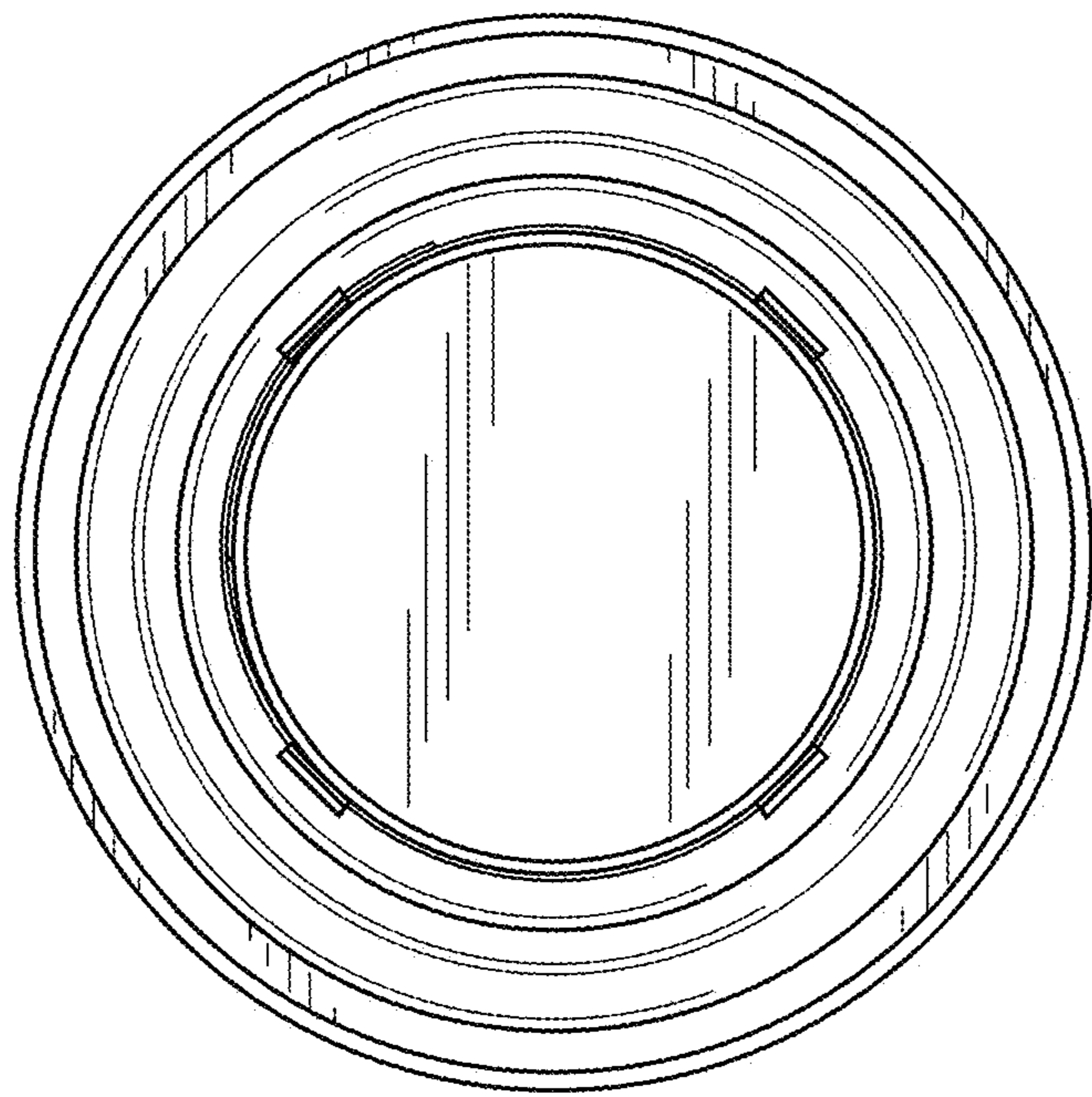


FIG. 6

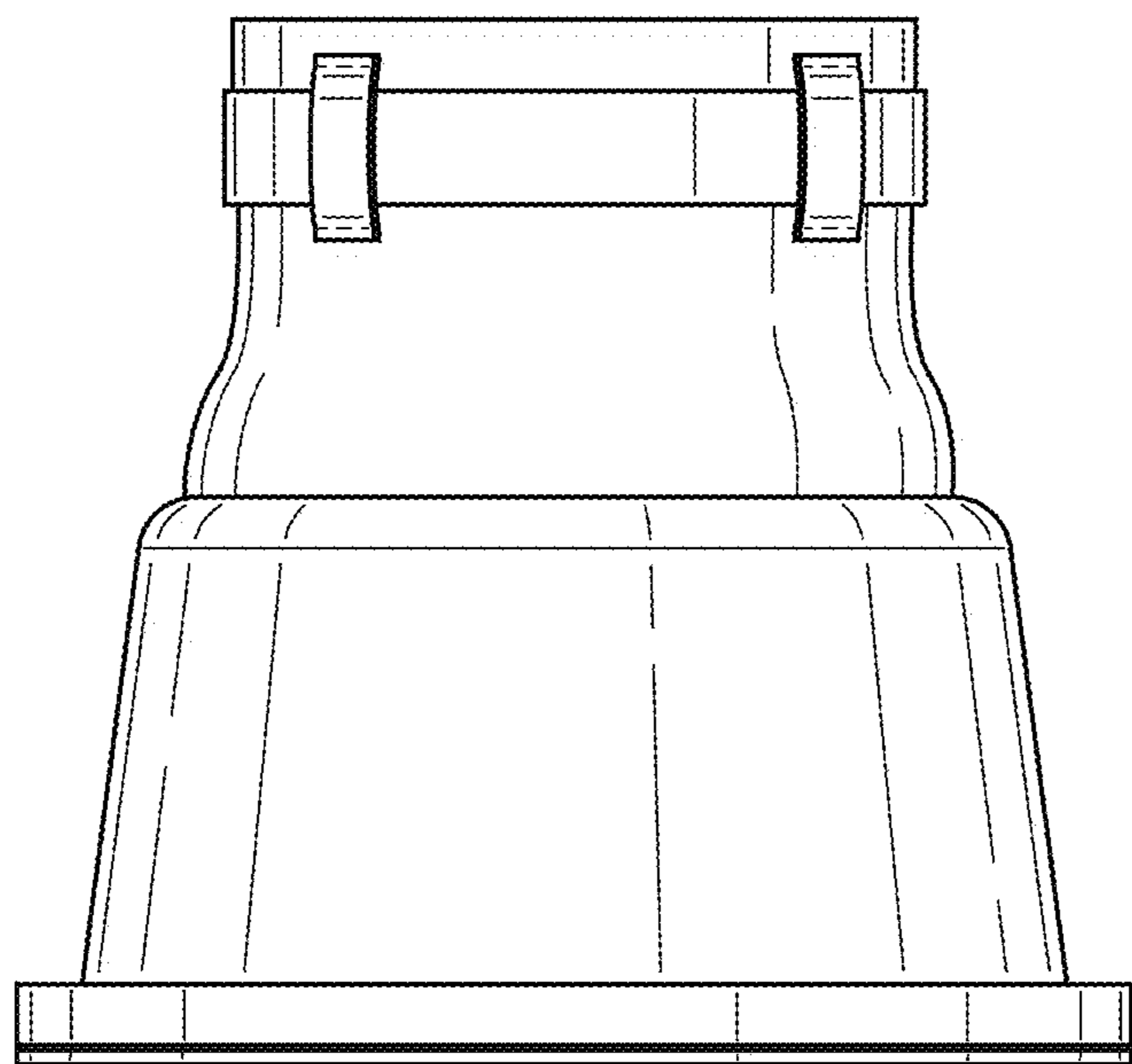


FIG. 5

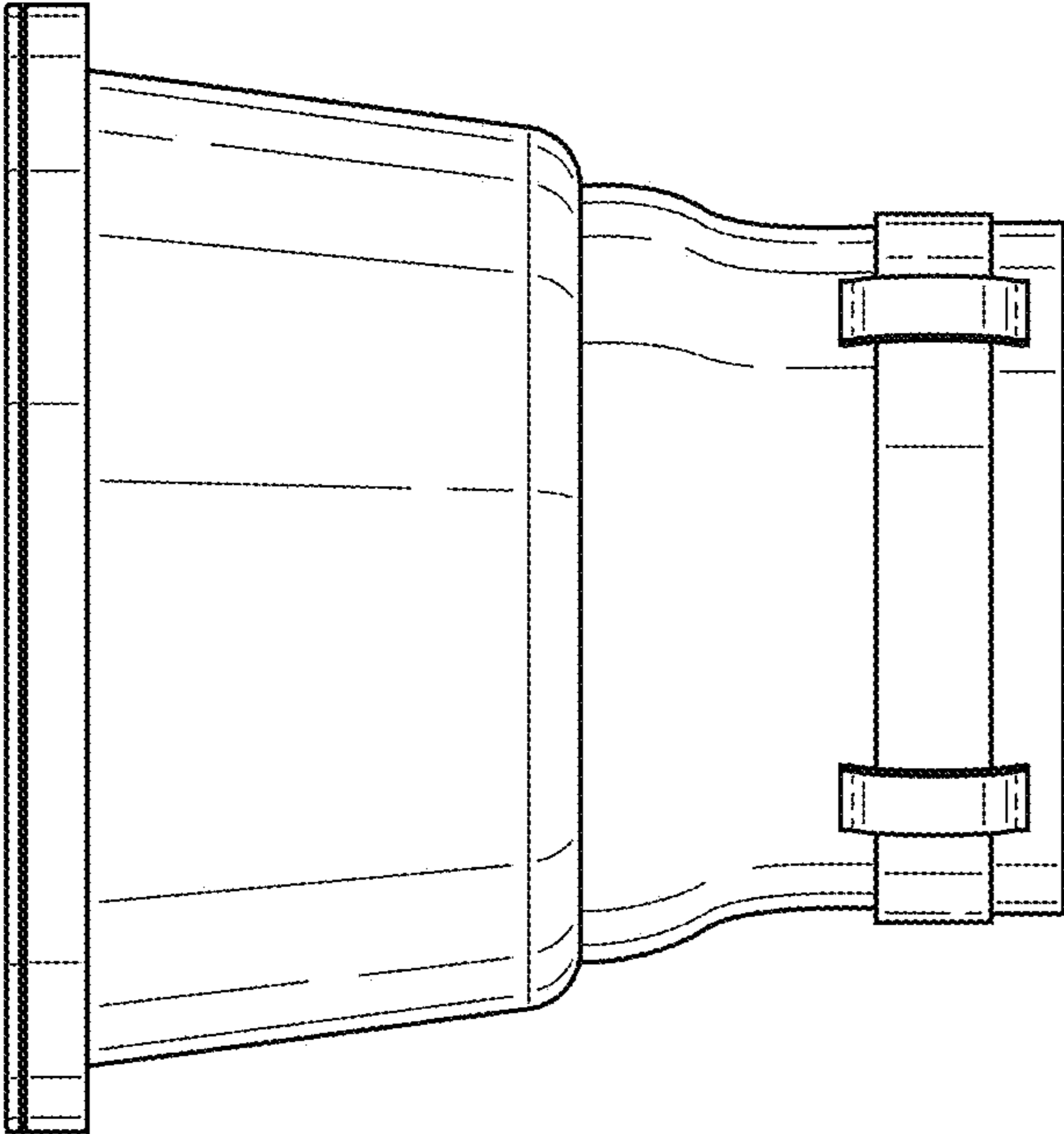


FIG. 8

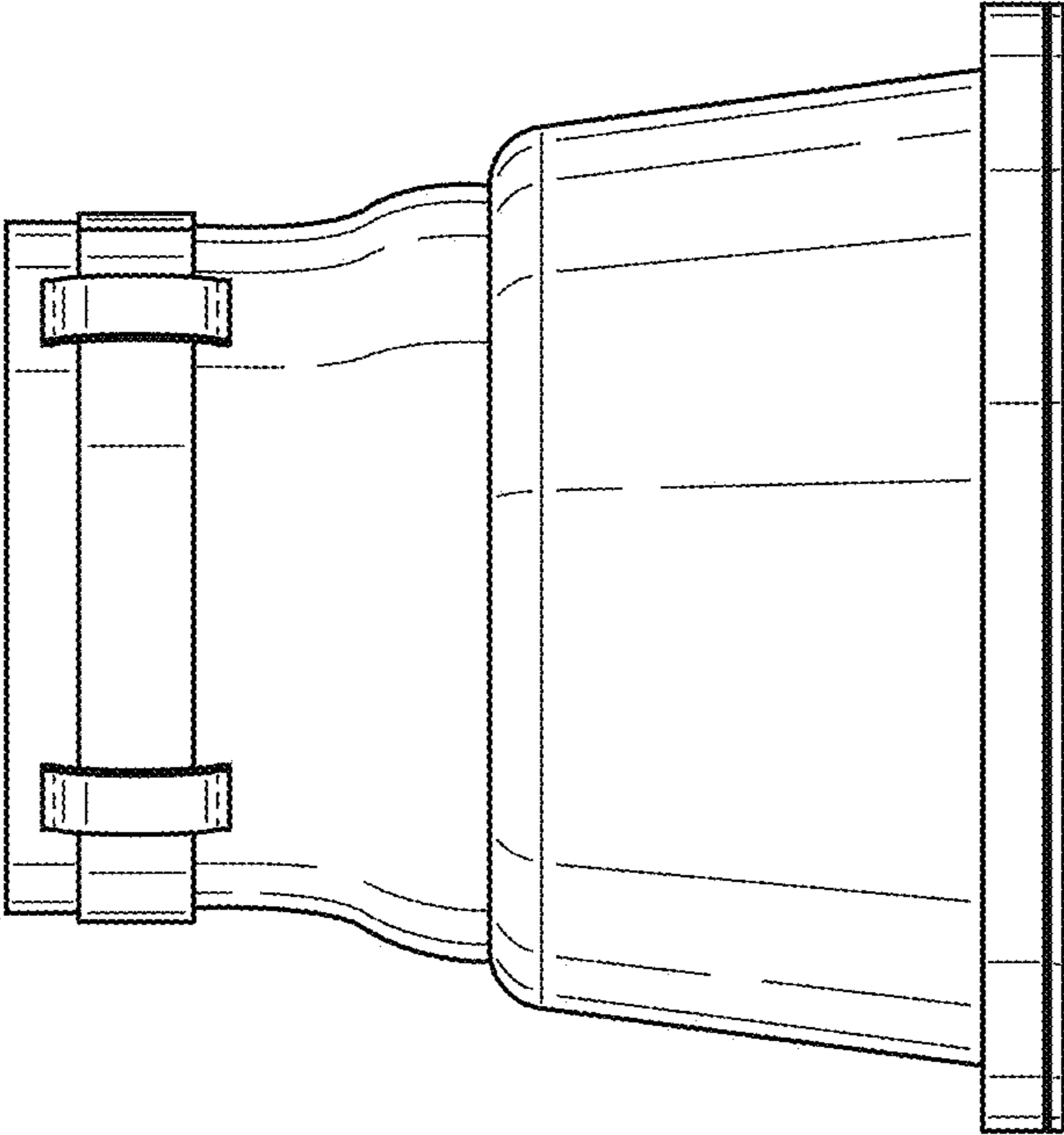


FIG. 7