



US00D940404S

(12) **United States Design Patent** (10) **Patent No.:** **US D940,404 S**
Dong (45) **Date of Patent:** **** Jan. 4, 2022**

(54) **AUTOMATIC FEEDER**

(71) Applicant: **Fuliang Dong**, Shenzhen (CN)

(72) Inventor: **Fuliang Dong**, Shenzhen (CN)

(**) Term: **15 Years**

(21) Appl. No.: **29/745,092**

(22) Filed: **Aug. 3, 2020**

(51) **LOC (13) Cl.** **30-07**

(52) **U.S. Cl.**
USPC **D30/122**

(58) **Field of Classification Search**

USPC D30/121, 122, 129-133, 120; 119/61.5, 119/51.01, 61.56, 51.03, 59, 62, 63, 51.5, 119/57.8, 74, 61.54, 61.55, 53, 53.5, 75, 119/56.2, 51.02, 51.11, 51.12, 57.1, 52.1, 119/515; 312/204; 248/151, 188; 108/156, 153.1-157; 220/23.87, 630, 220/737, 743, 9.4, 495.01, 574, 212, 255, 220/23.83; 206/515; D7/586, 543, D7/550.1, 587, 505, 584, 545, 500, D7/553.1-553.8, 546, 555, 556, 504, 565, D7/562, 602, 605, 312, 313, 320, 307, D7/306, 309, 354, 311, 399, 397, 323, D7/332, 331, 347, 346, 322, 318, 317, D7/316, 619.1; D9/429; 43/109; D22/122; 99/430, DIG. 15, 280, 285, 99/312; 222/209, 131, 363, 349, 517, 222/153.13, 401, 1, 146.5, 23, 54, 64, 51, 222/156, 399, 400.8; 219/438, 439, 441, 219/385, 386, 402, 407; 210/94, 184, 210/474, 477
CPC A01K 5/02; A01K 5/0225; A01K 5/0114; A01K 5/025; A01K 5/0266; A01K 5/0275; A01K 5/0283; A01K 5/0291; A01K 5/0258; A01K 5/0142; A01K 5/0233; A01K 29/00; A01K 7/00; G01F 11/24; G01F 23/02; B67D 1/0425; B67D 1/04; B67D 1/00; B67D 1/02; B67D 1/0871; B67D 1/0802; A47J 41/0033;

A47J 41/005; A47J 41/0088; A47J 41/0094; A47J 31/04; A47J 31/053; B05B 11/00; B05B 11/0002; B05B 11/0005; B05B 11/001; C02F 1/003; C02F 1/283; C02F 2307/02

See application file for complete search history.

(56) **References Cited**

U.S. PATENT DOCUMENTS

4,735,171 A * 4/1988 Essex A01K 5/0291 119/51.12
D405,560 S * 2/1999 Chrisco D30/122
6,863,025 B2 * 3/2005 Ness A01K 7/02 119/51.5
8,701,595 B2 * 4/2014 Jin A01K 5/0291 119/51.11
9,198,398 B2 * 12/2015 Rogers A01K 7/06
D759,905 S * 6/2016 Stewart D30/122
D806,958 S * 1/2018 Maloney D30/122
D836,850 S * 12/2018 Li D30/122

(Continued)

Primary Examiner — Susan Moon Lee

(74) *Attorney, Agent, or Firm* — W&KIP

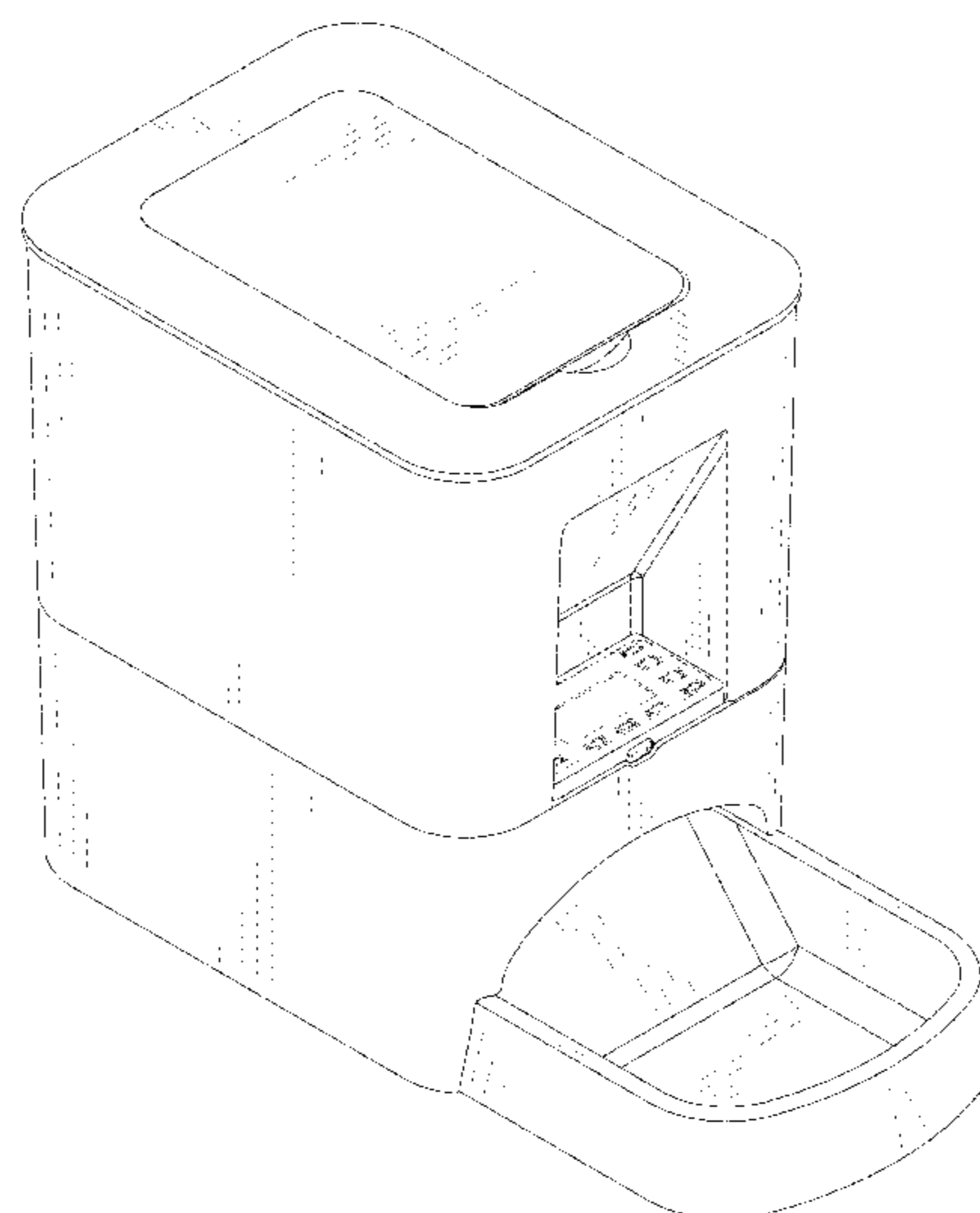
(57) **CLAIM**

The ornamental design for an automatic feeder, as shown and described.

DESCRIPTION

FIG. 1 is a perspective view of an automatic feeder; FIG. 2 is another perspective view thereof; FIG. 3 is a front view thereof; FIG. 4 is a back view thereof; FIG. 5 is a left side view thereof; FIG. 6 is a right side view thereof; FIG. 7 is a top plan view thereof; and, FIG. 8 is a bottom plan view thereof. The portions of the article shown in broken lines form no part of the claimed design.

1 Claim, 8 Drawing Sheets



(56)

References Cited

U.S. PATENT DOCUMENTS

D843,665	S *	3/2019	Zeng	D30/122
D844,258	S *	3/2019	Xu	D30/122
D876,022	S *	2/2020	Hua	D30/122
D885,685	S *	5/2020	Chen	D30/122
D885,686	S *	5/2020	Chen	D30/122
D891,004	S *	7/2020	Park	D30/122
D893,109	S *	8/2020	Zeng	D30/122
D897,609	S *	9/2020	Loiseau	D30/122
D920,592	S *	5/2021	Tang	D30/122
11,006,614	B2 *	5/2021	Chen	A01K 29/005
2013/0213308	A1 *	8/2013	Koskey, Jr.	A01K 7/027
				119/74
2013/0298839	A1 *	11/2013	Richards	C02F 1/003
				119/75
2015/0143750	A1 *	5/2015	Jalbert	A01K 5/0291
				49/25
2019/0029222	A1 *	1/2019	Anderton	A01K 5/0233
2019/0059322	A1 *	2/2019	Xu	A01K 5/0225
2020/0100460	A1 *	4/2020	Chen	A01K 29/005

* cited by examiner

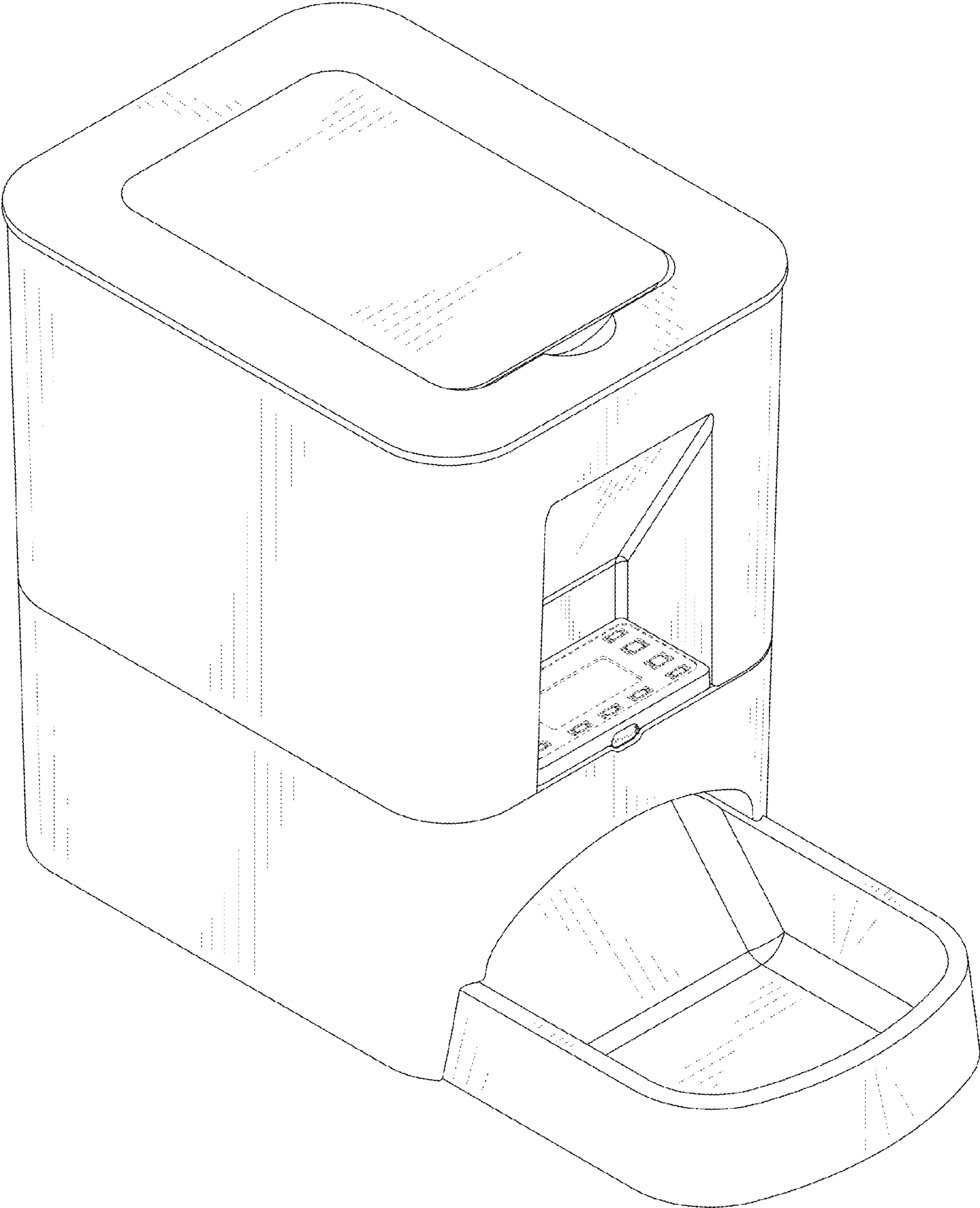


FIG.1

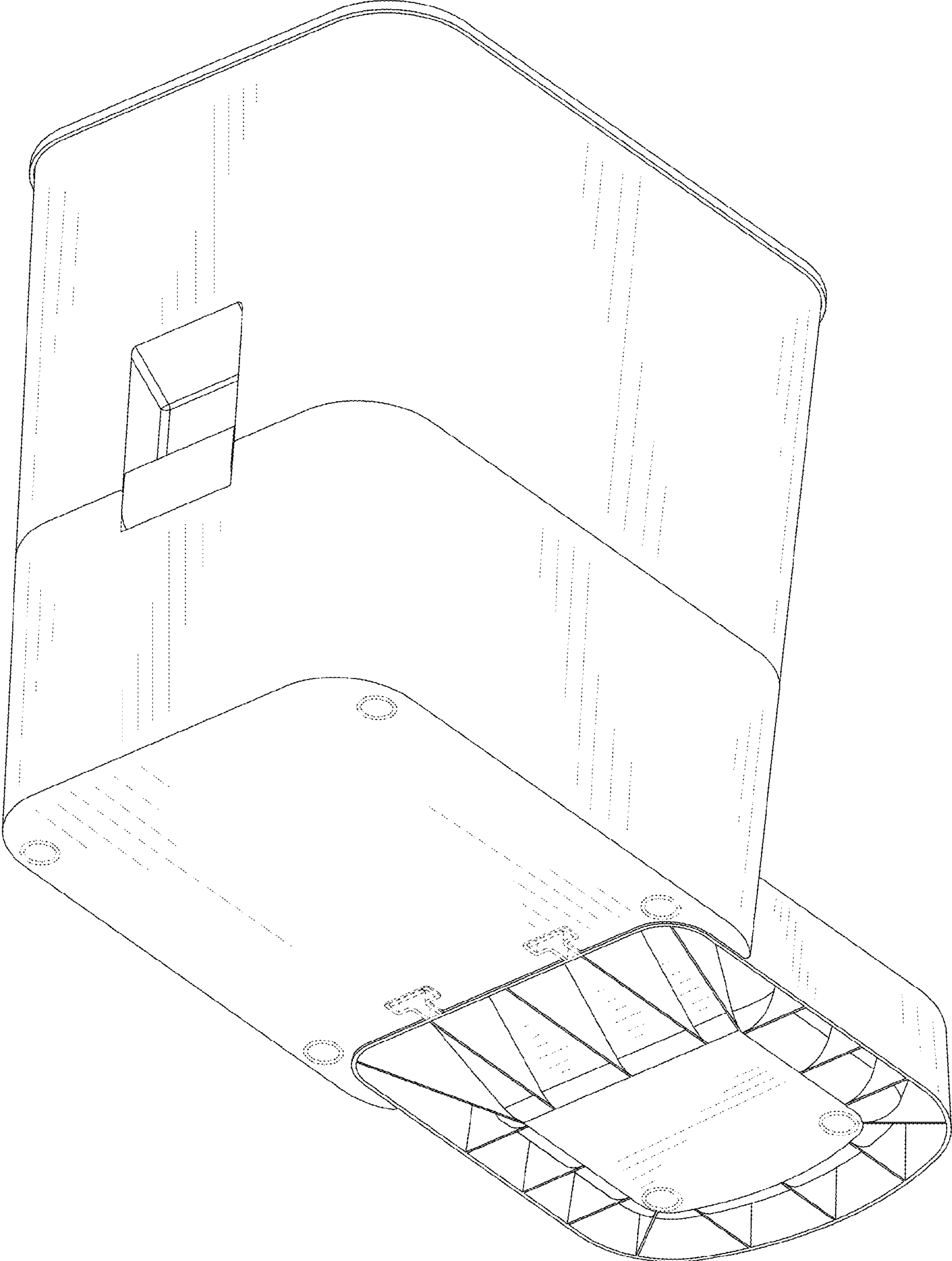


FIG. 2

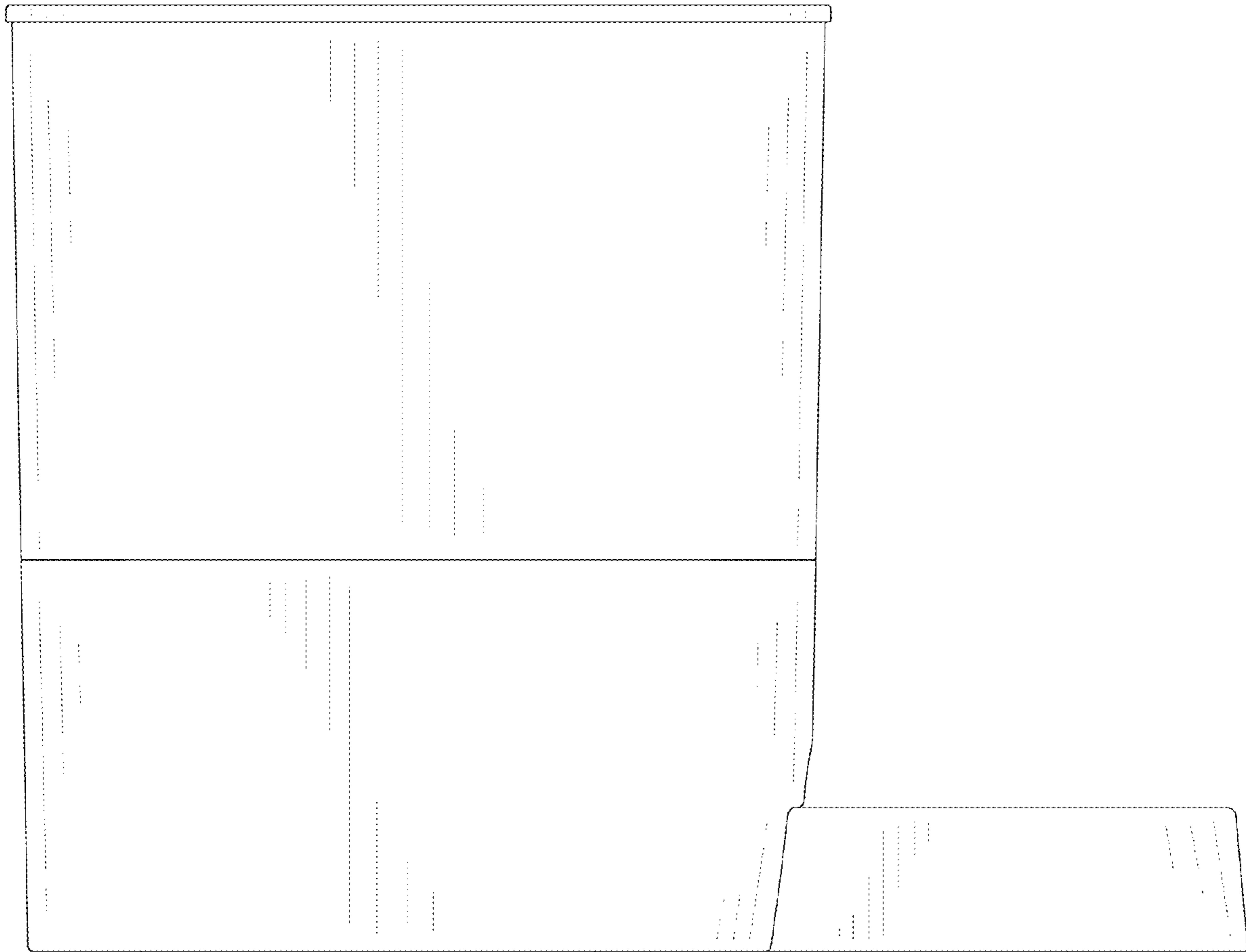


FIG.3

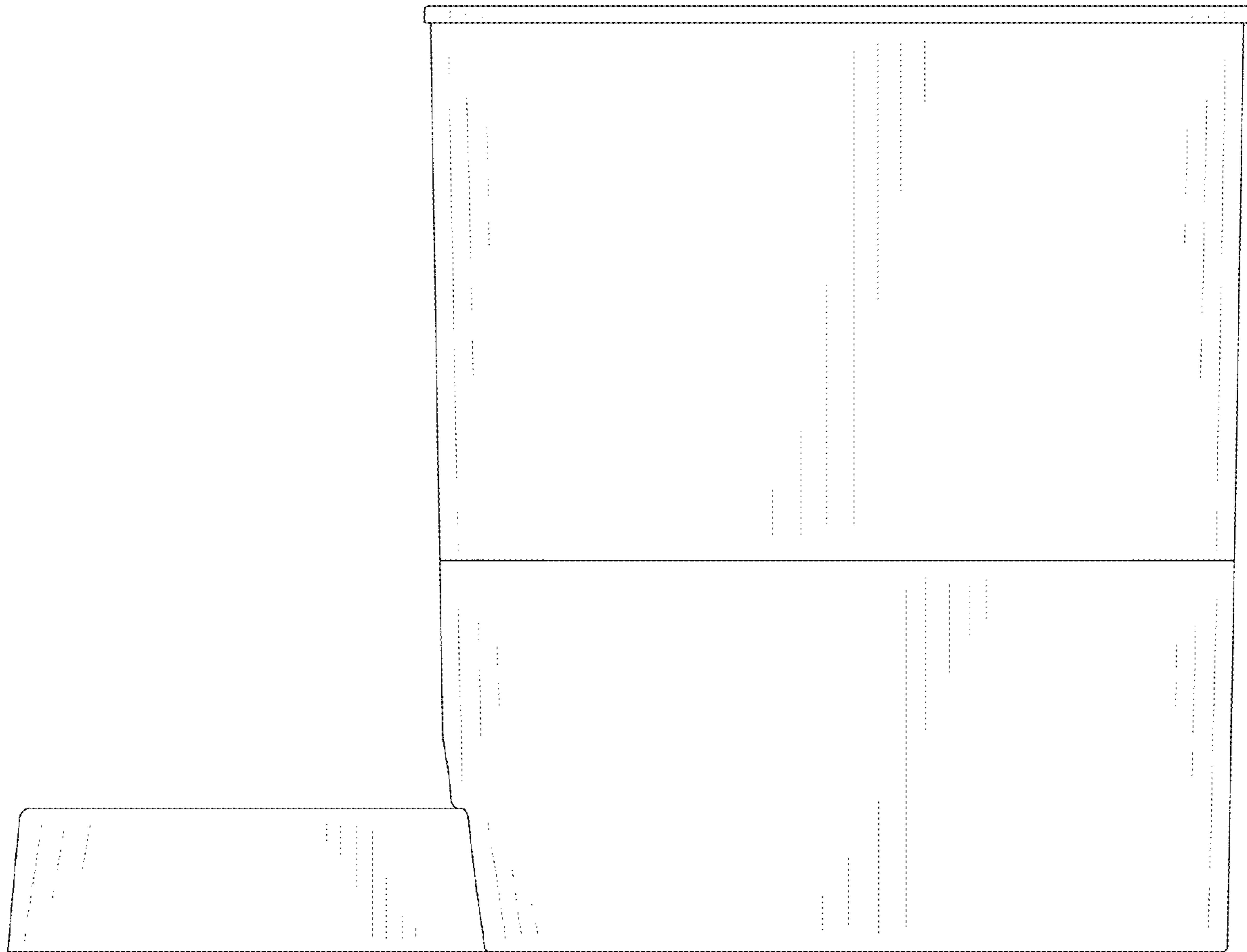


FIG.4

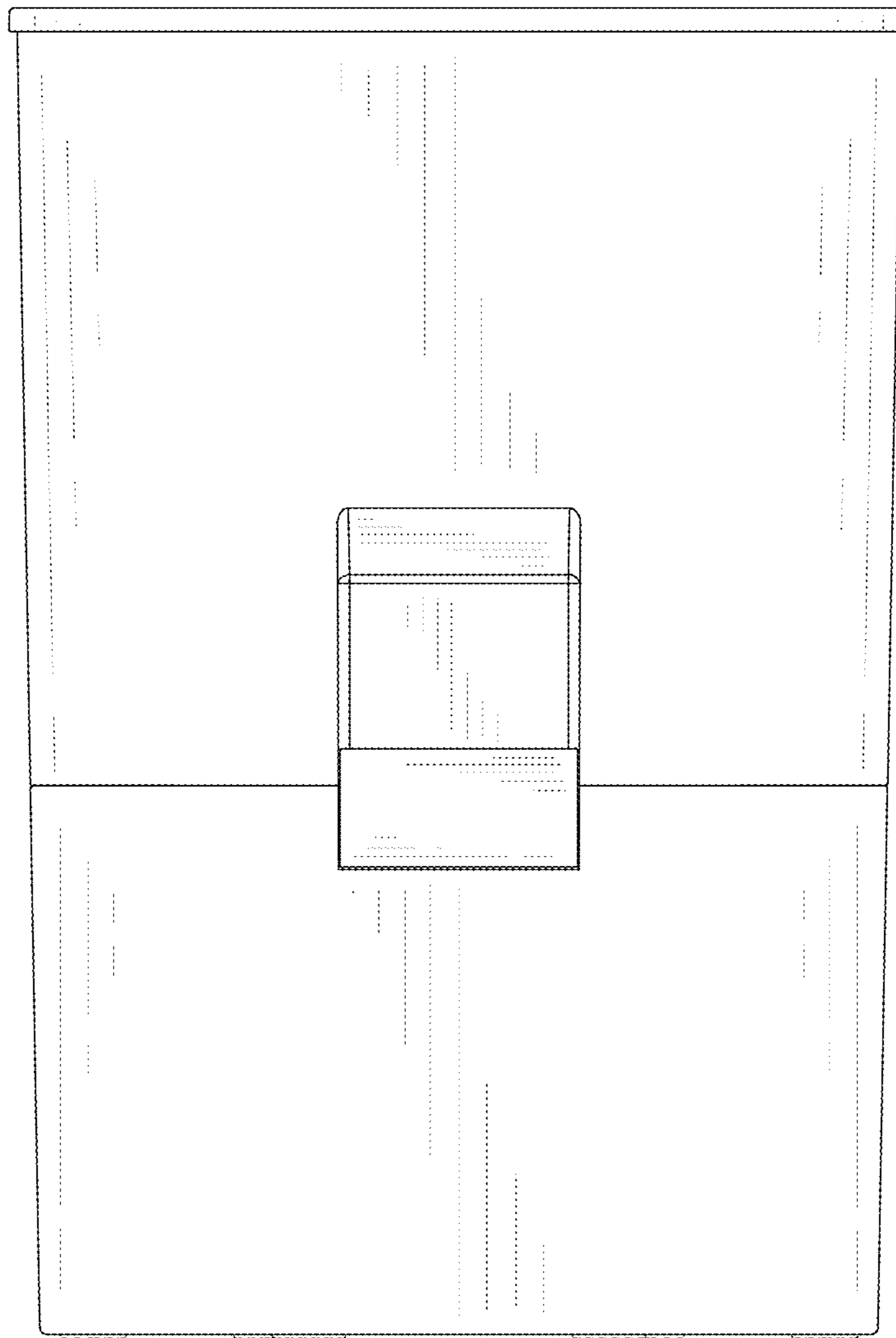


FIG. 5

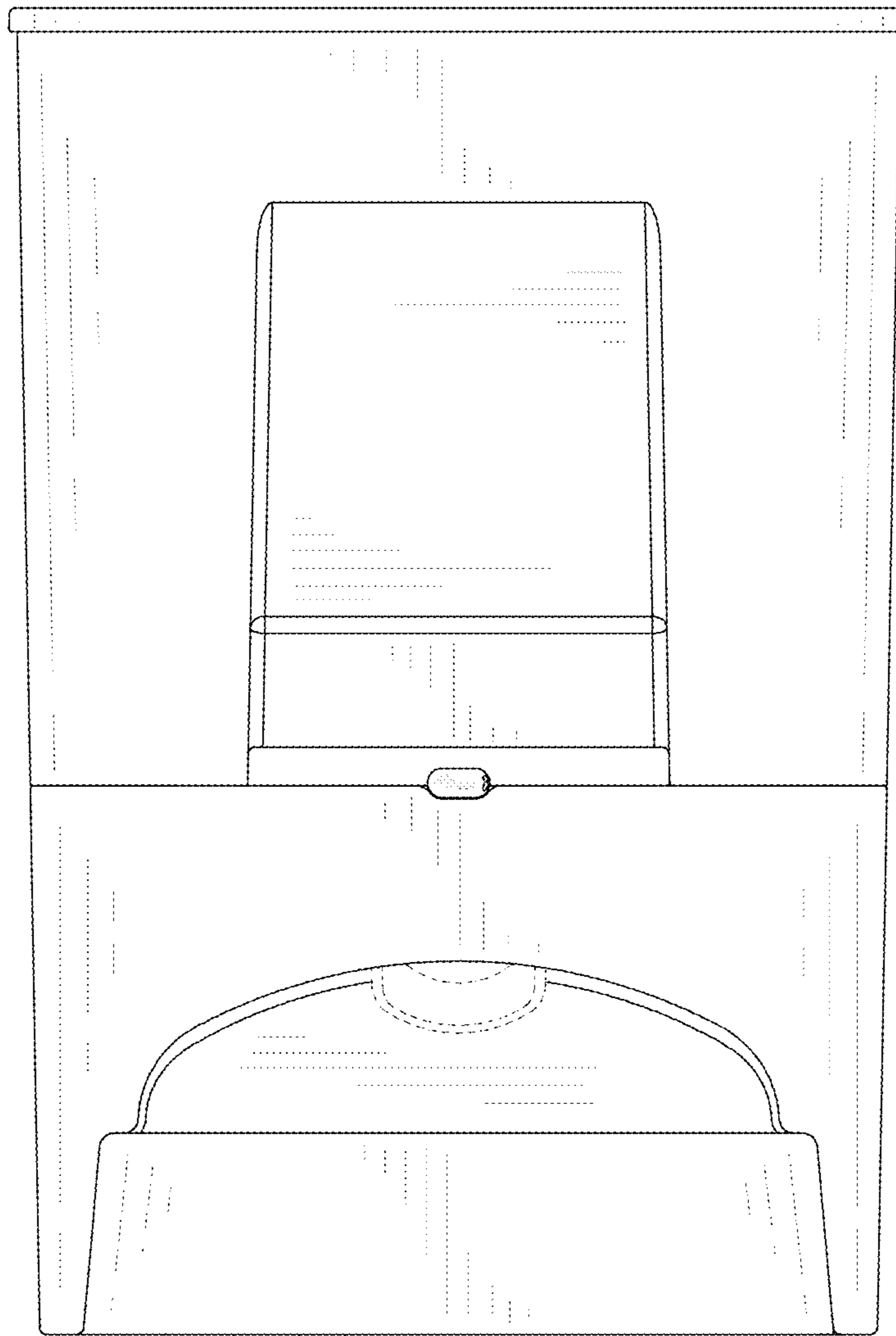


FIG. 6

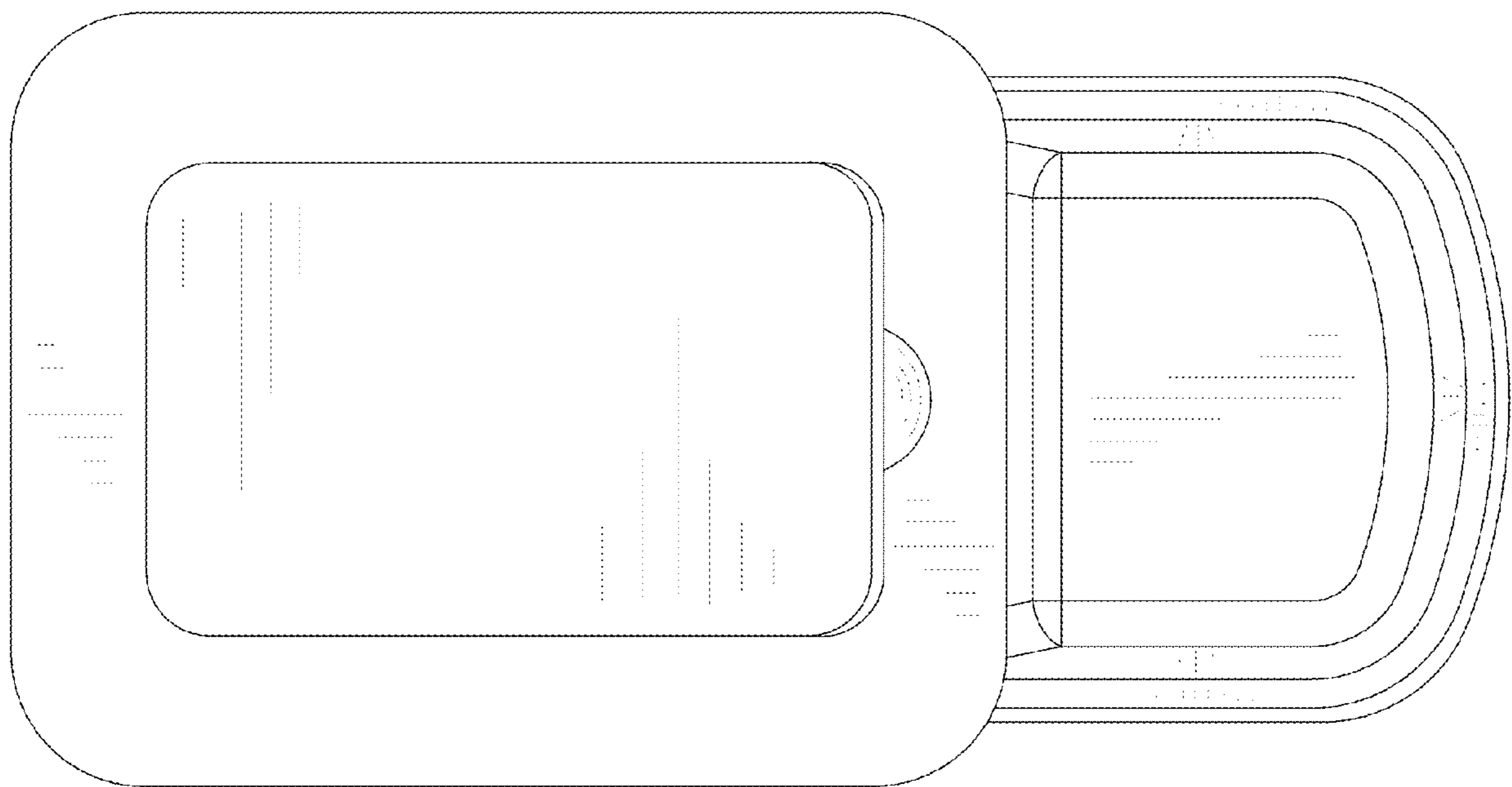


FIG. 7

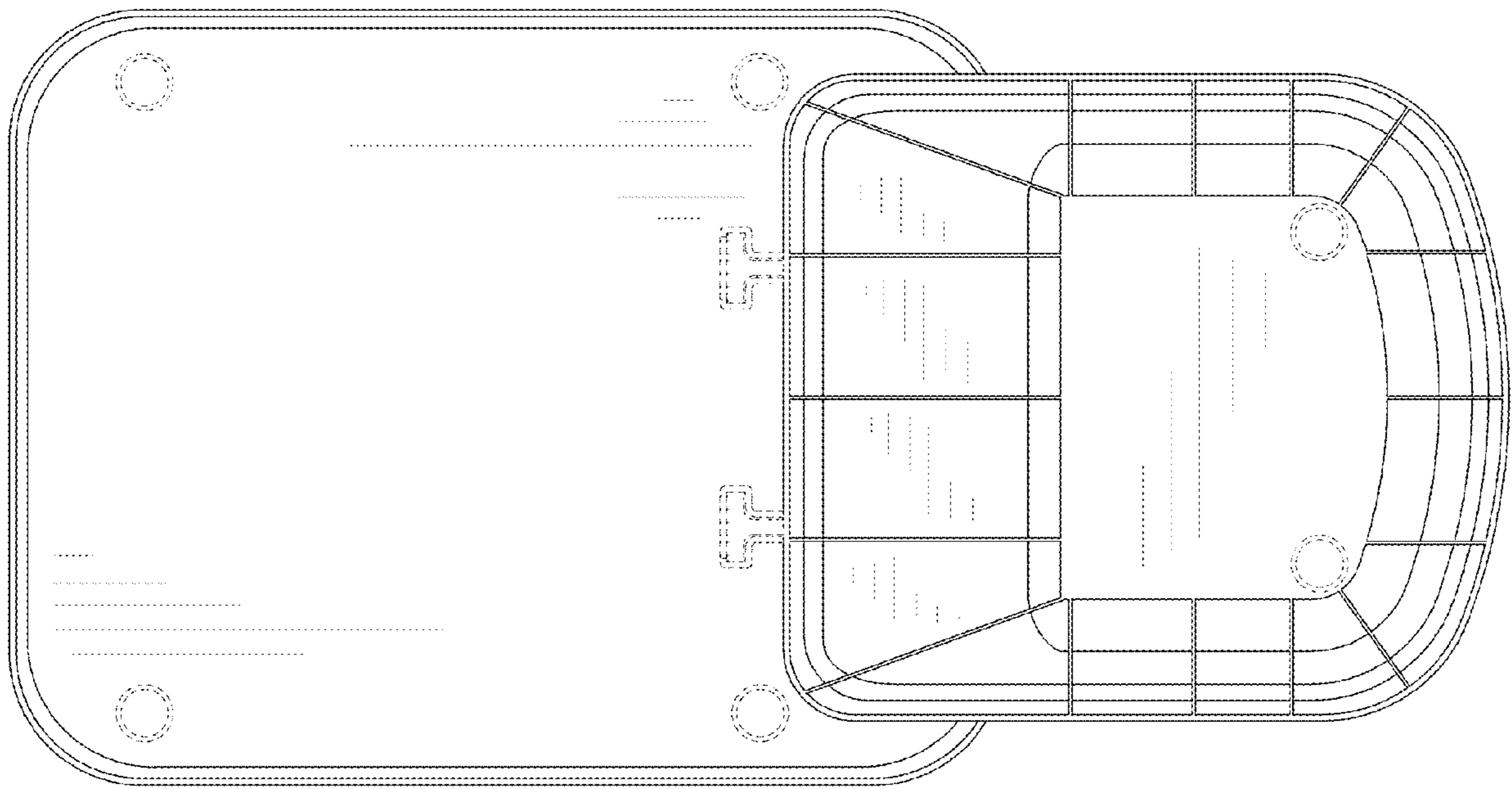


FIG.8