



US00D940403S

(12) **United States Design Patent**  
**Chen**

(10) **Patent No.:** **US D940,403 S**

(45) **Date of Patent:** **\*\* Jan. 4, 2022**

(54) **AUTOMATIC FISH FEEDER**

(71) Applicant: **Guangzhou Chiye Intelligent Technology Co., LTD.**, Guangzhou (CN)

(72) Inventor: **Jilin Chen**, Guangzhou (CN)

(\*\*) Term: **15 Years**

(21) Appl. No.: **29/773,897**

(22) Filed: **Mar. 12, 2021**

(51) **LOC (13) Cl.** ..... **30-03**

(52) **U.S. Cl.**  
USPC ..... **D30/121; D30/106**

(58) **Field of Classification Search**  
USPC ..... D30/106, 121, 131, 133, 108, 109, 199; 119/51.04, 6.7, 256, 702, 60, 65, 51.01, 119/61.1, 58, 59, 66, 67, 51.5, 68, 69; 220/4.22, 480; 229/120, 120.1; D7/409, D7/601; 211/181.1; 414/24.5; D3/205, D3/301, 276, 290, 291, 900, 901; 190/18 A, 100, 109, 107, 127, 900, 115; D22/121

CPC ..... A01K 61/85; A01K 61/80; Y02A 40/81  
See application file for complete search history.

(56) **References Cited**

**U.S. PATENT DOCUMENTS**

- D287,170 S \* 12/1986 Goldman ..... D30/122
- D312,149 S 11/1990 Keil
- D383,251 S 9/1997 Zimmerman
- 5,799,608 A \* 9/1998 Beck ..... A01K 61/85  
119/51.04
- D423,728 S \* 4/2000 Brainard ..... D30/106
- D487,535 S \* 3/2004 Wang ..... D30/122
- D755,448 S 5/2016 McIntyre
- D787,751 S 5/2017 Bosco
- D814,123 S 3/2018 Chang
- D823,456 S \* 7/2018 Lacy ..... D24/111
- D835,357 S 12/2018 McIntyre

- D846,816 S 4/2019 Tsengas
- D852,430 S 6/2019 Roger
- D891,004 S 7/2020 Park
- D907,303 S \* 1/2021 Wei ..... D30/102
- D912,909 S 3/2021 Wu
- D935,107 S \* 11/2021 Chen ..... D30/106
- 2004/0237900 A1 \* 12/2004 Berry ..... A01K 61/85  
119/51.04
- 2006/0207511 A1 \* 9/2006 Deng ..... A01K 61/85  
119/51.04

(Continued)

**OTHER PUBLICATIONS**

Proche Automatic Intelligent Fish Feeder, [https://www.amazon.com/Automatic-PROCHE-Adjustable-Dispenser-Batteries/dp/B0752G6TF4/ref=asc\\_df\\_B0752G6TF4/](https://www.amazon.com/Automatic-PROCHE-Adjustable-Dispenser-Batteries/dp/B0752G6TF4/ref=asc_df_B0752G6TF4/), Aug. 2017 (Year: 2017).\*

(Continued)

*Primary Examiner* — Susan Moon Lee  
(74) *Attorney, Agent, or Firm* — Rumit Ranjit Kanakia

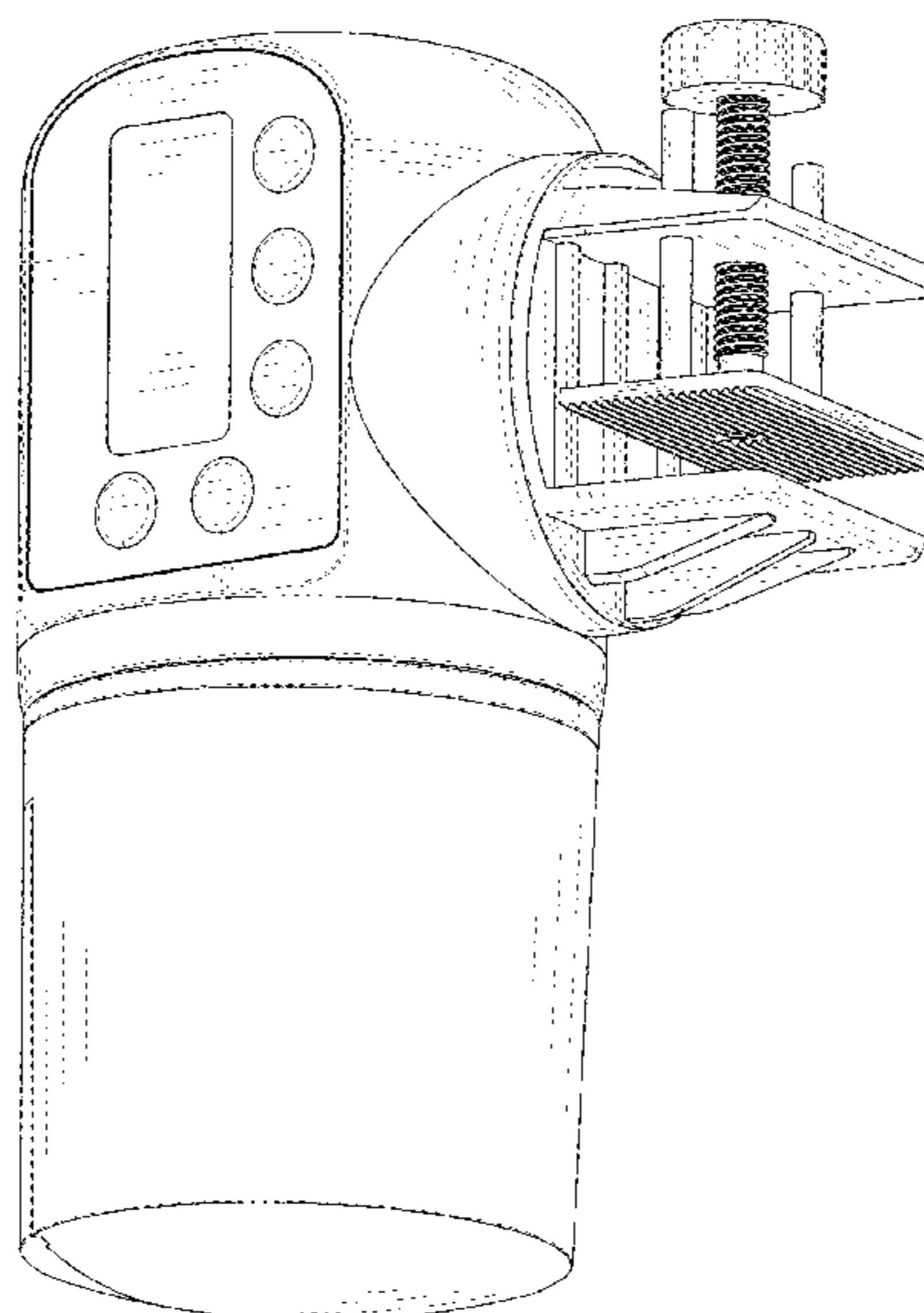
(57) **CLAIM**

The ornamental design for an automatic fish feeder, as shown and described.

**DESCRIPTION**

FIG. 1 is a front view of an automatic fish feeder showing my new design;  
FIG. 2 is a rear view thereof;  
FIG. 3 is a left side view thereof;  
FIG. 4 is a right side view thereof;  
FIG. 5 is a top view thereof;  
FIG. 6 is a bottom view thereof;  
FIG. 7 is a perspective view of an automatic fish feeder showing my new design; and,  
FIG. 8 is another perspective view thereof.  
The broken lines in the figures are for the purposes of illustrating portions of the automatic fish feeder, which form no part of the claimed design.

**1 Claim, 8 Drawing Sheets**



(56)

**References Cited**

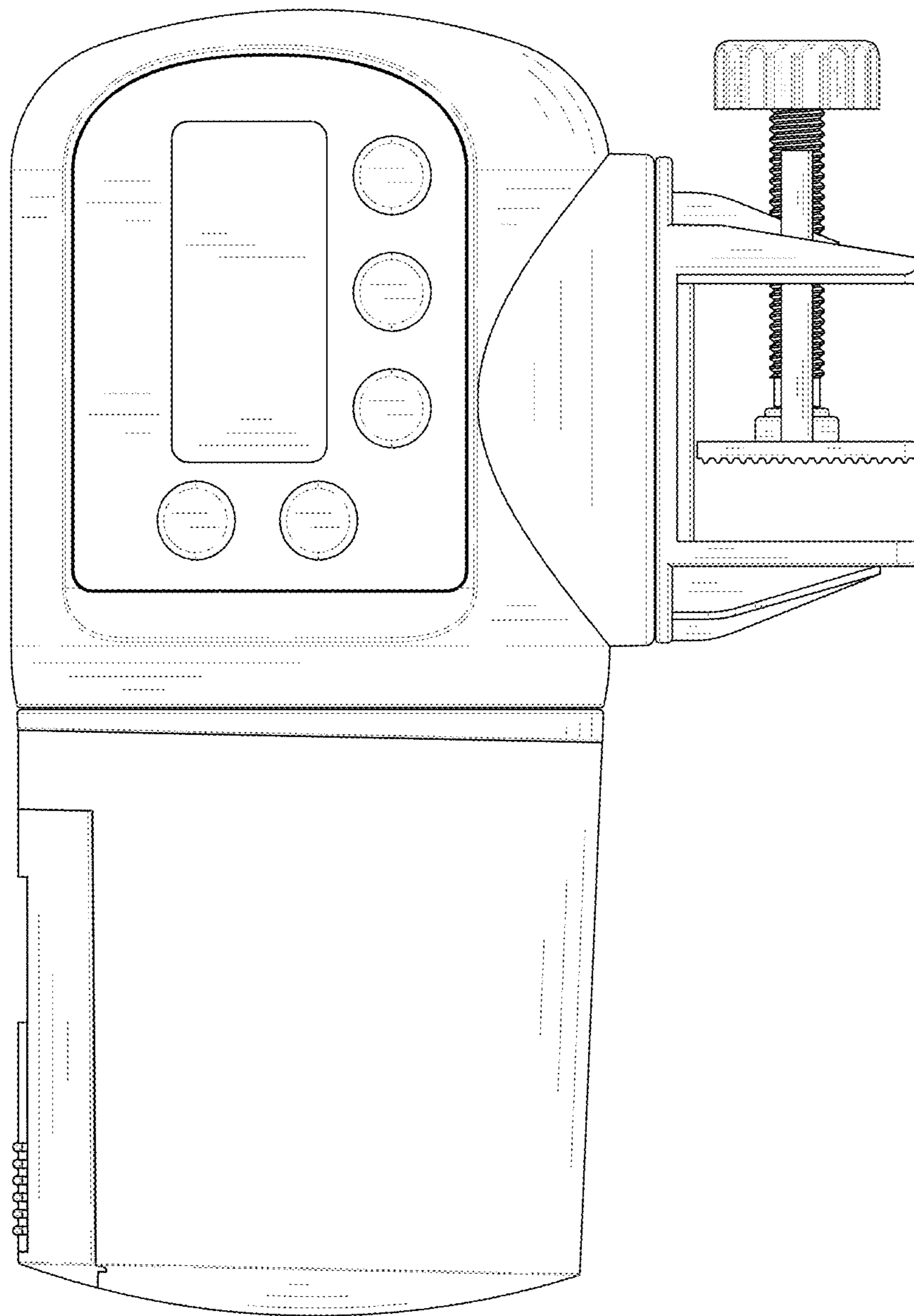
U.S. PATENT DOCUMENTS

2012/0227670 A1\* 9/2012 Hudson ..... A01K 61/85  
119/51.04  
2015/0027378 A1\* 1/2015 Lutz ..... A01K 61/85  
119/57.92  
2016/0219842 A1\* 8/2016 Yim ..... A01K 61/80  
2019/0110448 A1\* 4/2019 Wallmeier ..... A01K 5/02

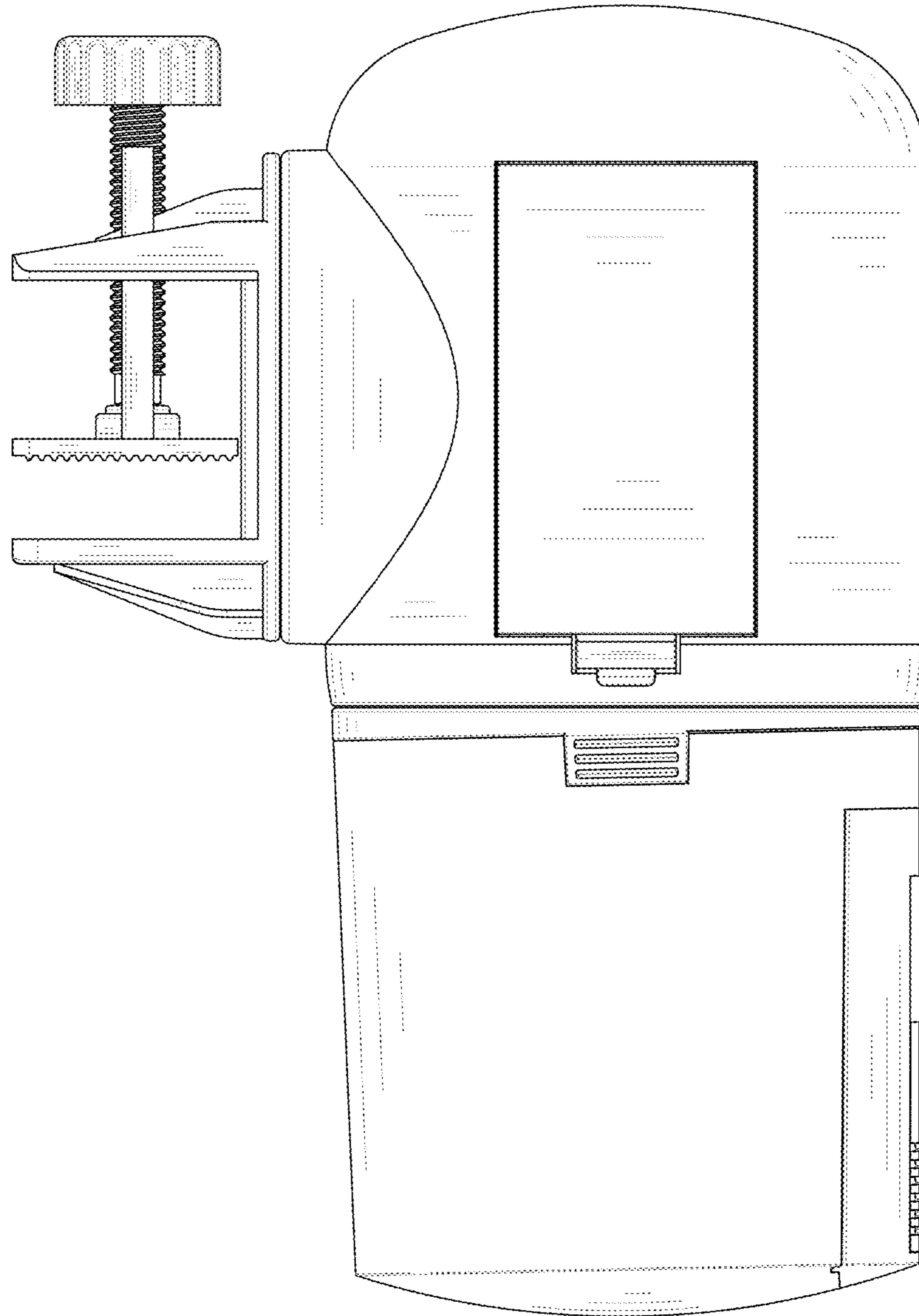
OTHER PUBLICATIONS

Beraes Automatic Aquarium Fish Feeder, <https://www.walmart.com/ip/Automatic-Aquarium-Fish-Feeder-Automatic-Moisture-Proof-Electric-Feeder-Aquarium-Feeder-Vacation-and-Weekend-Food-Dispenser/498720483> May 2019 (Year: 2019).\*

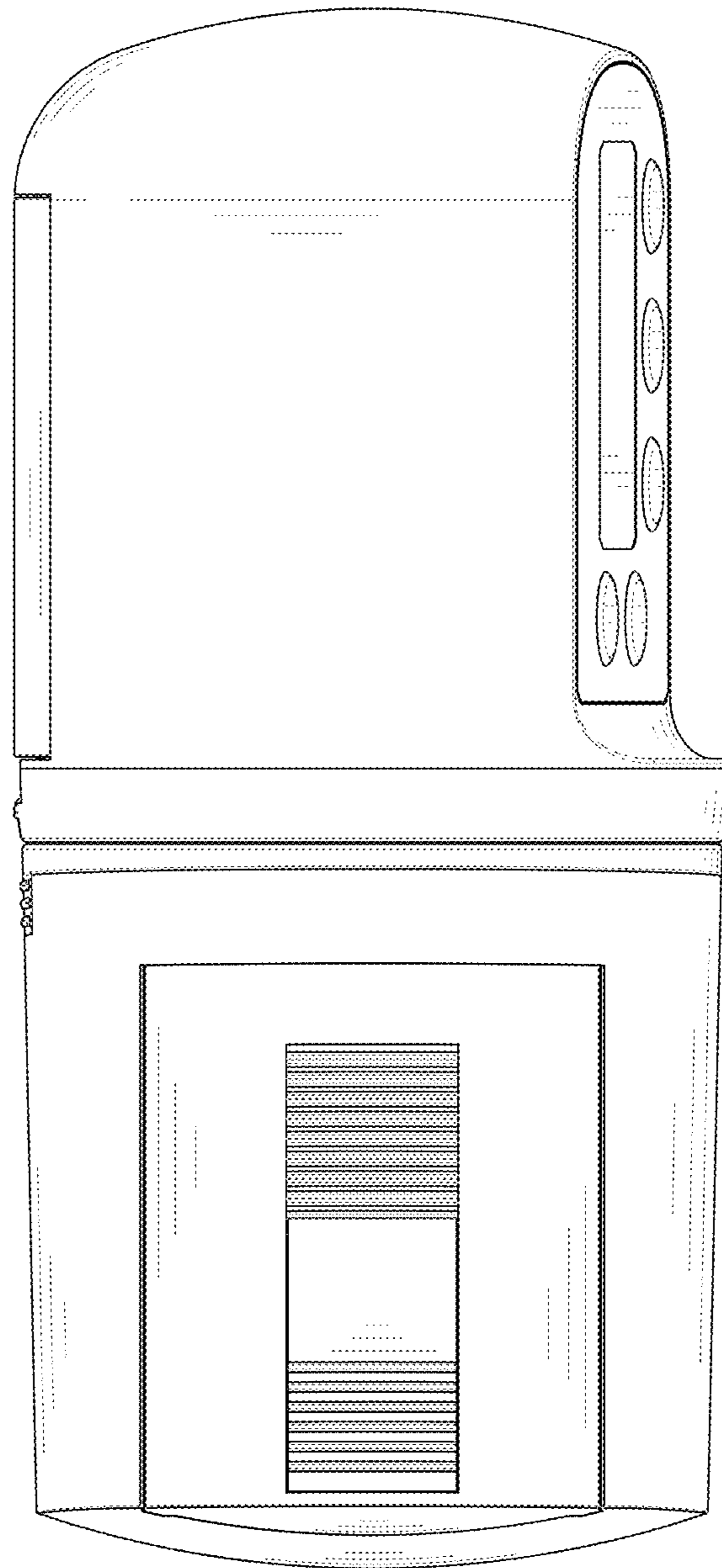
\* cited by examiner



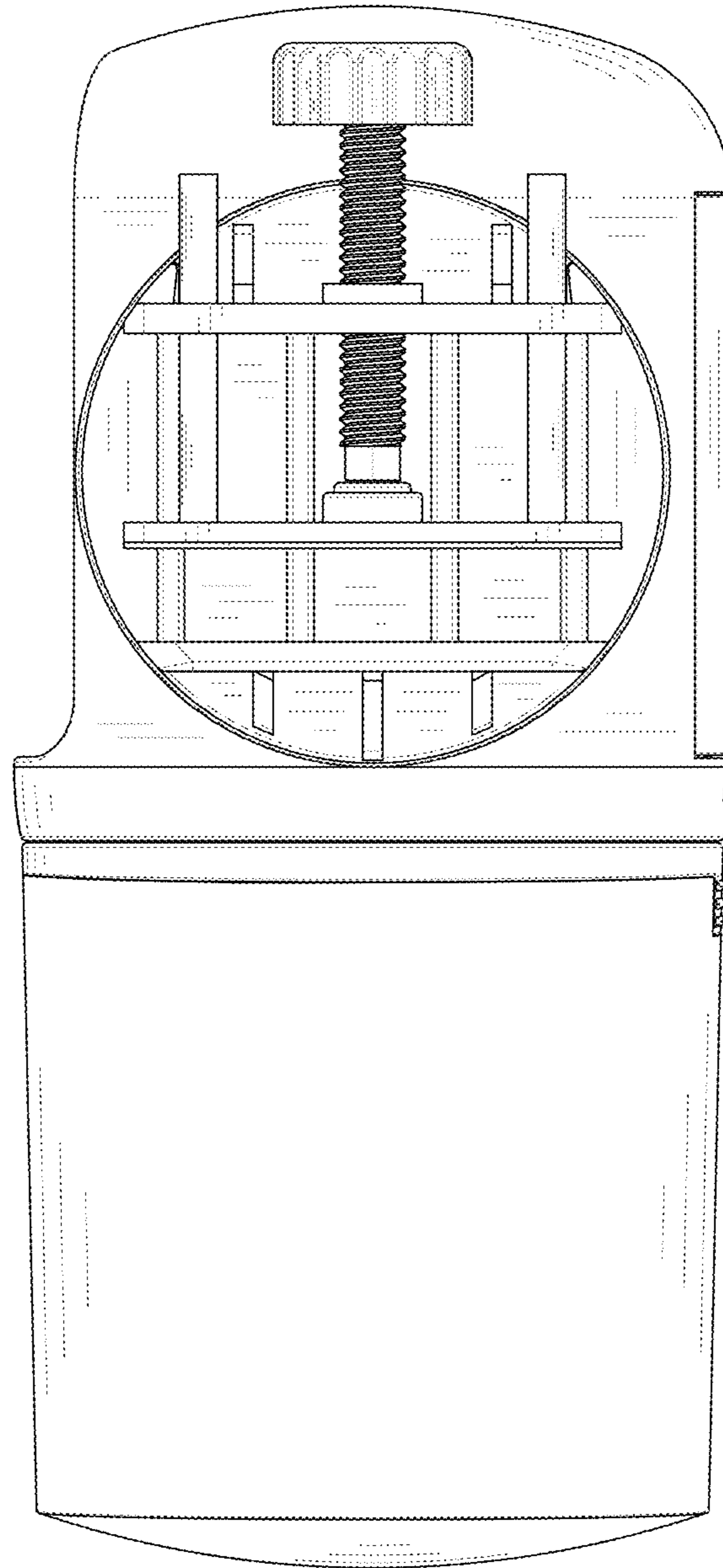
**FIG. 1**



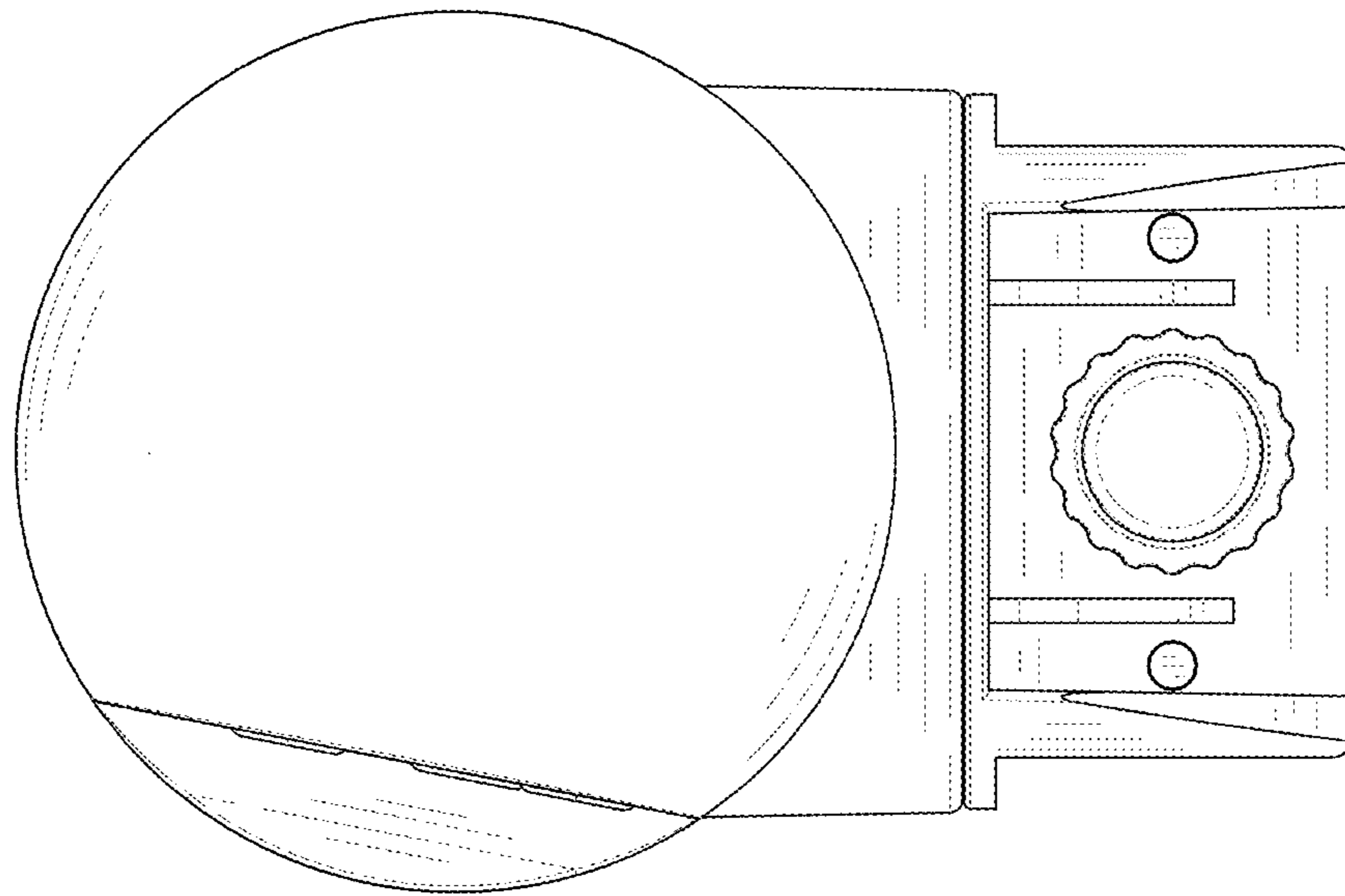
**FIG. 2**



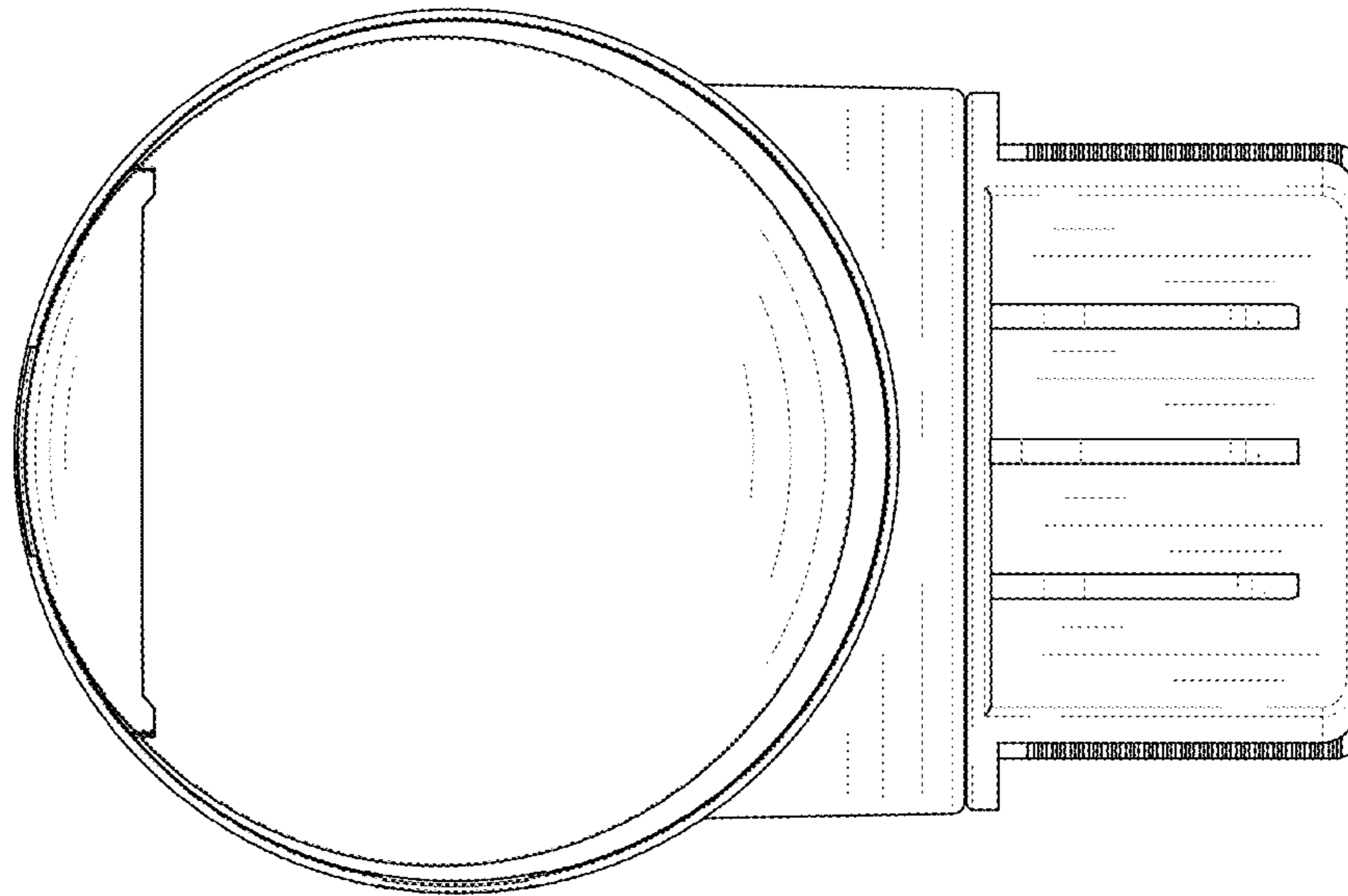
**FIG. 3**



**FIG. 4**

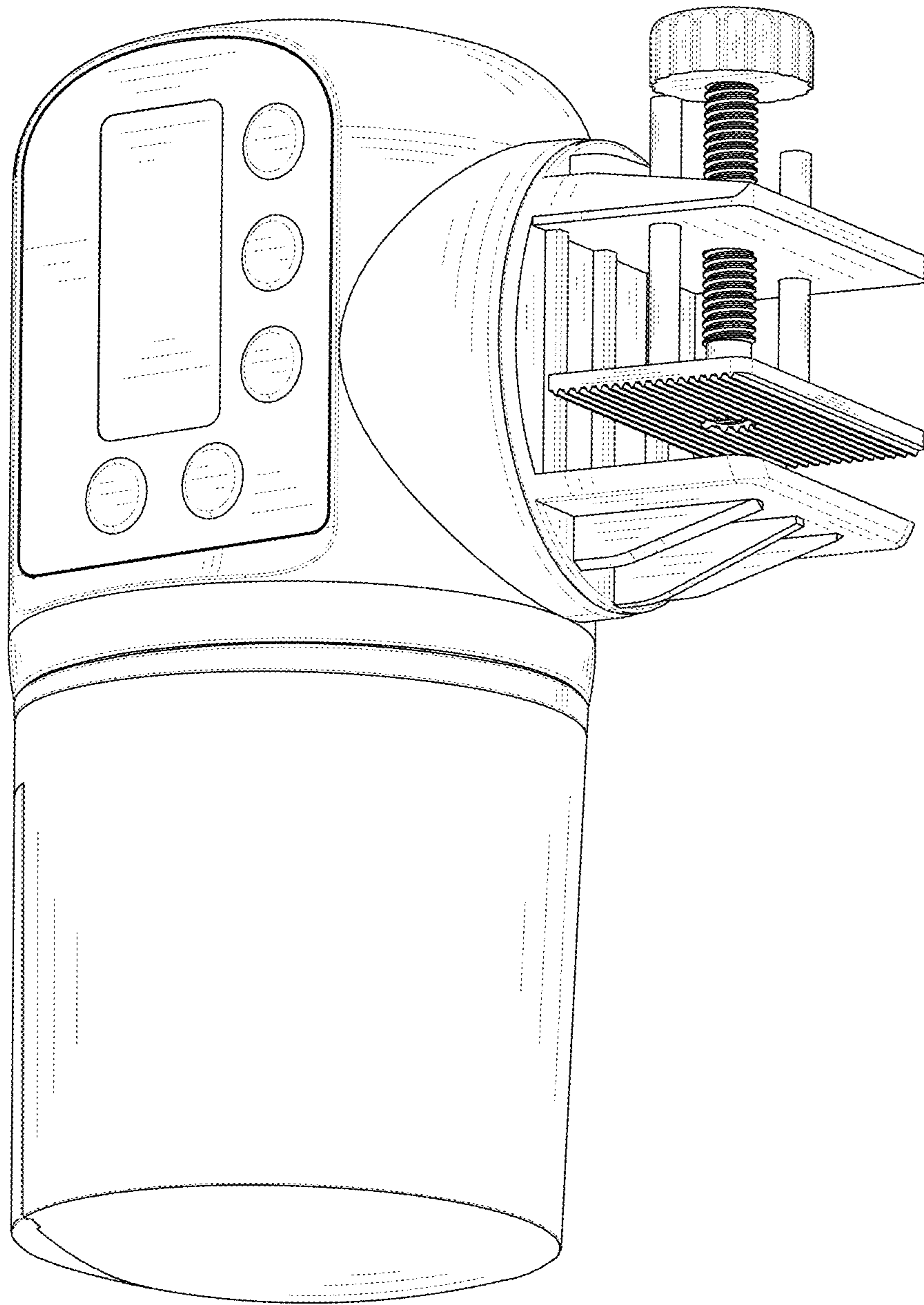


**FIG. 5**

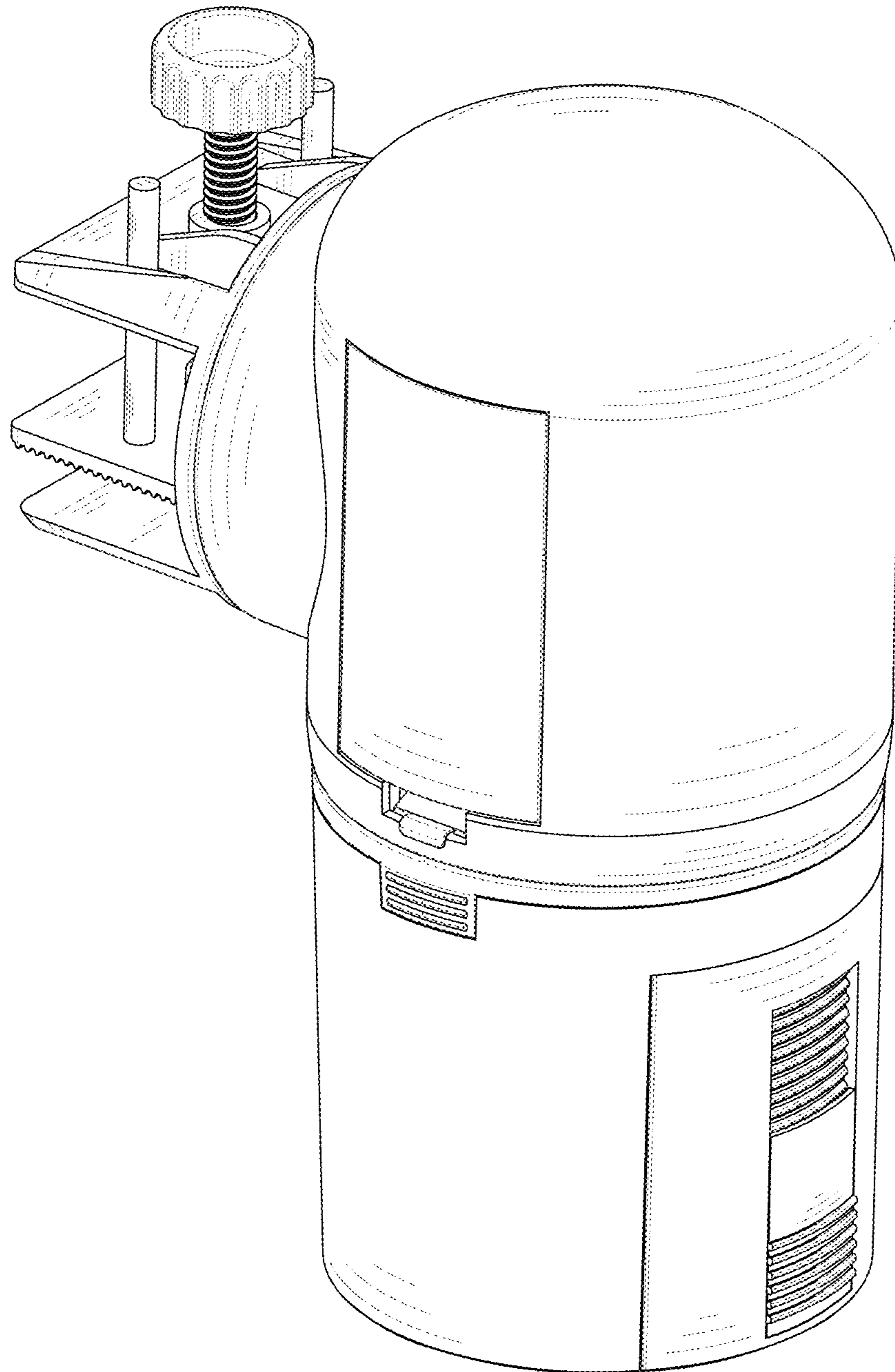


**FIG. 6**





**FIG. 7**



**FIG. 8**